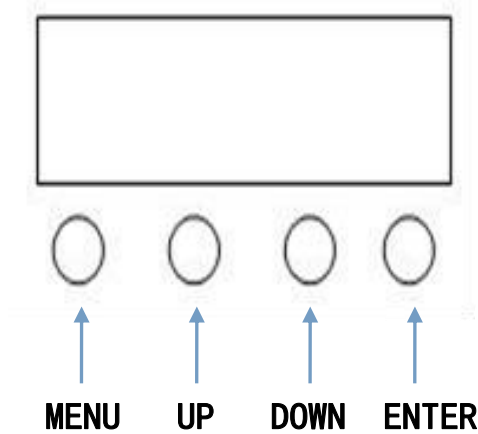


Haze Machine User Manual



Function:

Temp = show the current actual temperature value

Warm

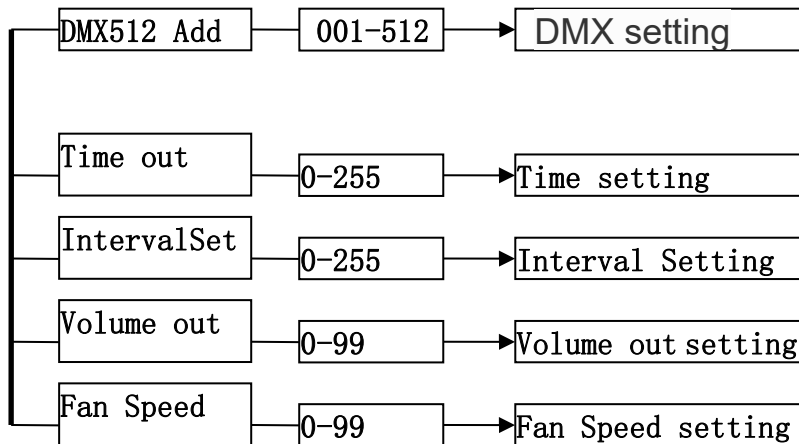
Ready

When dmx signal is not available, press UP key for regular quantitative work and press UP key to stop Press the DOWN key to spray smoke and press the DOWN key to stop.

2. Channel

Channel	Function	explain
1	spray smoke	0 OFF 1-255 spray smoke
2	FAN	0 Fan running at low speed 1-255 Fan speed regulation

Menu key description:



NOTE: Press the key to adjust each function of the menu key. When displaying the function, press **ENTER** first, then use **UP/DOWN** to adjust. After adjustment, press **ENTER** to confirm and save. For example, if you want to adjust the amount of smoke, when the screen displays **VOLUME OUT**, press **ENTER** first. At this time, the screen number will jump and you can press **UP/DOWN** to adjust. **UP** is to increase, **DOWN** is to decrease, and other functions are the same.

Remote control instructions:

- A** Spray smoke
- B** Stop
- CD** Reserved