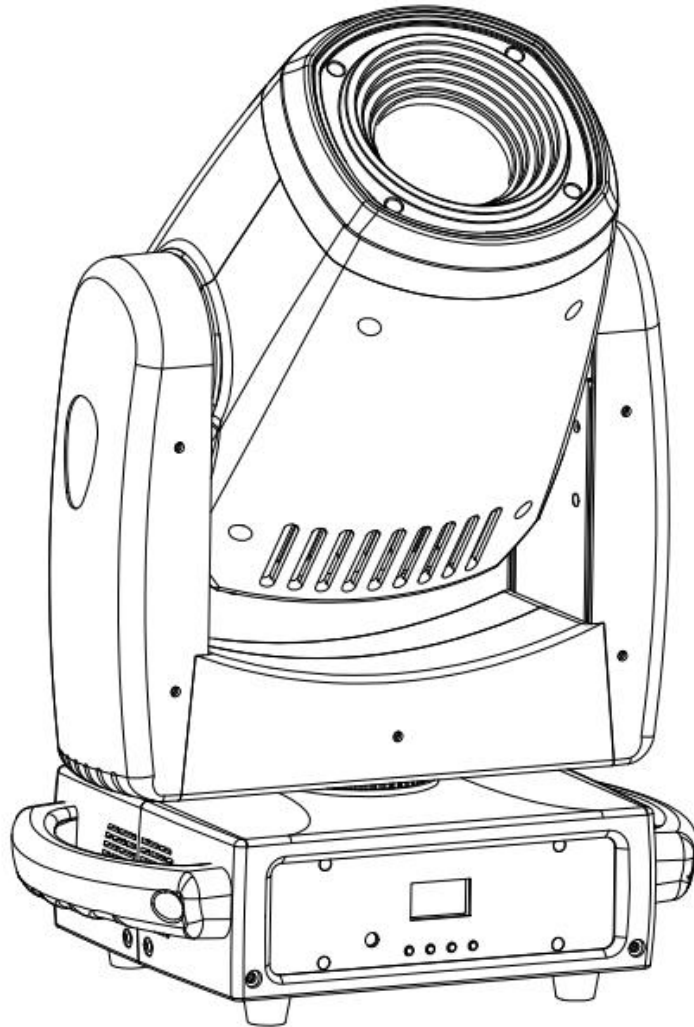


# 150W LED Spot Moving Head Light



## USER MANUAL



KEEP THIS MANUAL FOR FUTURE NEED

Thank you for your patronage. We are confident that our excellent products and service can satisfy you. For your own safety, please read this user manual carefully before installing the device.

In order to install, operate, and maintain the lighting safety correctly. We suggest that the installation and operation should be done by the verified technician and follow the instruction strictly.



**CAUTION!** Keep this device away from rain and moisture!



**CAUTION!** Unplug mains lead before opening the housing.

Every person involved with the installation, operation and maintenance of this device has to:

- be qualified
- follow carefully the instructions of this manual

## **1. INTRODUCTION**

Thank you for having chosen this professional moving head.

You will see you have acquired a powerful and versatile device.

Unpack the device. Inside the carton box you should find:

1. One XLR power cable
2. One user manual
3. Two pcs omega

Please check carefully that there is no damage caused by transportation.

Should there be any, please consult your dealer and don't install this device.

## **2 Mounting and installation**

**2.1 Cautions:** for added protection mount the fixtures in areas outside walking paths ,seating areas,or in areas were the fixture might be reached by unauthorized personnel.

Before mounting the fixture to any surface, make sure that the installation area can hold a minimum point load of 10 times the device's weight.

Fixture installation must always be secured with a secondary safety attachment ,such as an appropriate safety cable.

Never stand directly below the device when mounting ,removing ,or servicing the fixture, from a ceiling,or set on a flat level surface (see illustration below).Be sure this fixture is kept at least 0.5m (1.5ft) away from any flammable (decoration etc.)

Always use and install the supplied safety cable as a safe cable as safety measure to prevent accidental damage and /or injury in the event the clamp fails.

### **2.2 Mounting points:**

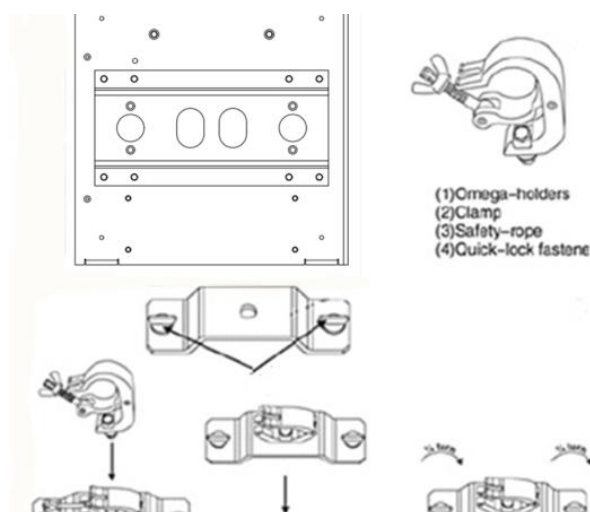
Overhead mounting requires extensive experience , including others calculating working load limits, a fine knowledge of the installation

material being used ,and periodic safety inspection of all installation material and the fixture. If you lack these qualifications ,  
Do not attempt the installation yourself ,improper installation can result in bodily injury.

Be sure to complete all rigging and installation procedures before connecting the main power cord to the appropriate wall outlet.

### 2.3 Clamp mounting :

The LED moving head provides a unique mounting bracket assembly that integrates the bottom of the base, the included ‘omega bracket’ and the safety cable rigging point in one unit (see the illustration below).When mounting this fixture to truss be sure to sere to secure an rated clamp to the included omega bracket using a M10 screw fitted through the center hole of the ‘omega bracket’.As an added safety measure be sure to attached at least one properly rated safety cable to the fixture using on of the safety cable rigging point integrated in the base assembly.



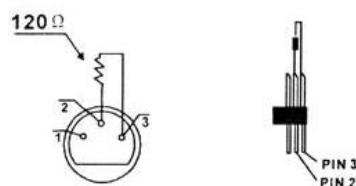
## 2.4 DMX-512 control connection

Connect the provided XLR cable to the female 3-pin XLR output of your controller and the other side to the male 3-pin XLR input of the moving head. You can chain multiple Moving head together through serial linking. The cable needed should be two core, screened cable with XLR input and output connectors. Please refer to the diagram below.



## 2.5 DMX-512 connection with DMX terminator

For installations where the DMX cable has to run a long distance or is in an electrically noisy environment, such as in a discotheque, it is recommended to use a DMX terminator. This helps in preventing corruption of the digital control signal by electrical noise. The DMX terminator is simply an XLR plug with a 120 resistor connected between pins 2 and 3, which is then plugged into the output XLR socket of the last fixture in the chain. Please see illustrations below.



### **3 TECHNICAL PARAMETERS**

Input voltage: AC100-240V 50/60Hz

Power Consumption: 180W

Power connection: blue and white power con

Signal connection: 3pin-XLR male / female

Light source: 150W high power white led

DMX channels: 18/13/11 channels

Color wheel: 7 colors + open

Static gobo wheel: 8 gobo+ open

Rotating gobo wheel: 6 gobo+ open

Effect Wheel: two Effect prism,one Rotation six prism,one Rotation five  
prism effect move , Bi-directional rotation

Beam Zoom angle  $9^{\circ}$  - $14^{\circ}$

Focus: Electronic focus

Movement:Pan/Tilt X axis:  $540^{\circ}$  ,Y axis  $190^{\circ}$

Control mode: DMX512 / Master-slave/ Auto run / Sound

Display: OLED display

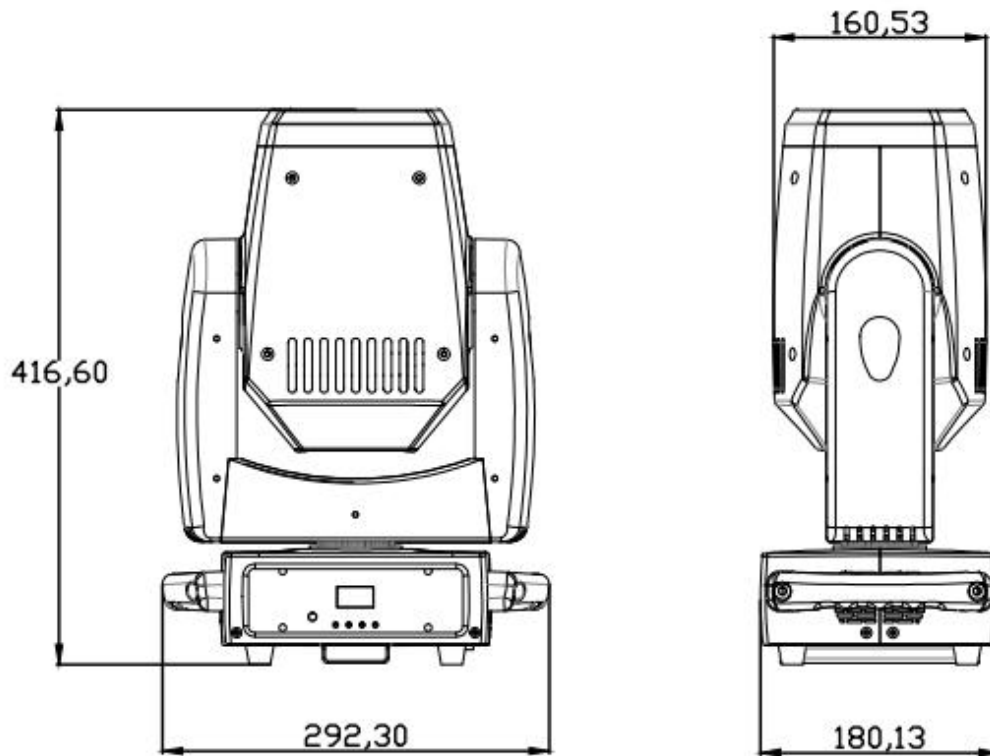
IP rate: IP20

Package size:485X355X280mm

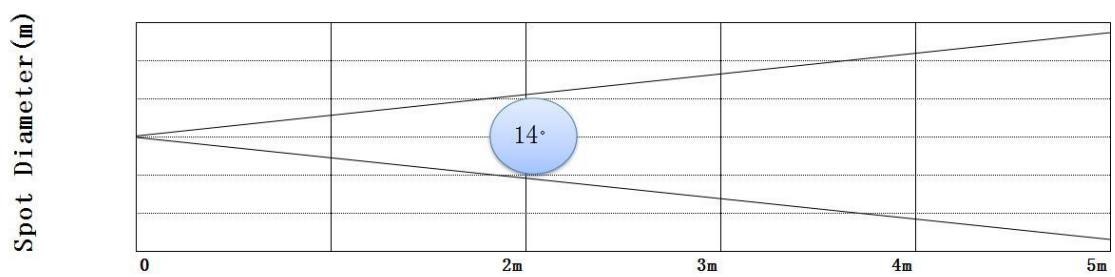
Net weight: 8.5KGS

Gross weight:10KGS

## Dimension

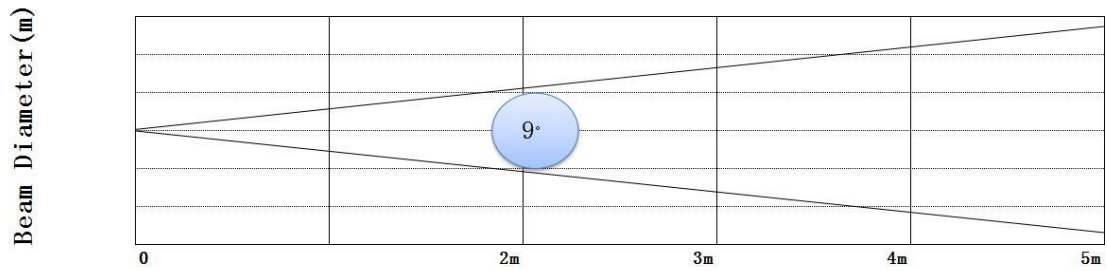


## Lumen Chart



## Lumen Chart

Distance (m)	2m	3m	5m
ALL (Lux)	23800	10600	5200



**Lumen Chart**

Distance (m)	2m	3m	5m
ALL (Lux)	28800	12800	6200

## 4 :MENU FUNCTION

DISPLAY MENU			
<b>1.DMX Address</b>	001-512		
<b>2.DMX Channel</b>	DMX 18 Ch		
	DMX 13 Ch		
	DMX 11 Ch		
<b>3.Running Mode</b>	DMX		
	Auto		
	Sound		
	Slave		
<b>4.Programs</b>	Program1		
	Program2		
	Program3		
	Program4		
	Program5		
	Program6		
	Program7		
	Program8		
<b>5.Settings</b>	Pan Rev	No	
		Yes	
	Tilt Rev	No	
		Yes	
	Display Rev	No	
		Yes	
	Sensitivity	0-100	
	Dmx Fail	OFF	
		Hold	
	Calibration	Password	



		All To Origin	Clear ALL(3s)
		Pan	.-127~128
		Tilt	.-127~128
		Dimmer	.=0~255
		Spot Color	.-127~128
		Fixed Gobo	.-127~128
		Wheel Gobo	.-127~128
		Focus	.-127~128
		Prism	.-127~128
		Zoom	.-127~128
		Factory Reset	Yes
No			
Reset Motor	Reset all Motor		
<b>6.System Info</b>	Software		
	Mode            DMX		
	Address        001		

## 5:Function Mode

### 5.1 DMX address setting

With this function, you can adjust the desired DMX-address via the Control Board.

Select via the encoder.

Press the encoder, adjust the DMX address by turning the encoder.

Press the encoder to confirm.

Press the Mode/Esc-button in order return to the main menu.

Set DMX address

Display the DMX 512 value of each channel

With this function you can display the DMX 512 value of each channel.

The display automatically

shows the channel with a value changing.

## 5.2 Run Mode

The LED moving head have 6CH and 17CH, can receive the International DMX signal.

In the **【Run】** mode, you can chose **【Master】** mode [ Sound Control ] [Master Auto Run ] [Master Sound Control ] and **【Slave】** mode.

## 5.3 Language Setting

With this function, you can choose the Language between English and Chinese.

## 5.4 Advanced Set up

Pan Reverse

With this function you can reverse the Pan-movement.

Tilt Reverse

With this function you can reverse the Tilt 1-movement.

Display Reverse

With this function you can reverse the Tilt 2-movement.

Reset

With this function, you can reset the device via the Control Board.You can select the different reset function by turning the encoder.

Factory Reset

With this function, you can select restore factory set for ON or OFF, the default is OFF.

## 5.5 System State

With this function, you can know the On Time ,Accumulative Time,  
Current Run Mode ,Temperature and Software Version.

### 5.6 Manual Control

With this function ,you can adjust the pan and tilt and the move speed,  
also adjust the dimmer ,strobe and color.

## 6: DMX CHANNELS

11CH	13CH	18CH	DMX Value	Function
1	1	1	000-255	Pan
		2	000-255	Pan fine
2	2	3	000-255	Tilt
		4	000-255	Tilt fine
		5	000-255	P/T Speed
3	3	6	000-255	Dimmer spot
4	4	7	000-009	Strobe open spot
			010-250	Strobe from slow to fast spot
			251-255	Strobe open spot
	5	8	000-004	Open(White)
			005-013	White/Color1
			014-022	Color1
			023-031	Color1/Color2
			032-040	Color2
			041-049	Color2/Color3
			050-058	Color3
			059-067	Color3/Color4
			068-076	Color4
			077-085	Color4/Color5
			086-094	Color5
095-103	Color5/Color6			

			104-112	Color6
			113-121	Color6/Color7
			122-130	Color7
			131-139	Open(White)
			140-195	Forward rainbow effect from fast to slow
			196-199	Rotation stop
			200-255	Backward rainbow effect from slow to fast
	6	9	000-007	open(Fixed Gobo)
			008-015	Gobo 1
			016-023	Gobo 2
			024-031	Gobo 3
			032-039	Gobo 4
			040-047	Gobo 5
			048-055	Gobo 6
			056-063	Gobo 7
		064-077	Gobo 8	
		078-085	Gobo 1 Shake slow to fast	
		086-093	Gobo 2 Shake slow to fast	
		094-101	Gobo 3 Shake slow to fast	
		102-109	Gobo 4 Shake slow to fast	
		110-117	Gobo 5 Shake slow to fast	
		118-125	Gobo 6 Shake slow to fast	
		126-133	Gobo 7 Shake slow to fast	
		134-147	Gobo 8 Shake slow to fast	
		148-199	Forward rainbow effect from fast to slow	
		200-203	Rotation stop	
		204-255	Backward rainbow effect from slow to fast	
	7	10	000-007	Open(Wheel Gobo2)
			008-017	Gobo1
			018-027	Gobo2
			028-037	Gobo3
			038-047	Gobo4
			048-057	Gobo5
			058-067	Gobo6
			068-077	Gobo1 Shake
			078-087	Gobo2 Shake
			088-097	Gobo3 Shake
			098-107	Gobo4 Shake
			108-117	Gobo5 Shake
			118-127	Gobo6 Shake
			128-189	Forward rainbow effect from fast to slow
			190-193	Rotation stop
	194-255	Backward rainbow effect from slow to fast		

	8	11	000-007	Stop
			008-129	Forward Gobo2 Rotation from fast to slow
			130-133	Stop
			134-255	Backward Gobo2 Rotation from slow to fast
5	9	12	000-255	Focus
6	10	13	000-255	Zoom
7	11	14	000-007	Open(White)
			008-099	Prism1
			100-130	Open(White)
			131-255	Prism2
8	12	15	000-007	Stop
			008-129	Forward Gobo2 Rotation from slow to fast
			130-133	Stop
			134-255	Backward Prism Rotation from fast to slow
9		16	000-024	No function
			025-046	Auto play 1
			047-068	Auto play 2
			069-90	Auto play 3
			091-112	Auto play 4
			113-134	Auto play 5
			135-156	Auto play 6
			157-178	Auto play 7
			179-200	Auto play 8
201-255	Color Gobo increasing sound sensitivity			
10		17	000-010	No function
			011-020	program 1
			021-030	program 2
			031-040	program 3
			041-050	program 4
			051-060	program 5
			061-070	program 6
			071-080	program 7
			081-090	program 8
			091-229	Sound active sensitivity from min to max increasing
			230-255	No function
11	13	18	000-230	No function
			231-240	Reset after 3 seconds
			240-255	No function





