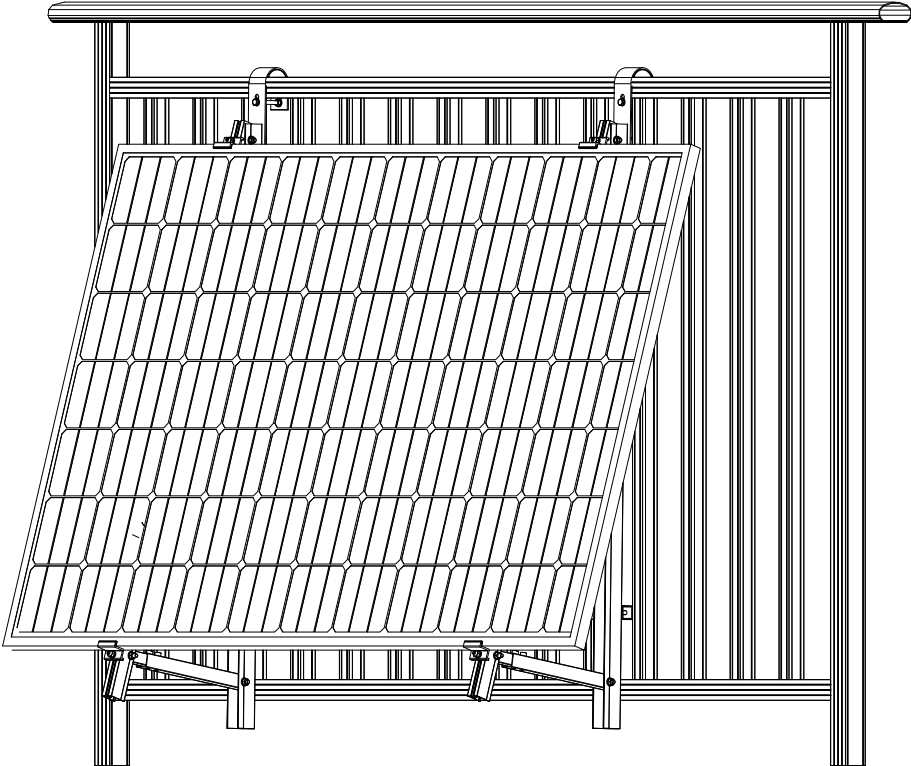


# Balcony Mounting System Installation Manual



# Content

Section 1 – Instructions for protection.....	2
1.1 Warning .....	2
Section 2 – Introduction of the balcony mounting system.....	3
2.1 Bill of Material.....	3
2.2 Effect Drawing.....	5
Section 3 – Installation Procedures.....	6
3.1 Hook Installation.....	6
3.2 The Main post and Sub post Installation.....	7
3.3 The Telescopic rod Installation.....	7
3.4 The Module Installation.....	8
3.5 The Cross arm Installation.....	10
3.6 The Hoop and Hook Installation.....	10
3.7 Torque of Bolts.....	11
Section 4 – Final assembly process.....	11
4.1 Tips for bolt installation.....	11
4.2 Check after installation.....	11
4.3 Daily maintenance.....	12

## Section 1 – Instructions for protection

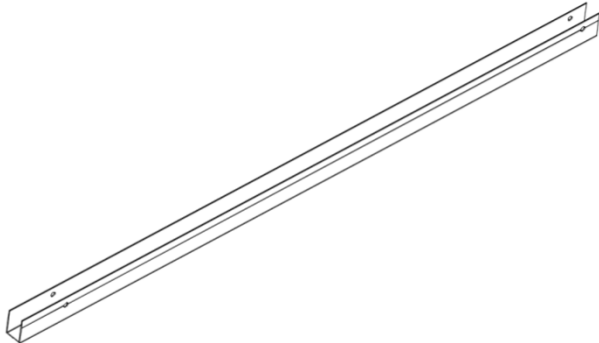
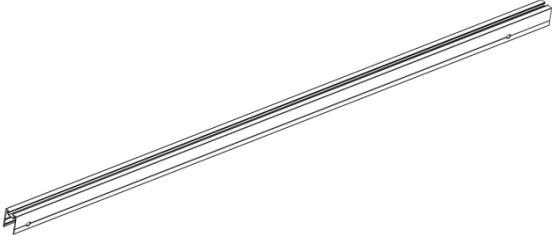
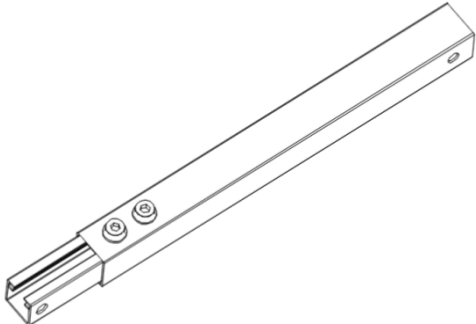
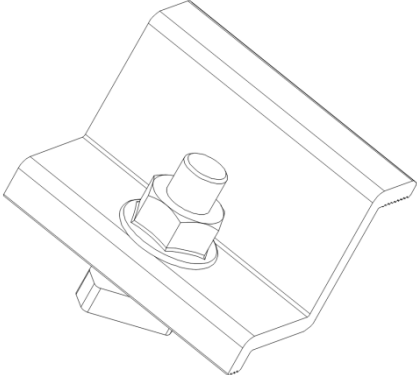
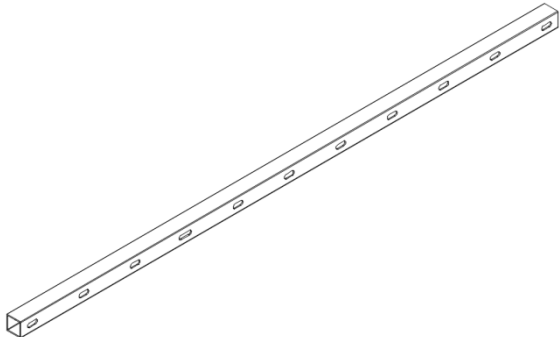
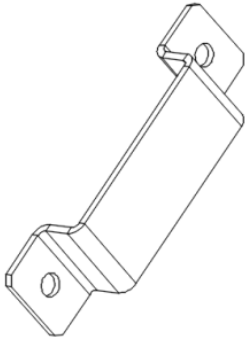
### 1.1 Warning

#### Warning

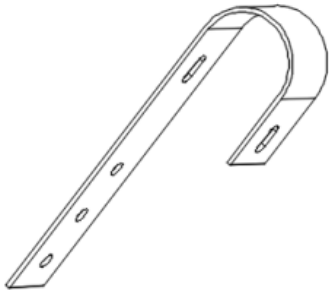
- The balcony mounting system should be far away from flammable substances. The installer shall: Prevent fire near flammable or flammable goods.
- When the fire has happened, you must first ensure the safety of the aluminum parts if allowed. The subsequent should be installed after inspection by a professional.
- The parts of the system have been treated superficially, so damage must be avoided during installation and transport.
- During installation, ensure the correct installation sequence, position and procedure, or the damage may have happened.
- The connection of components should always be kept in good condition to avoid slipping and damage.
- To prevent personal injury, the installer must take preventive measures before installation.
- In order to prevent problems and accidents, assembly work must follow the instructions manual.
- Do not install or operate the system if it is destroyed or contains too few components.
- Installers should take care of their own safety during installation and troubleshooting and falling objects to avoid injury or bruising.
- Ice, snow and dew on the surface of components should be removed before installation are disposed of on condition that their coatings are not destroyed.
- The friction surface of the screws should be cleaned before installation. No dirt such as e.g. droplets, mud or greasy dirt.

## Section 2 – Introduction of the balcony mounting system

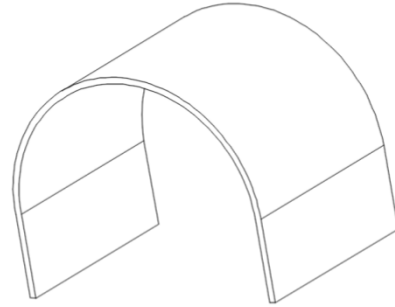
### 2.1 Bill of Material

Parts display and quantity	
<p>Main post×2</p> 	<p>Sub post×2</p> 
<p>Telescopic rod×2</p> 	<p>clamp×4</p> 
<p>Cross arm×1</p> 	<p>Hoop×2</p> 

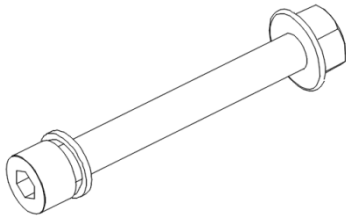
Hook×2



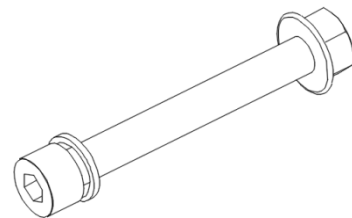
Rubber pad ×2



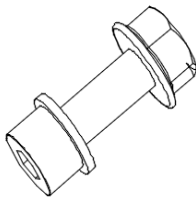
Screw set 6×M8\*90



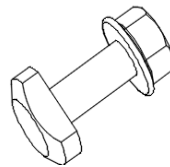
Screw set 8×M8\*50



Screw set 8×M8\*20



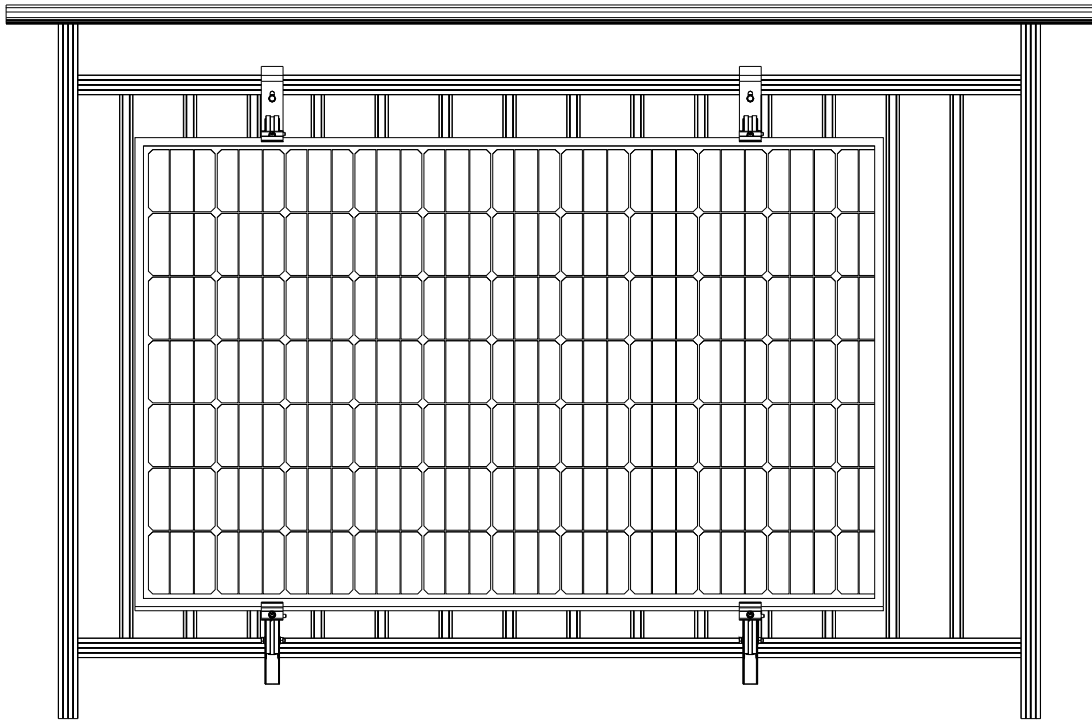
Screw set 6×M8\*25



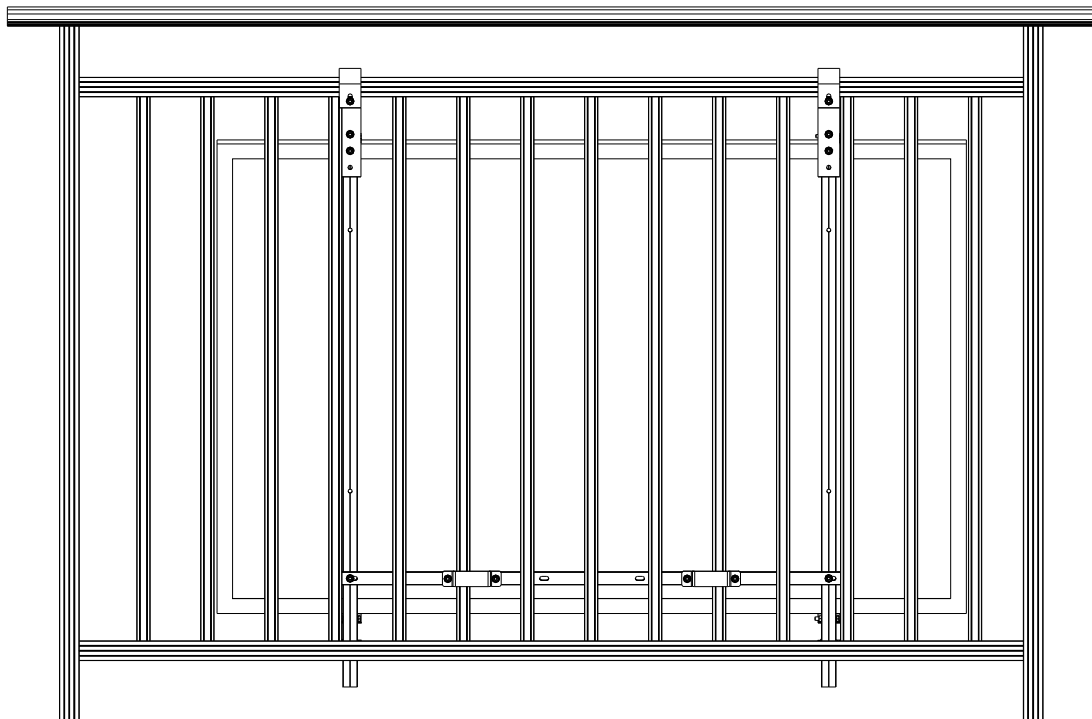
Casing pipe×2



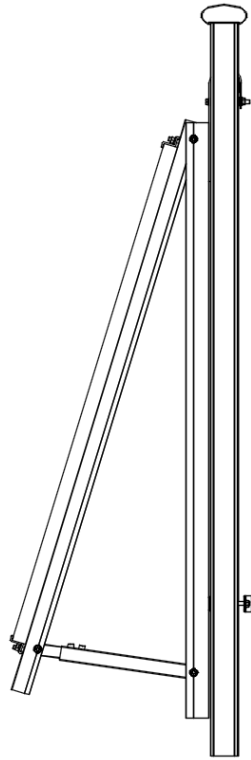
## 2.2 Effect Drawing



Front View



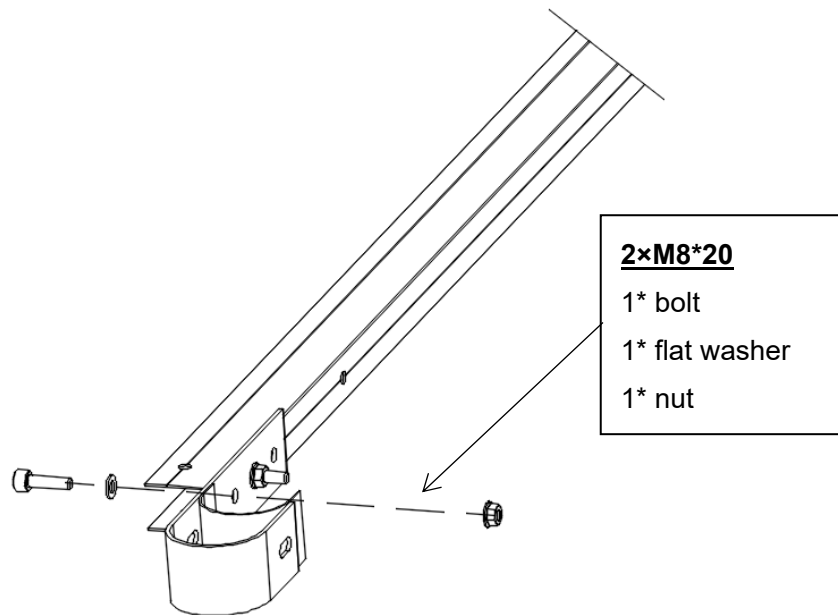
Rear View



Side view

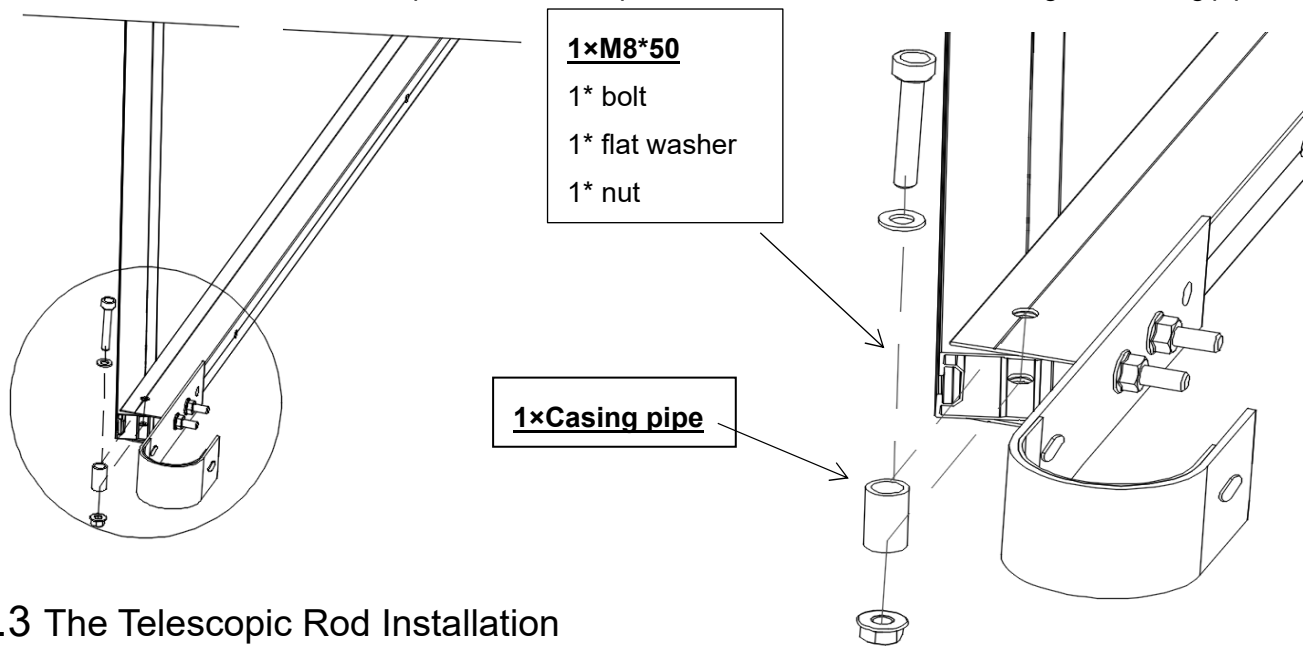
## Section 3 – Installation Procedures

### 3.1 Hook Installation



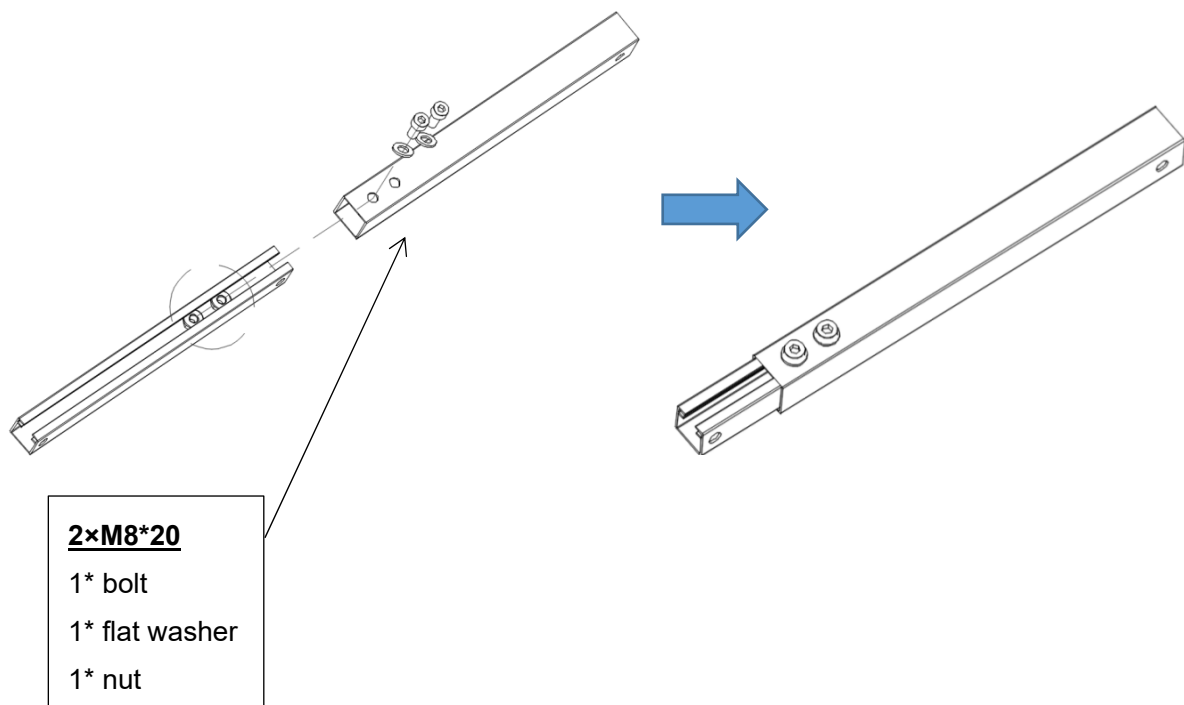
### 3.2 The Main post and Sub post Installation

At the connection between the main post and the sub post, use a set of M8 \* 50 bolt through the casing pipe.



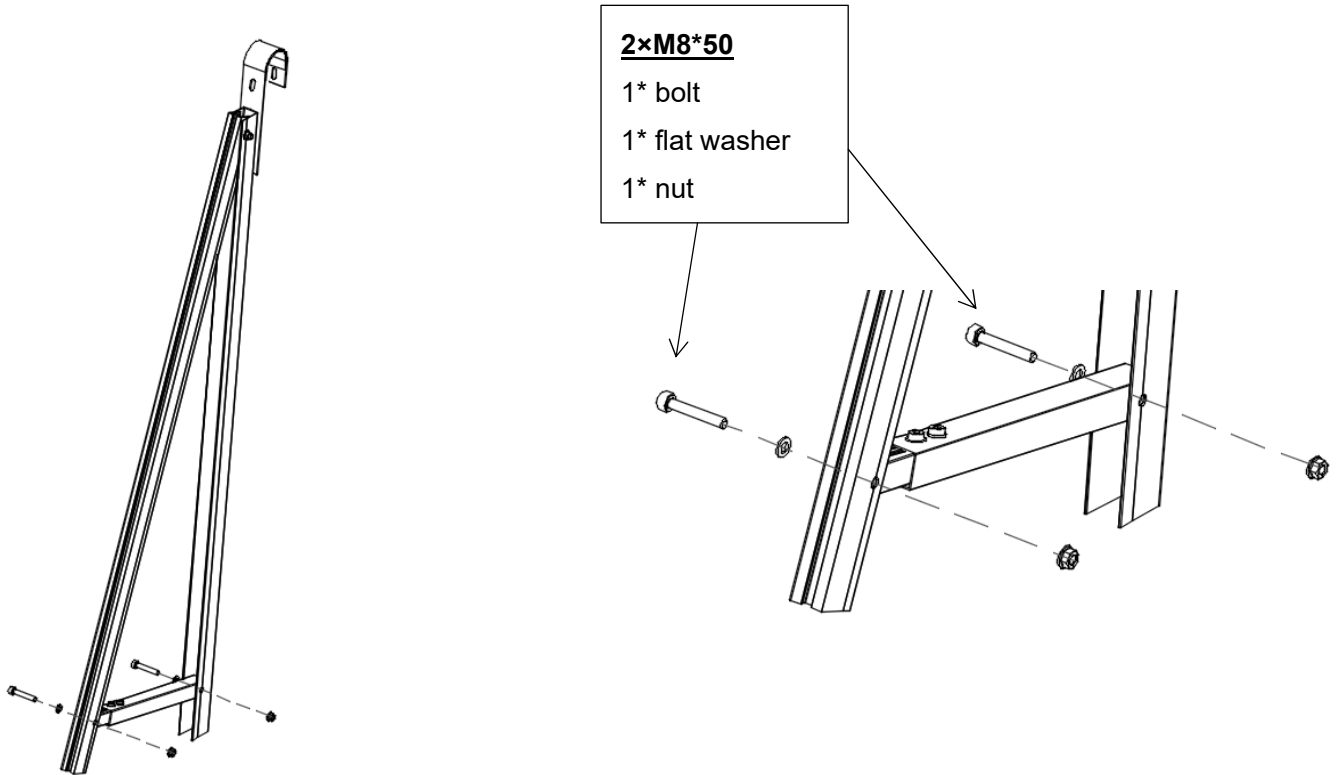
### 3.3 The Telescopic Rod Installation

The nut can slide in the guide rail to select the appropriate length to determine the angle of the rack .

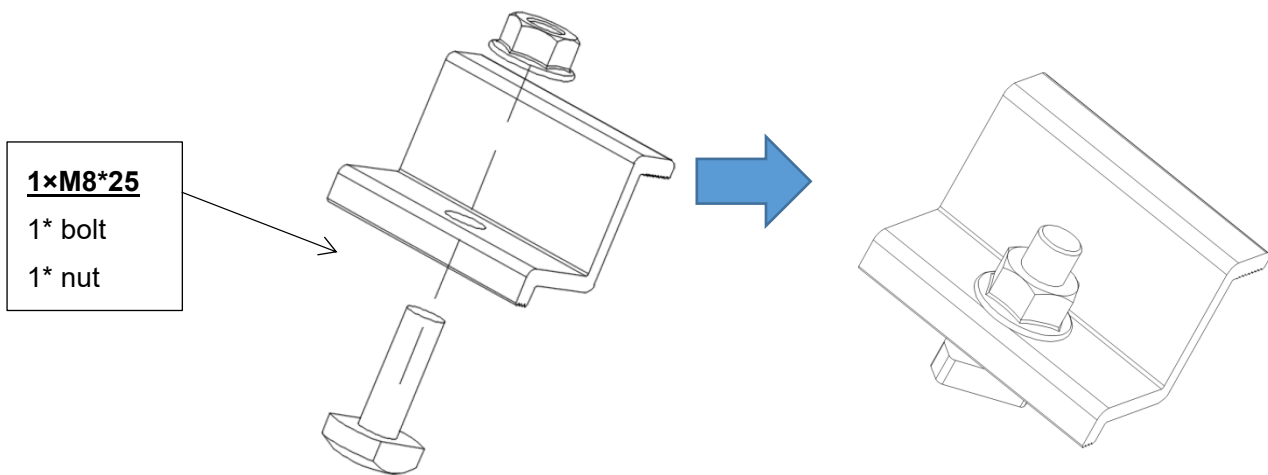


Install the telescopic rod on the main post and sub post with M8 \* 50 bolt set.



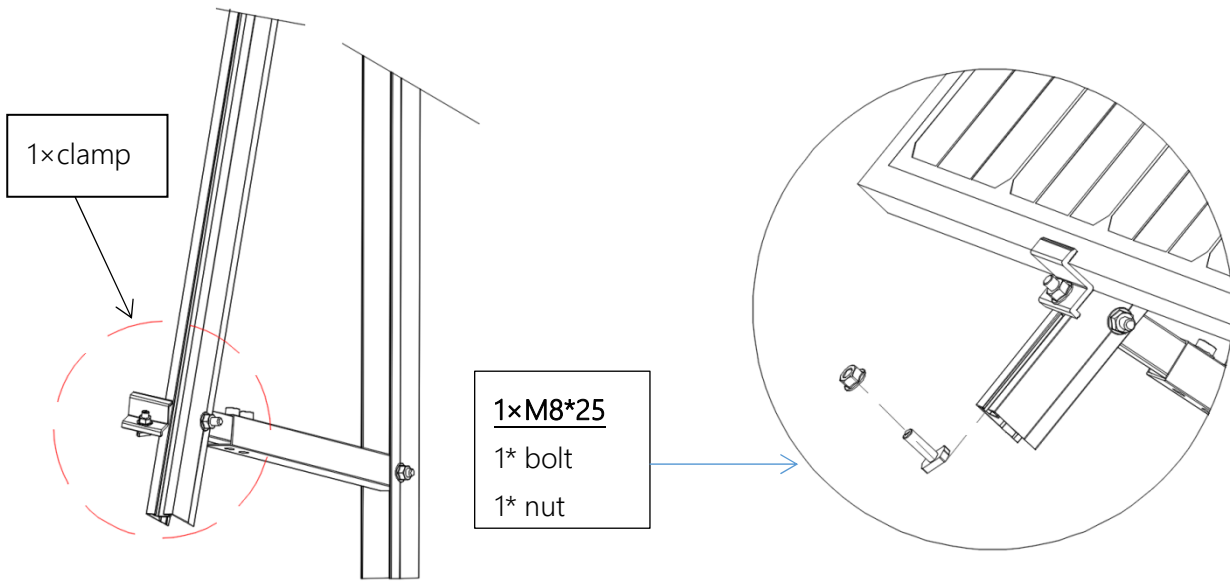


### 3.4 The Module Installation



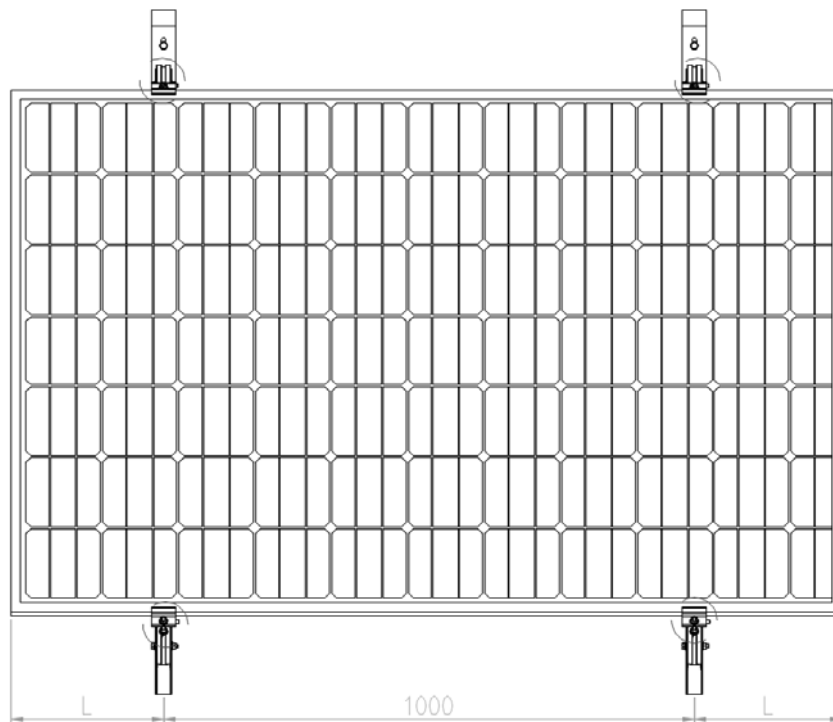
3.4.1 Install the clamp at the bottom of the sub post to prevent the module from sliding.

3.4.2 Install a group of bolts next to the lower side of the clamp to tighten the clamp to prevent slipping.



3.4.3 Place the module on the sub post, fix it around with clamp.

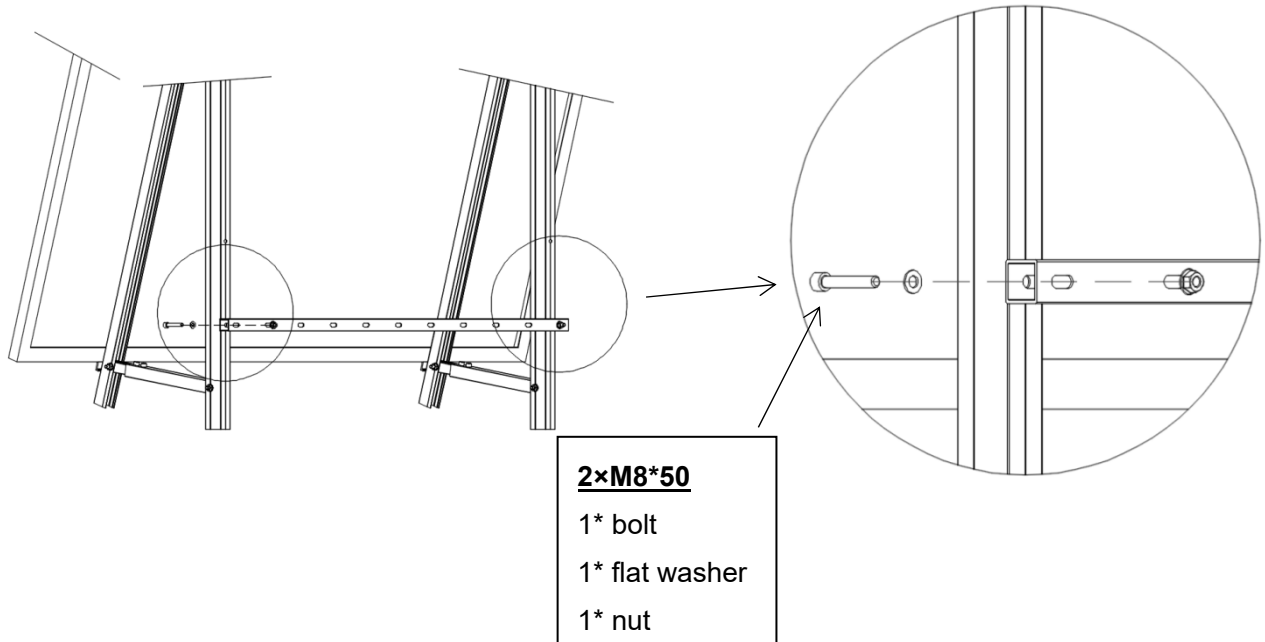
3.4.4 The post shall be uniformly arranged, and the position is shown in the below figure.



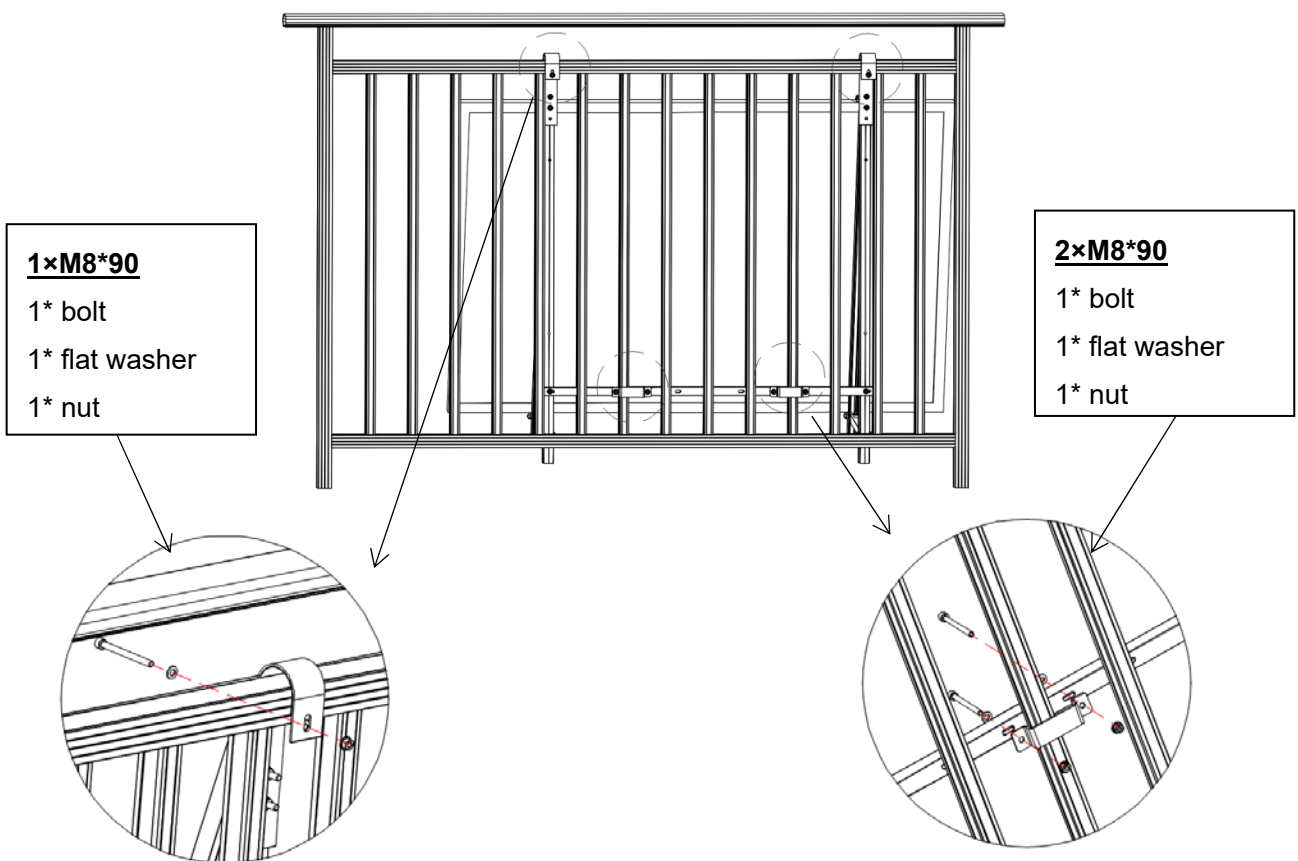
### 3.5 The Cross Arm Installation

\*The cross arm can increase the stability of the tripod and install the inverter on it.

3.5.1 Connect the cross arm to the main post through the M8\*50 screw set.



### 3.6 The Hoop and Hook Installation.



### 3.7 Torque of Bolts

Bolt	Torque(N*m)
M8*20	10
M8*25	10
M8*50	10
M8*90	10

## Section 4 – Final assembly process

### 4.1 Tips for bolt installation

<b>Tips for bolt installation</b>
<p>*Precautions for technical installation dimensions.</p> <p>The specific size of technical installation depends on the technical design drawings. This installation manual is only applicable to explain the installation method of the product.</p> <p>* Precautions when installing stainless steel fasteners.</p> <p>Reduce friction coefficient:</p> <ol style="list-style-type: none"> <li>1. Ensure that the thread surface is clean (for example, free of sand and dirt);</li> <li>2. It is recommended to apply water wax or add lubricant (e.g.butter, 40 # engine oil);</li> </ol> <p>Correct operation method:</p> <ol style="list-style-type: none"> <li>1. It must be tightened perpendicular to the thread axis Tendentious;</li> <li>2. During tightening, the force must be uniform and tightened .The torque shall not exceed the specified safety torque value;</li> <li>3. Use torque wrench or socket wrench as often as possible to avoid using adjustable wrench or electric wrench; If you use an electric wrench, try to slow down.</li> <li>4.Avoid using at high temperatures, do not turn quickly when using.</li> </ol>

### 4.2 Check after installation

<b>Check after installation</b>
<p>It must check the condition of all components and parts after completion of assembly or fixed assembly:</p> <p>*Check for damage.</p> <p>*Check if anything is forgotten during assembly.</p>

\*Check that all bolts are securely closed.

\*Check whether all assembled modules match.

\*Clean the construction site after assembly.

Warning: Before wiring, the structural condition of the installed system must be checked.

Before construction of junction box and other electrical equipment to be installed .The fixing system must be confirmed by the technician.

### 4.3 Daily maintenance

In order to ensure the reliable operation of the PV support and improve the safety of the equipment, a daily registration and inspection system is established in the daily operation and maintenance work.

**Daily inspection items list (example table)**

<b>item</b>	<b>content</b>	<b>time</b>	<b>result</b>	
Clamp	Whether the clamps are loose		checked exception	
			Check normal	
Connector	Whether the bolts are loose		checked exception	
			Check normal	
Stand	Whether the stand components are deformed		checked exception	
			Check normal	