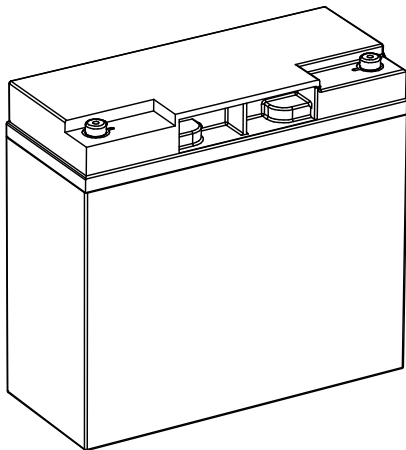




USER MANUAL



LiFePO₄ BATTERY PACK

Model: LFP1220

- Safer
- Longer Life
- Increased Flexibility
- Lighter Weight
- Higher Power
- Wider Temperature Range

PRODUCT SPECIFICATIONS

► Electrical Specifications

Nominal Voltage	12.8V
Nominal Capacity	20Ah (0.2C, 25°C)
Energy	256Wh
Resistance	≤50mΩ
Cell Type	LiFePO ₄

► Mechanical Specifications

Dimensions (L x W x H)	About 181*76.5*167mm
Net Weight	About 2.8kg
Terminal Type	M6
Case Material	ABS

► Charge Specifications

Charge Voltage	14.4V (14.6V Max)
Standard Charge Current	4A
Maximum Charge Current	10A

► Discharge Specifications

Maximum Continuous Discharge Current	20A
Discharge Cut-Off Voltage	About 10V

► Temperature Specifications

Charge Temperature	0°C to 50°C
Discharge Temperature	-20°C to 60°C
Storage Temperature	0°C to 45°C

► Compliance Specifications

Certifications	CE、UN38.3、FCC、UL1642(cells)&IEC62133(cells)
Shipping Classification	UN3480, CLASS9

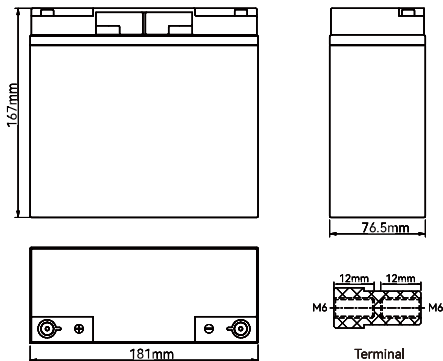
► Cycle Life

5000+ (0.2C 25°C 80%DOD)

ATTENTION

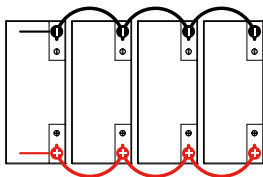
- ⚠ Please ensure that you have read this manual carefully before using this product.
- ⚠ Can not be used as starting battery.
- ⚠ Do not immerse the battery in water.
- ⚠ Do not let children touch or operate this product.
- ⚠ Do not let the product's environment temperature drop suddenly to avoid its internal condensation phenomenon.
- ⚠ Please do not expose this product to fire, heat source, direct sunlight or high temperature over 60°C.

DIMENSIONAL SPECIFICATIONS

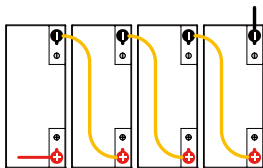


DIY BATTERY PACKS

► Modules in Parallel



► Modules in Series



- The model can support at most 4 pieces in series and 4 pieces in parallel.
- Before the connection, the voltage difference between the batteries should be $\leq 0.3V$.
- The total working current after series and parallel connection cannot exceed the working current specified by the single battery pack.

AFTER-SALES SERVICE

The warranty period is 12 months.

During the warranty period, our company will provide free maintenance and replacement parts for defects in material, technology and damage caused by non-human reasons.

During the warranty period, the following situations can not obtain free maintenance services:

- 1. Disassemble the product without permission.
- 2. Surface damage is not covered by the warranty.
- 3. The user does not use the product according to the instructions.
- 4. Failure or damage caused by accident, human, environmental factors (operation error, collision, unreasonable voltage, damp, etc.)
- 5. Product packaging and accessories are not under warranty.

Get 24/7 Assistance at



Visit: <https://goldenmate.afterservice.vip>
Email: goldenmate@afterservice.vip
Call: +1 (877) 591 5875 (Toll-free)

GOLDENMATE

Shandong Goldencell Power Technology Co., Ltd.