

Transom Mount Transducer

A-TD66P MODEL



Depth, speed, and temperature in one housing

- ▶ This transducer uses a transom mount installation method, Can measure water depth, speed, and temperature;
- ▶ Suitable for shallow or medium deep ocean fishing.

Applications

- *Inboard/outboard boats
- *Suitable for Fibreglass, Wood and Aluminium hulls

Specifications

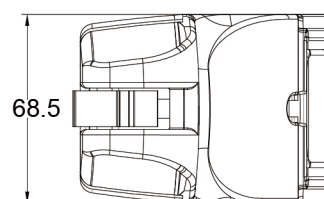
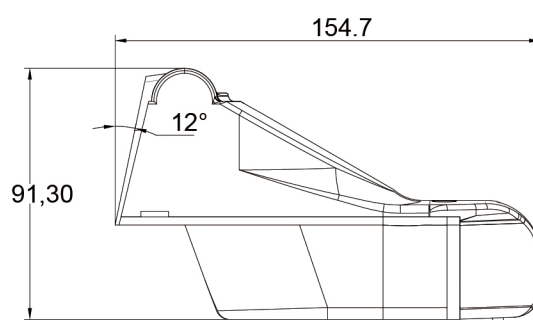
- *Frequency: 50KHz & 200KHz
- *Power: 600W
- * Material: Plastic
- * Cable Length: 8m
- * Mount: Transom
- * Beam Width: 45° @ 50kHz, 11° @ 200kHz

→Notice: Specifications may be subject to change without notice.



NANTONG SAIYANG ELECTRONICS CO.,LTD.

Dimensional Drawings



www.ova.technology