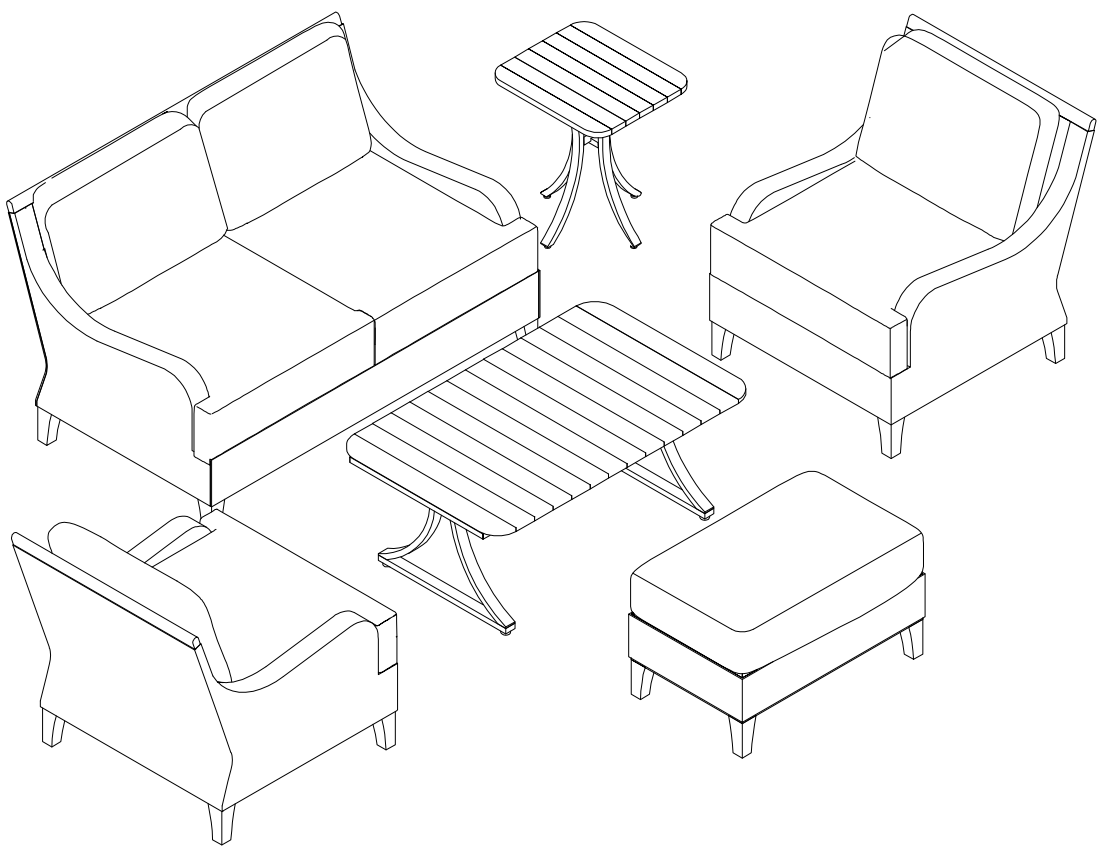


# Higreen

VERSION 1.1

# Outdoor

## Assembly Instructions



# Amigo

Collection  
0170A

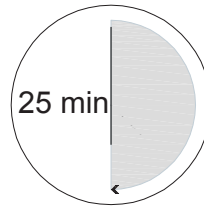
# Higreen Outdoor

## ASSEMBLY INSTRUCTIONS

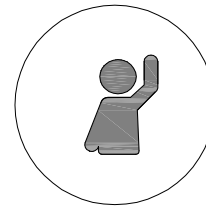
Read these instructions carefully and keep for future reference. Refer to parts inventory for guidance, and ensure you have all pieces before starting.

When assembling, place all parts on a soft, clean, and flat surface such as a carpet to prevent scratches.

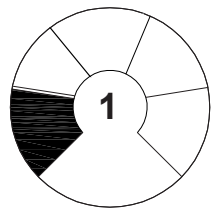
If you're having difficulty, our friendly Customer Care team is always here to help. email us at [Higreen-outdoor@outlook.com](mailto:Higreen-outdoor@outlook.com).



TIME

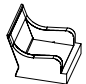
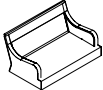








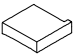
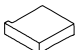


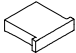




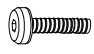




# OF PEOPLE



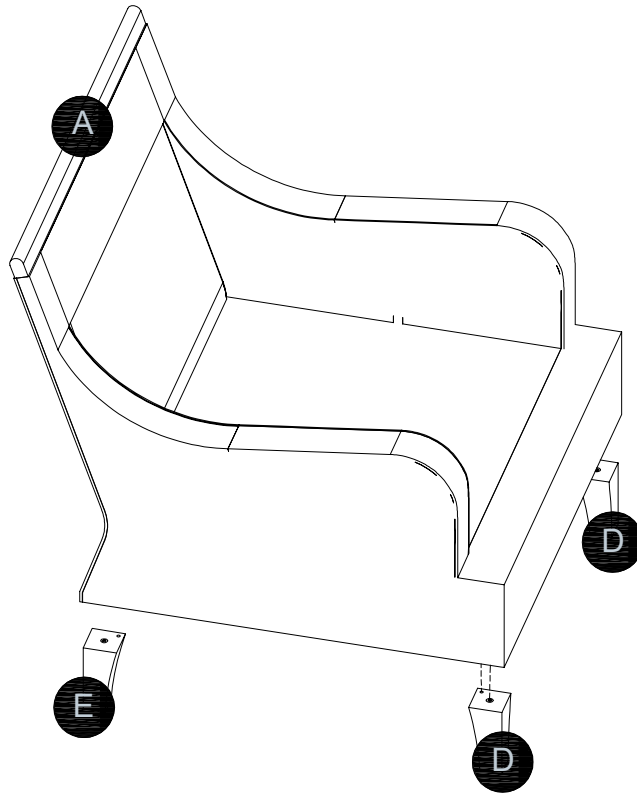
DIFFICULTY

**!** Hardware may loosen over time, check the bolts regularly and tighten if necessary.

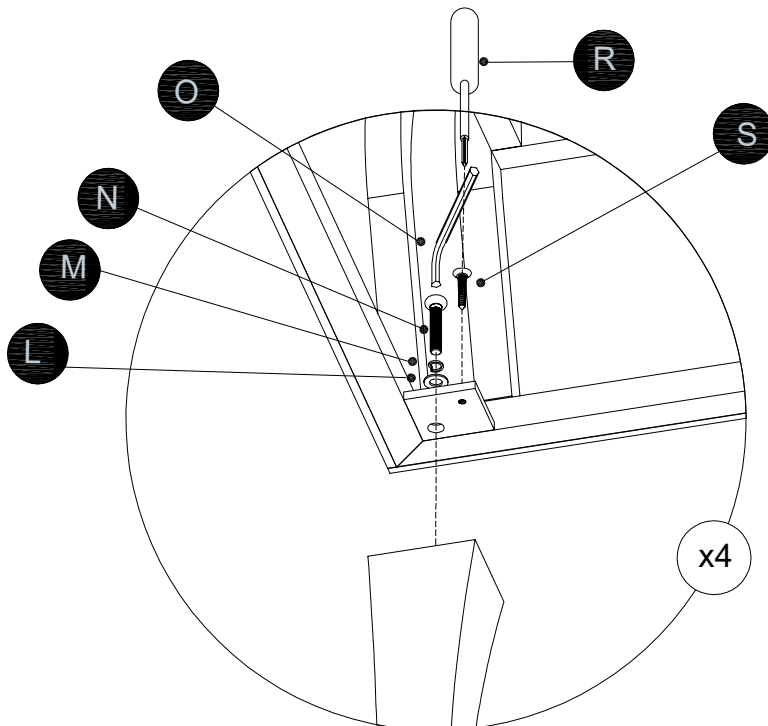
PARTS INVENTORY			
ID	DESCRIPTION		QTY
<b>A</b>	LOUNGE CHAIR SECTION		2
<b>B</b>	LOVESEAT SECTION		1
<b>C</b>	OTTOMAN SECTION		1
<b>D</b>	SOFA FRONT LEG/OTTOMAN LEG		10
<b>E</b>	SOFA BACK LEG		6
<b>F</b>	TABLE TOP		1
<b>G</b>	TABLE LEG		2
<b>H</b>	SIDE TABLE TOP		1
<b>I</b>	SIDE TABLE LEG 1		1
<b>J</b>	SIDE TABLE LEG 2		1
<b>V</b>	LOVESEAT SEAT CUSHION LEFT		1
<b>W</b>	LOVESEAT SEAT CUSHION RIGHT		1

PARTS INVENTORY CONT.			
ID	DESCRIPTION		QTY
<b>X</b>	LOUNGE CHAIR SEAT CUSHION		2
<b>Y</b>	OTTOMAN CUSHION		1
<b>Z</b>	BACK CUSHION		4
<b>L</b>	M8 WASHER		16
<b>M</b>	M6 WASHER		13
<b>N</b>	M8 × 25MM BOLT		16
<b>P</b>	M6 × 40MM BOLT		1
<b>Q</b>	M6 × 20MM BOLT		12
<b>O</b>	ALLEN KEY		1
<b>S</b>	ALLEN KEY		1

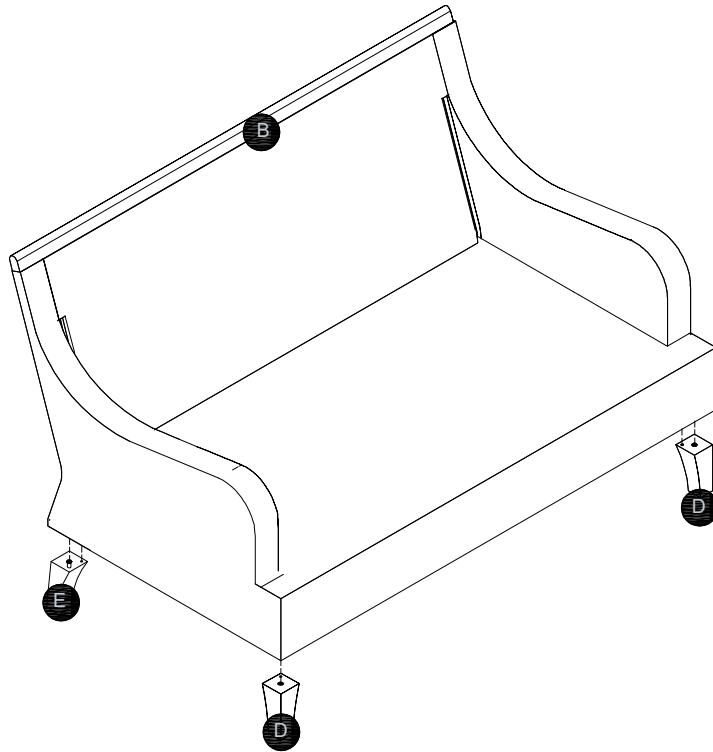
1



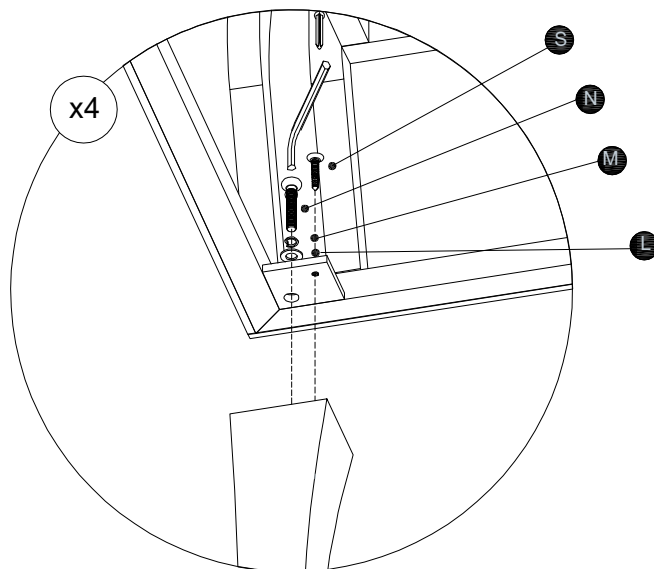
! Secure bolts to SOFA FRONT/BACK LEG (D/E) on the underside of LOUNGE CHAIR SECTION(A).



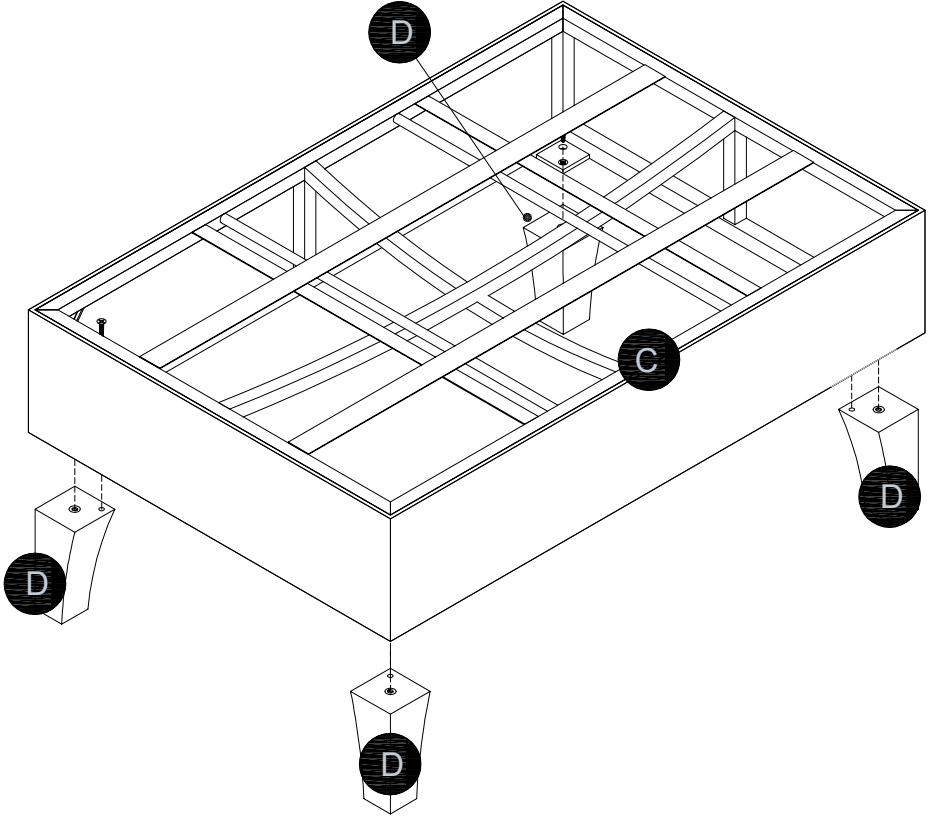
2



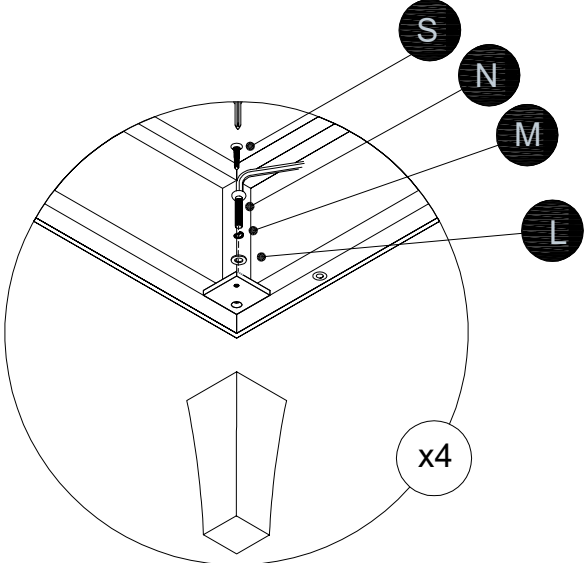
① Secure bolts to SOFA FRONT/BACK LEG (D/E) on the underside of LOVESEAT SECTION (B).



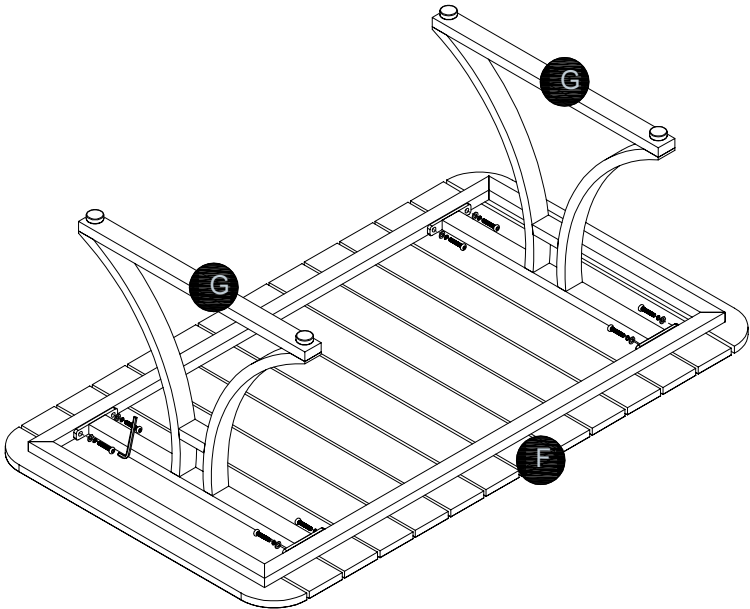
3



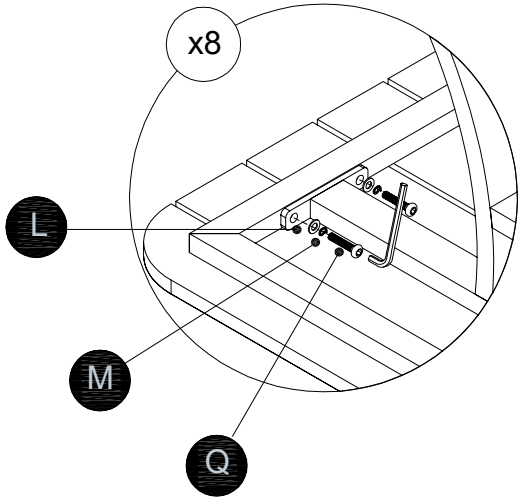
! Secure bolts to OTTOMAN LEG(D)  
on the underside of OTTOMAN SECTION (C).



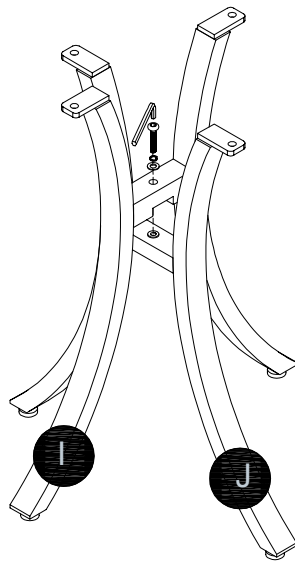
4



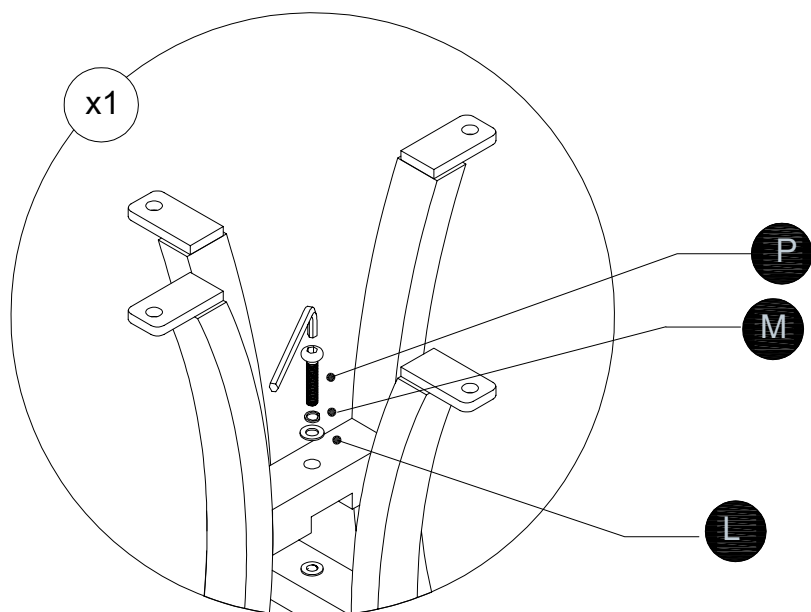
! ATTACH TABLE LEG (G) TO TABLE TOP(F) WITH M8/6 WASHER AND M6 × 20MM BOLT (L)(M)(Q).



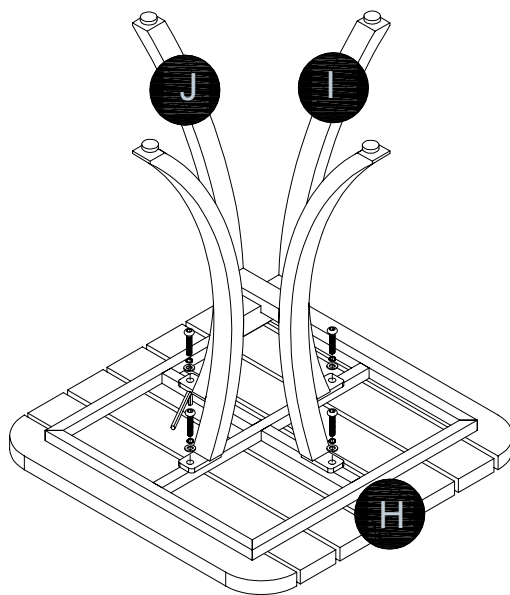
5



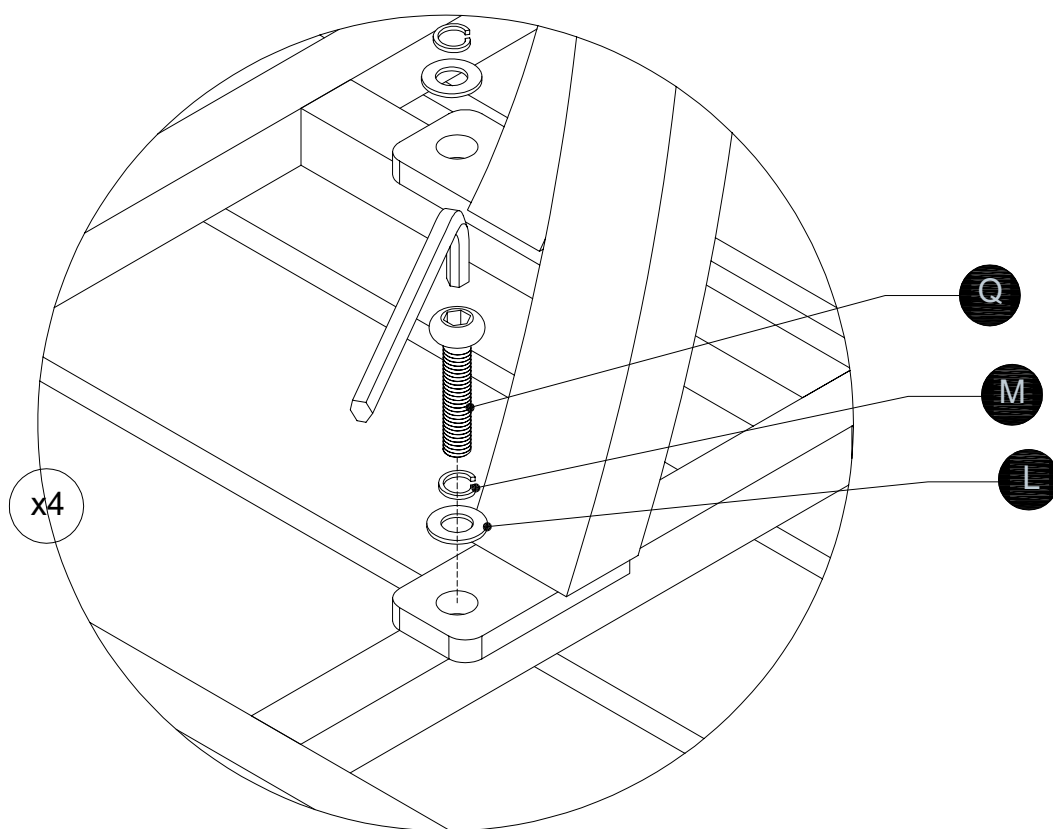
! ATTACH SIDE TABLE LEG 1 (I) TO SIDE TABLE LEG 2 (J) WITH M8/6 WASHER AND M6 × 40MM BOLT(L)(M)(P).



6



! Attach SIDE TABLE LEG 1&2 (I/J) to SIDE TABLE TOP(H) with M6/8 WASHER and M6 × 20MM BOLT(Q)(M)(L).





7

