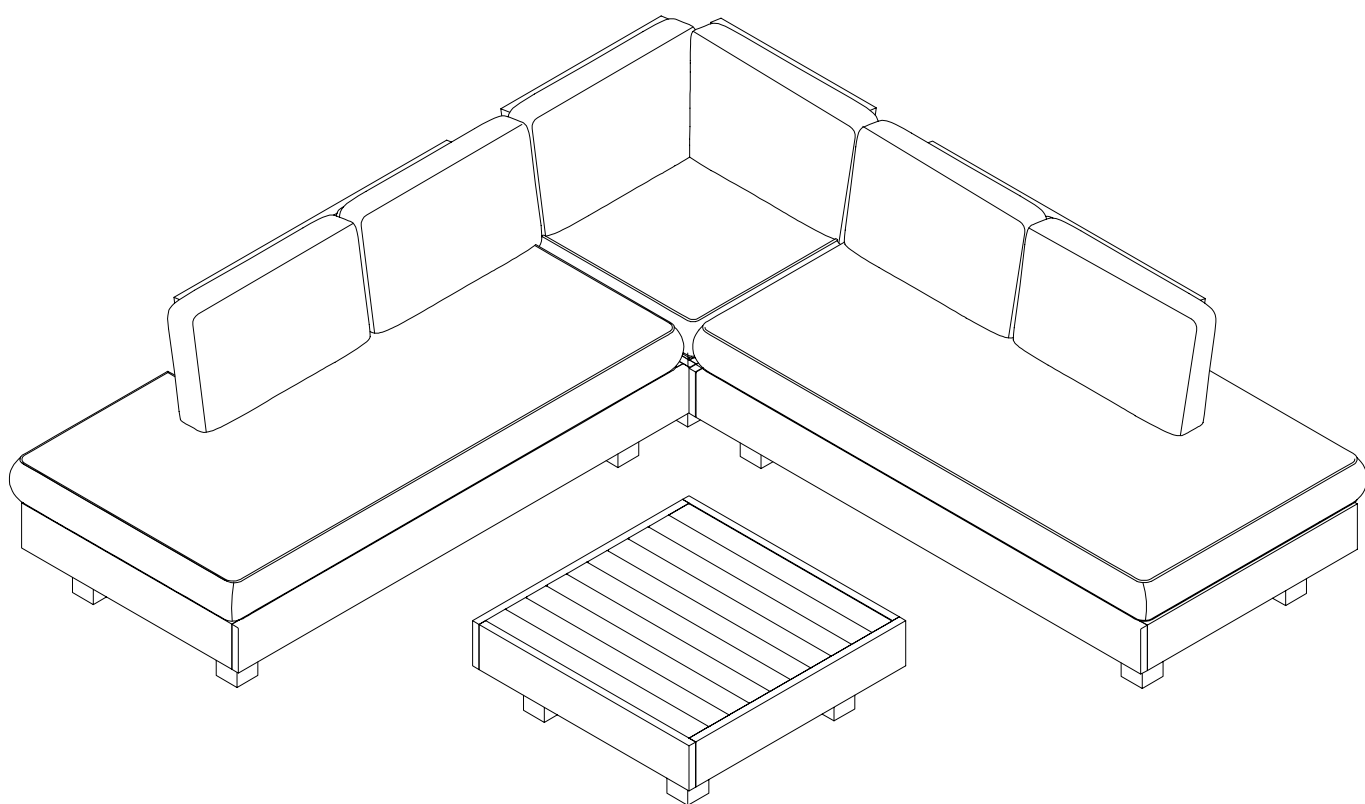


Higreen Outdoor

VERSION 1.1

Assembly Instructions



Alden

Collection

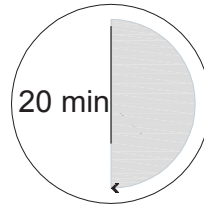
0001

ASSEMBLY INSTRUCTIONS

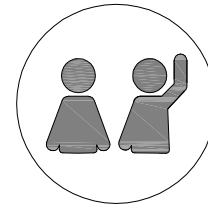
Read these instructions carefully and keep for future reference. Refer to parts inventory for guidance, and ensure you have all pieces before starting.

When assembling, place all parts on a soft, clean, and flat surface such as a carpet to prevent scratches.

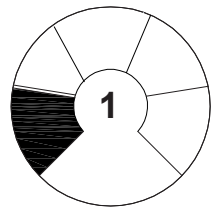
If you're having difficulty, our friendly Customer Care team is always here to help. email us at Higreen-outdoor@outlook.com.



TIME

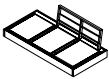

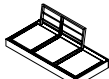
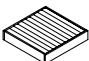
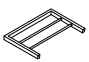
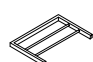




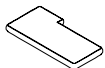








OF PEOPLE



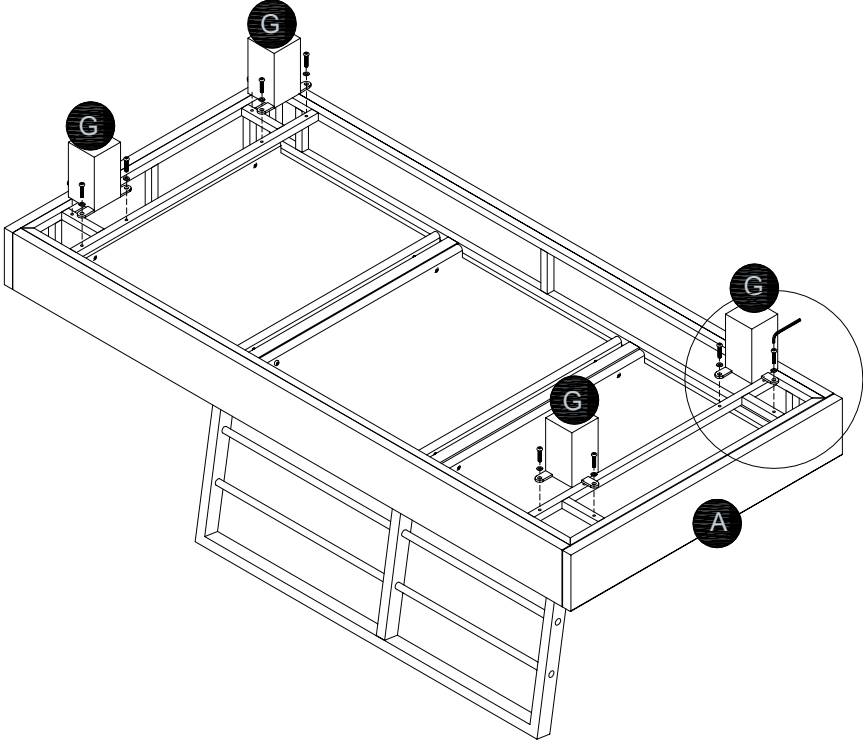
DIFFICULTY

! Hardware may loosen over time, check the bolts regularly and tighten if necessary.

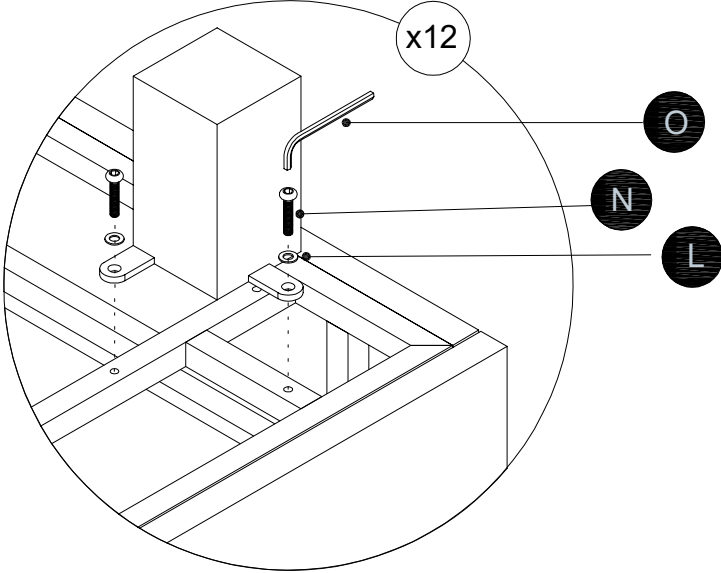
PARTS INVENTORY			
ID	DESCRIPTION		QTY
A	RIGHT SIDE SECTION		1
B	CORNER SECTION		1
C	LEFT SIDE SECTION		1
D	TABLE TOP		1
E	CORNER SECTION SMALL BACKREST		1
F	CORNER SECTION LARGE BACKREST		1
G	SOFA/TABLE LEG		16
W	BACK CUSHION		6

PARTS INVENTORY CONT.			
ID	DESCRIPTION		QTY
X	RIGHT SEAT CUSHION		1
Y	CORNER SEAT CUSHION		1
Z	LEFT SEAT CUSHION		1
S	M8 x 40MM BOLT		4
T	M8 WASHER		4
L	M6 WASHER		48
N	M6 x 20MM BOLT		48
O	M6 ALLEN KEY		1
P	M8 ALLEN KEY		1

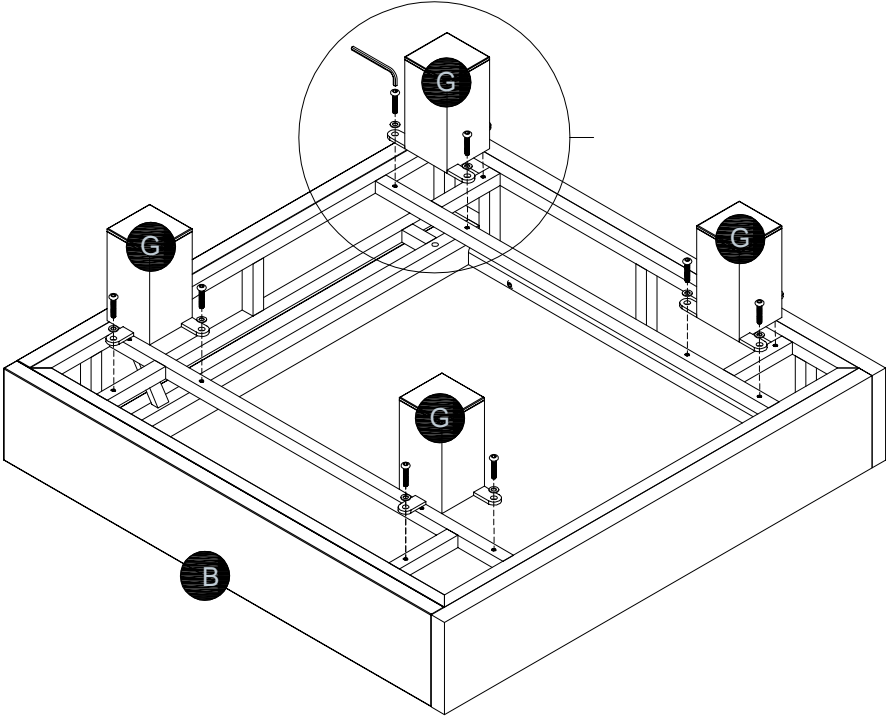
1



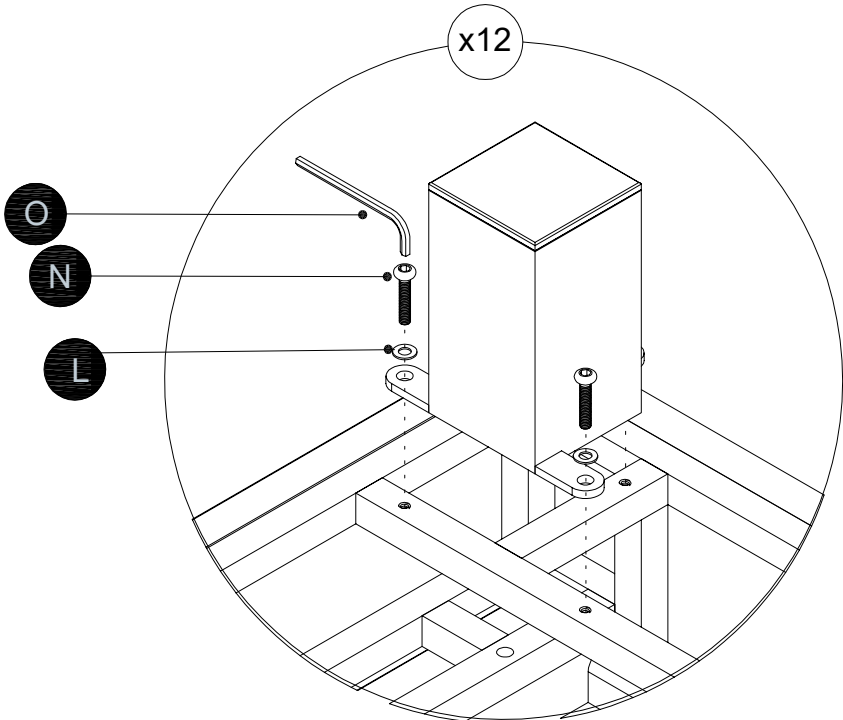
! Attach SOFATABLE LEG (G) to RIGHT SIDE SECTION (A) .



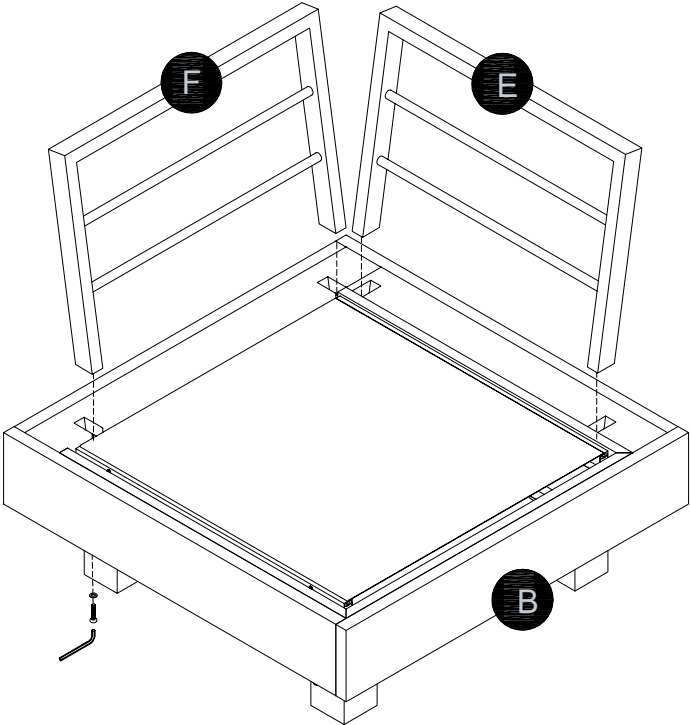
2



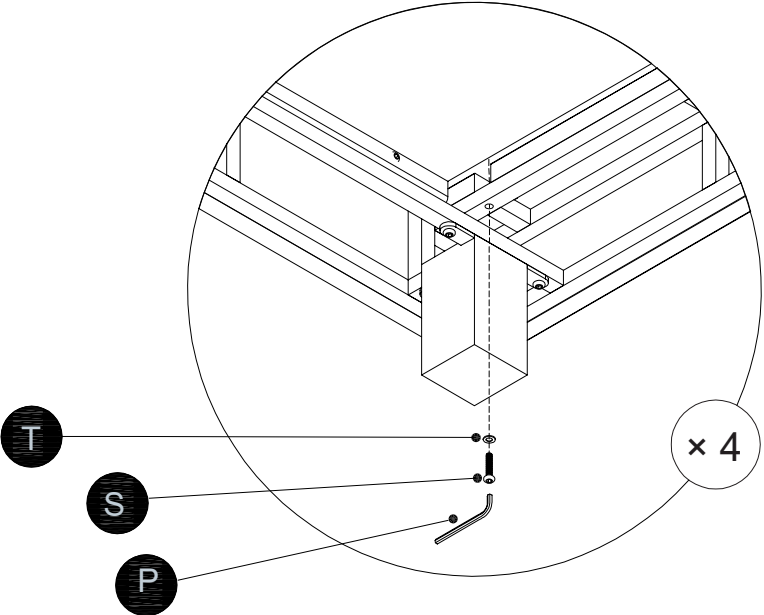
! Attach SOFA/TABLE LEG (G) to CORNER SECTION (B).



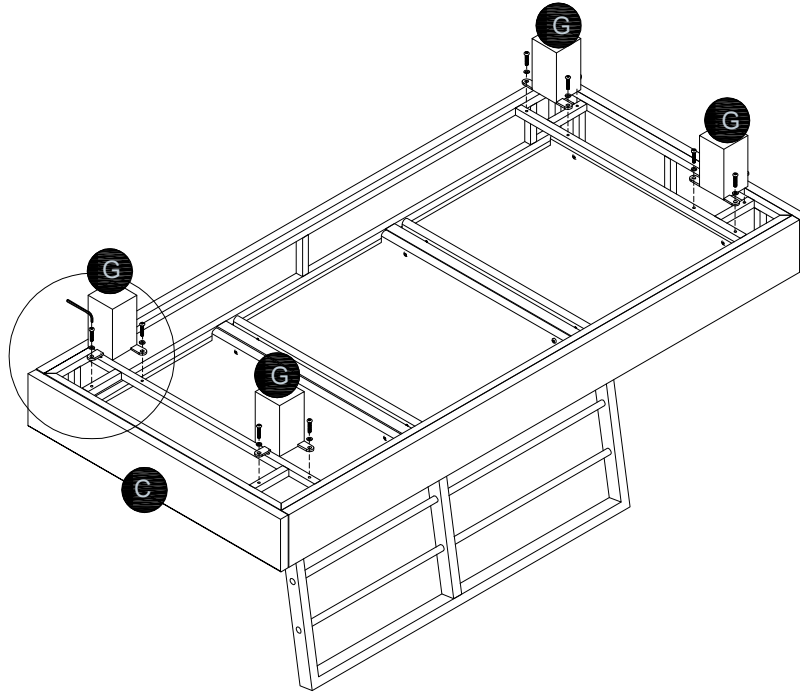
3



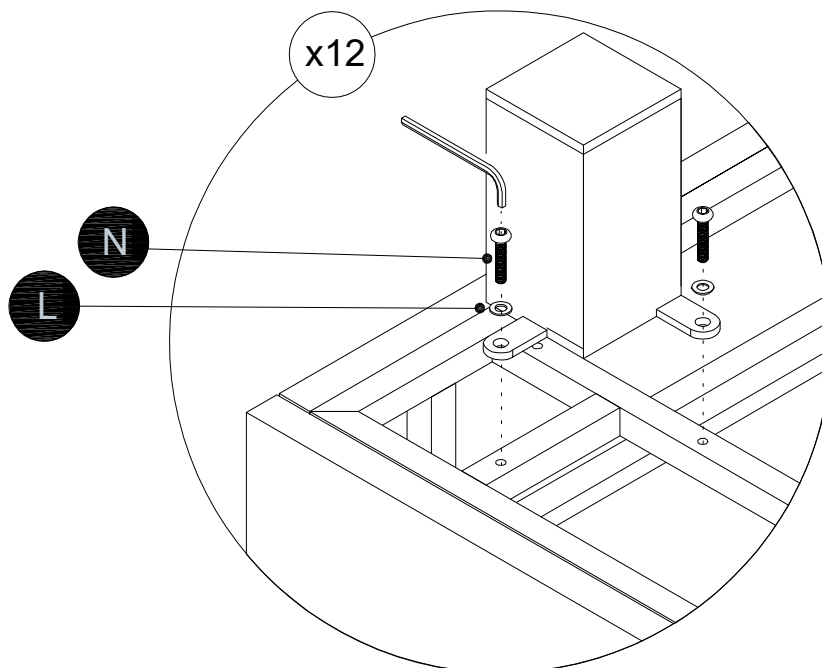
! Secure bolts to CORNER SECTION SMALL/LARGE BACKREST(F/E) on the underside of CORNER SECTION (B).



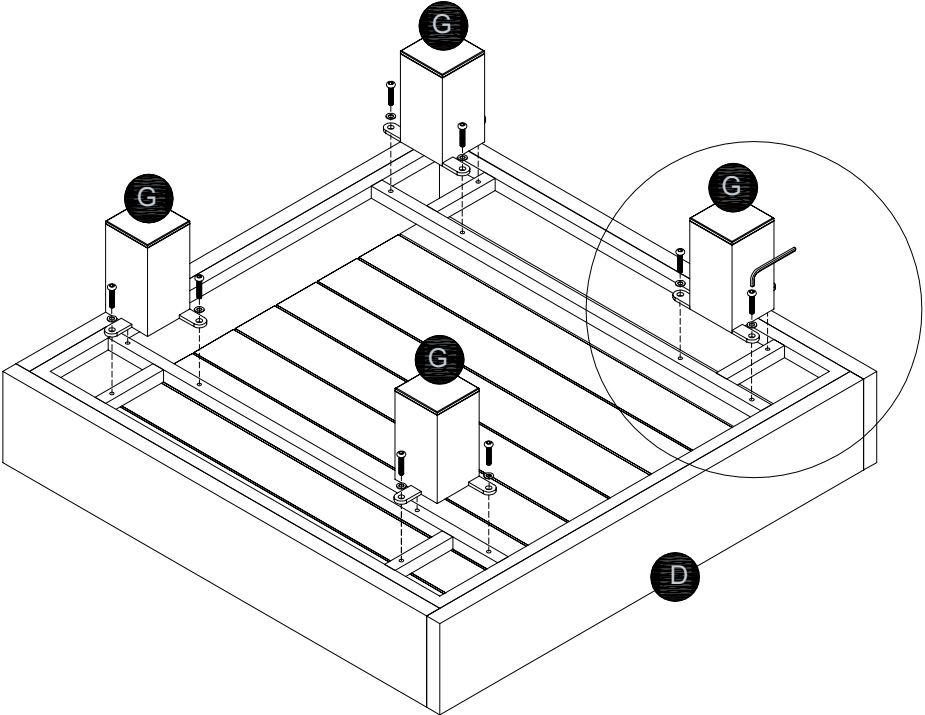
4



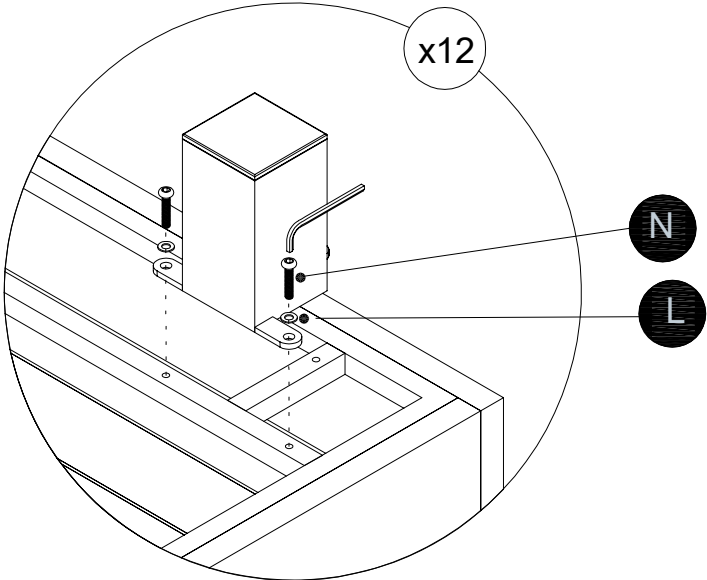
! Attach SOFA/TABLE LEG (G) to LEFT SIDE SECTION (C) .



5



! Attach SOFA/TABLE LEG (G) to TABLE TOP (D) .



6

