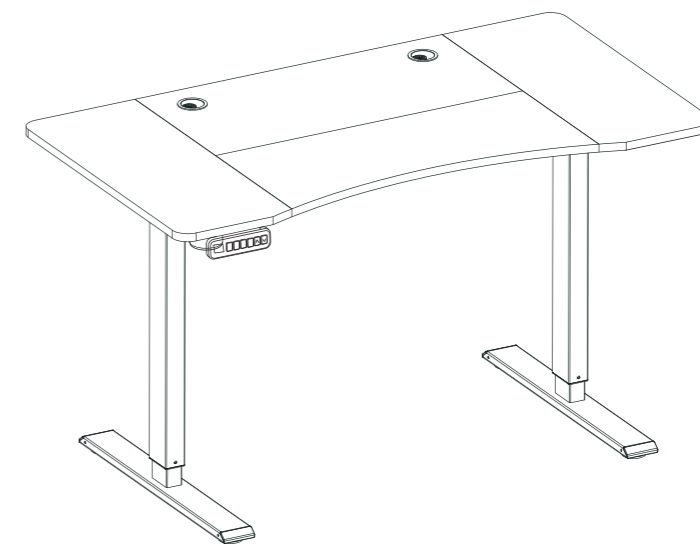


HappYard

HappYard

USER MANUAL

Electric Height Adjustable Standing Desk

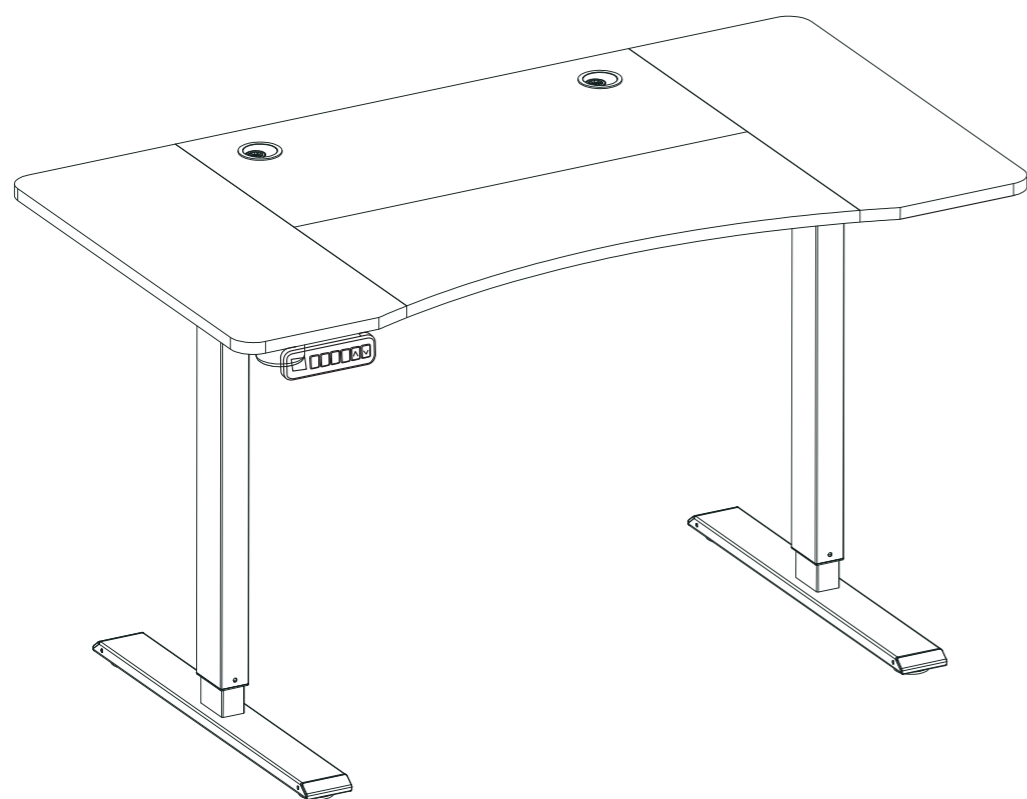


MODEL NO. GT-19



MODEL # GT-19

Electric Height Adjustable Standing Desk



9. Fault code table:

When a fault occurs, the buzzer will sound twice to remind the user that the machine is faulty and cannot be used. When the fault is completely cleared, the buzzer will sound twice to remind the user that the machine can be used normally.

Fault Codes	Description	Solutions
E01	Motor 1 is disconnected	After checking that the wiring is OK, press and hold the DOWN button for 5S to reset or power off and restart
E02	Motor 2 is disconnected	After checking that the wiring is OK, press and hold the DOWN button for 5S to reset or power off and restart
E03	Motor 1 overcurrent	After checking that the wiring is OK, press and hold the DOWN button for 5S to reset or power off and restart
E04	Motor 2 overcurrent	After checking that the wiring is OK, press and hold the DOWN button for 5S to reset or power off and restart
E05	Motor 1 hall wire unplugged	After testing that the wiring is OK, reinsert the Hall connector.
E06	Motor 2 hall wire Unplugged	After testing that the wiring is OK, reinsert the Hall connector.
E08	resistance	In case of abnormal obstacles, check whether there are obstacles. If the sensitivity is not appropriate, please refer to the menu section to adjust the sensitivity.
E09	Large deviation on both sides	After checking that the detection line is OK, long press the down button for 5S to reset or power off and restart
E10	high voltage	Check whether the power supply is correct and hold down the down button for 5S to reset it Or power off and restart
E11	low voltage	Check whether the power supply is correct and hold down the down button for 5S to reset it Or power off and restart
E12	Motor 1 Hall wire disconnected	After checking that the power line is OK, long press the down button for 5S to reset it Or power off and restart
E13	Motor 2 Hall wire disconnected	After checking that the power line is OK, long press the down button for 5S to reset it Or power off and restart
E14	overload protection	After checking that the detection line is OK, long press the down button for 5s to reset it Or power off and restart.

5. Menu option operation:

Menu	Menu page	Setup page	Default value	Remarks
Display units	P00	00/01	0	00: Metric units (cm) 01: Imperial units (inch)
The minimum Height limit	P01	Bottom~ (Top-10)	72	The value ranges from Bottom to (Top-10) cm, and the step length is 1 cm Also, the setting value should be at least 10 cm smaller than the maximum limit height value
The highest Height limit	P02	(Bottom+10) ~Top	120	The value ranges from (Bottom+10) to Top cm. The step length is 1 cm Also, the setting value should be at least 10 cm larger than the minimum limit height value
Upward sensitivity	P04	0~10	5	Protection function when ascending into an obstacle. 0: off 1 to 10: the higher the number, the less sensitive it is
Downward sensitivity	P05	0~10	5	Protection function when descending into an obstacle. 0: off 1 to 10: the higher the number, the less sensitive it is
Buzzer control switch	P06	0/1	1	0: Turn off the buzzer (do not turn off the abnormal alarm sound) 1: Turn on the buzzer

In the user mode and stop state, press "△" and "▽" at the same time for 5 seconds to enter the menu page. Short press the "△" and "▽" keys to switch the menu, the switching sequence is as follows.

P00 -> P01 -> P02 -> P04 -> P05 -> P06

Under the menu page: Press the "1" key briefly to enter this setting page. Short press the "△" and "▽" keys to modify the parameters under the corresponding menu.

On the setting page, the parameters are displayed with a flashing light. Press the "1" button briefly to confirm the setting and return to the menu page. No operation timeout of 5 seconds automatically exits the menu mode and sets and saves the confirmed modified parameters.

6. Energy saving mode:

If there is no key operation within 30 seconds, the controller enters the energy saving mode. When the hand control display turns off and the controller enters the energy saving mode, press any key to exit the energy saving mode. In the energy saving mode, the key movement command is not effective.

7. Thermal protection:

For better protection of the motor, the system will enter thermal protection mode after a total of 5 meters of running within 18 minutes. Thermal protection needs to be detected in the shutdown state and the display shows HOT, at which time the other functions of the hand controller are switched off and the keys are not available.

The hand controller will automatically exit the thermal protection mode after 18 minutes or after a power failure and restart.

8. Child lock:

Press and hold "△", "▽" and "1" keys at the same time for 5 seconds, when the hand control displays "LOC", it means the system has been locked and cannot be lifted; in the locked state, press and hold "△", "▽" and "1" keys at the same time for 5 seconds, when the hand control display changes from "LOC" to normal digital display, it means the system has been unlocked.



IMPORTANT INFORMATION

PLEASE READ CAREFULLY.

KEEP THIS INFORMATION FOR FURTHER REFERENCE.

GENERAL GUIDELINES

- Please read the following instructions carefully and use the product accordingly.
- Please keep this manual and hand it over when you transfer the product.
- This summary may not include every detail of all variations and considered steps. Please **contact us** when further information and help are needed.

NOTES

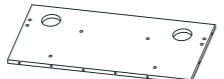





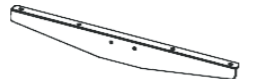
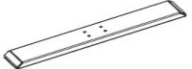

- Please follow the assembly instructions precisely and only use the product as intended.
- If an odor is present when first opening the package, please leave the unwrapped product in a shaded and ventilated area for a few days to air out.
- Prior to assembly, please check the product for defects or missing accessories. If any defects are found or accessories are missing, do not use the product as damage or injury may occur;
- Please **contact us** for assistance and replacement.
- During assembly, please only slightly tighten all screws in their correct positions first, then fully tighten them. A Philips screwdriver is recommended, but not included.
- It is suggested you regularly check the product's bolts and connections to ensure its safe use.
- Assemble the item on a soft flat and clean surface to avoid scratches and damage.

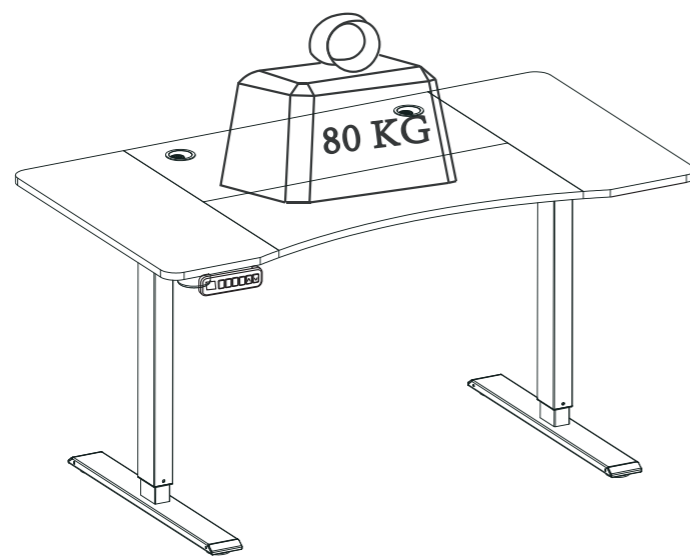
WARNINGS

- During assembly, keep parts and packaging materials away from children and pets as they could cause injury and are a potential choking hazard.
- Avoid using sharp objects or corrosive chemicals to prevent damage to the product.
- Please open the item slowly and cautiously to avoid pinching your hands by metal joints, especially if children are near.

Components

Please check that you have all the pieces listed below

Part List				
Reference	Description	Part	Quantity	Material
①	Desktop-a		1	Particle Board
②	Desktop-b		1	Particle Board
③	Desktop-c		2	Particle Board
④	Left Leg		1	Steel
⑤	Right Leg		1	Steel
⑥	Support Beam		2	Steel
⑦	Side Bracket		2	Steel
⑧	Base		2	Steel
⑨	Sync Rod		1	Aluminum



1. Initial power-up of the product:

When the controller is connected to the power supply according to the instructions on the controller nameplate, the buzzer will sound twice and the software version number will be displayed for 1 second, followed by the current height. If the height value displayed by the hand controller does not correspond to the actual height of the column, or if the height of the column has changed after reassembly, the reset operation is required. Otherwise, it can be used directly according to the factory preset.

2. Reset operation:

①When the system moves to the lowest position, release the key, then press and hold the down "▽" key for 5 seconds without releasing, at this time the system enters the reset mode and the display shows RST. In the process of reset, if you encounter an unexpected situation, you can always release the down "▽" key to stop the table from running. Press and hold the down "▽" key again to continue the reset. Wait for the buzzer to sound a "beep", indicating that the reset operation is complete, at this time the hand controller shows the lowest height of the desk.

②When the table has been set to the lowest limit, and the lifting column runs to the limit position, then press and hold the down "▽" key for 5 seconds without releasing, then the system will enter the reset mode and the display will show RST. (When the reset process encounters unexpected situation, you can always release the down "▽" key, the table stops running. Press the down "▽" key again to continue the reset). Wait for the buzzer to sound a "beep", indicating that the reset operation is complete, at this time the hand controller shows the lowest height of the desk.

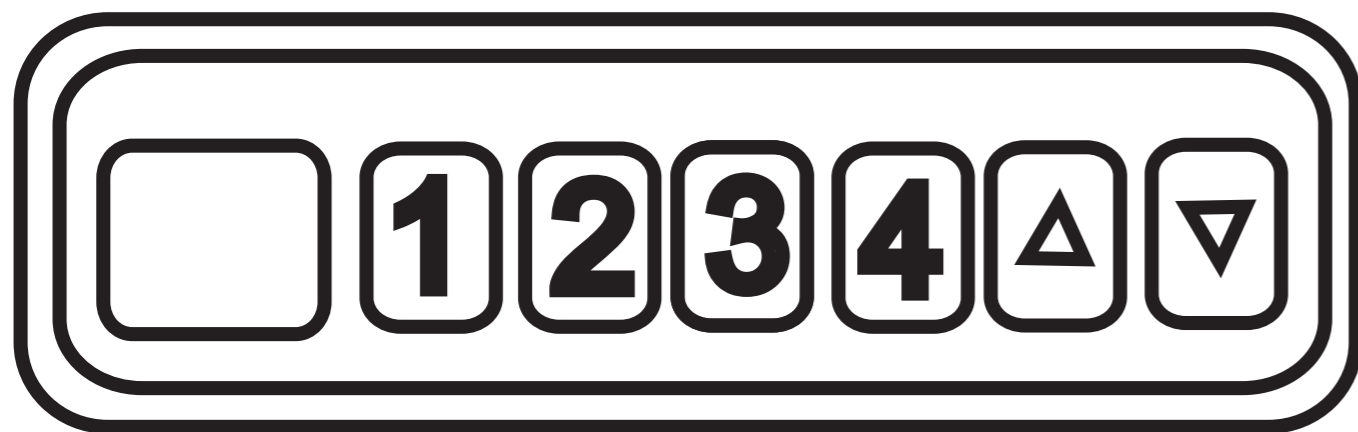
③When the hand controller is abnormal, "Exx" will be displayed in the screen. Then press and hold the DOWN "▽" key for 5 seconds without releasing, the system will enter the reset mode and the display will show RST. In case of unexpected situation during the reset process, you can release the "▽" key at any time and the table will stop running. Press the down "▽" key again to continue the reset. When the buzzer sounds a beep, the reset is complete and the hand controller displays the minimum height of the desk.

3. Upward running operation:

Press and hold the "△" button on the hand controller to raise the table, release the button to stop.

4. Downward running operation:

Press and hold the "▽" button of the hand controller to lower the table, and release the button to stop.



	Tap position 1	Tap position 2	Tap position 3	Tap position 4	△	▽
Default	800mm	900mm	1000mm	1100mm	UP	DOWN

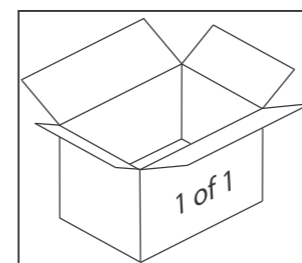
Reset rebound distance: 10mm
 Meet resistance rebound distance: 10mm

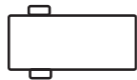
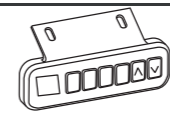


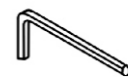






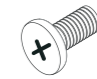




Memory position operation:

When the column is stopped, press and hold any of the keys "1", "2", "3" or "4" for more than 3 seconds, then the current height position of the column will be saved to the corresponding key.
 The hand controller can memorize a total of 4 height positions, is repeatable and can be saved even after a power failure.
 Once the memory position has been set, press any of the "1", "2", "3" or "4" buttons directly, the table will automatically move to the memory position of the corresponding key. Press any key to stop the column in the process of running to the memory position.

Components

Please check that you have all the pieces listed below

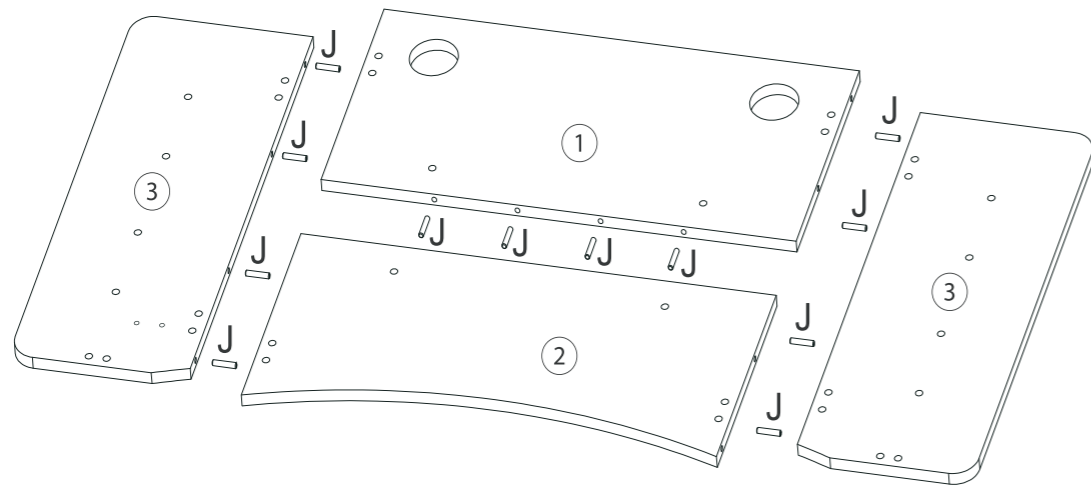


A  Power Cable x 1 pc	B  Controller x 1 pc	C  Leveling studs x 4 pcs
D  Wire Clips x 5 pcs	E  4mm Allen Key x 1 pc	F  M8 Wrench x 1 pc
G  Screws M6x12mm x 32 pcs	H  Screws M5x10mm x 14 pcs	I  Screws M6x35mm x 10 pcs
J  Wooden Rods x 14 pcs	K  Hexagon Bar x 1pc	L  Screws M5x14mm x 2 pcs
M  Hooks x 2 pcs	N  Outlet Boxes x 2 pcs	O  Iron Connectors x 4 pcs
P  Washers x 14 pcs		

1

J X 12
Wooden Rods

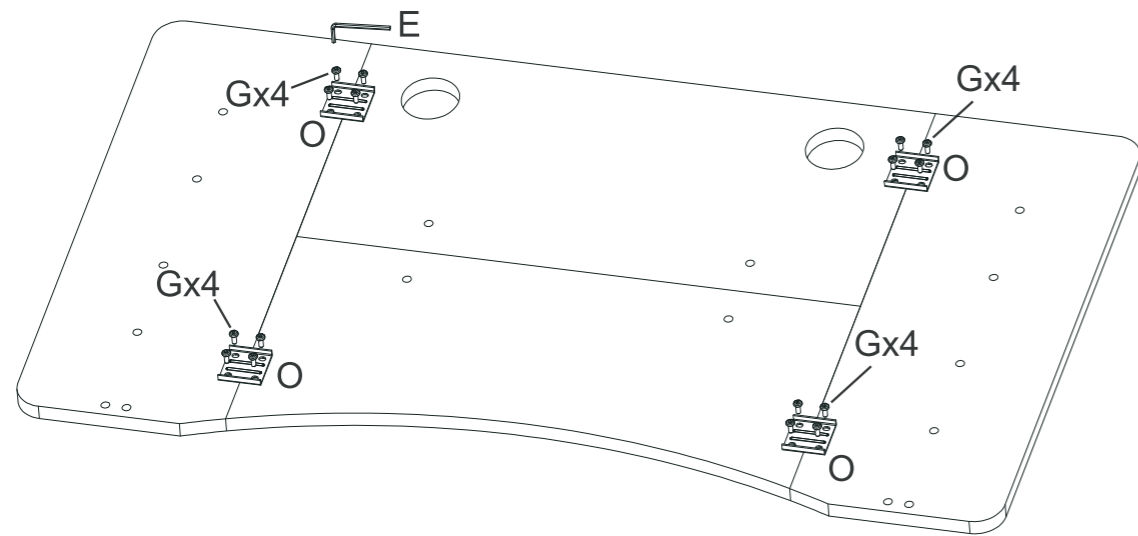
Noted: Two more wooden rods in the accessory bag



2

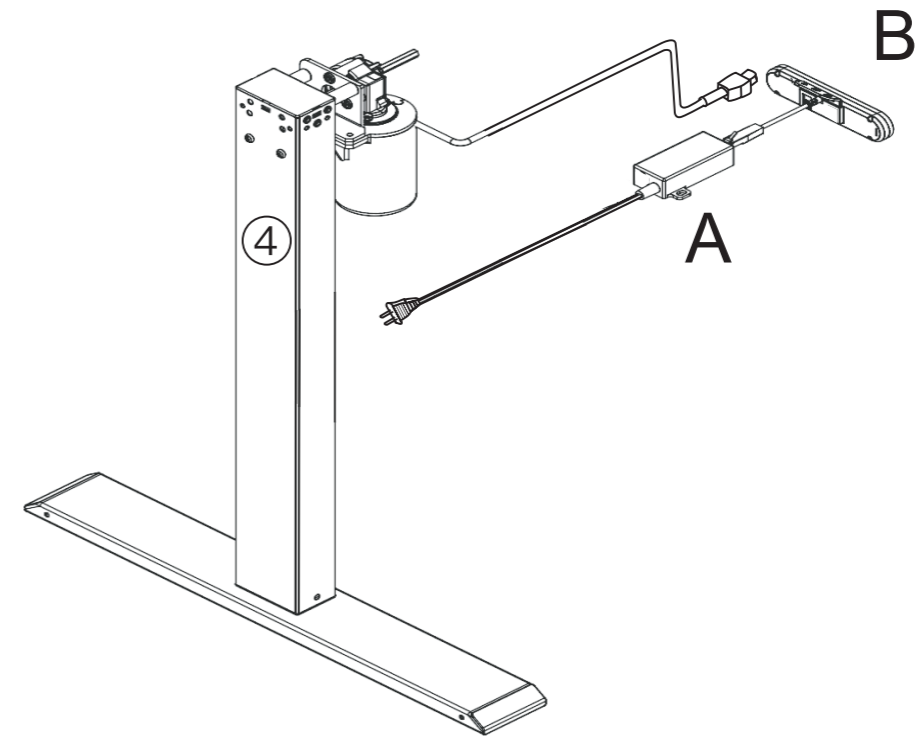
E X 1 4mm Allen Key
G X 16 Screws M6x12
O X 4 Iron Connectors

Note: The horizontal bar on the Iron Connector should be perpendicular to the seam of the table panel splice



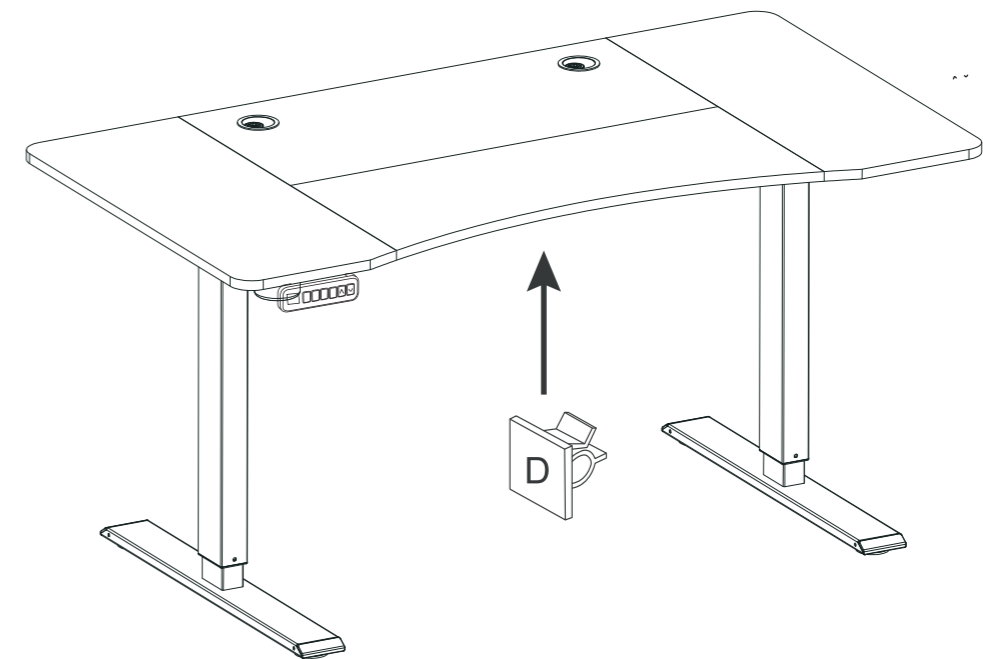
11

Connect the Controller, AC Adapter, Power Cable and ④ Leg.



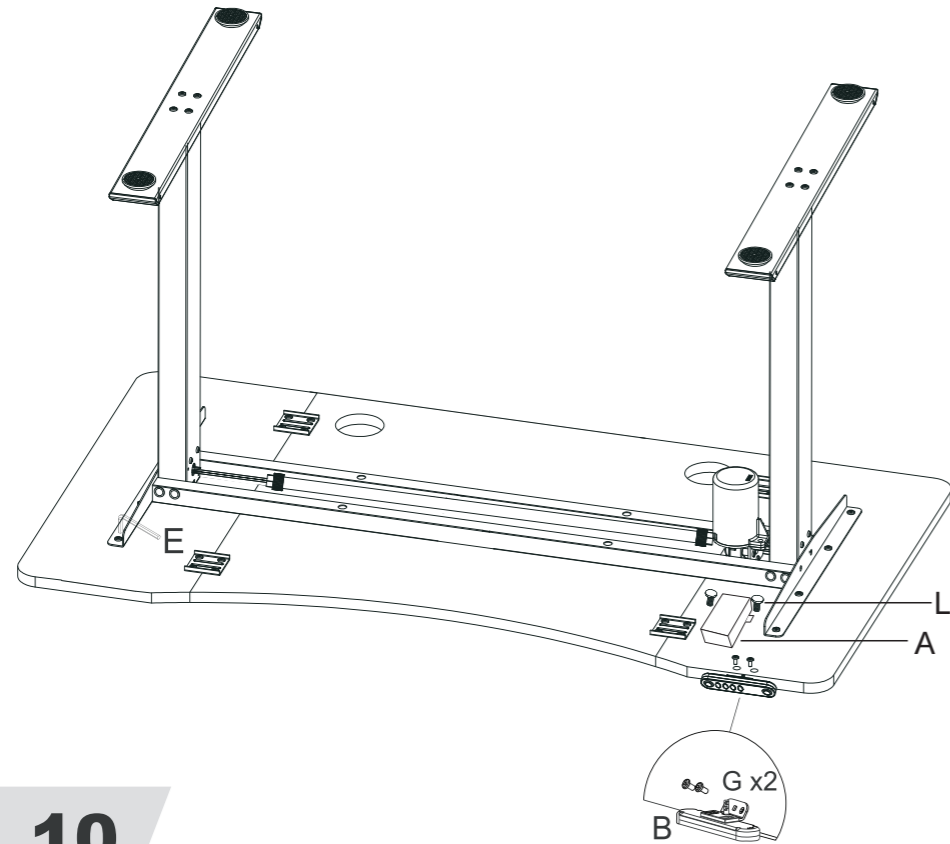
Use D -Wire Clips to tidy up the wires.

D X 5
Wire Clips



9

Install A-Power cable, B-Controller on the desktop.

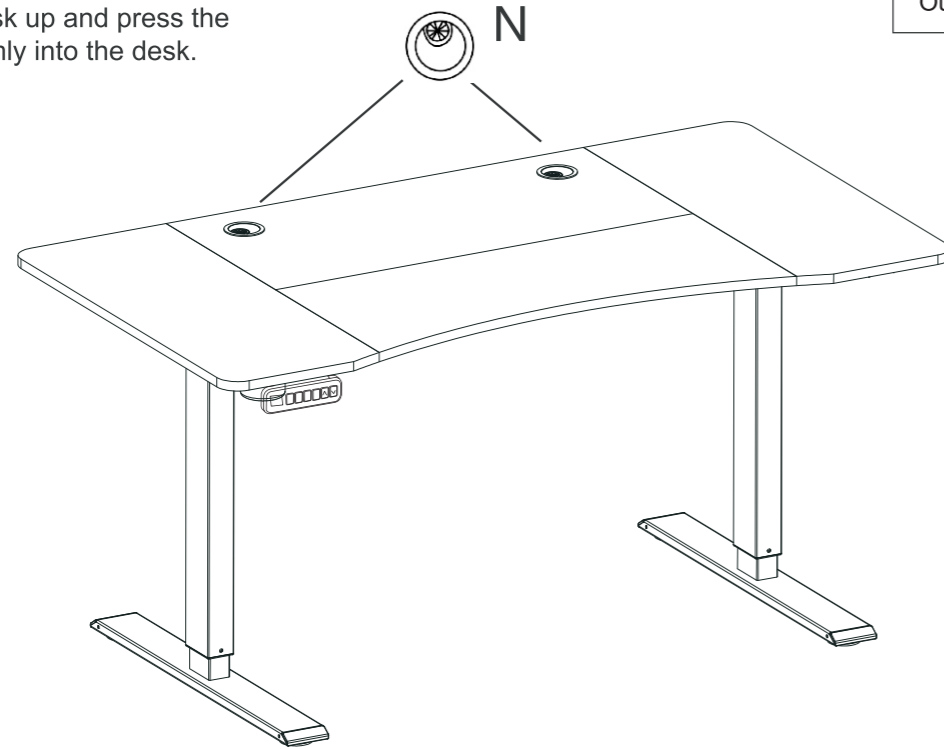


E X 1	B X 1
4mm Allen Key	Controller
L X 2	G X 6
Screws M5X14	Screws M6X12
A X 1	
Power Cable	

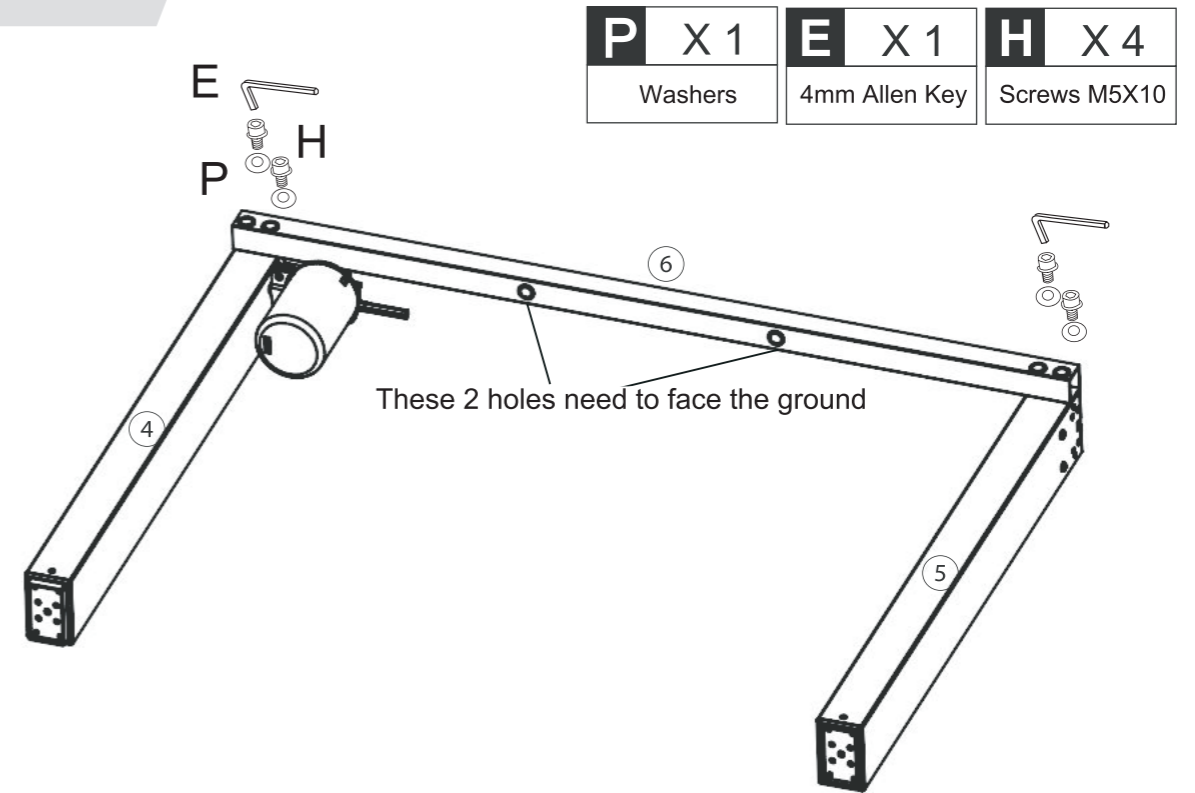
N X 2
Outlet Boxes

10

Stand the desk up and press the outlet box firmly into the desk.



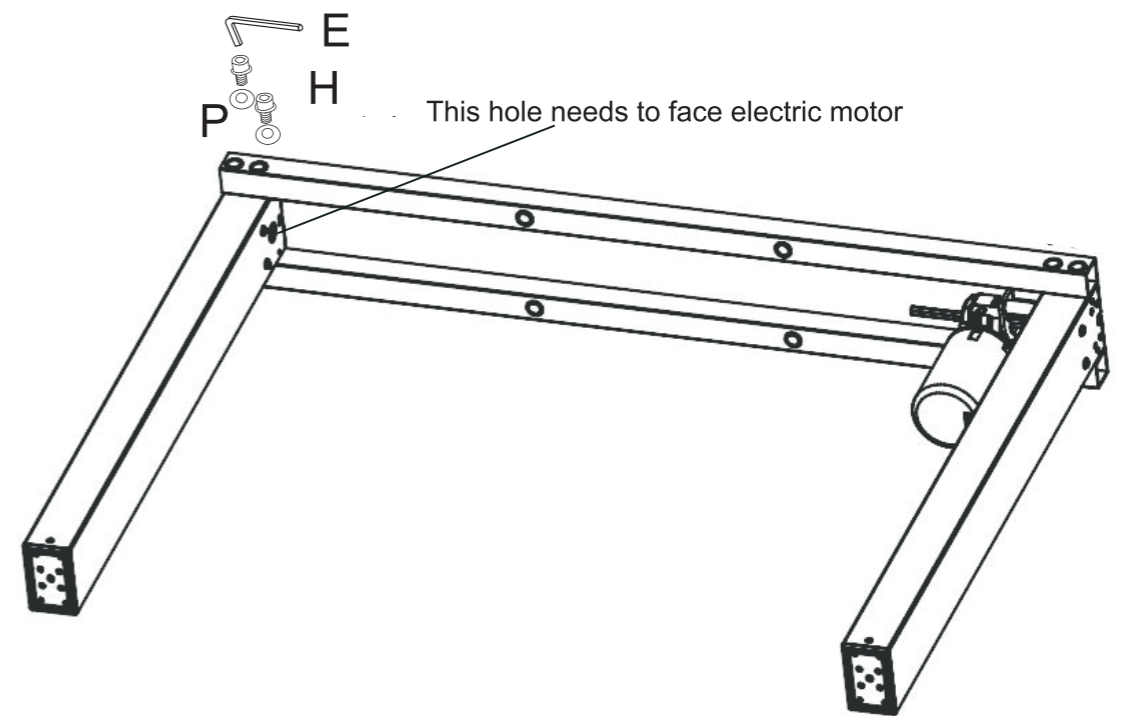
3



P X 1	E X 1	H X 4
Washers	4mm Allen Key	Screws M5X10

4

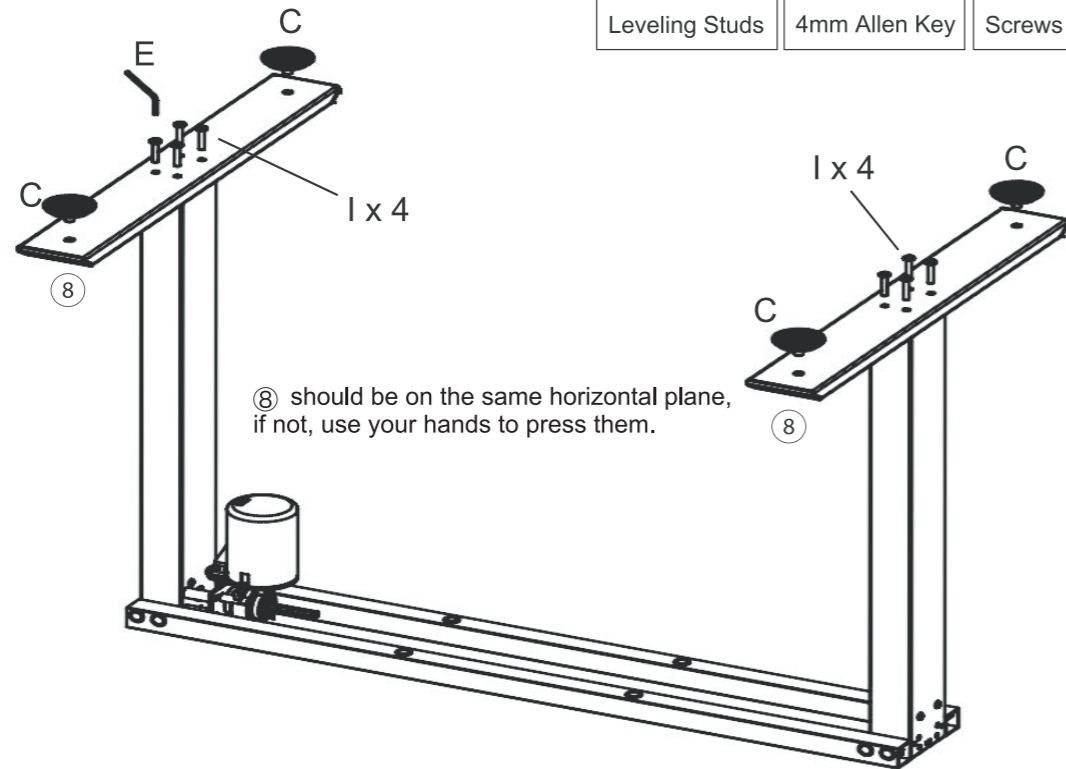
Install the other 6-Support Beam on the other side in the same way as in step 3.



P X 4	E X 1	H X 4
Washers	4mm Allen Key	Screws M5X10

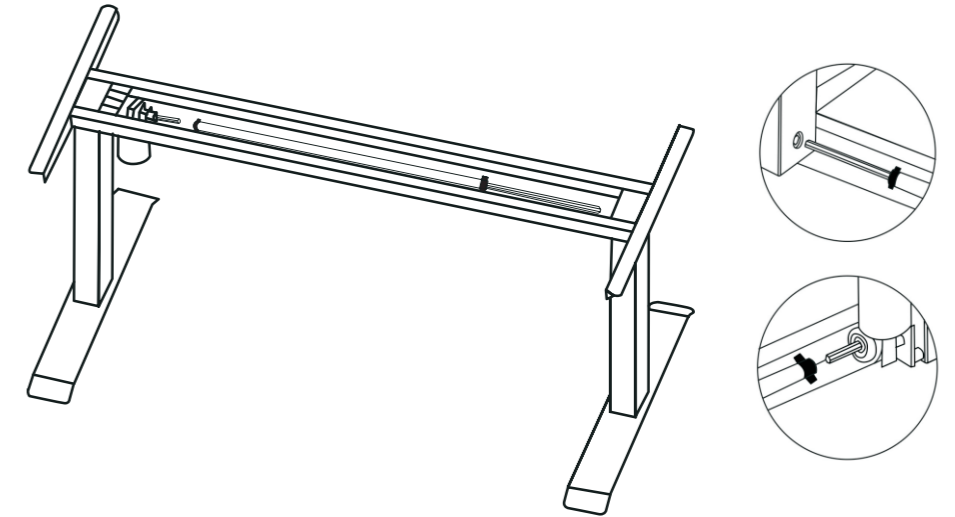
5

C X 4	E X 1	I X 8
Leveling Studs	4mm Allen Key	Screws M6X35



7

Install the ⑨-Sync Rod and tighten the two screws at both ends of the Sync Rod. When the hole position is not correct, the Wrench F can be used to adjust.

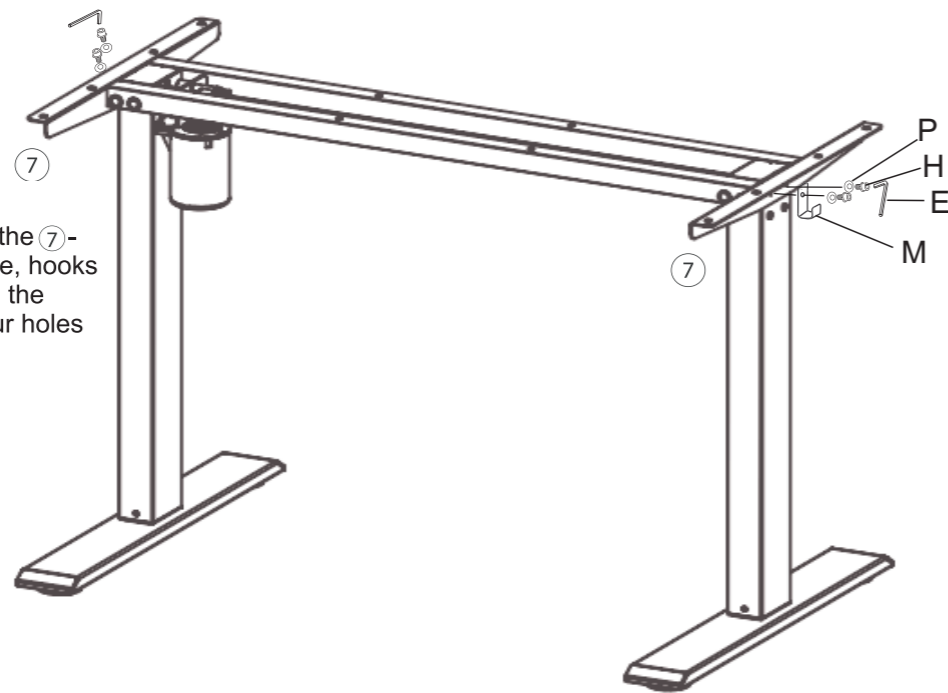


Wrench F is used to fine-tune the Sync Rod alignment shaft hole during assembly, and can adjust the height of the left and right feet of the table as high.

6

P X 4	M X 2	E X 1	H X 4
Washers	Hooks	4mm Allen Key	Screws M5x10

Stand the desk up and install the ⑦-Side Brackets. At the same time, hooks can be installed together with the brackets, in any one of the four holes according to personal habits.



8

Install the frame on the desktop.

E X 1	G X 12
4mm Allen Key	Screws M6X12

