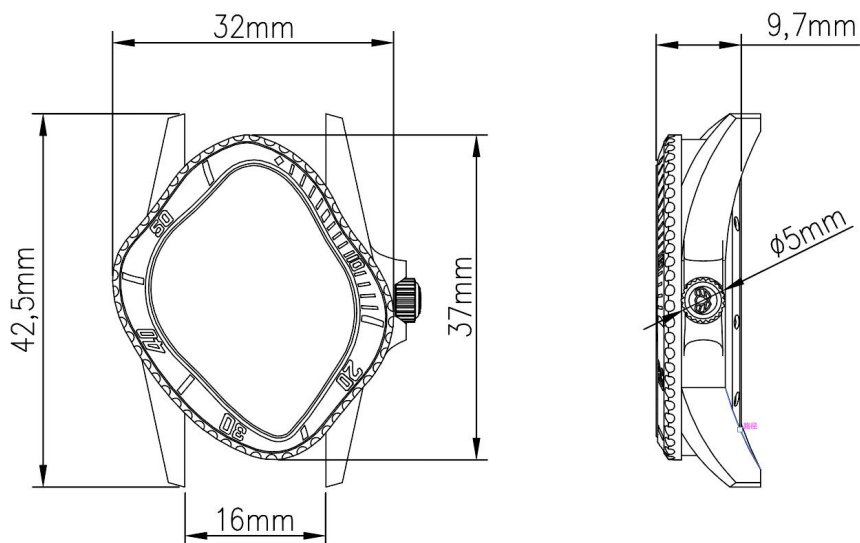


Reference
PEA101- SGRN



MODEL CASE

SIZE	32 x 37mm
LUGS / STRAP SIZE	16mm
BEZEL	Aluminium alloy
CASE MATERIAL	316 stainless steel
CASE FINISHING	Brushed finish
CROWN	Diameter 5 mm
CRYSTAL	1.2mm Mineral crystal
LUMINOUS	Highly legible Super-LumiNova display with long-lasting luminescence
WATER RESISTANCE	3BAR/ 3ATM/ 30M daily waterproof

MOVEMENT

TYPE	MIYOTA mechanical movement
WINDING	Unidirectional self-winding via Perpetual rotor
FREQUENCY	28,800 vibrations per hour (4 Hz)
ACCURACY	+/-20 sec/day, after casing
POWER RESERVE	Approximately 40 hours
FUNCTIONS	Hour, minute and seconds hands. Stop-seconds for precise time setting

BRACELET

TYPE	Tapered 16-14mm 316L stainless steel band with butterfly clasp
------	--