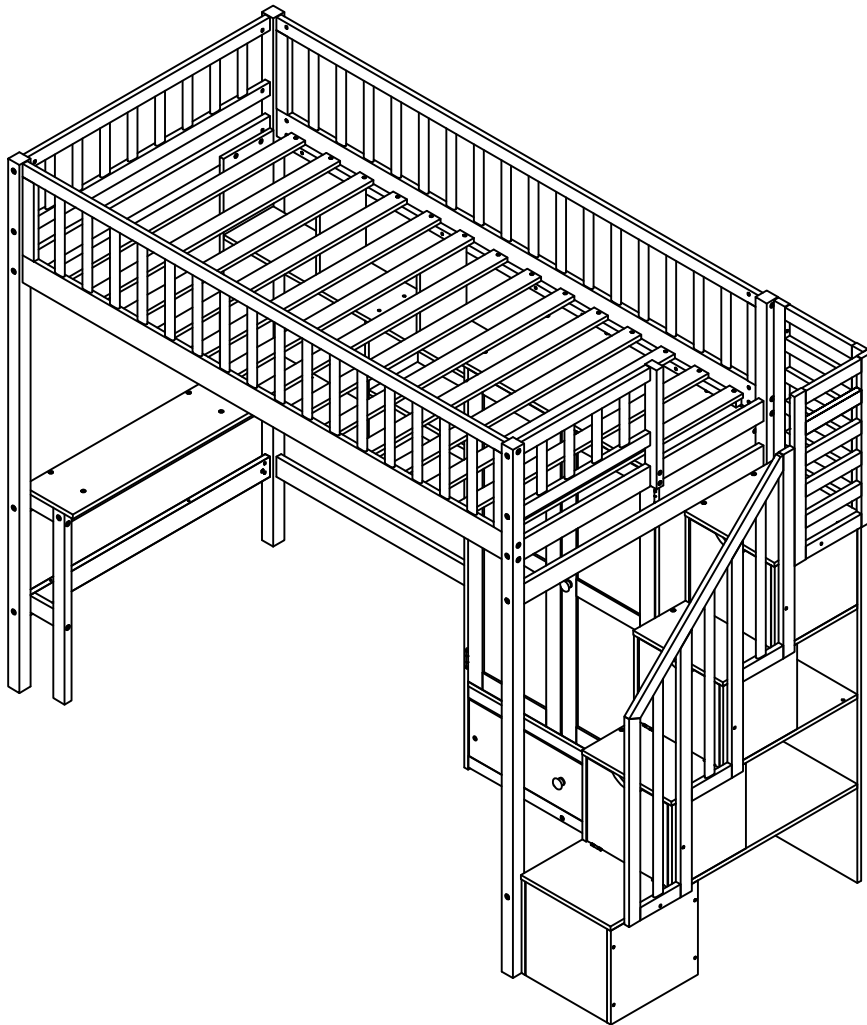


# ASSEMBLY INSTRUCTIONS

## TWIN LOFT BED WITH WARDROBE



**WF308773/WF308774/WF308775**



# **SAFETY WARNING**



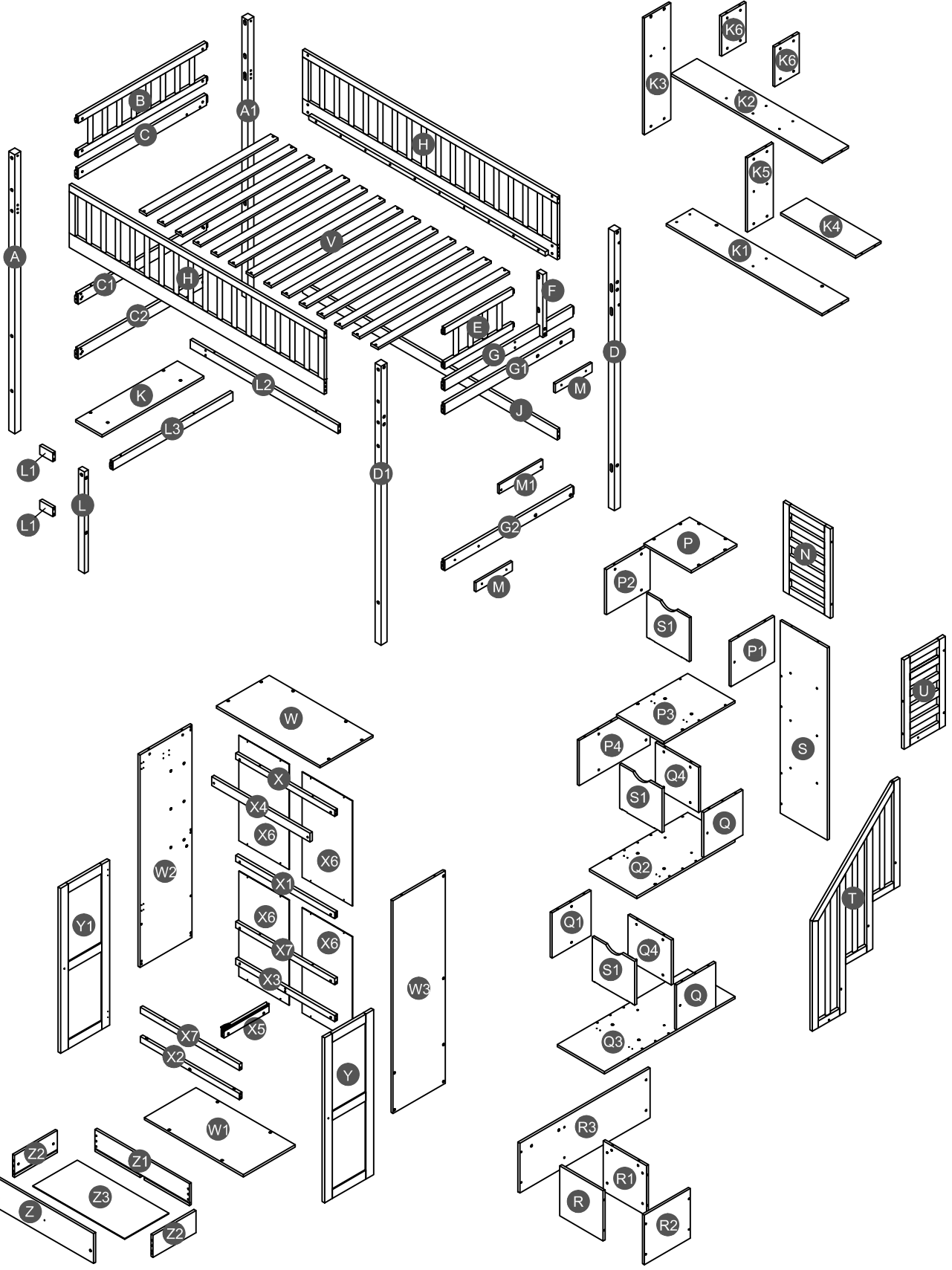
1. This bed is designed for use only mattress (es) meeting the following specifications on the upper bunk, and lower bunk:

Upper bunk (Bunk bed and tribed included)

Bed type	Length	Width	Thickness
Twin Standard	74"-75"	38 1/2"	6"

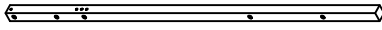
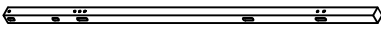

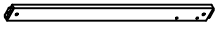
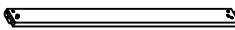

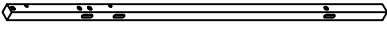
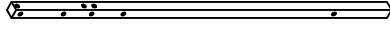
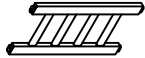

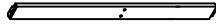
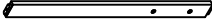

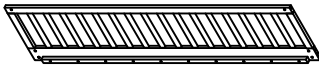
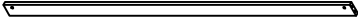
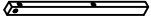
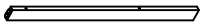

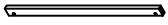




2. Replacement parts, including additional guardrails, maybe obtained from any of our (GIGACLOUD TECHNOLOGY (USA) INC . 18961 ARENTH AVENUE, CITY OF INDUSTRY , CA, 91748.) dealers
3. Follow the information on the warnings appearing on the upper bunk bed end structure and on the carton. Do not remove warning label from bed.
4. Always use the recommended size mattresses or mattress supports, or both, to help prevent the likelihood of entrapment or falls.
5. Surface of mattress must be at least 5" (127mm) below the upper edge of guardrails.
6. Do not allow children under 6 years of age to use the upper bunk.
7. Periodically check and ensure that the guardrail, ladder, and other components are in their proper position, free from damage, and that all connectors are tight.
8. Do not allow horseplay on or under the bed and prohibit jumping on the bed.
9. Always use the ladder for entering and leaving the upper bunk.
10. Do not use substitute part. Contact the manufacture or dealer for replacement part.
11. Use of a night light may provide added safety precaution for a child using the upper bunk.
12. Always use guardrails on both long sides of the upper bunk. If the bunk bed will be placed next to the wall, the guardrail that runs the full length of the bed should be placed against the wall to prevent entrapment between the bed and wall.
13. The use of water or sleep flotation mattresses is prohibited.
14. STRANGULATION HAZARD - Never attach or hang items to any part of the bunk bed that are not designed for use with the bed; for example, but not limited to, hook, belts and jump ropes.
15. Keep these instruction for future reference.
16. Prohibit more than one person on upper bunk
17. We recommend assembling your bunk bed on the shipping carton to protect your floor or carpet.
18. Be certain all staples are out of the box before beginning assembly on the shipping carton.

# Detail View




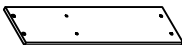



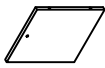
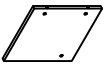

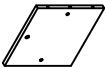
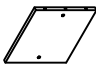
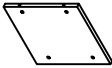
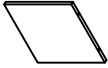
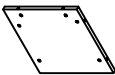
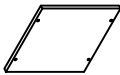


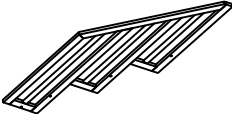
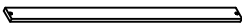
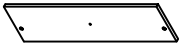

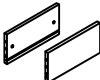
# Part List

WF308773

<p><b>A</b></p>  <p>Leg HB (Left front ) - 1pc</p>	<p><b>A1</b></p>  <p>Leg HB (Left back ) - 1pc</p>	<p><b>B</b></p>  <p>Frame HB - 1pc</p>
<p><b>C</b></p>  <p>Upper horizontal bar HB - 1pc</p>	<p><b>C1</b></p>  <p>Divider horizontal bar HB - 1pc</p>	<p><b>C2</b></p>  <p>Lower horizontal bar HB - 1pc</p>
<p><b>D</b></p>  <p>Leg FB (Right back ) - 1pc</p>	<p><b>D1</b></p>  <p>Leg FB (Right front ) - 1pc</p>	<p><b>E</b></p>  <p>Frame FB - 1pc</p>
<p><b>F</b></p>  <p>Vertical guard rail FB - 1pc</p>	<p><b>G</b></p>  <p>Upper horizontal bar FB - 1pc</p>	<p><b>G1</b></p>  <p>Divider horizontal bar FB - 1pc</p>
<p><b>G2</b></p>  <p>Lower horizontal bar FB - 1pc</p>	<p><b>H</b></p>  <p>Side rail - 2pcs</p>	<p><b>J</b></p>  <p>Lower horizontal bar (Back) - 1pc</p>
<p><b>L</b></p>  <p>Short leg (Left front ) - 1pc</p>	<p><b>L3</b></p>  <p>Support horizontal bar - 1pc</p>	<p><b>X</b></p>  <p>Upper horizontal bar (Back) - 1pc</p>
<p><b>X1</b></p>  <p>Horizontal bar (Back) - 1pc</p>	<p><b>X2</b></p>  <p>Lower horizontal bar (Front) - 1pc</p>	<p><b>X3</b></p>  <p>Lower horizontal bar (Back) - 1pc</p>
<p><b>X4</b></p>  <p>Hanging bar - 1pc</p>	<p><b>X7</b></p>  <p>Lower horizontal bar (Front/Back) - 2pcs</p>	


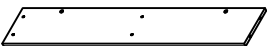

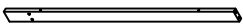


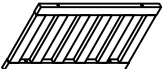


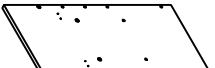
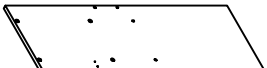
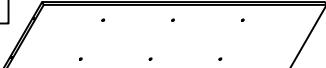

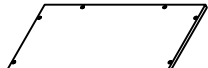
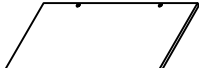



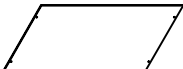
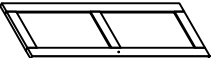
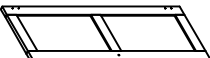

# Part List

WF308774

<b>K2</b>  Shelf panel - 1pc	<b>K3</b>  Side panel (Left) - 1pc	<b>K4</b>  Shelf panel - 1pc
<b>K5</b>  Lower divider panel - 1pc	<b>K6</b>  Upper divider panel - 2pcs	<b>P1</b>  Upper right side panel - 1pc
<b>P2</b>  Upper left side panel - 1pc	<b>P4</b>  Center left side panel - 1pc	<b>Q</b>  Center right side panel - 2pcs
<b>Q1</b>  Center left side panel - 1pc	<b>Q4</b>  Support panel - 2pcs	<b>R</b>  Lower front panel - 1pc
<b>R1</b>  Support lower panel - 1pc	<b>R2</b>  Lower right side panel - 1pc	<b>R3</b>  Lower left side panel - 1pc
<b>S1</b>  Upper front panel - 3pcs	<b>T</b>  Guard rail -1pc	<b>V</b>  Slat - 14pcs
<b>Z</b>  Front drawer panel - 1pc	<b>Z1</b>  Back drawer panel - 1pc	<b>Z2</b>  Left / right drawer panel - 2pcs

# Part List

**WF308775 + Hardware inside**

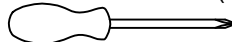
<p><b>K</b></p>  <p>Top panel - 1pc</p>	<p><b>K1</b></p>  <p>Top panel - 1pc</p>	<p><b>L1</b></p>  <p>Horizontal bar (Front) - 2pcs</p>
<p><b>L2</b></p>  <p>Horizontal bar (Back) - 1pc</p>	<p><b>M</b></p>  <p>Support - 2pcs</p>	<p><b>M1</b></p>  <p>Support - 1pc</p>
<p><b>N</b></p>  <p>Upper guard rail (Back) -1pc</p>	<p><b>P</b></p>  <p>Upper step ladder panel -1pc</p>	<p><b>P3</b></p>  <p>Upper center step ladder panel -1pc</p>
<p><b>Q2</b></p>  <p>Lower center step ladder panel -1pc</p>	<p><b>Q3</b></p>  <p>Lower step ladder panel -1pc</p>	<p><b>S</b></p>  <p>Back panel - 1pc</p>
<p><b>U</b></p>  <p>Upper guard rail -1pc</p>	<p><b>W</b></p>  <p>Top panel - 1pc</p>	<p><b>W1</b></p>  <p>Bottom panel - 1pc</p>
<p><b>W2</b></p>  <p>Side panel (Left) - 1pc</p>	<p><b>W3</b></p>  <p>Side panel (Right) - 1pc</p>	<p><b>X5</b></p>  <p>Support drawer - 1pc</p>
<p><b>X6</b></p>  <p>Back panel - 4pcs</p>	<p><b>Y</b></p>  <p>Door (Right) - 1pc</p>	<p><b>Y1</b></p>  <p>Door (Left) - 1pc</p>
<p><b>Z3</b></p>  <p>Drawer bottom - 1pc</p>		

# Hardware List WF308775

<b>1</b>	 Ø10*40mm Wood dowel (2pcs)	<b>2</b>	 Ø10*20mm Wood dowel (1pc)	<b>3</b>	 Ø8*30mm Wood dowel (46pcs)
<b>4</b>	 (Ø15)1/4"*100mm Hex-Head bolts (14pcs)	<b>5</b>	 (Ø15)1/4"*80mm Hex-Head bolts (22pcs)	<b>6</b>	 (Ø12)1/4"*70mm Hex-Head bolts (3pcs)
<b>7</b>	 (Ø12)1/4"*60mm Hex-Head bolts (96pcs)	<b>8</b>	 (Ø12)1/4"*40mm Hex-Head bolts (4pcs)	<b>9</b>	 (Ø12)1/4"*35mm Hex-Head bolts (2pcs)
<b>10</b>	 (Ø12)1/4"*30mm Hex-Head bolts (5pcs)	<b>11</b>	 (Ø12)1/4"*15mm Hex-Head bolts (2pcs)	<b>12</b>	 1/4"*15 (9.5mm) Horizontal-hole bolts(131pcs)
<b>13</b>	 Ø3.5*15mm Wood screws (16pcs)	<b>14</b>	 340*30mm Upper slider drawer (1pc)	<b>15</b>	 Ø4*30mm Wood screws (30pcs)
<b>16</b>	 (Ø12)1/4"*40mm Hex-Head bolts (14pcs)	<b>17</b>	 Ø38*31mm Pine Knob (3pcs)	<b>18</b>	 3/16"*25mm Ph zinc(Knob) (3pcs)
<b>19</b>	 Ø3.5*15mm Wood screws (71pcs)	<b>20</b>	 (Ø13)1/4"*14mm Connect bolt (2pcs)	<b>21</b>	 45*17*13mm Door catch (3pcs)
<b>22</b>	 42*12*1mm Metal magnet (5pcs)	<b>23</b>	 70*37*28mm (135°) Metal bracket (4pcs)	<b>24</b>	 140*32*19mm Stopper door (1pc)
<b>25</b>	 63*40*30mm Metal bracket (2pcs)	<b>26</b>	 24*28*28*2mm Metal bracket (2pcs)	<b>27</b>	 (1/4")4.5*58mm Allen key (2pcs)

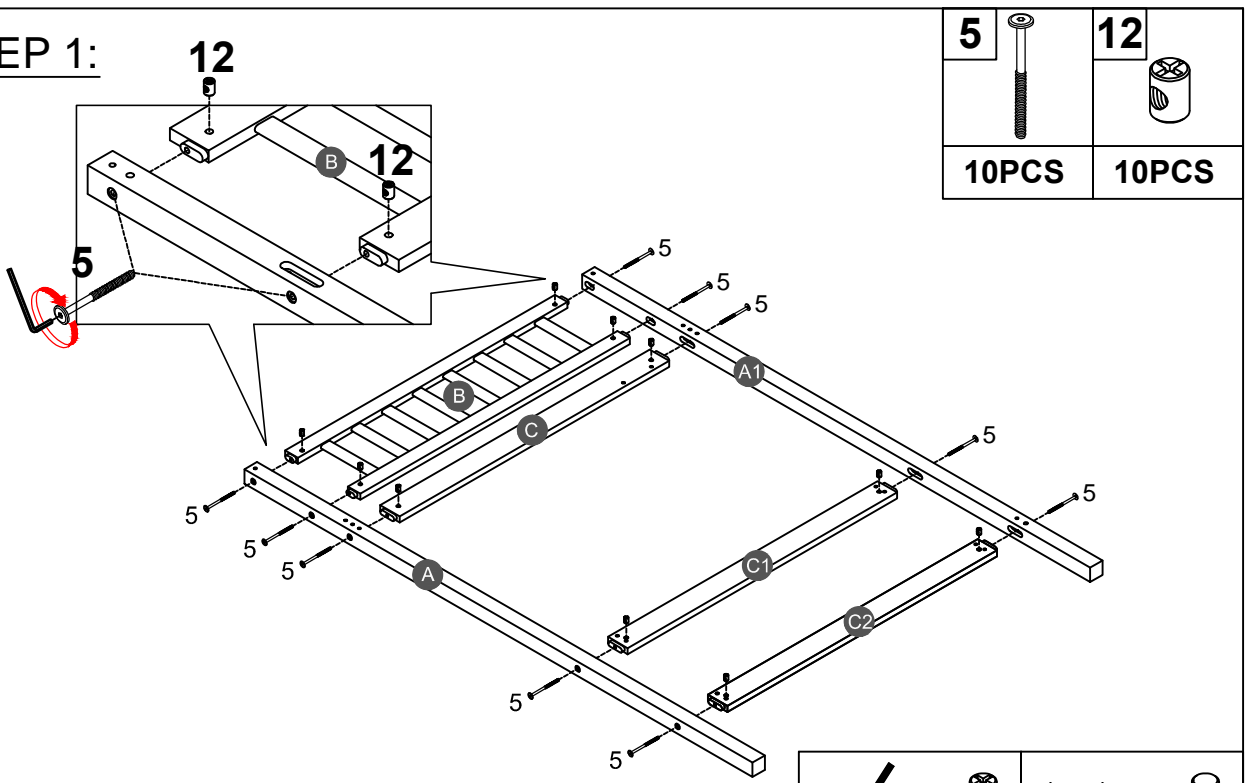


ASSEMBLY TOOLS REQUIRED ( NOT INCLUDED )

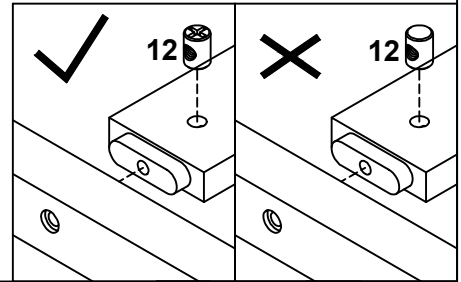


PLEASE BE CAREFUL DO NOT DAMAGE THE HOLE  
POSITION WHEN YOU USE POWER TOOLS !

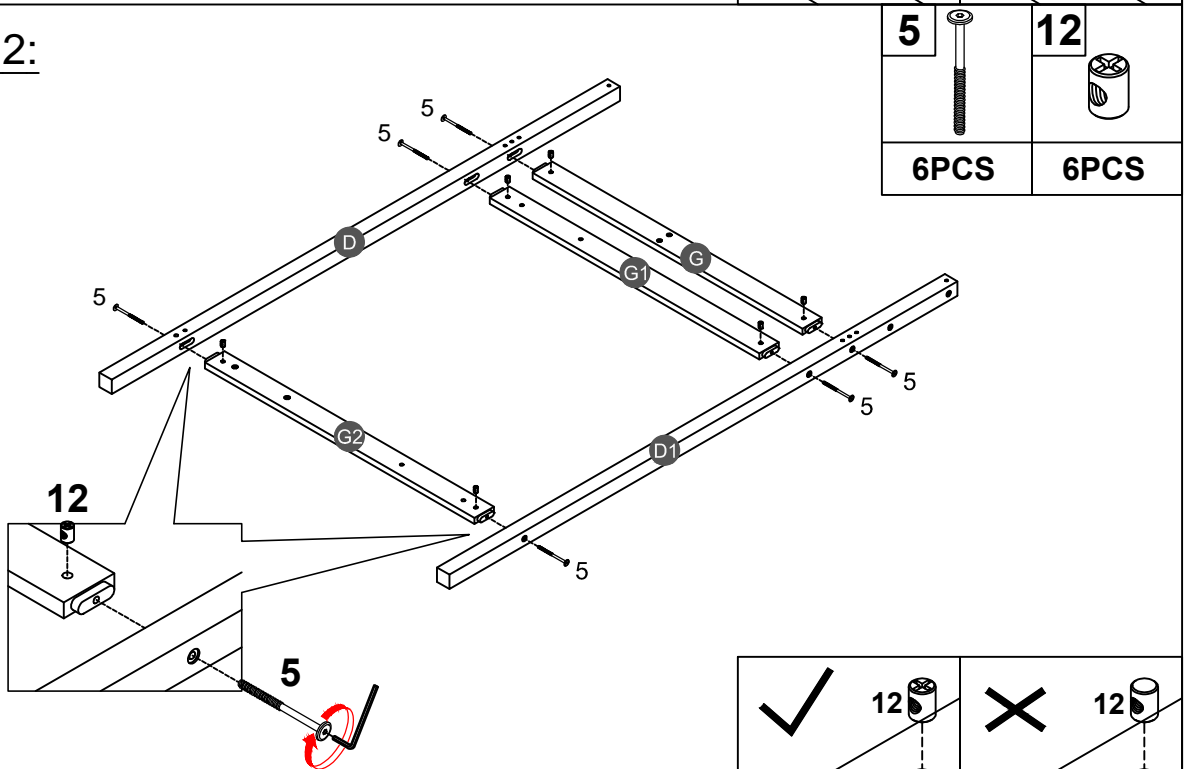
**STEP 1:**



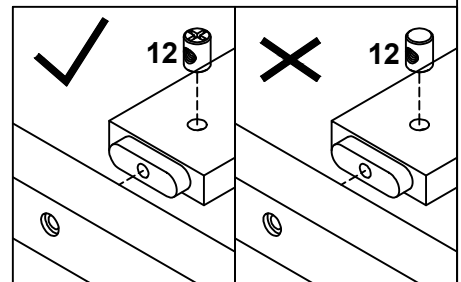
Note: Part 12 will face up with the "x" mark on it, otherwise it cannot be tightened



**STEP 2:**

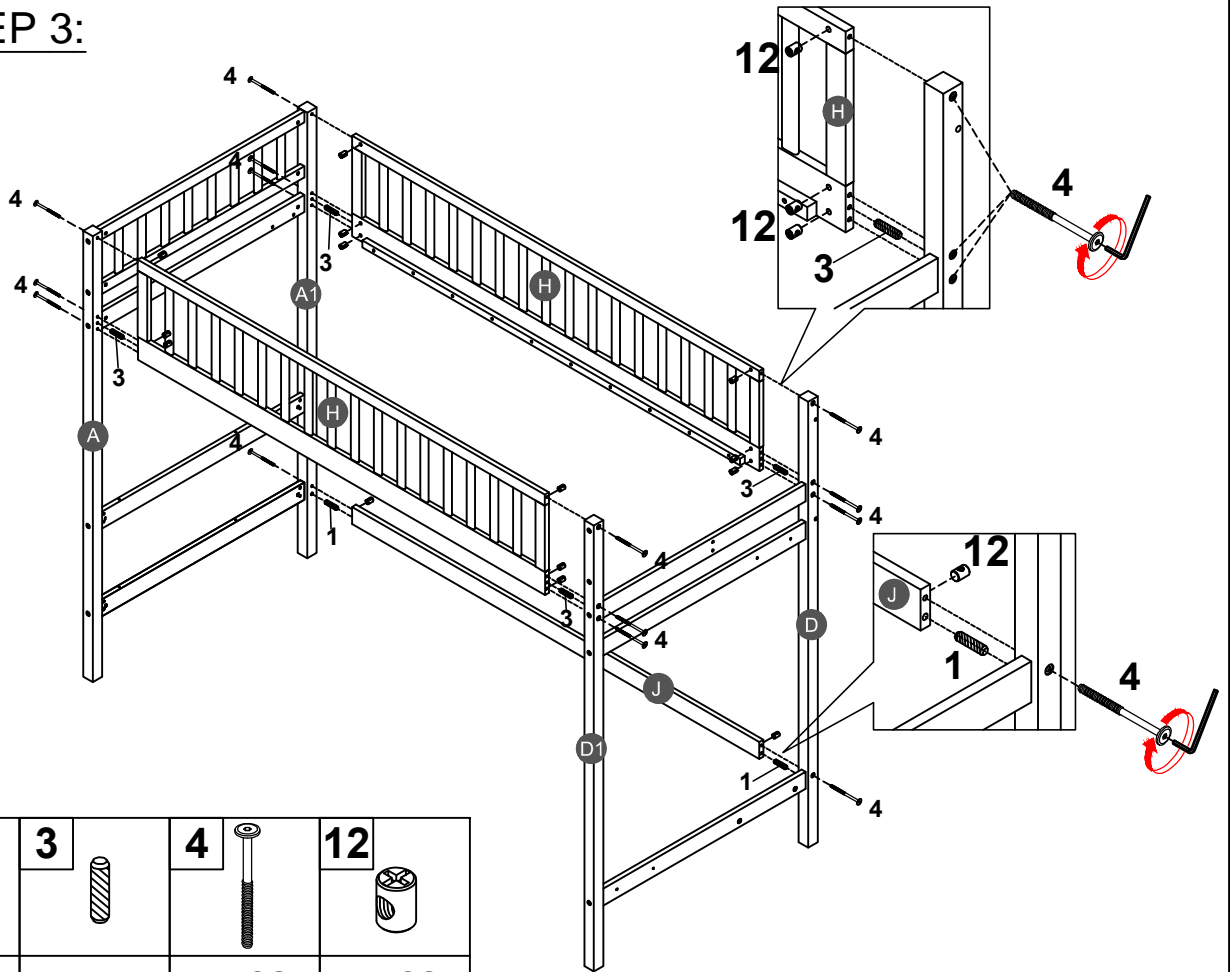


Note: Part 12 will face up with the "x" mark on it, otherwise it cannot be tightened



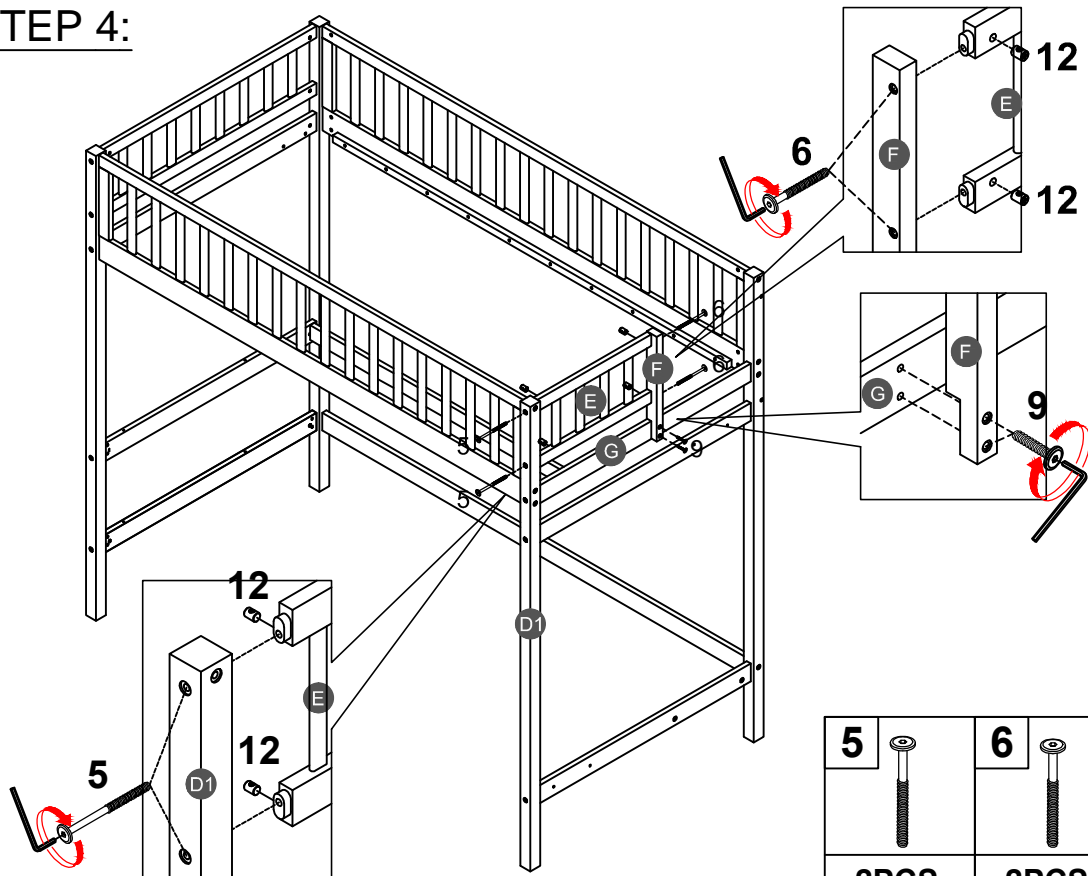


**STEP 3:**






<b>1</b>		<b>3</b>		<b>4</b>		<b>12</b>	
<b>2PCS</b>		<b>4PCS</b>		<b>14PCS</b>		<b>14PCS</b>	

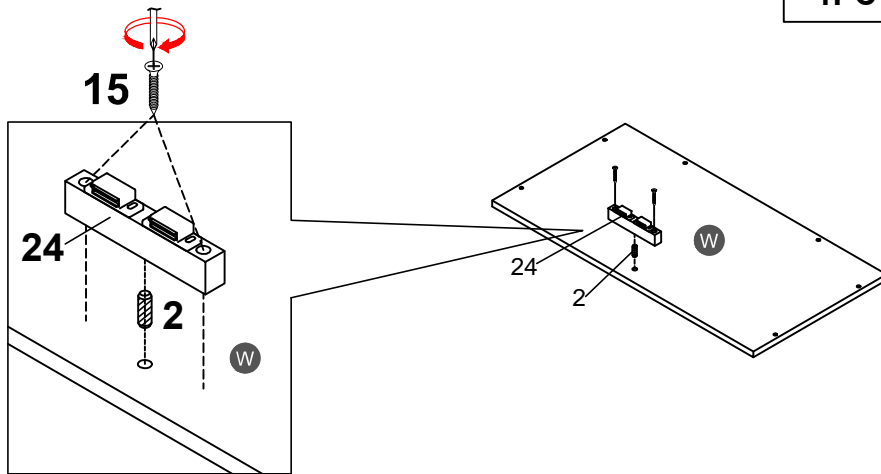
**STEP 4:**





<b>12</b>		<b>5</b>		<b>6</b>		<b>9</b>	
<b>4PCS</b>		<b>2PCS</b>		<b>2PCS</b>		<b>2PCS</b>	

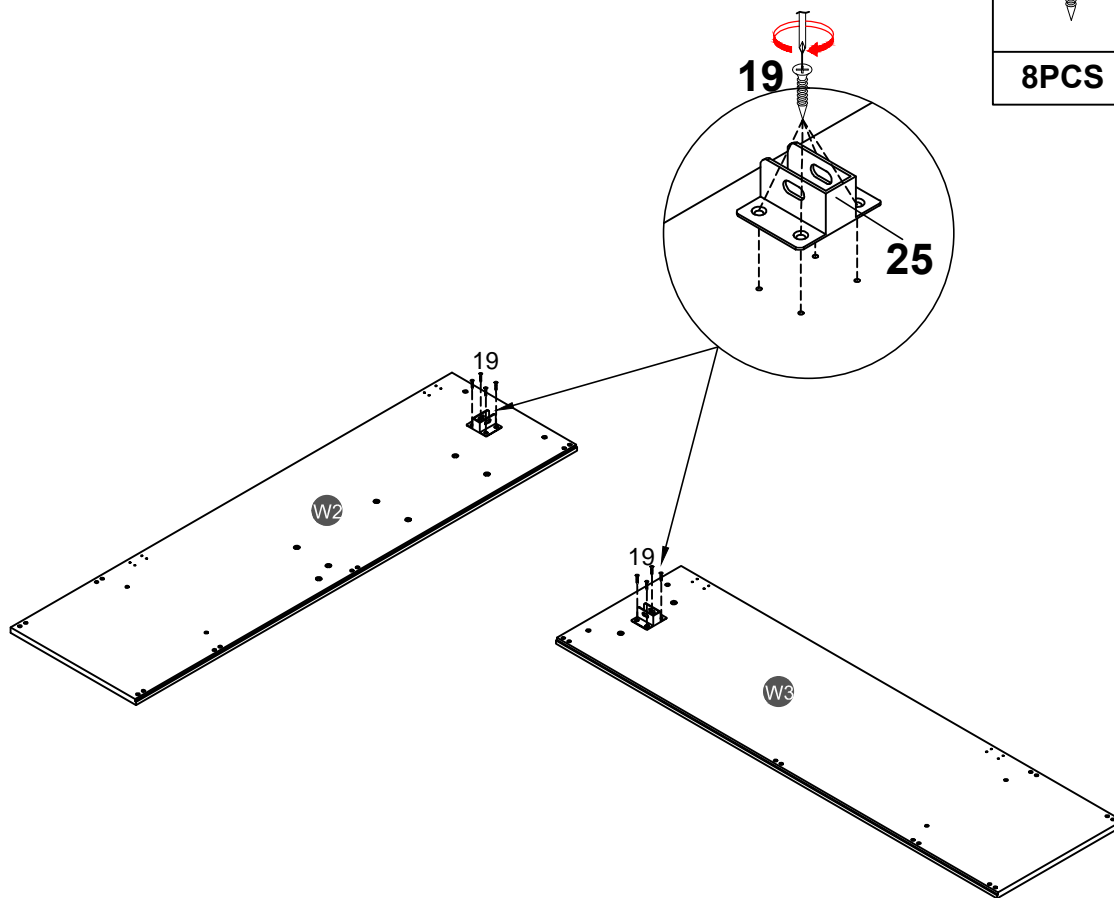
**STEP 5:**

<b>2</b>		<b>15</b>		<b>24</b>	
<b>1PC</b>		<b>2PCS</b>		<b>1PC</b>	





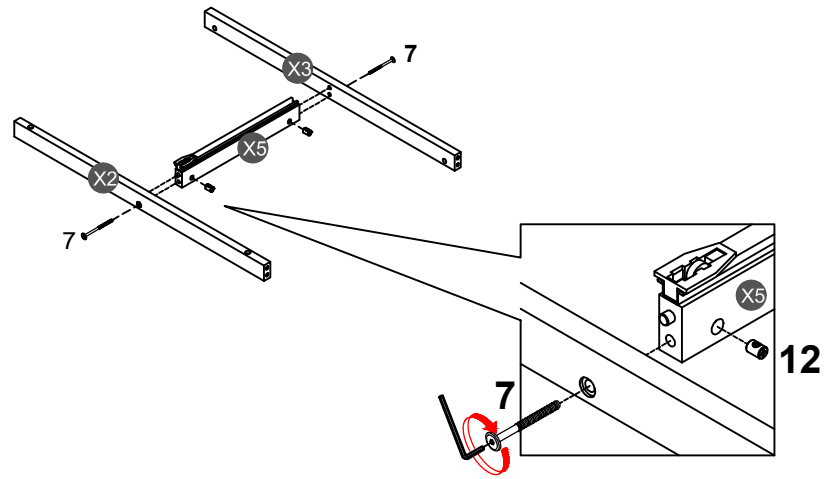
**STEP 6:**

<b>19</b>		<b>25</b>	
<b>8PCS</b>		<b>2PCS</b>	






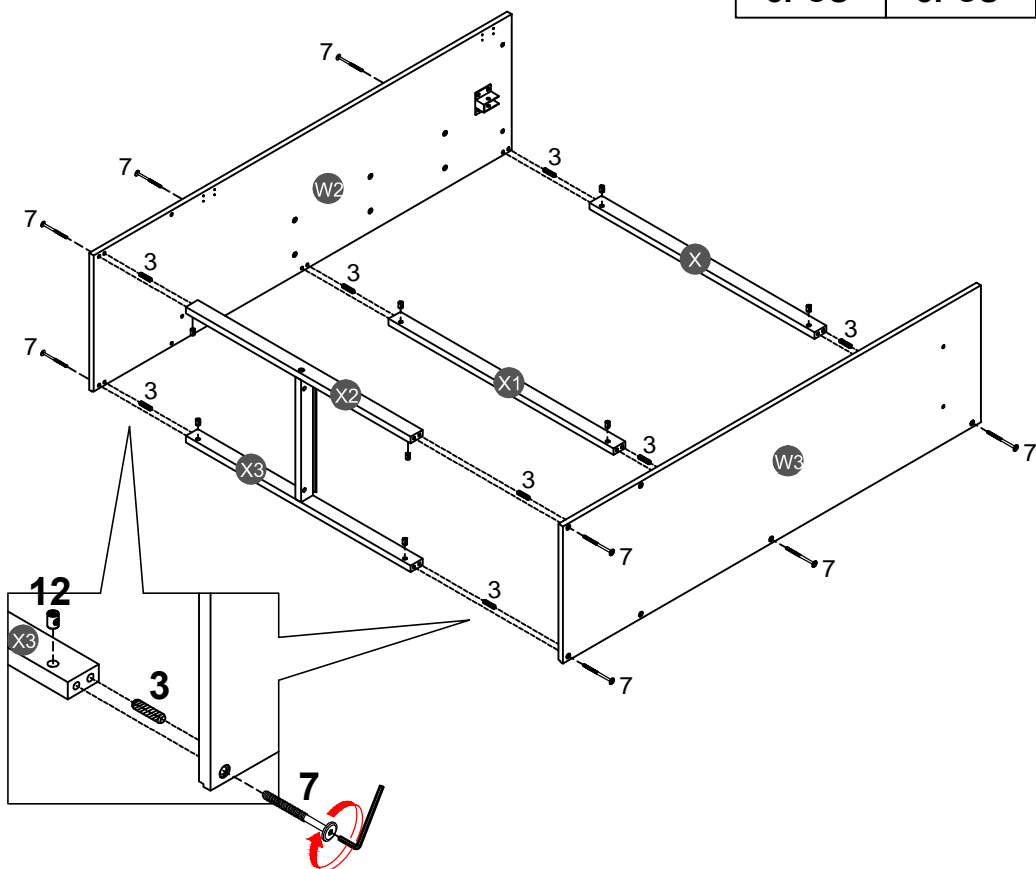
**STEP 7:**

<b>7</b>		<b>12</b>	
<b>2PCS</b>		<b>2PCS</b>	

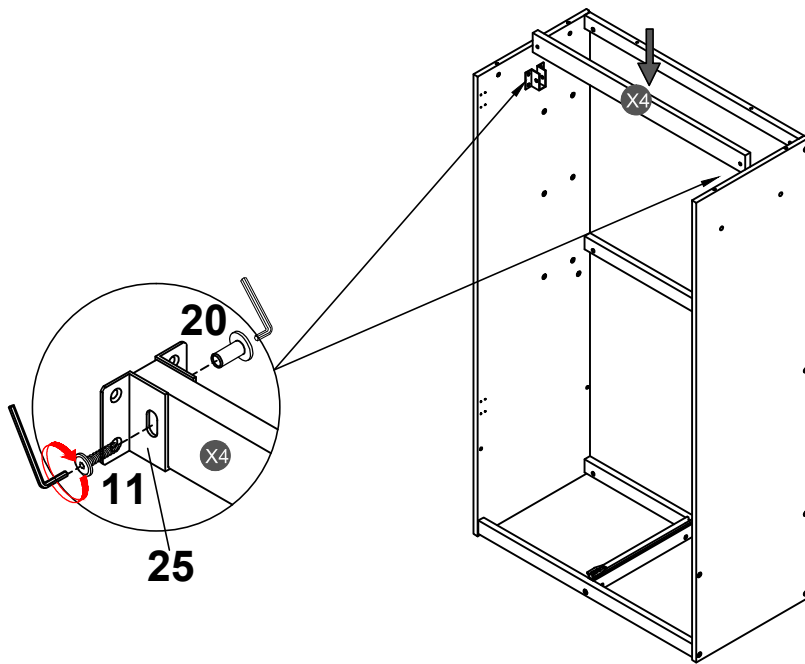



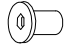
**STEP 8:**

<b>3</b>		<b>7</b>		<b>12</b>	
<b>8PCS</b>		<b>8PCS</b>		<b>8PCS</b>	

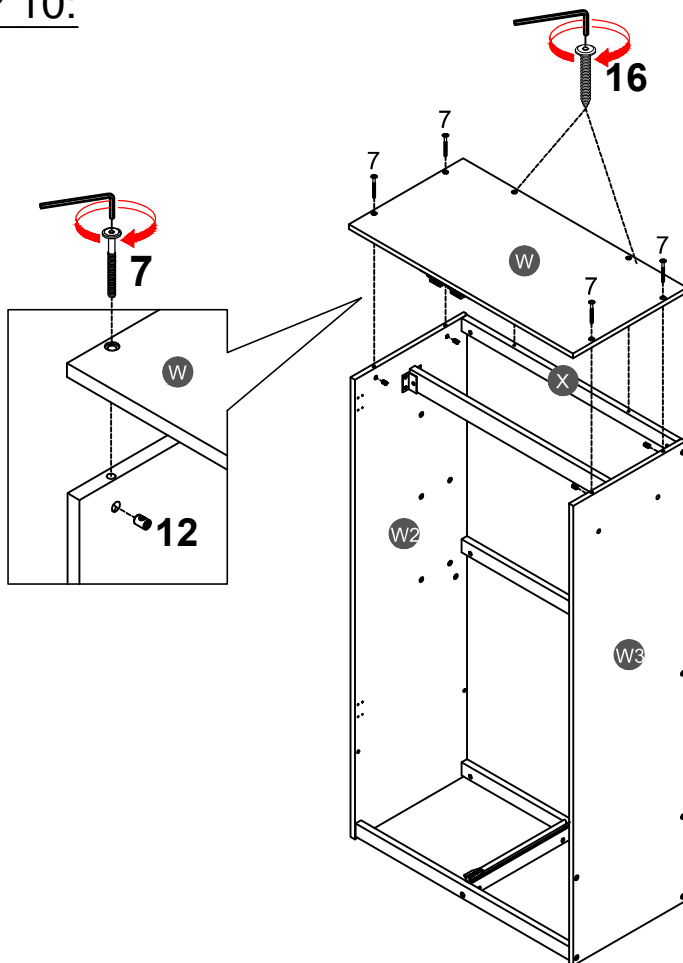





**STEP 9:**



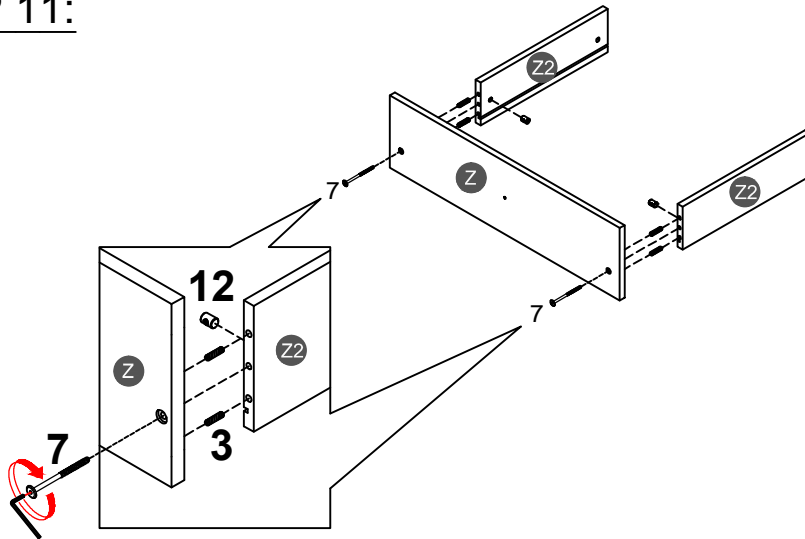
<b>11</b>		<b>20</b>	
	<b>2PCS</b>		<b>2PCS</b>




**STEP 10:**



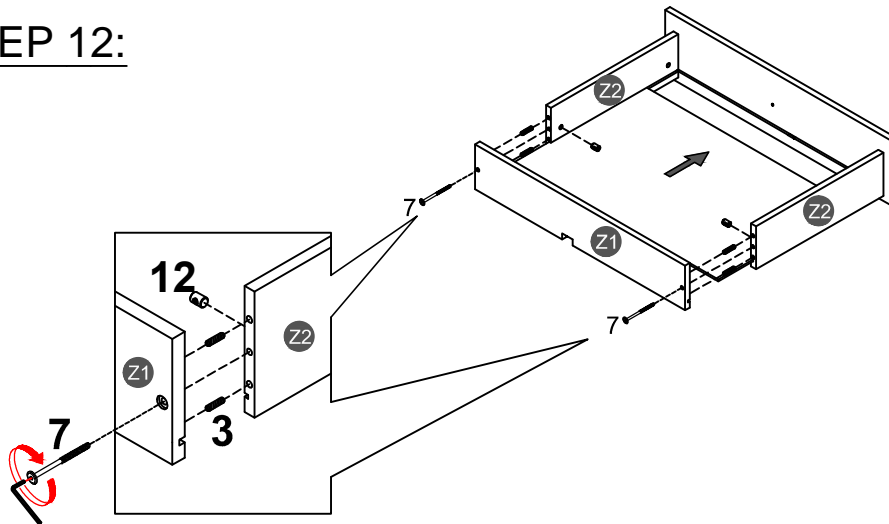
<b>7</b>		<b>12</b>	
	<b>4PCS</b>		<b>4PCS</b>
		<b>16</b>	
			<b>2PCS</b>




**STEP 11:**



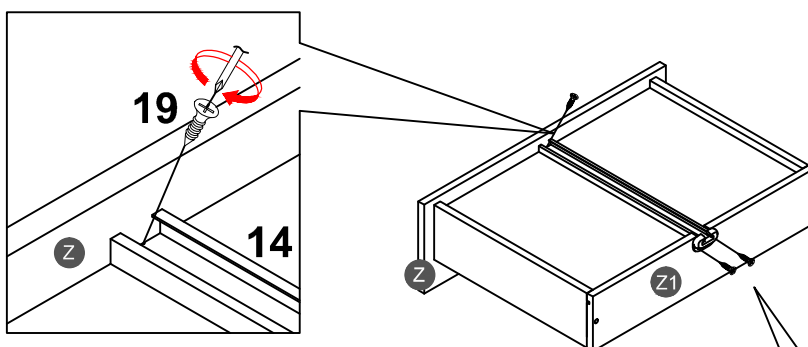
<b>3</b>		<b>7</b>	
<b>4PCS</b>		<b>2PCS</b>	
		<b>12</b>	
		<b>2PCS</b>	



**STEP 12:**

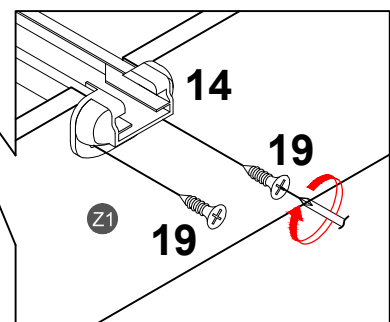
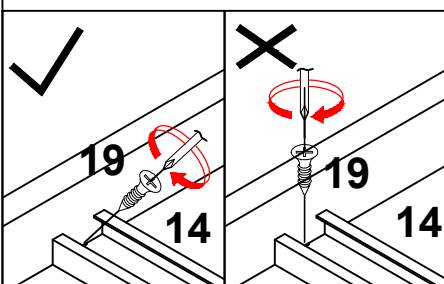


<b>3</b>		<b>7</b>	
<b>4PCS</b>		<b>2PCS</b>	
		<b>12</b>	
		<b>2PCS</b>	



**STEP 13:**

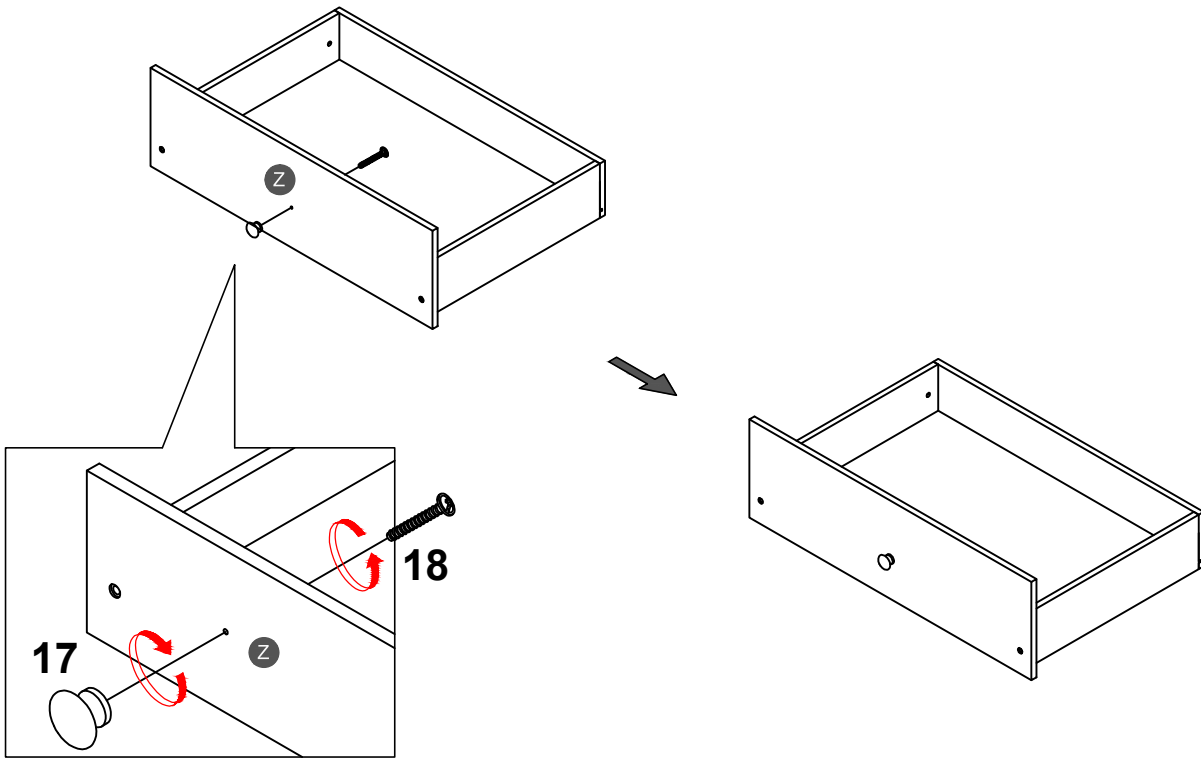


<b>14</b>		<b>19</b>	
<b>1PC</b>		<b>3PCS</b>	





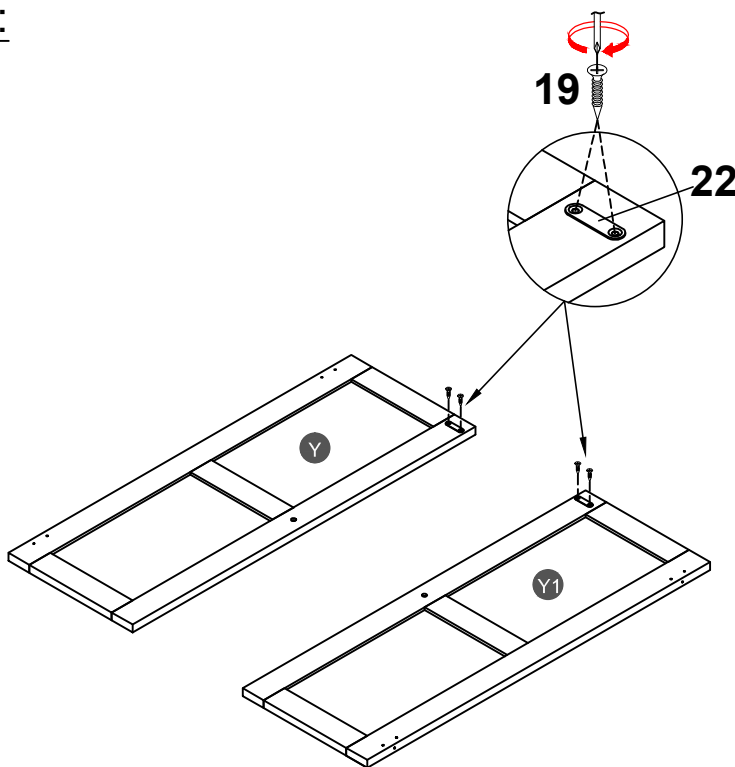
**STEP 14:**

<b>17</b>	<b>18</b>
	
<b>1PC</b>	<b>1PC</b>

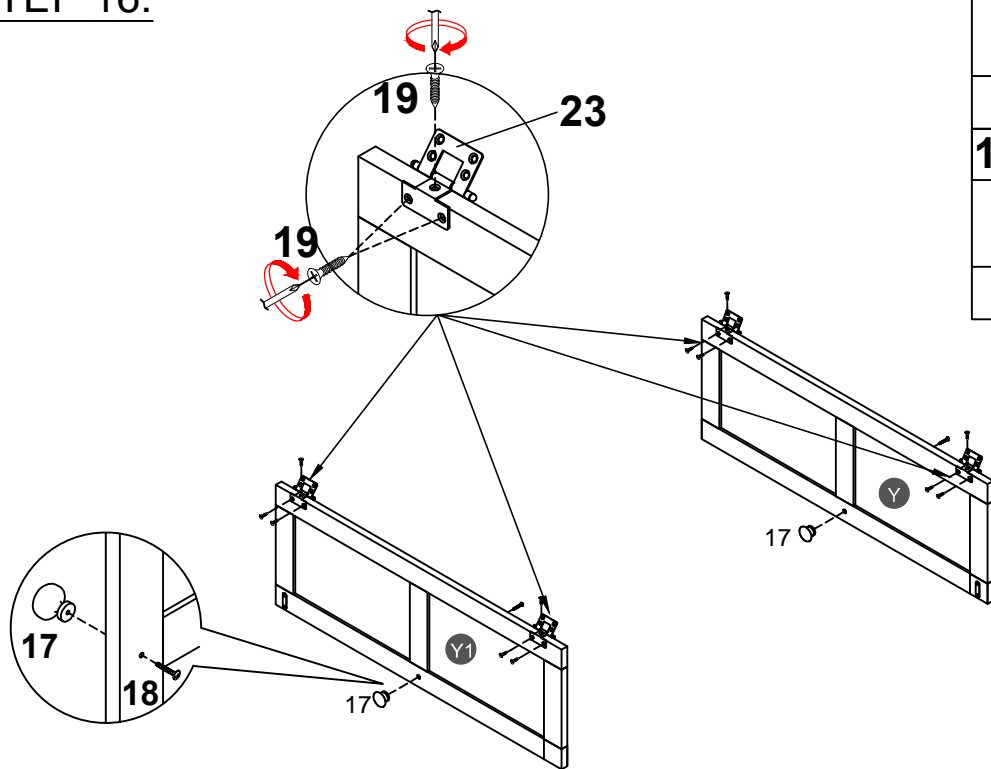


**STEP 15:**

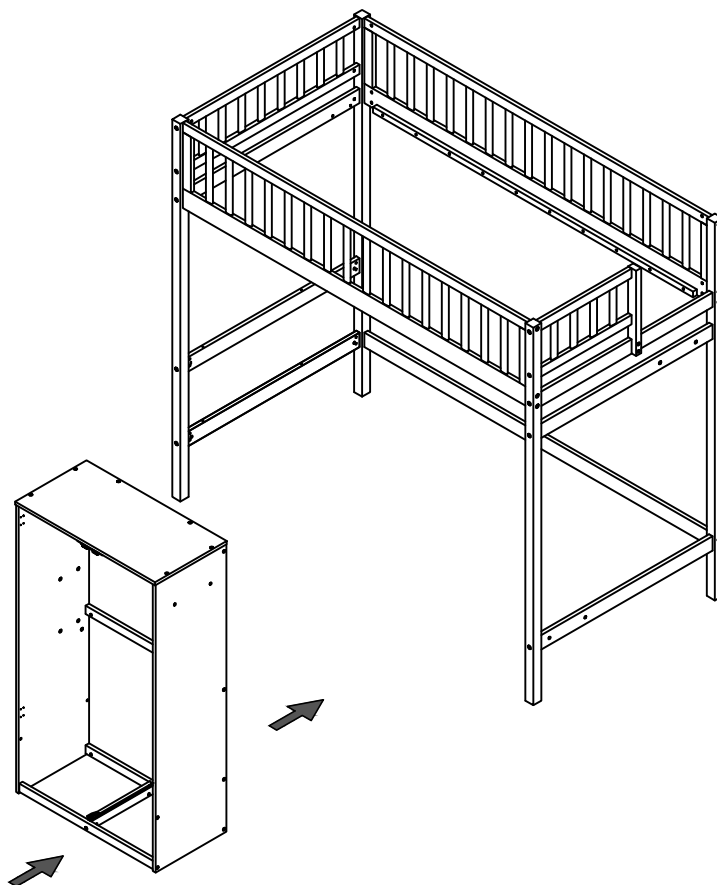
<b>19</b>	<b>22</b>
	
<b>4PCS</b>	<b>2PCS</b>



**STEP 16:**







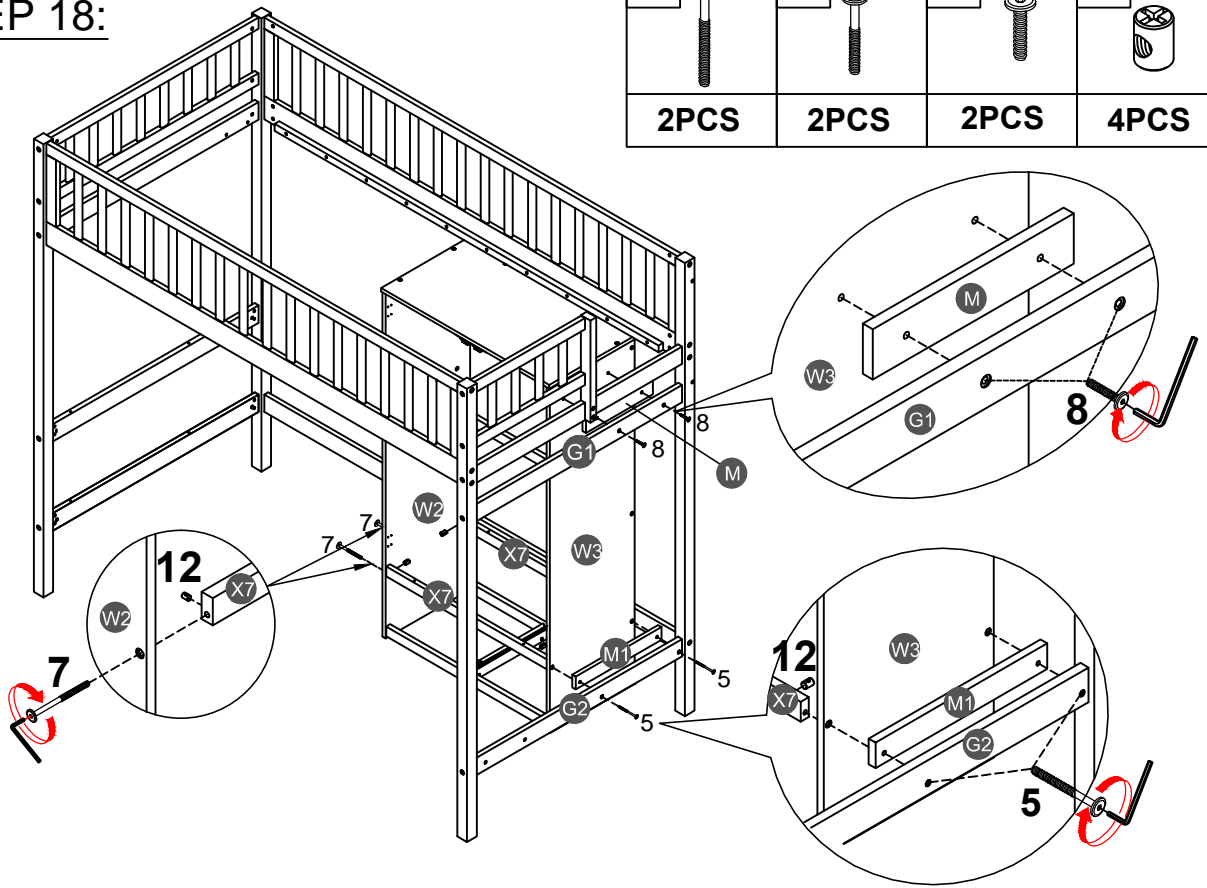
**STEP 17:**




**Note: This product is only suitable for hanging children's clothing**

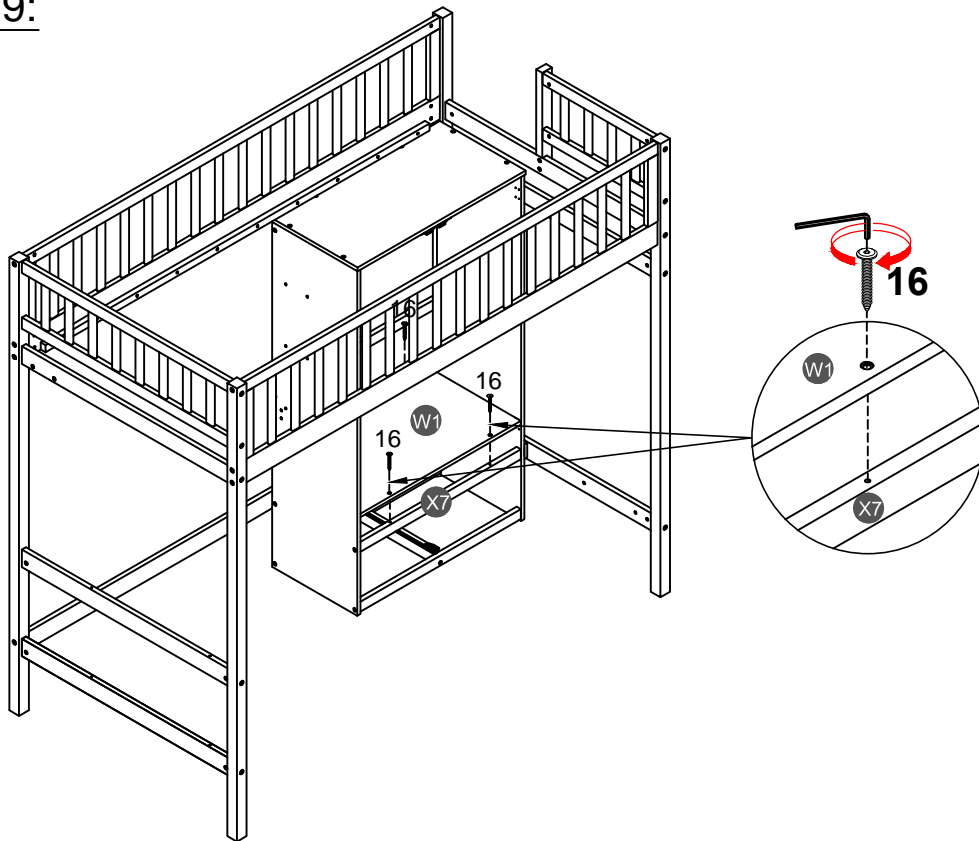
**STEP 18:**

<b>5</b>		<b>7</b>		<b>8</b>		<b>12</b>	
<b>2PCS</b>		<b>2PCS</b>		<b>2PCS</b>		<b>4PCS</b>	



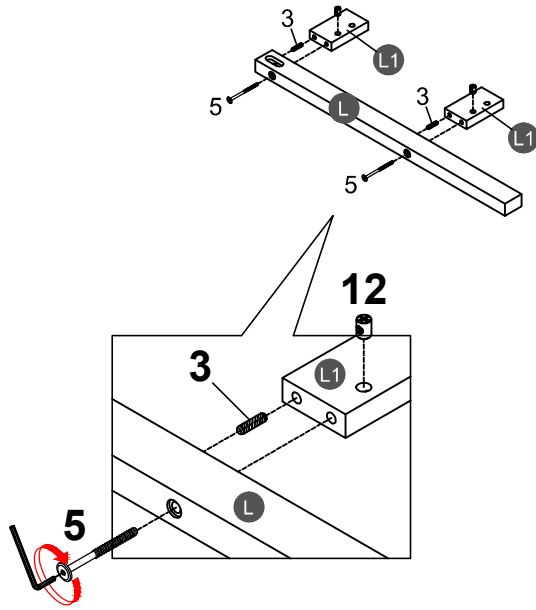
**STEP 19:**

<b>16</b>	
<b>4PCS</b>	



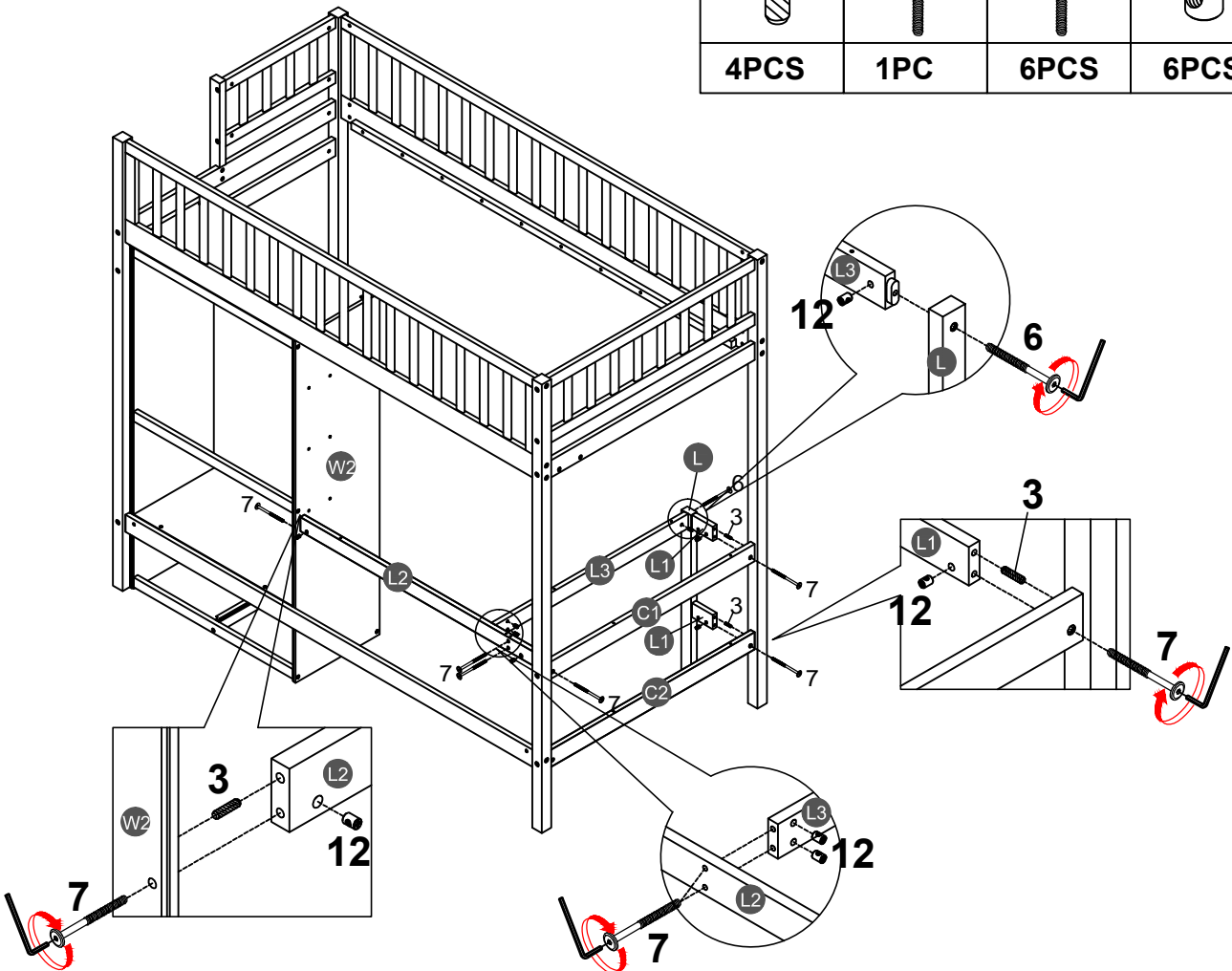


**STEP 20:**






<b>3</b>		<b>5</b>	
<b>2PCS</b>		<b>2PCS</b>	
		<b>12</b>	
		<b>2PCS</b>	

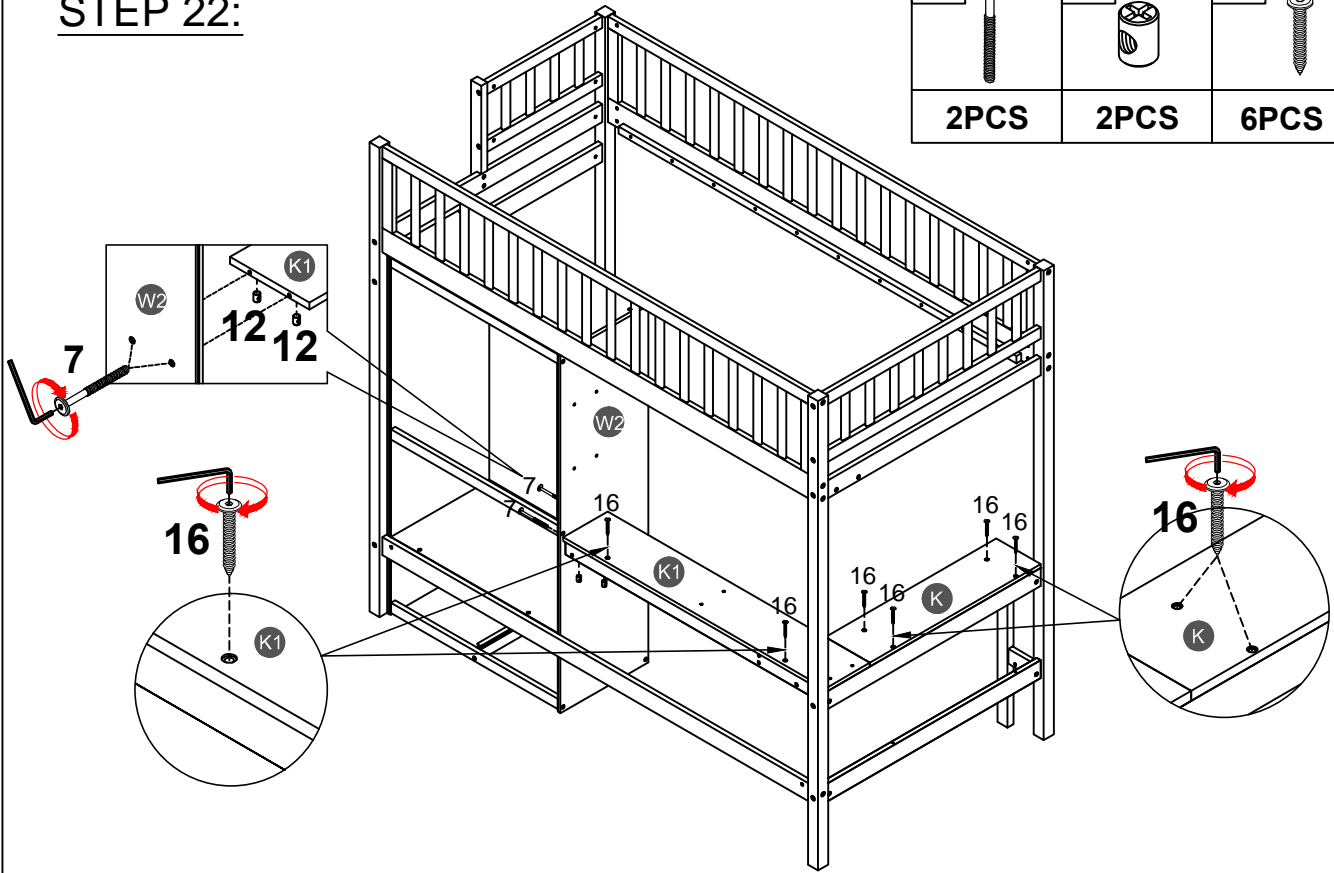
**STEP 21:**






<b>3</b>		<b>6</b>		<b>7</b>		<b>12</b>	
<b>4PCS</b>		<b>1PC</b>	<b>6PCS</b>		<b>6PCS</b>		

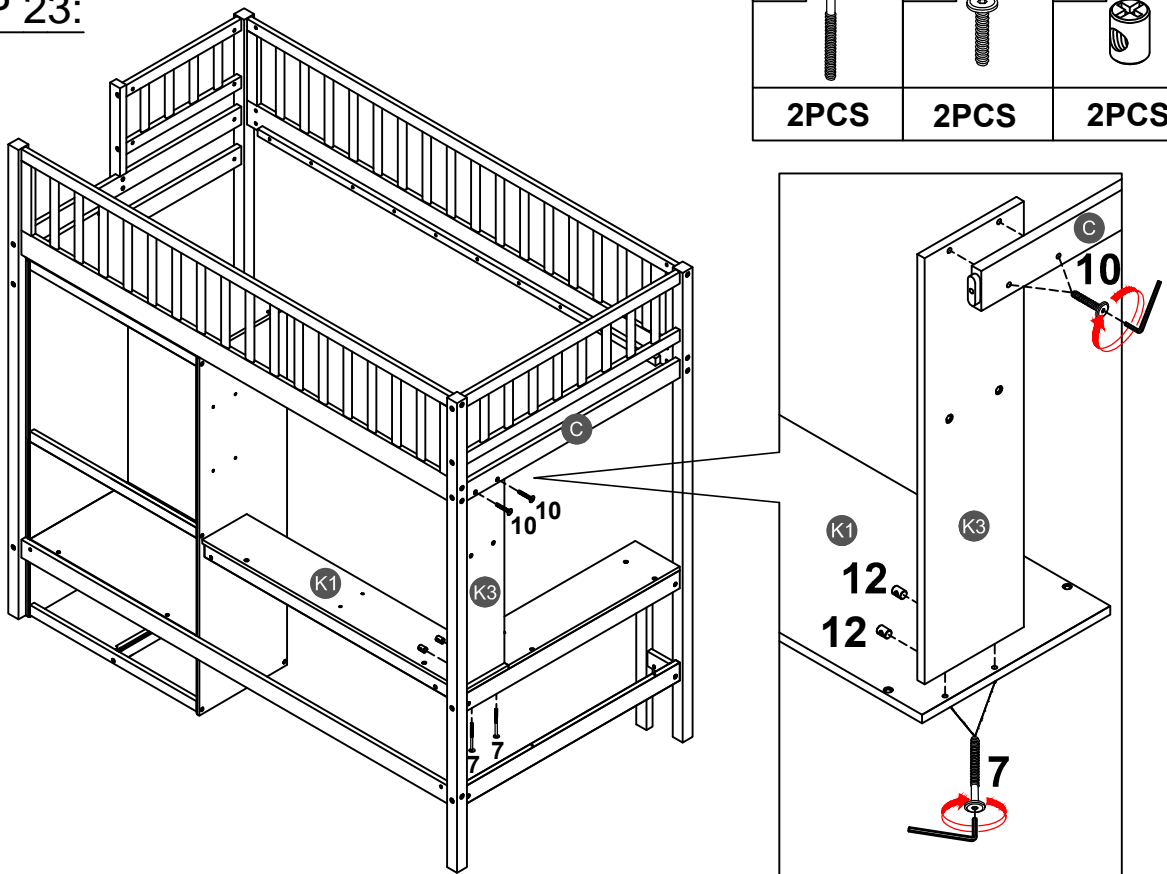
**STEP 22:**

<b>7</b> 	<b>12</b> 	<b>16</b> 
<b>2PCS</b>	<b>2PCS</b>	<b>6PCS</b>





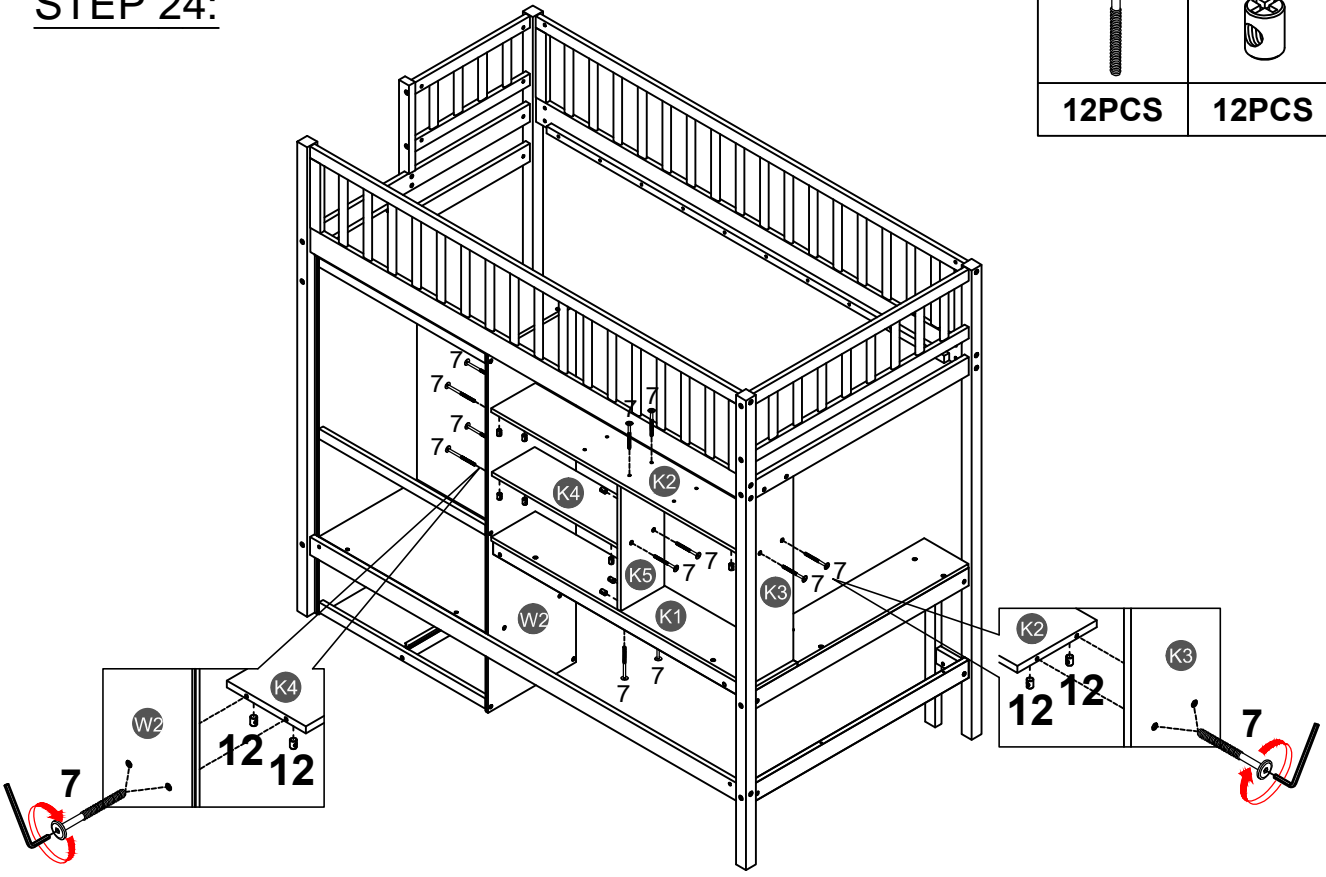
**STEP 23:**

<b>7</b> 	<b>10</b> 	<b>12</b> 
<b>2PCS</b>	<b>2PCS</b>	<b>2PCS</b>





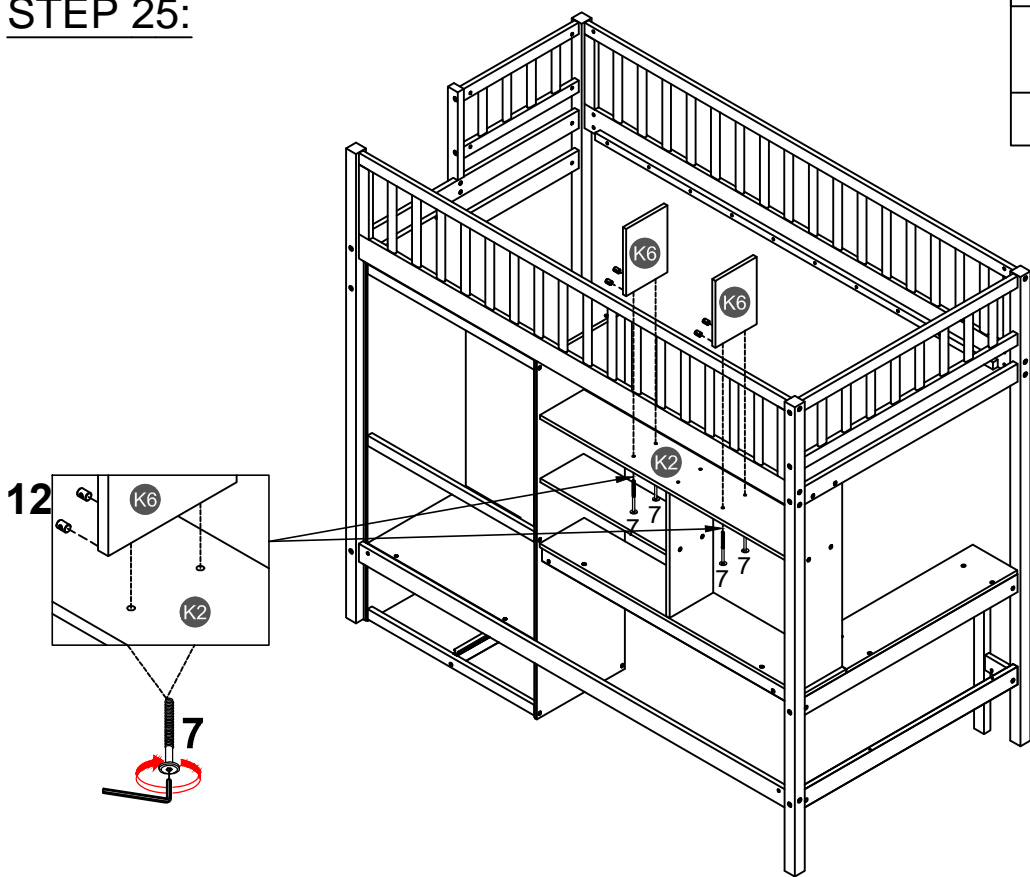
**STEP 24:**

<b>7</b>		<b>12</b>	
<b>12PCS</b>		<b>12PCS</b>	

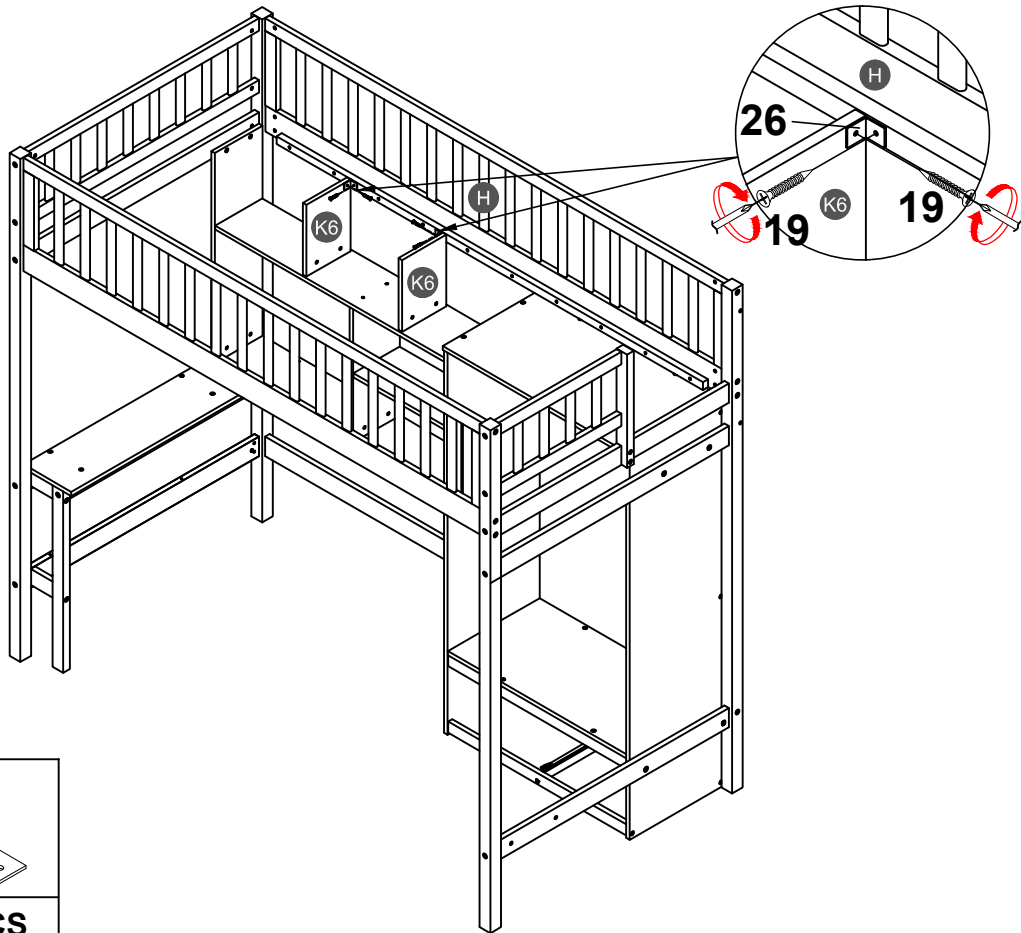



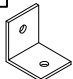
**STEP 25:**

<b>7</b>		<b>12</b>	
<b>4PCS</b>		<b>4PCS</b>	

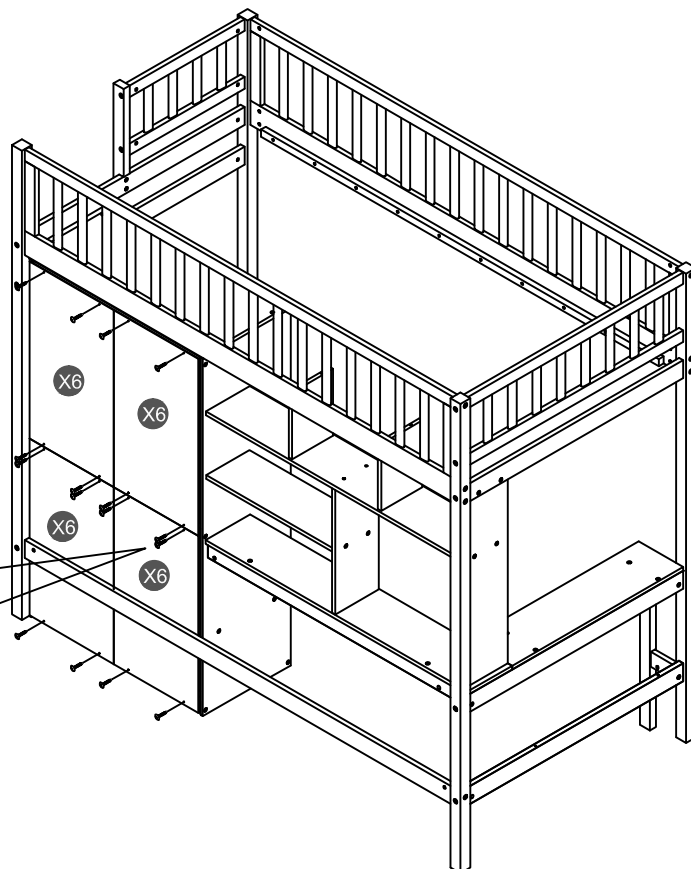



**STEP 26:**

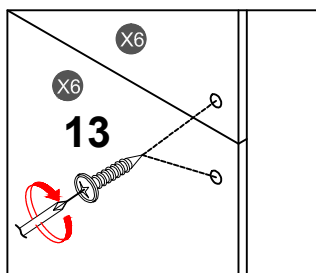


<b>19</b> 	<b>26</b> 
<b>4PCS</b>	<b>2PCS</b>

**STEP 27:**



<b>13</b> 
<b>16PCS</b>

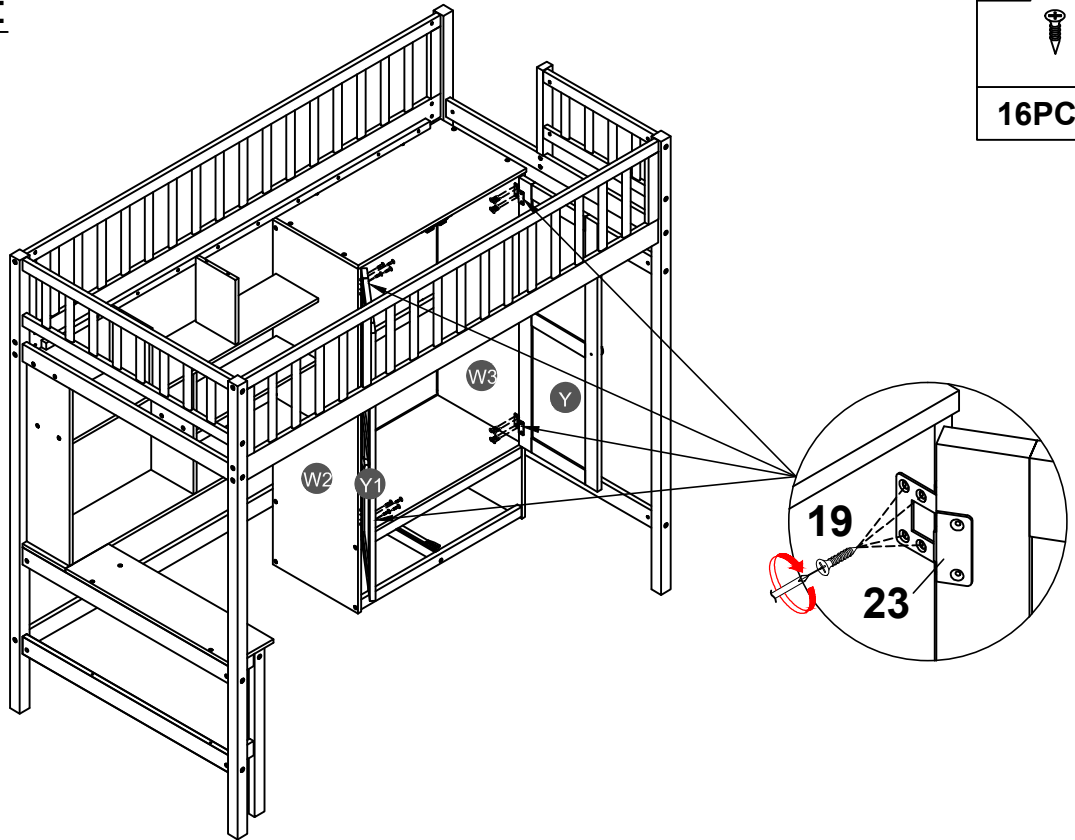


**STEP 28:**

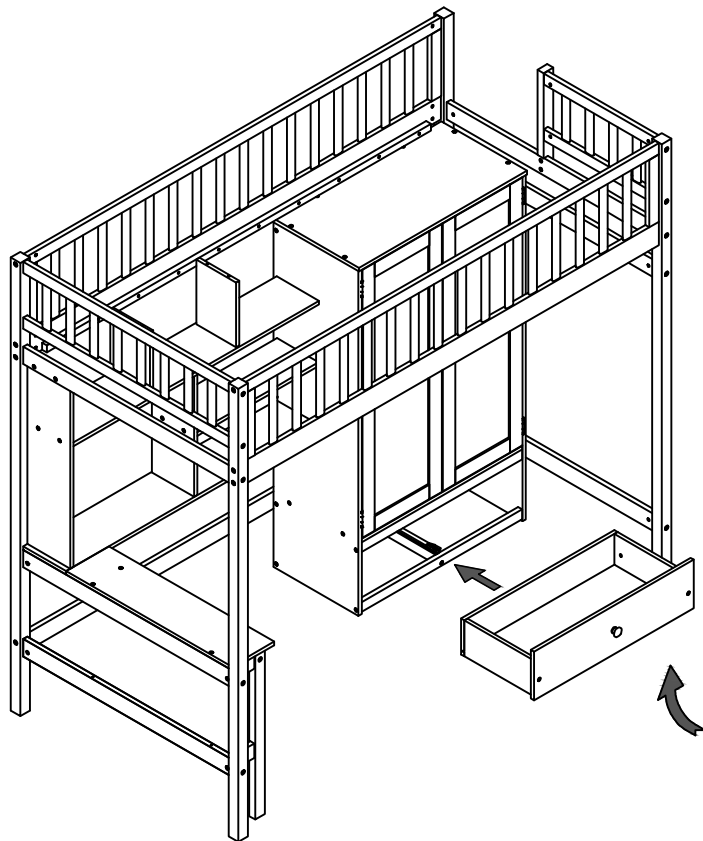
**19**





**16PCS**

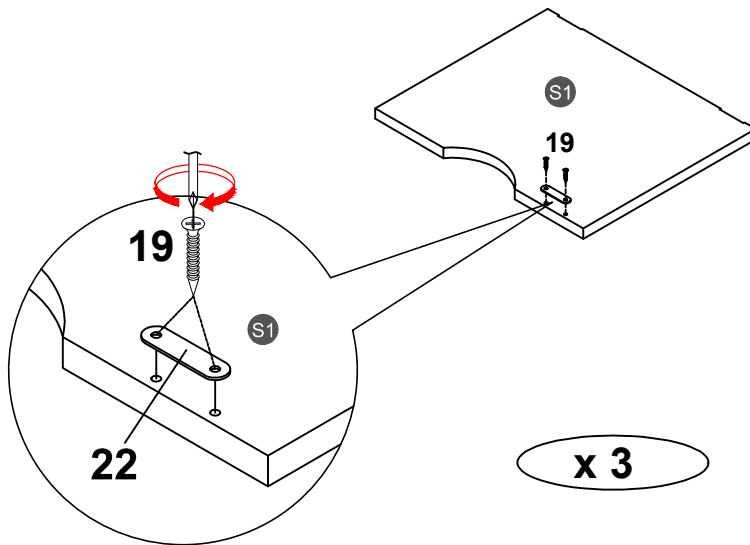


**STEP 29:**


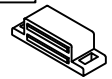


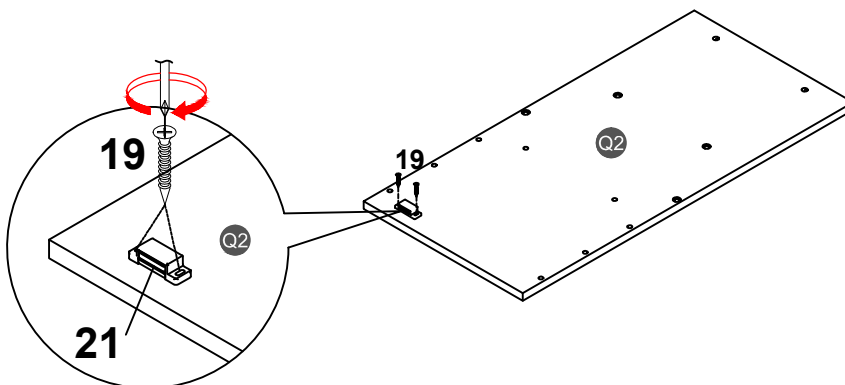
STEP 30:

<b>19</b>		<b>22</b>	
<b>6PCS</b>		<b>3PCS</b>	


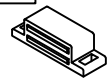


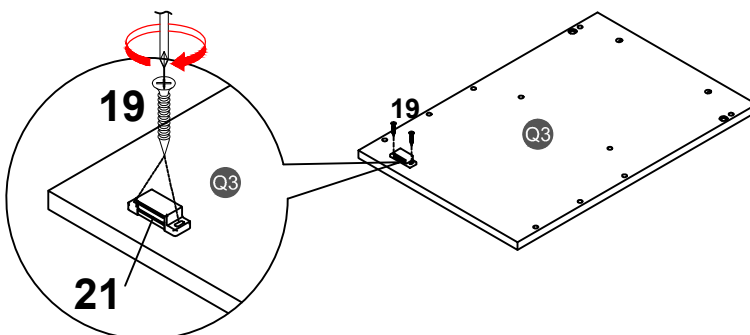
STEP 31:

<b>19</b>		<b>21</b>	
<b>2PCS</b>		<b>1PC</b>	


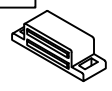


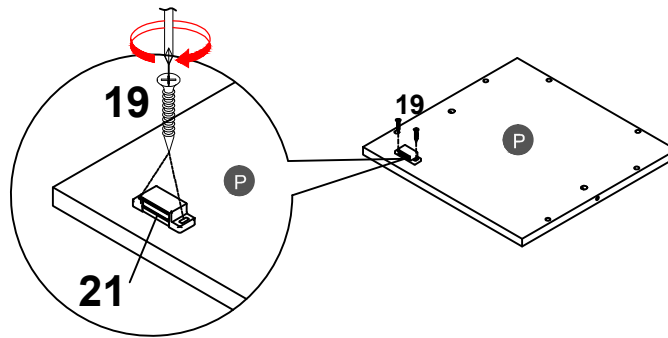
STEP 32:

<b>19</b>		<b>21</b>	
<b>2PCS</b>		<b>1PC</b>	





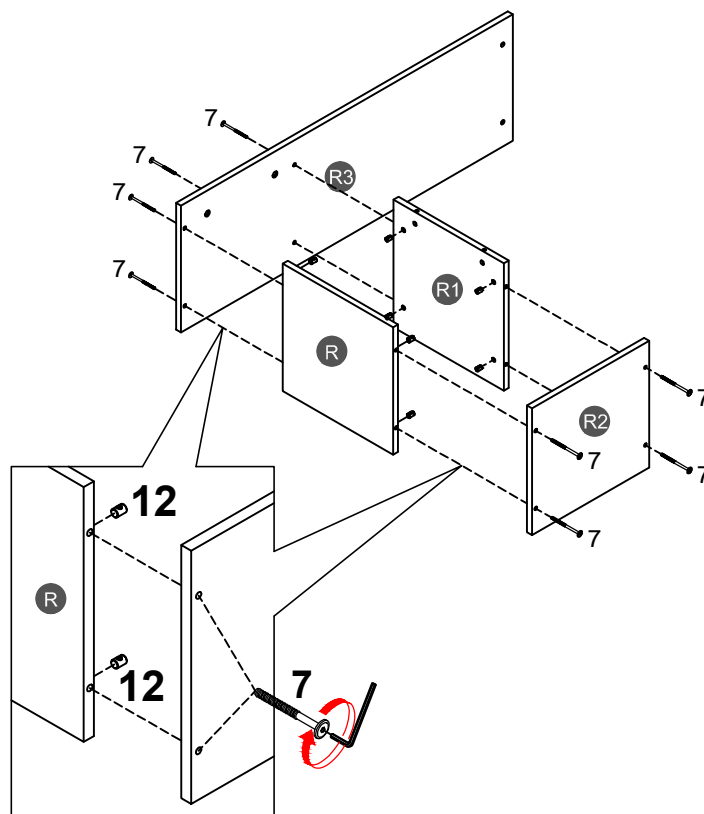
STEP 33:

<b>19</b>		<b>21</b>	
<b>2PCS</b>		<b>1PC</b>	






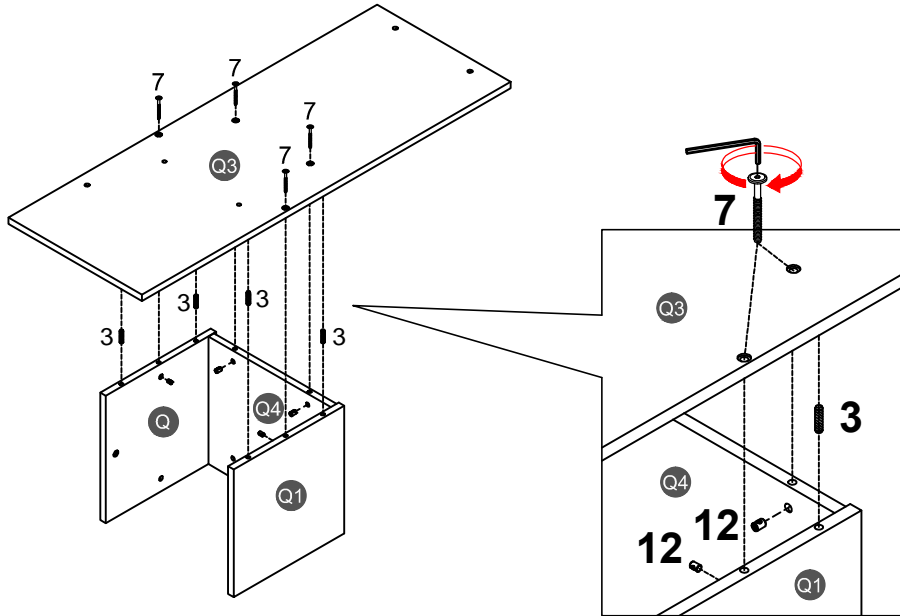
STEP 34:

<b>7</b>		<b>12</b>	
<b>8PCS</b>		<b>8PCS</b>	





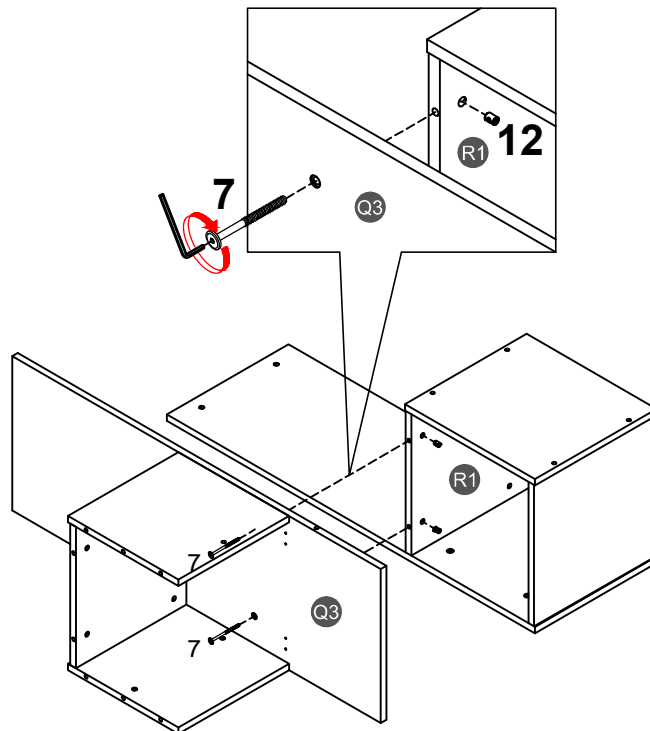
**STEP 35:**

<b>3</b> 	<b>7</b> 	<b>12</b> 
<b>4PCS</b>	<b>4PCS</b>	<b>4PCS</b>






**STEP 36:**

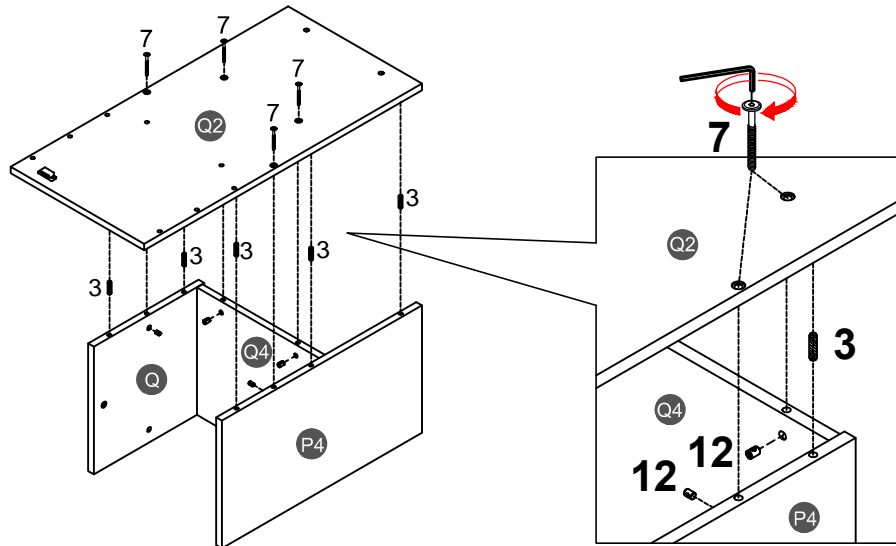
<b>7</b> 	<b>12</b> 
<b>2PCS</b>	<b>2PCS</b>








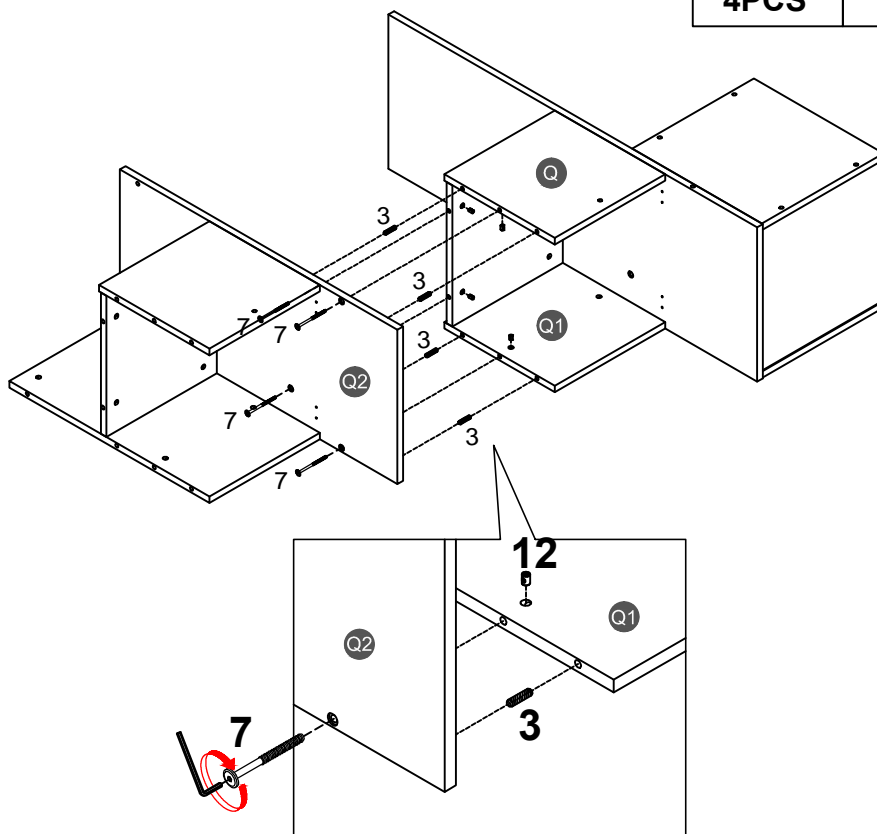
**STEP 37:**

<b>3</b> 	<b>7</b> 	<b>12</b> 
<b>5PCS</b>	<b>4PCS</b>	<b>4PCS</b>






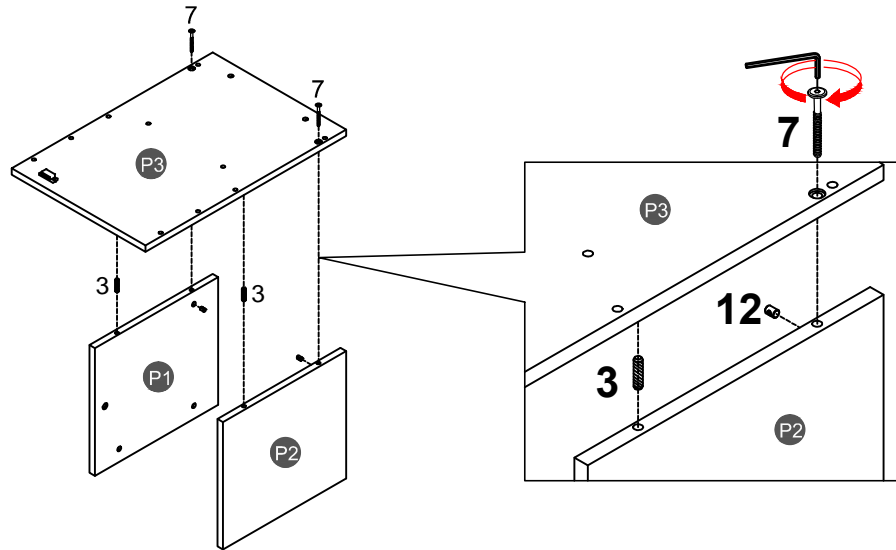
**STEP 38:**

<b>3</b> 	<b>7</b> 	<b>12</b> 
<b>4PCS</b>	<b>4PCS</b>	<b>4PCS</b>





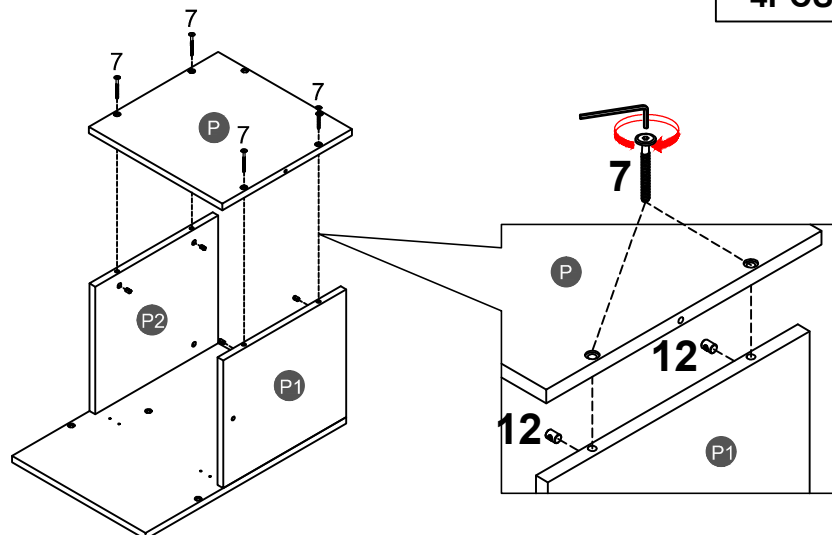
STEP 39:

3		7		12	
2PCS		2PCS		2PCS	

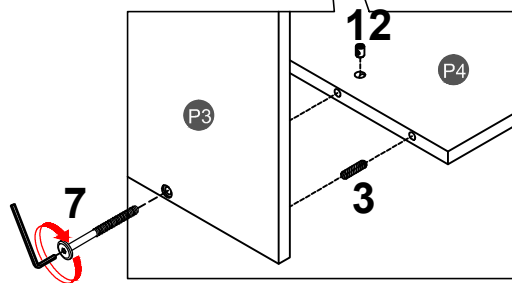
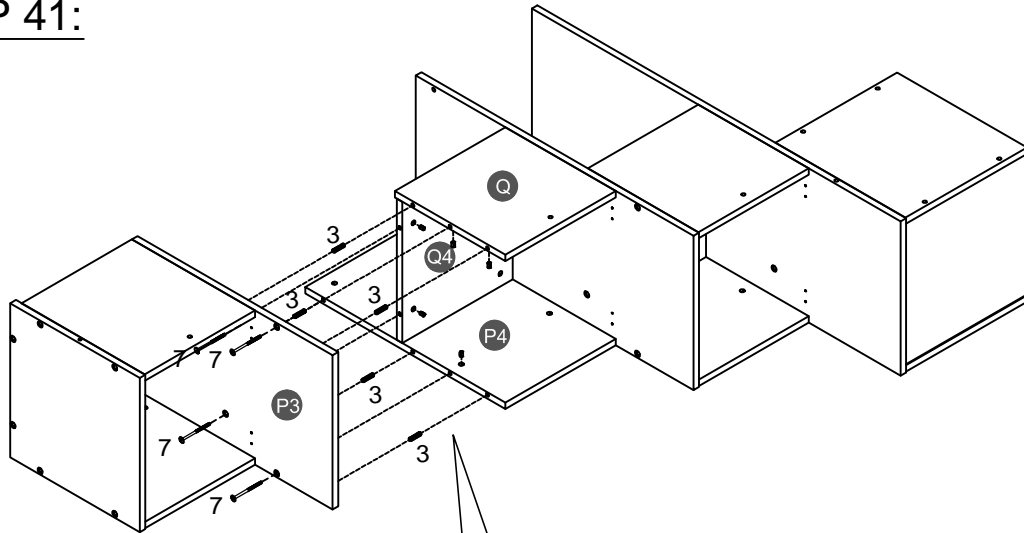





STEP 40:

7		12	
4PCS		4PCS	

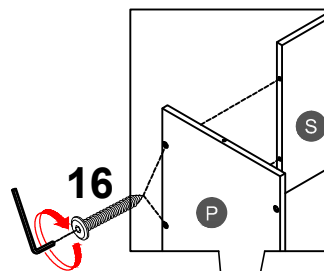
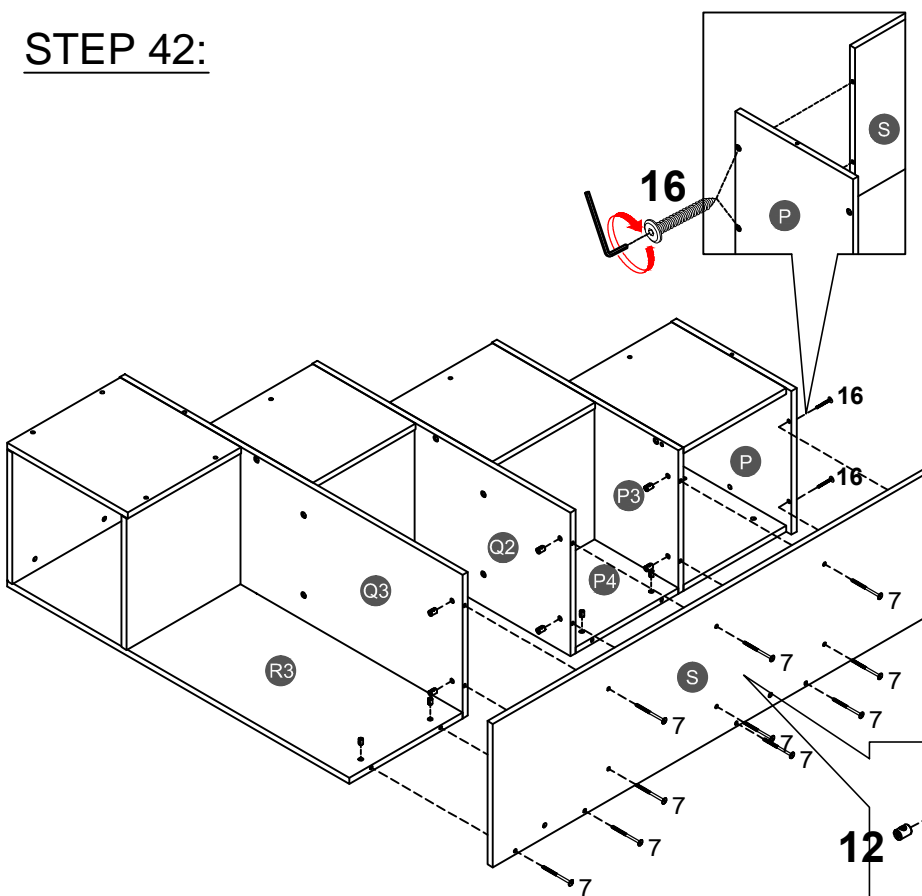




### STEP 41:




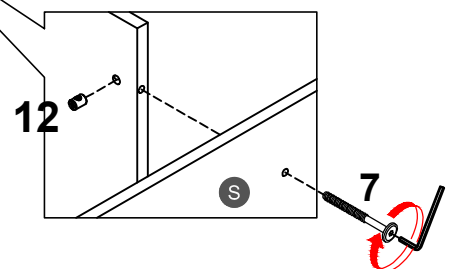
<b>3</b>		<b>7</b>		<b>12</b>	
<b>5PCS</b>		<b>4PCS</b>		<b>4PCS</b>	

### STEP 42:

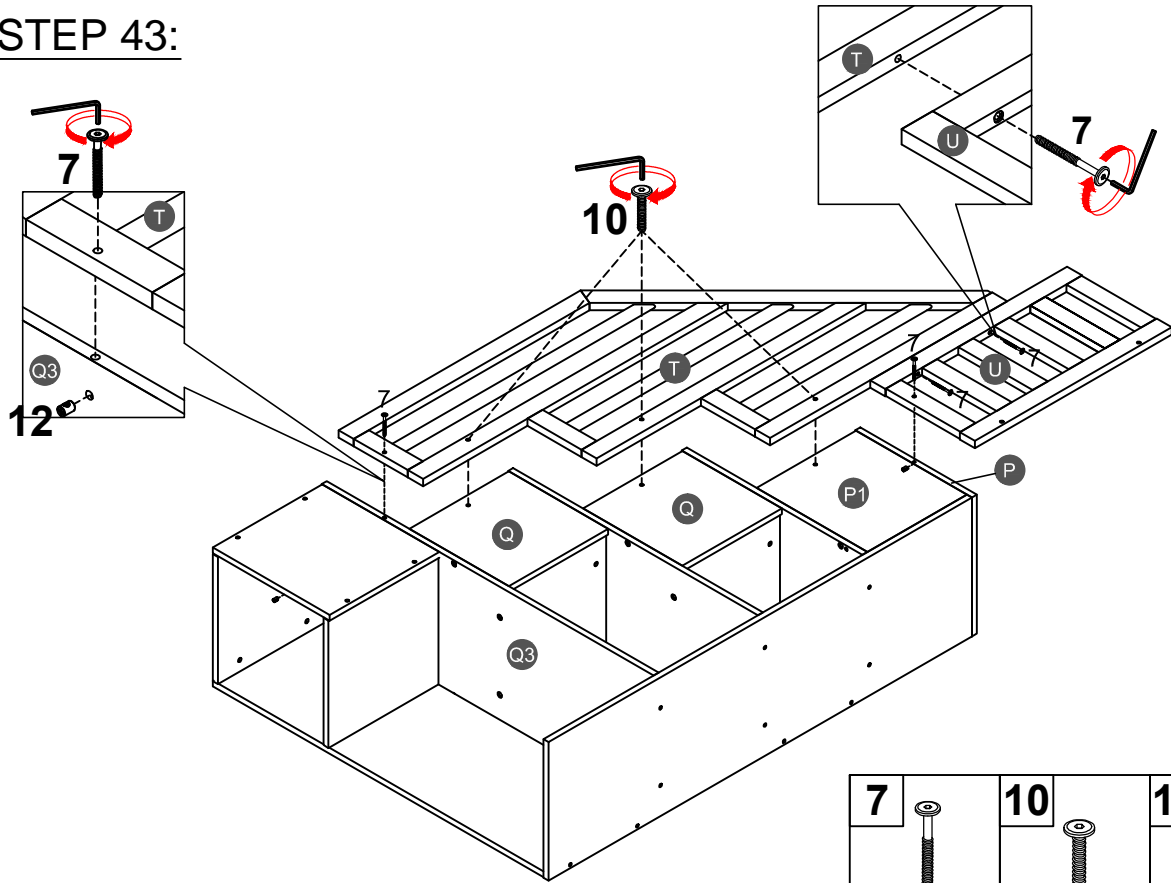





<b>7</b>		<b>16</b>	
<b>10PCS</b>		<b>2PCS</b>	

<b>12</b>	
<b>10PCS</b>	

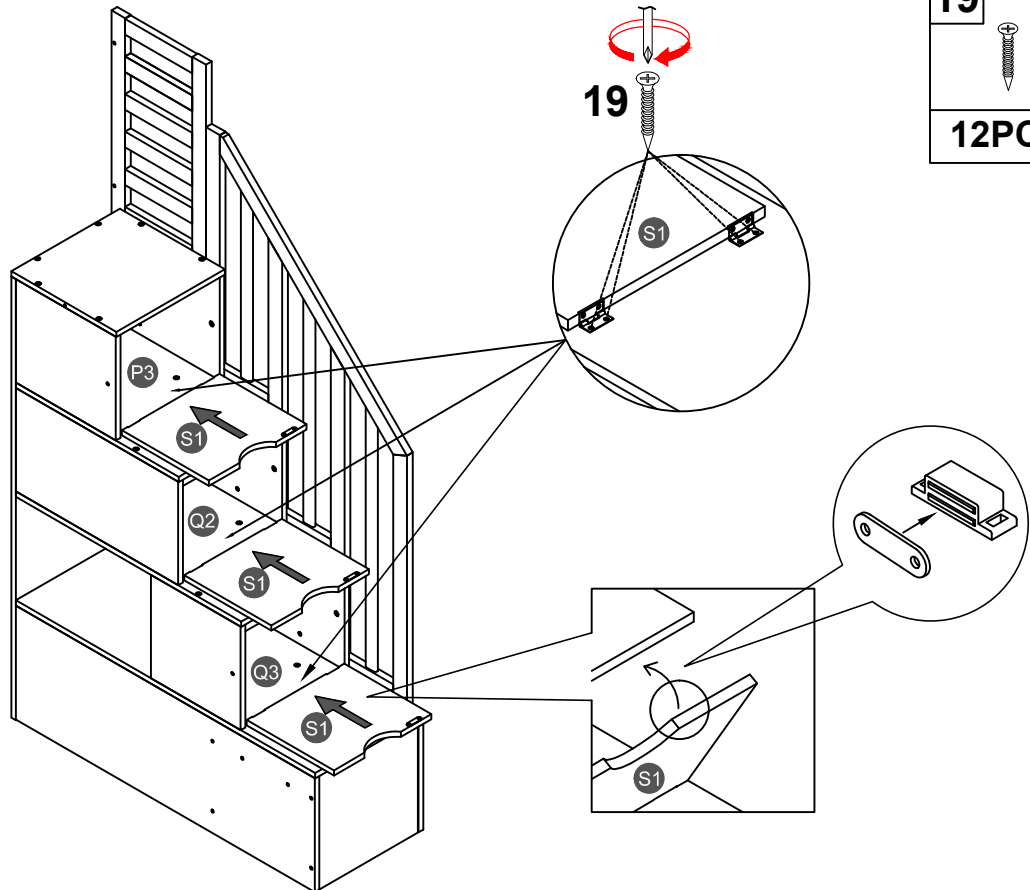



**STEP 43:**



<b>7</b>	<b>10</b>	<b>12</b>
		
<b>4PCS</b>	<b>3PCS</b>	<b>2PCS</b>

**STEP 44:**



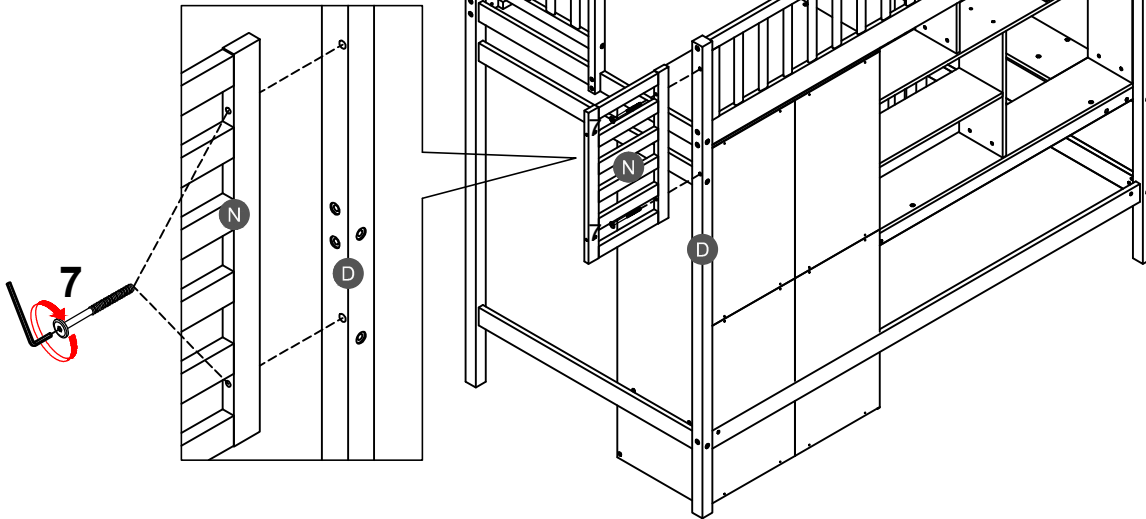
<b>19</b>

<b>12PCS</b>

**STEP 45:**

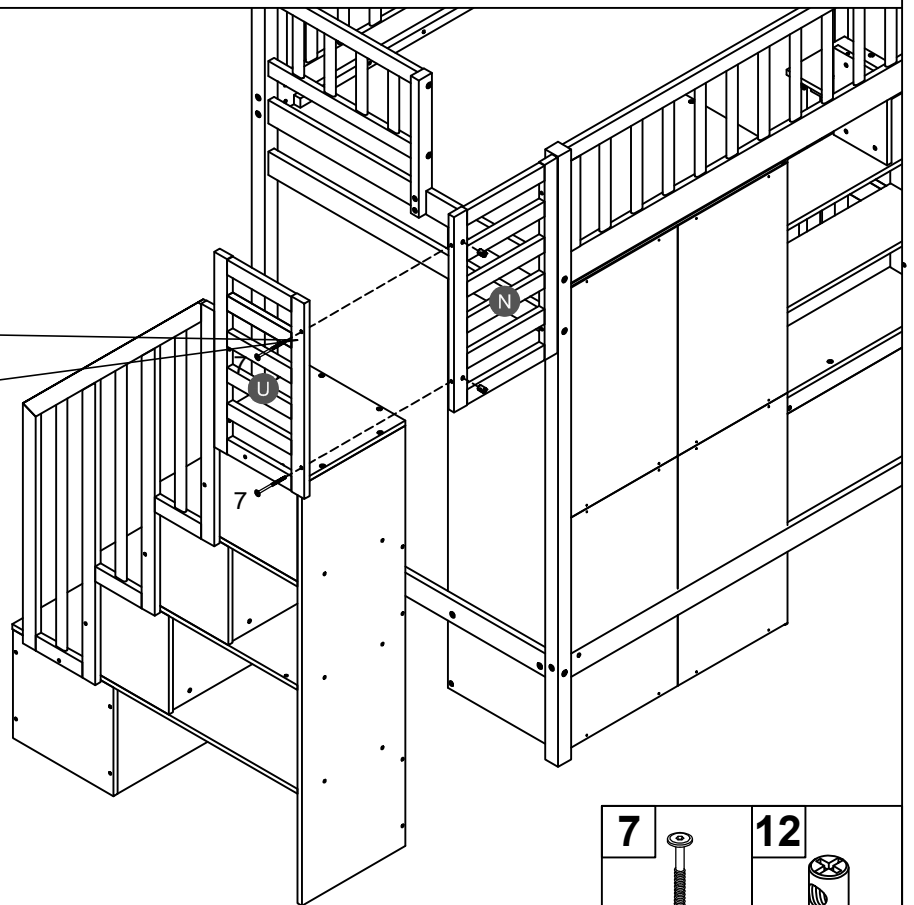
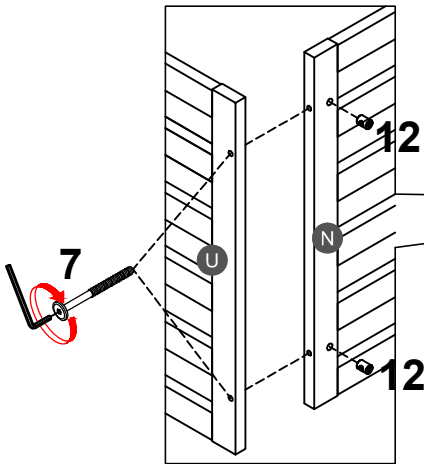
**7**



**2PCS**



**STEP 46:**



**7**



**2PCS**

**12**



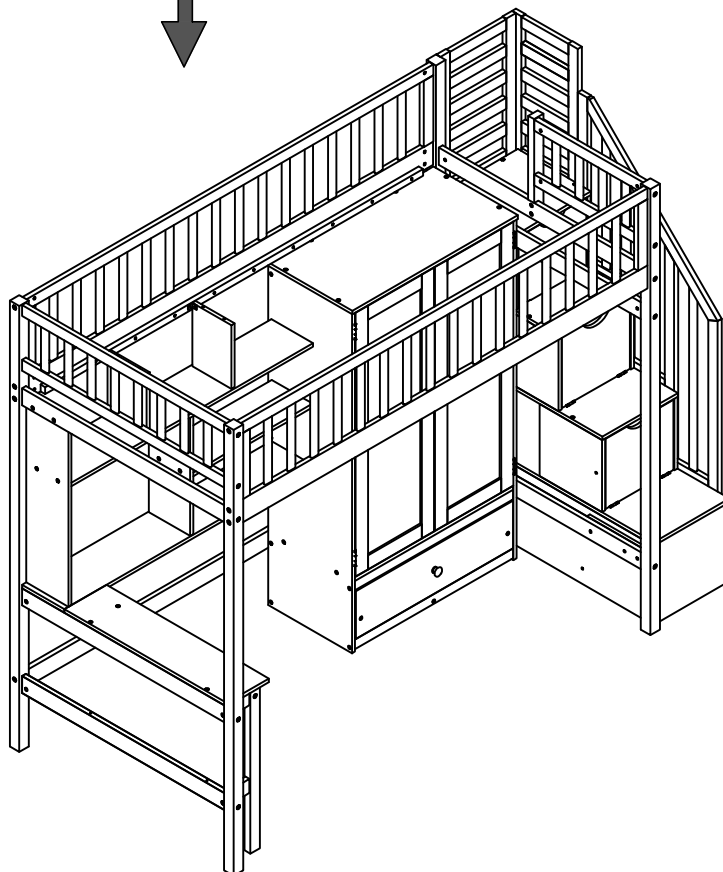
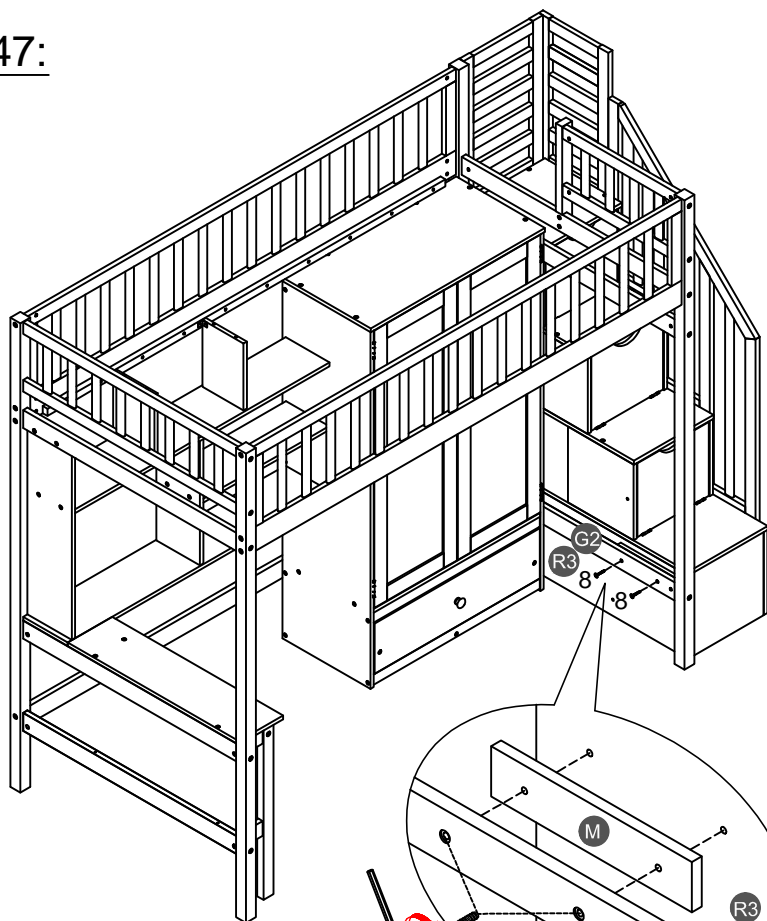
**2PCS**

**STEP 47:**

8



2PCS

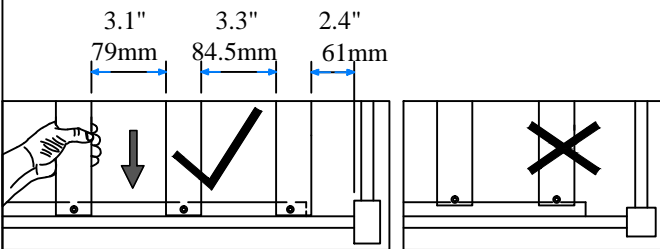
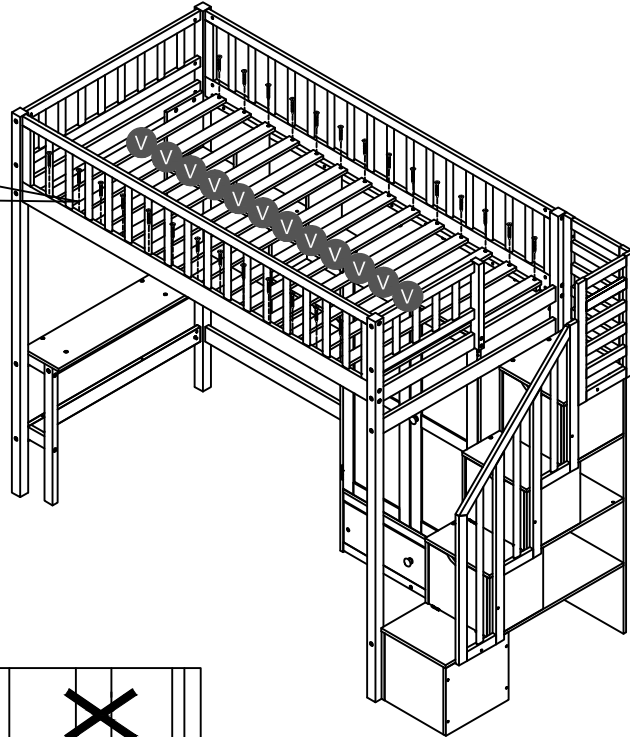
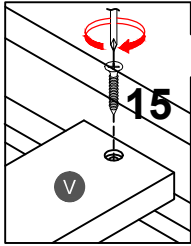


**STEP 48:**

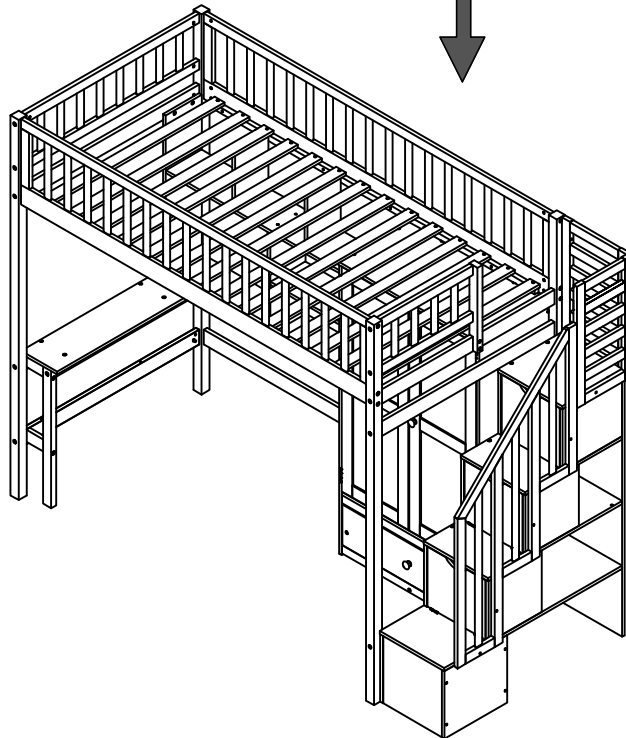
15



28PCS



Note: Do not lock the screws of the bed slats to the outermost edge of the bed slats, you need to leave a certain space at the edges, otherwise it will cause the board to break. Do not lock the bed slats on the edge of the wood, please hold firmly before screwing , hold it in place with one hand, then lock the screw.



**Make sure to tighten all the screws of the bed.**