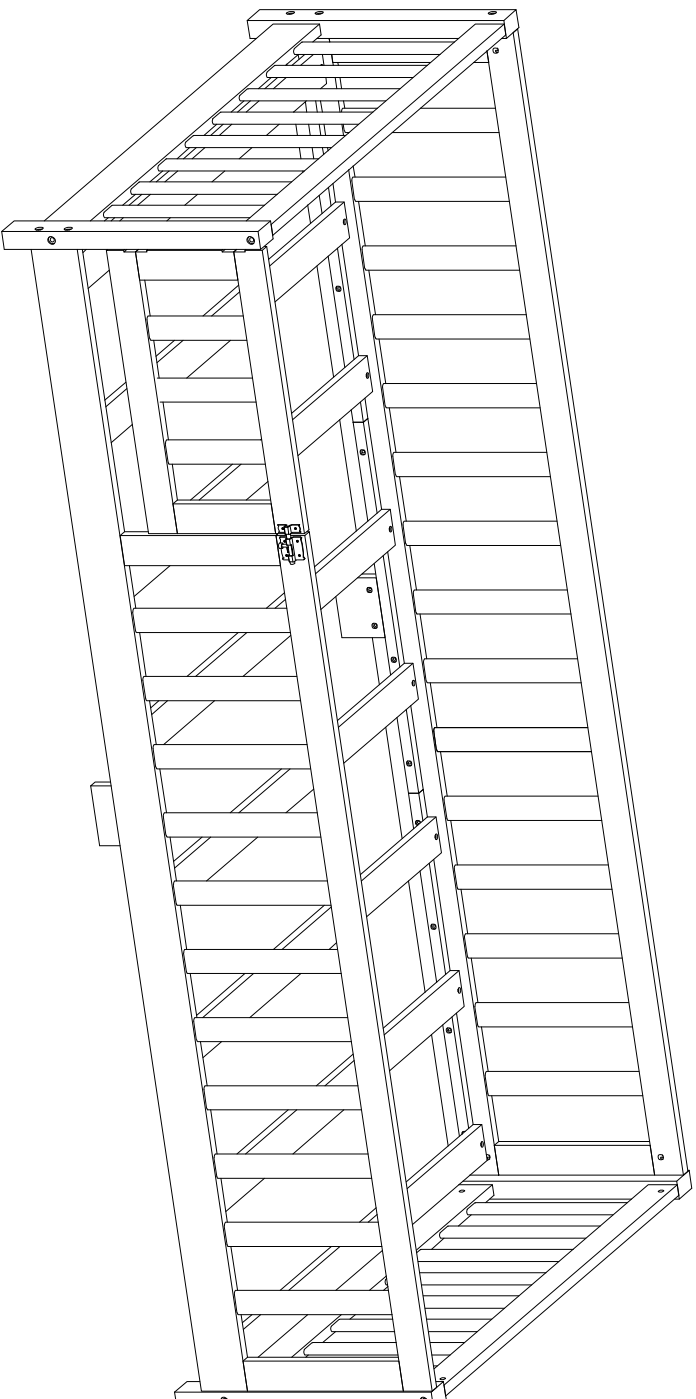


# ASSEMBLY INSTRUCTION

FLOOR BED TWIN - BW00011

PAGE: 1 OF 10

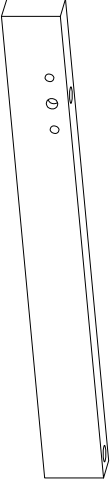
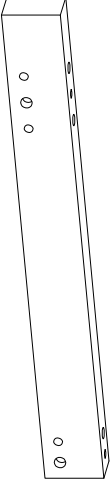
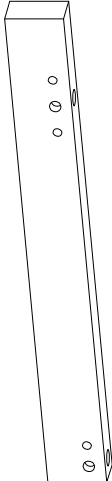
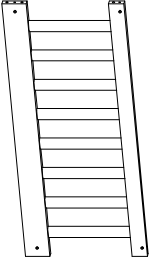
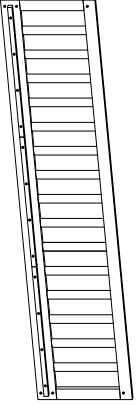
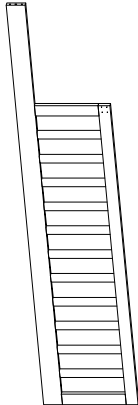
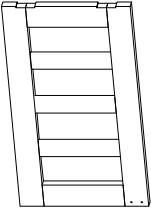

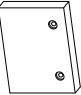


## IMPORTANT NOTE

1. PLACE ALL PARTS ON A CLEAN AND SMOOTH SURFACE SUCH AS A RUG OR CARPET TO AVOID THE PARTS FROM BEING SCRATCHED
2. BEFORE YOU BEGIN, KINDLY FOLLOW THE ASSEMBLY INSTRUCTIONS STEP BY STEP
3. DO NOT TIGHTEN ALL SCREWS AND BOLTS UNTIL THE BED IS FULLY SET-UP

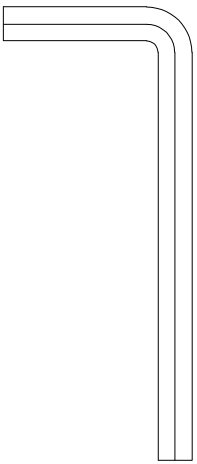
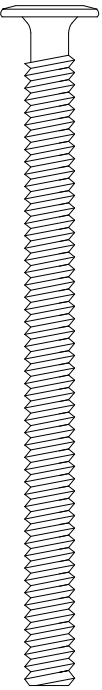
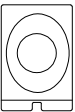

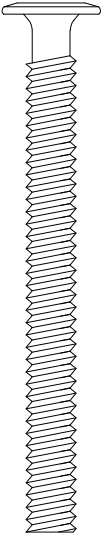
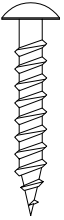

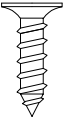
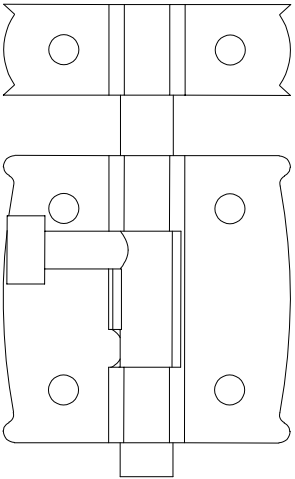
# ASSEMBLY INSTRUCTION

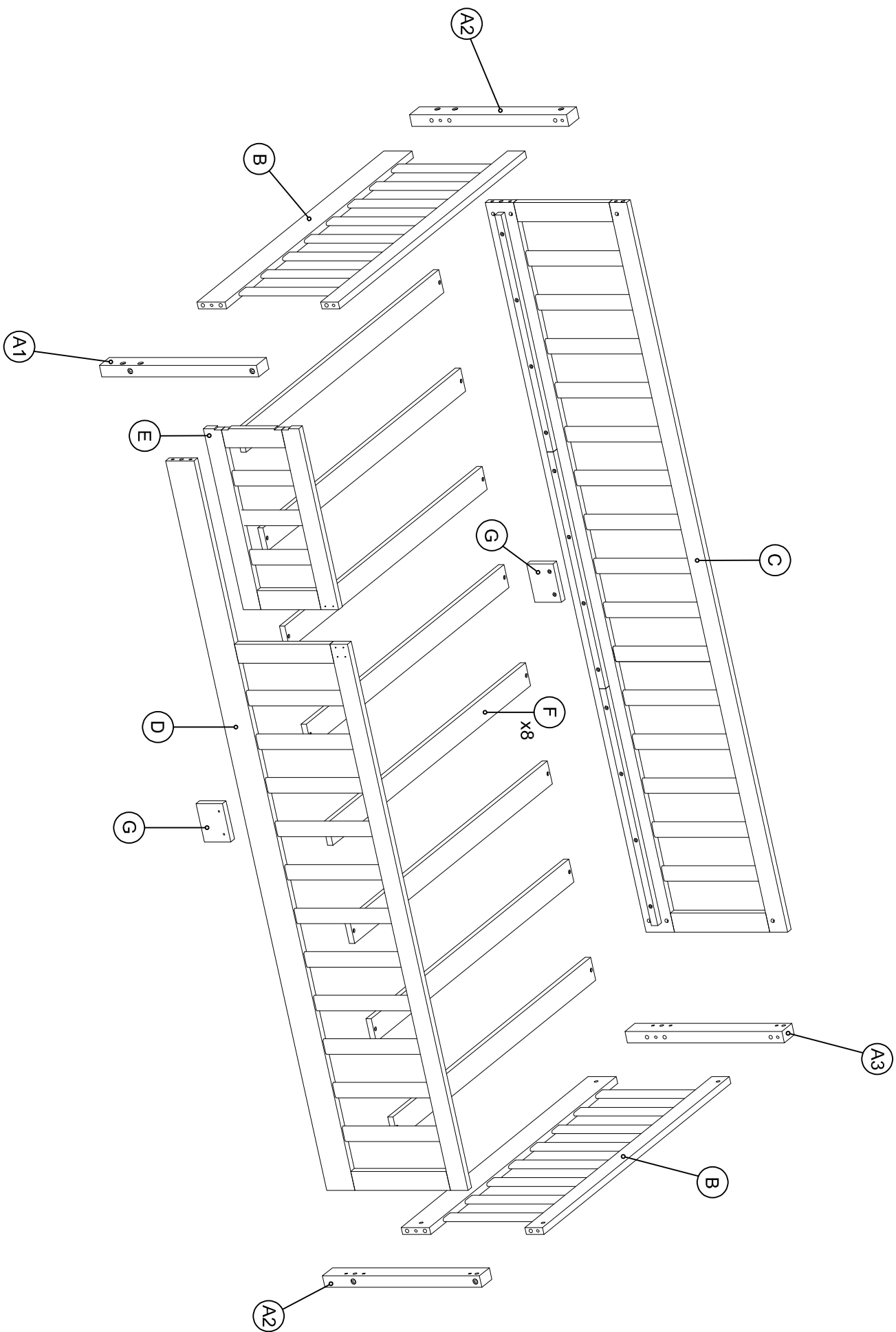
## PART LIST BW00011

A1	A2	A3
 <p>FRONT LEG LEFT (1PC)</p>	 <p>BACK LEG (2PCS)</p>	 <p>BACK LEG RIGHT (1PCS)</p>
 <p>FRONT FRAME (2PCS)</p>	 <p>BACK FRAME (1PC)</p>	 <p>FRONT FRAME (1PC)</p>
 <p>DOOR (1PC)</p>	 <p>SLATS (8PCS)</p>	 <p>SUPPORT FRAME (2PCS)</p>

# ASSEMBLY INSTRUCTION

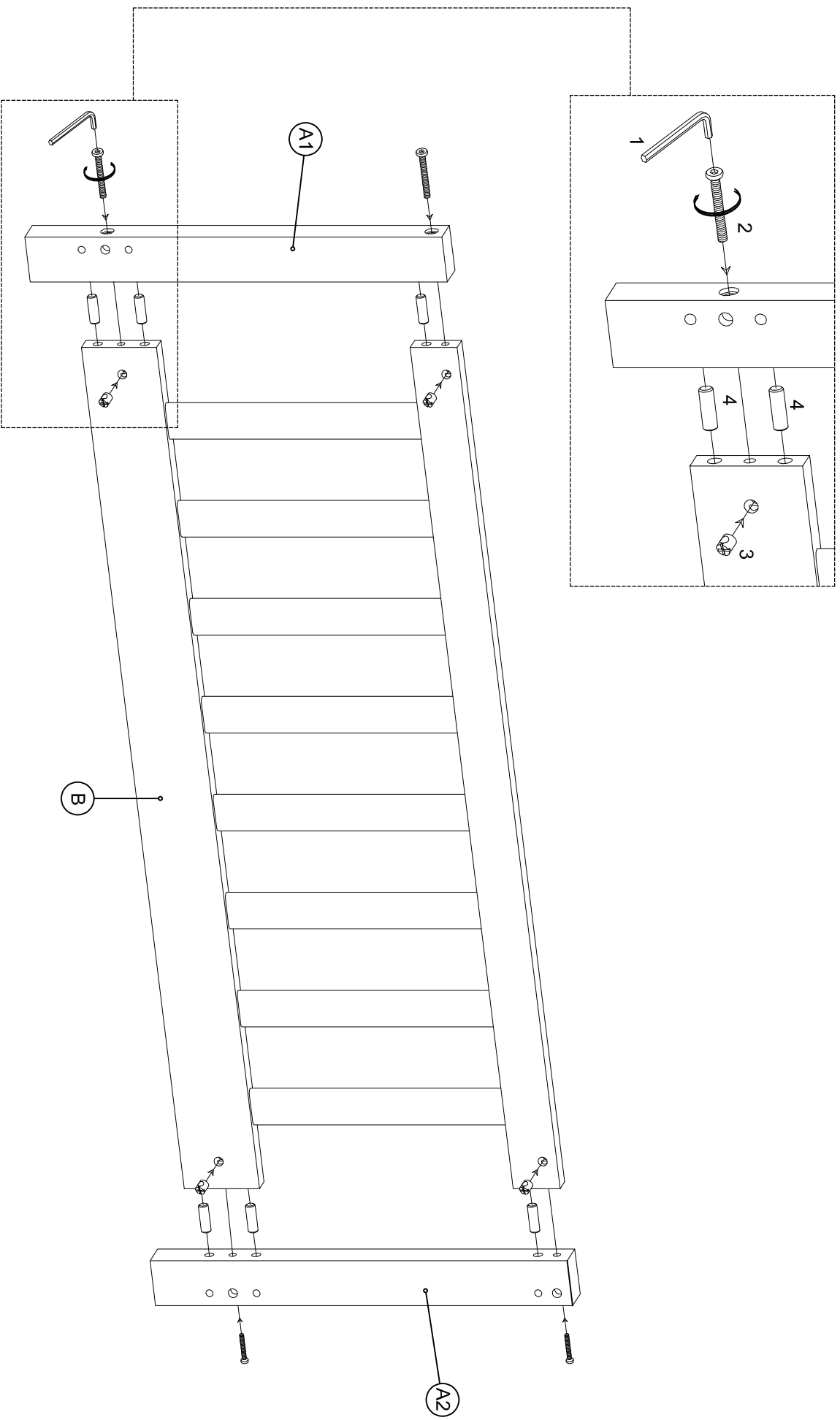
## HARDWARE LIST BW00011

<p>1</p>  <p>ALLEN KEY (1PC) K4 x 60 mm</p>	<p>2</p>  <p>HEX HEAD BLOT (8PCS) 1/4 x 90 mm</p>	<p>3</p>  <p>BARREL NUT (19PCS) 1/4 x Ø10 x 13 mm</p>
<p>4</p>  <p>WOOD DOWEL (19PCS) Ø10 x 30 mm</p>	<p>5</p>  <p>HEX HEAD BLOT (11PCS) 1/4 x 70 mm</p>	<p>6</p>  <p>WOOD SCREW (20PCS) Ø4 x 25 mm</p>
<p>7</p>  <p>WOOD SCREW (6PCS) Ø3.5 x 12 mm</p>	<p>8</p>  <p>WOOD SCREW (4PCS) Ø3.5 x 15 mm</p>	<p>9</p>  <p>LATCH (1PC) 20 x 38 x 38 mm</p>



# ASSEMBLY INSTRUCTION

STEP 1

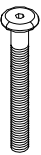


1



ALLEN KEY (1PC)  
K4 x 60 mm

2



HEX HEAD BOLT (4PCS)  
1/4 x 90 mm

3



BARREL NUT (4PCS)  
1/4 x Ø10 x 13 mm

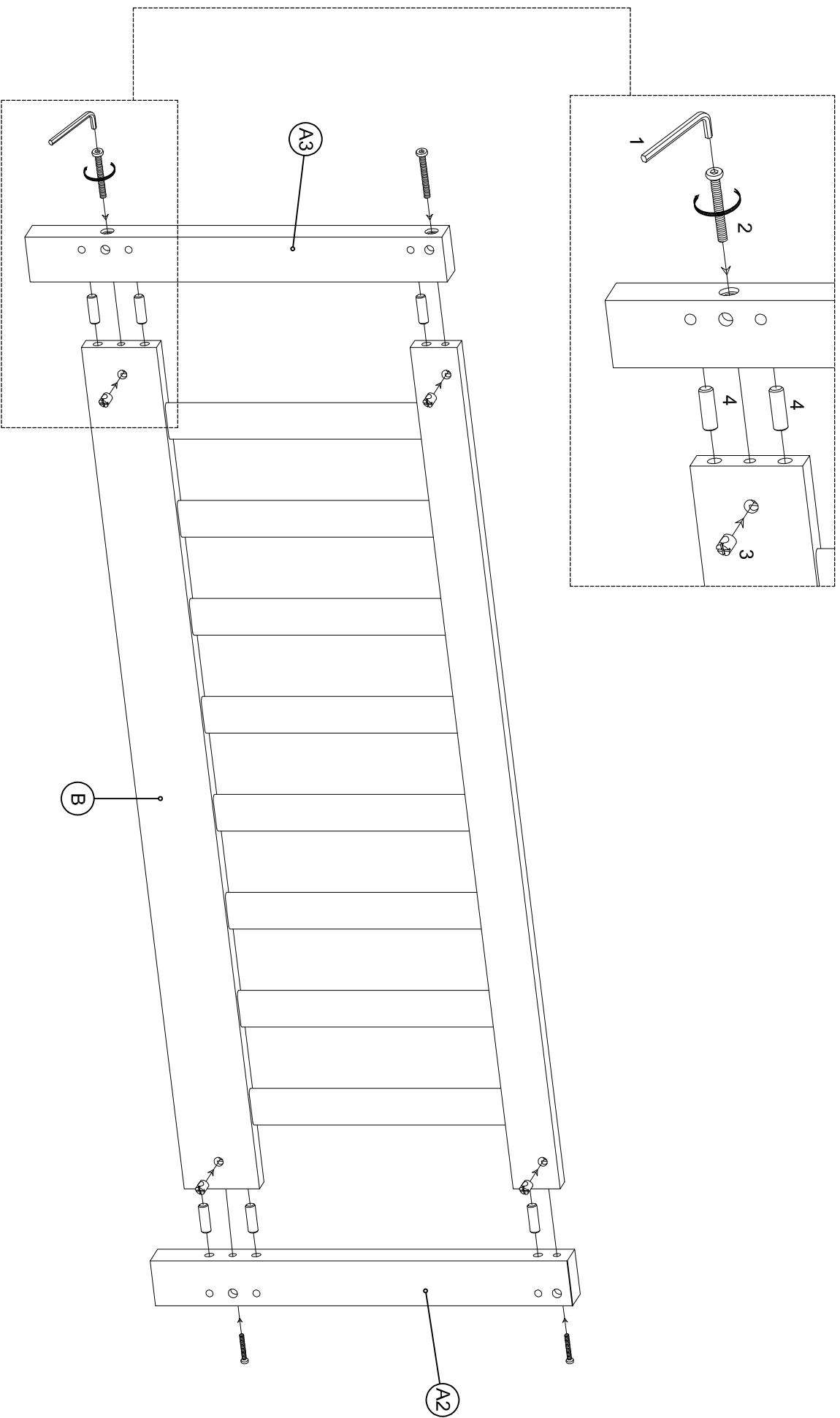
4



WOOD DOWEL (6PCS)  
Ø10 x 30 mm

# ASSEMBLY INSTRUCTION

STEP 2

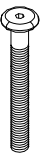


1



ALLEN KEY (1PC)  
K4 x 60 mm

2



HEX HEAD BOLT (4PCS)  
1/4 x 90 mm

3

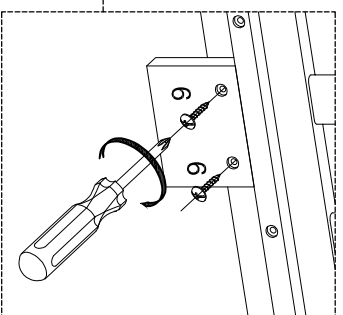
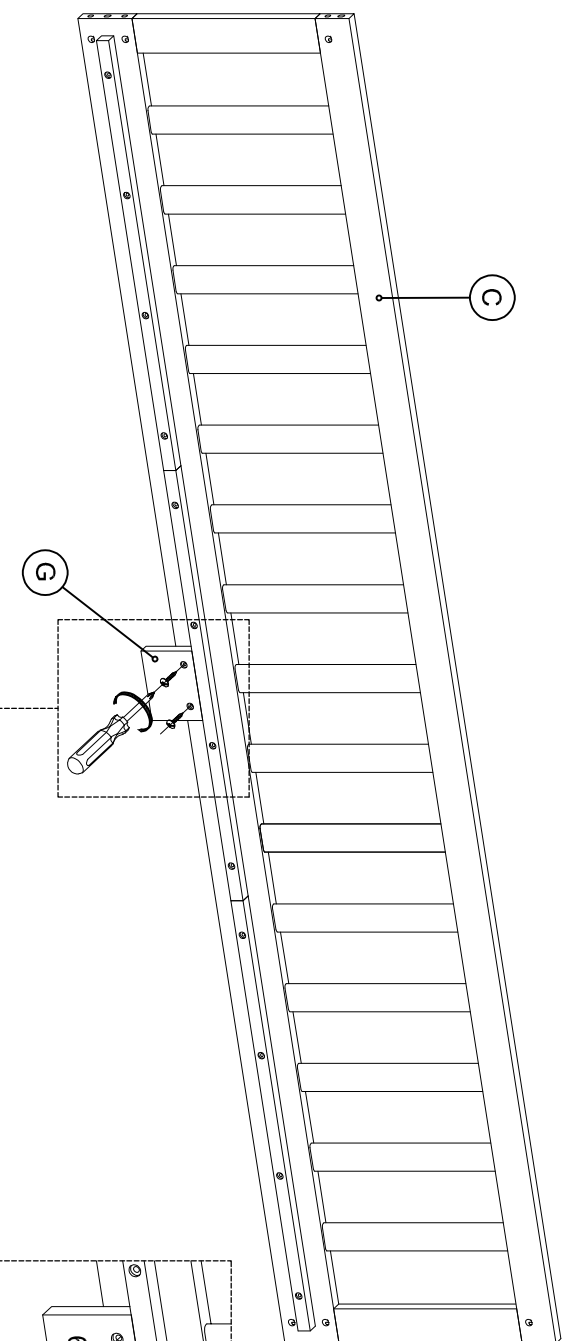
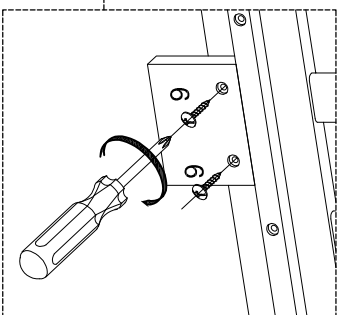
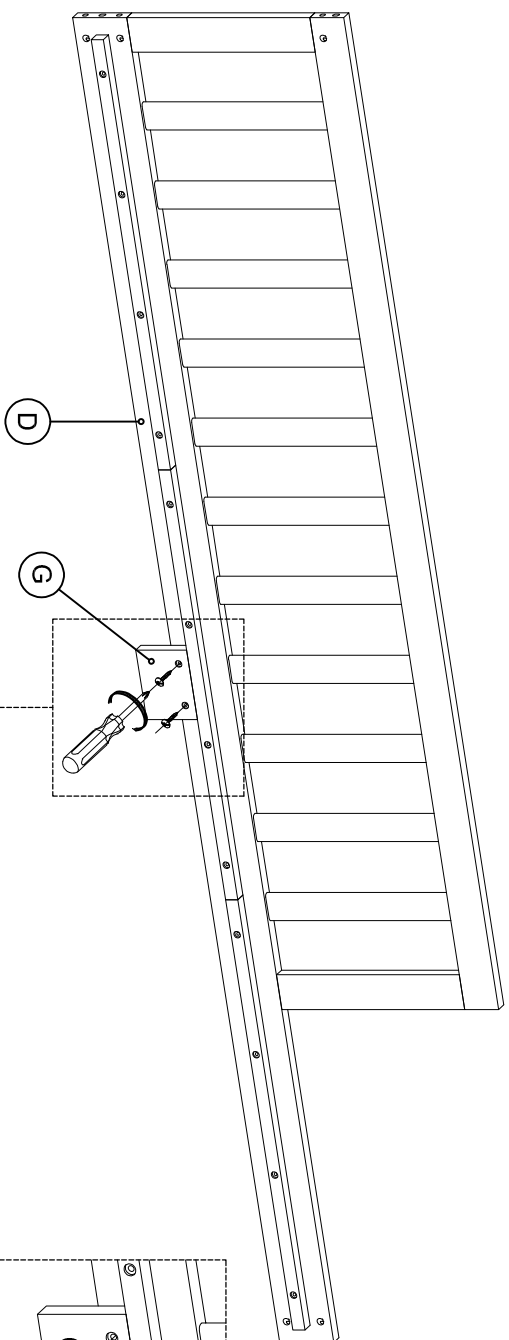


BARREL NUT (4PCS)  
1/4 x Ø10 x 13 mm

4

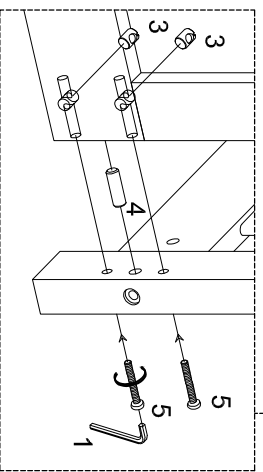
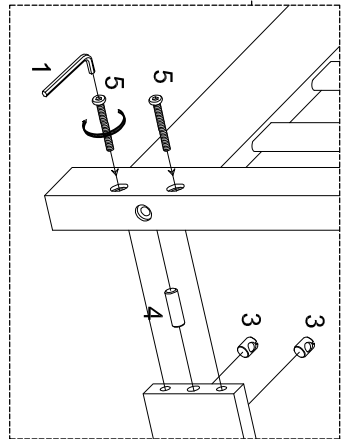
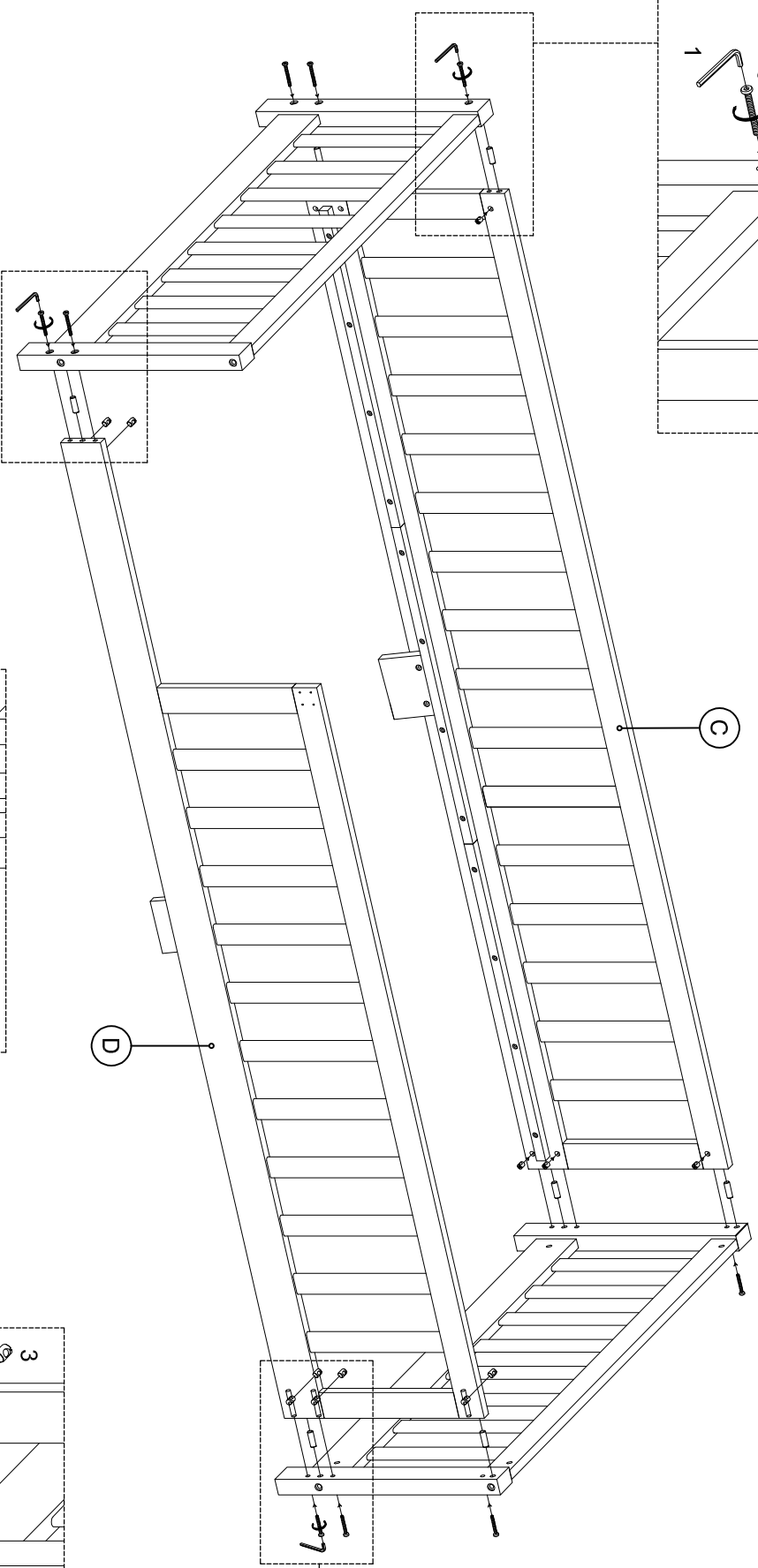
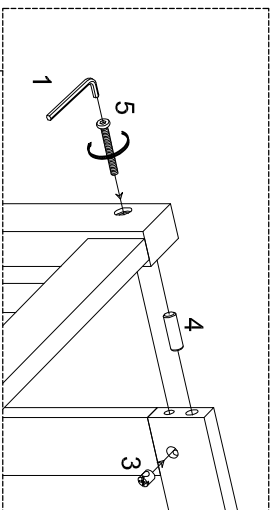


WOOD DOWEL (6PCS)  
Ø10 x 30 mm



# ASSEMBLY INSTRUCTION

STEP 4



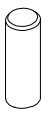
- 1
- 3
- 4
- 5



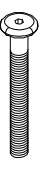
ALLEN KEY (1PC)  
K4 x 60 mm



BARREL NUT (11PCS)  
1/4 x Ø10 x 13 mm

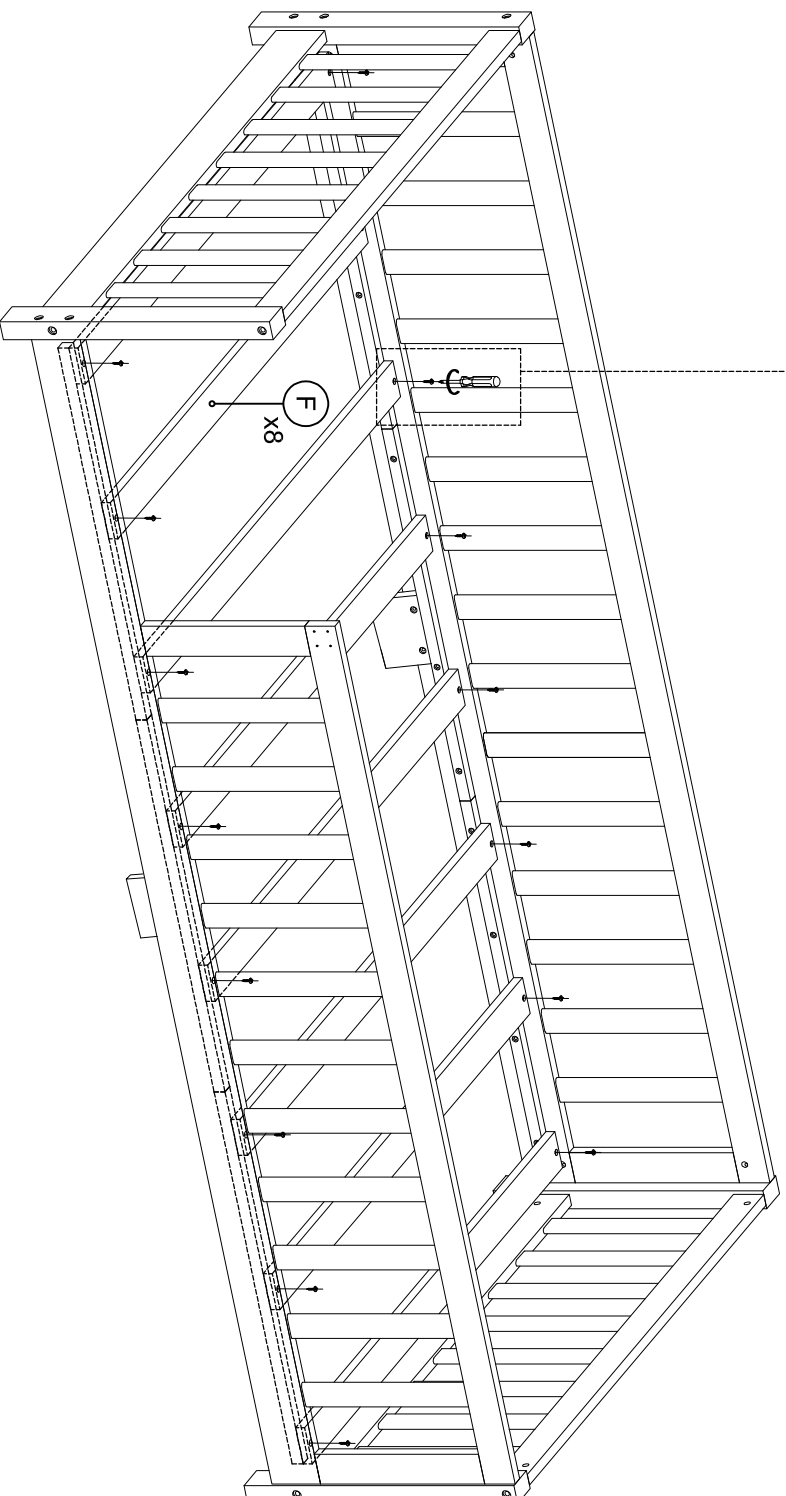
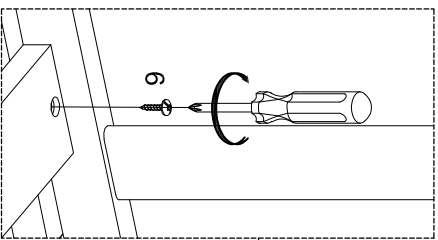


WOOD DOWEL (6PCS)  
Ø10 x 30 mm

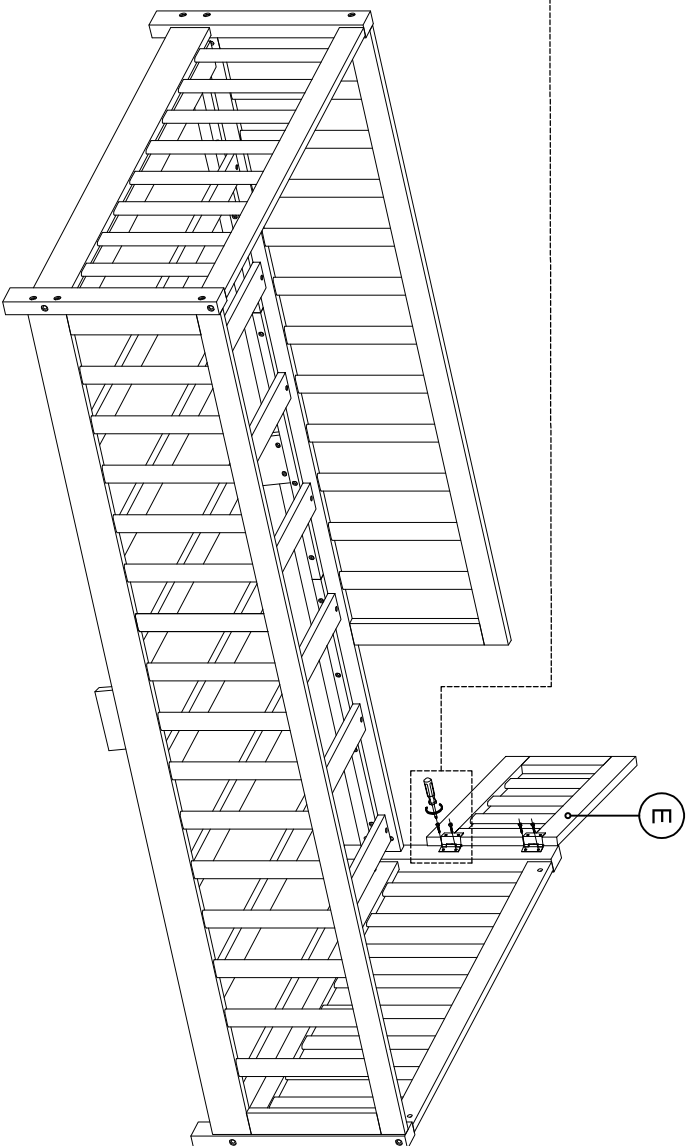
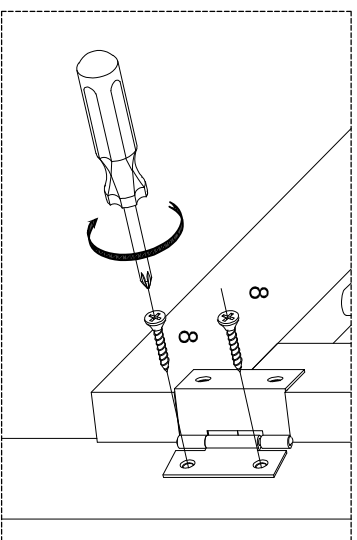


HEX HEAD BOLT (11PCS)  
1/4 x 70 mm





## STEP 6

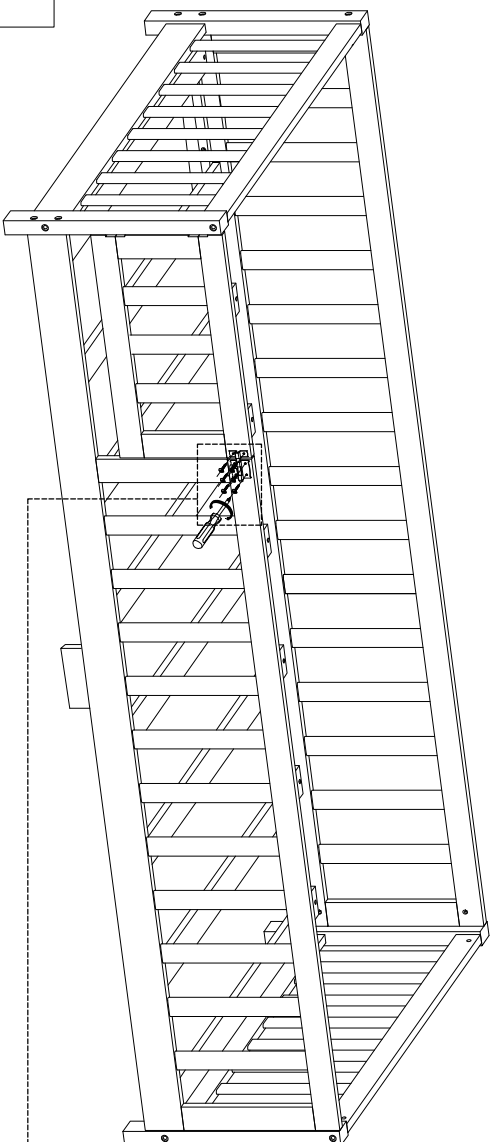


8



WOOD SCREW (4PCS)  
Ø3,5 x 15 mm

## STEP 7

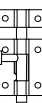


7



WOOD SCREW (8PCS)  
Ø3,5 x 12 mm

9



LATCH (1PC)  
20 x 38 x 38 mm

