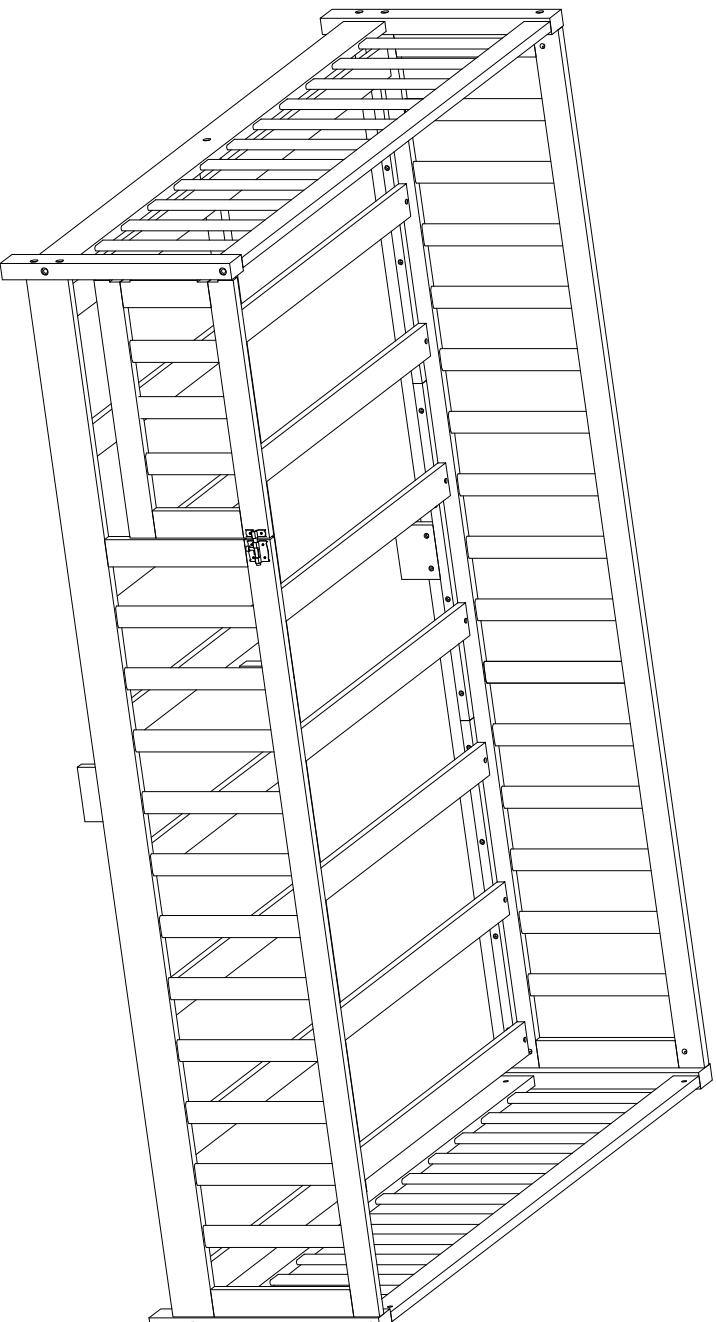


# ASSEMBLY INSTRUCTION

FLOOR BED FULL - BW00012

PAGE: 1 OF 11

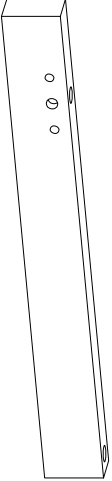
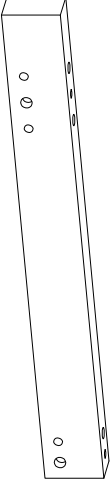
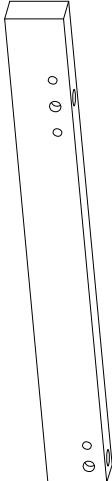
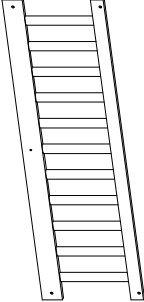
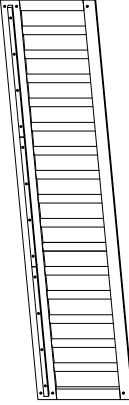
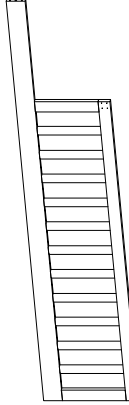
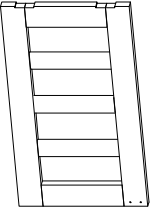



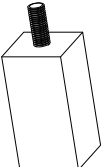
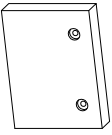


## IMPORTANT NOTE

1. PLACE ALL PARTS ON A CLEAN AND SMOOTH SURFACE SUCH AS A RUG OR CARPET TO AVOID THE PARTS FROM BEING SCRATCHED
2. BEFORE YOU BEGIN, KINDLY FOLLOW THE ASSEMBLY INSTRUCTIONS STEP BY STEP
3. DO NOT TIGHTEN ALL SCREWS AND BOLTS UNTIL THE BED IS FULLY SET-UP

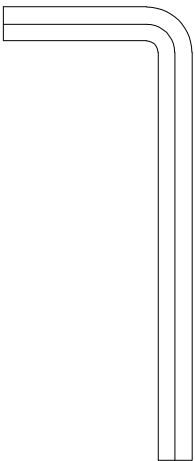
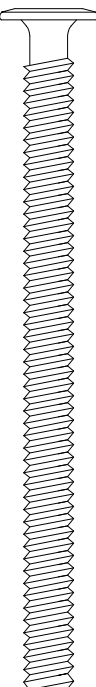
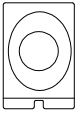

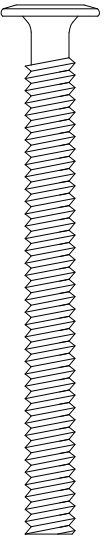
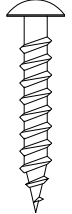

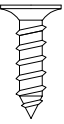
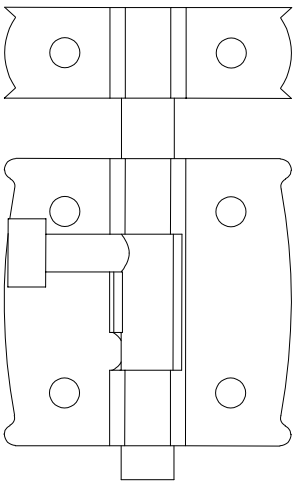
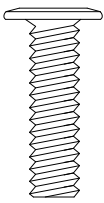
# ASSEMBLY INSTRUCTION

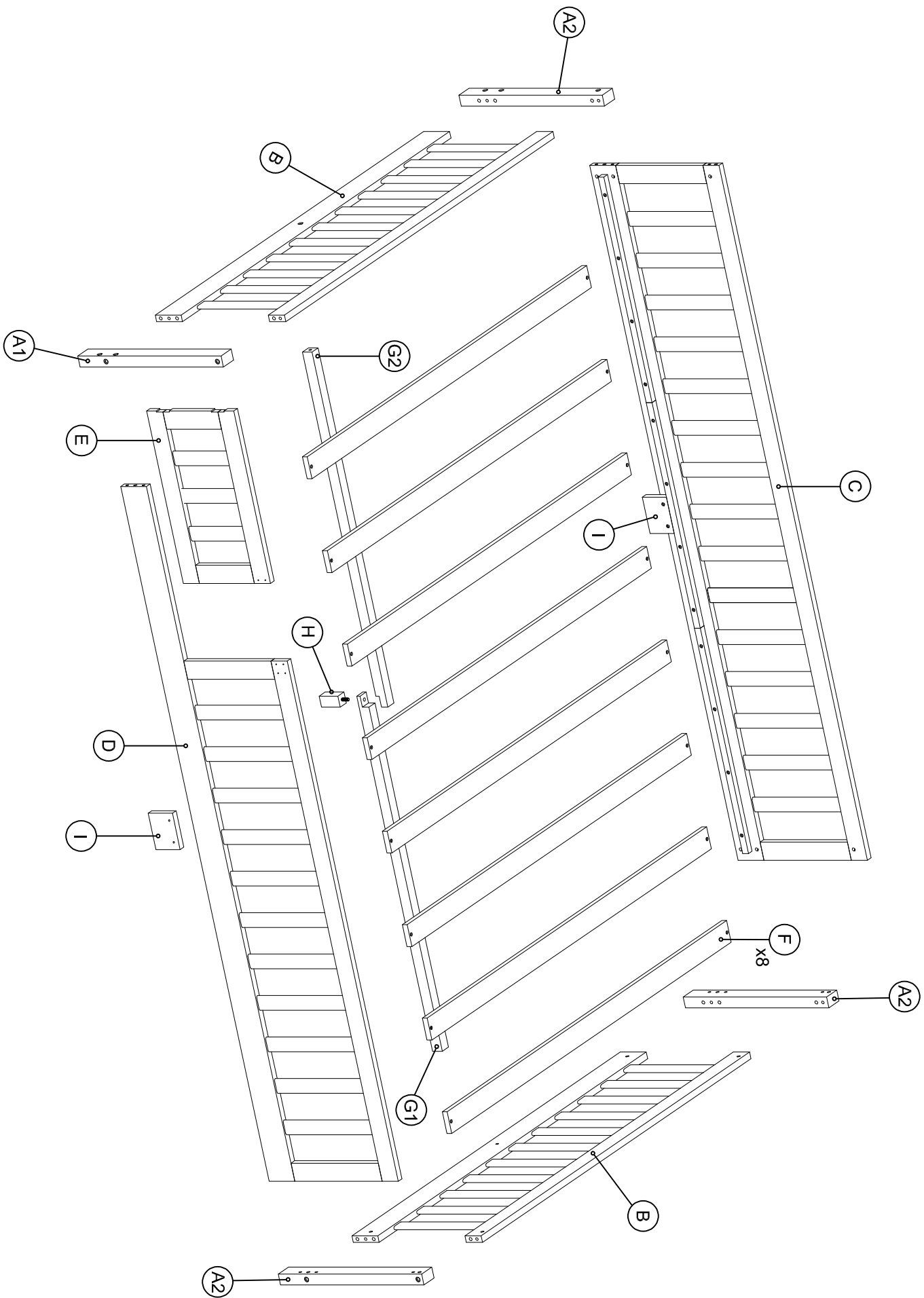
## PART LIST BW00012

A1	A2	A3
 <p>FRONT LEG LEFT (1PC)</p>	 <p>BACK LEG (2PCS)</p>	 <p>BACK LEG RIGHT (1PCS)</p>
 <p>FOOT FRAME (2PCS)</p>	 <p>BACK FRAME (1PC)</p>	 <p>FRONT FRAME (1PC)</p>
 <p>DOOR (1PC)</p>	 <p>SLATS (8PCS)</p>	 <p>SUPPORT SLATS (1PC)</p>
 <p>SUPPORT SLATS (1PC)</p>	 <p>SUPPORT LEG (1PC)</p>	 <p>SUPPORT FRAME (2PCS)</p>

# ASSEMBLY INSTRUCTION

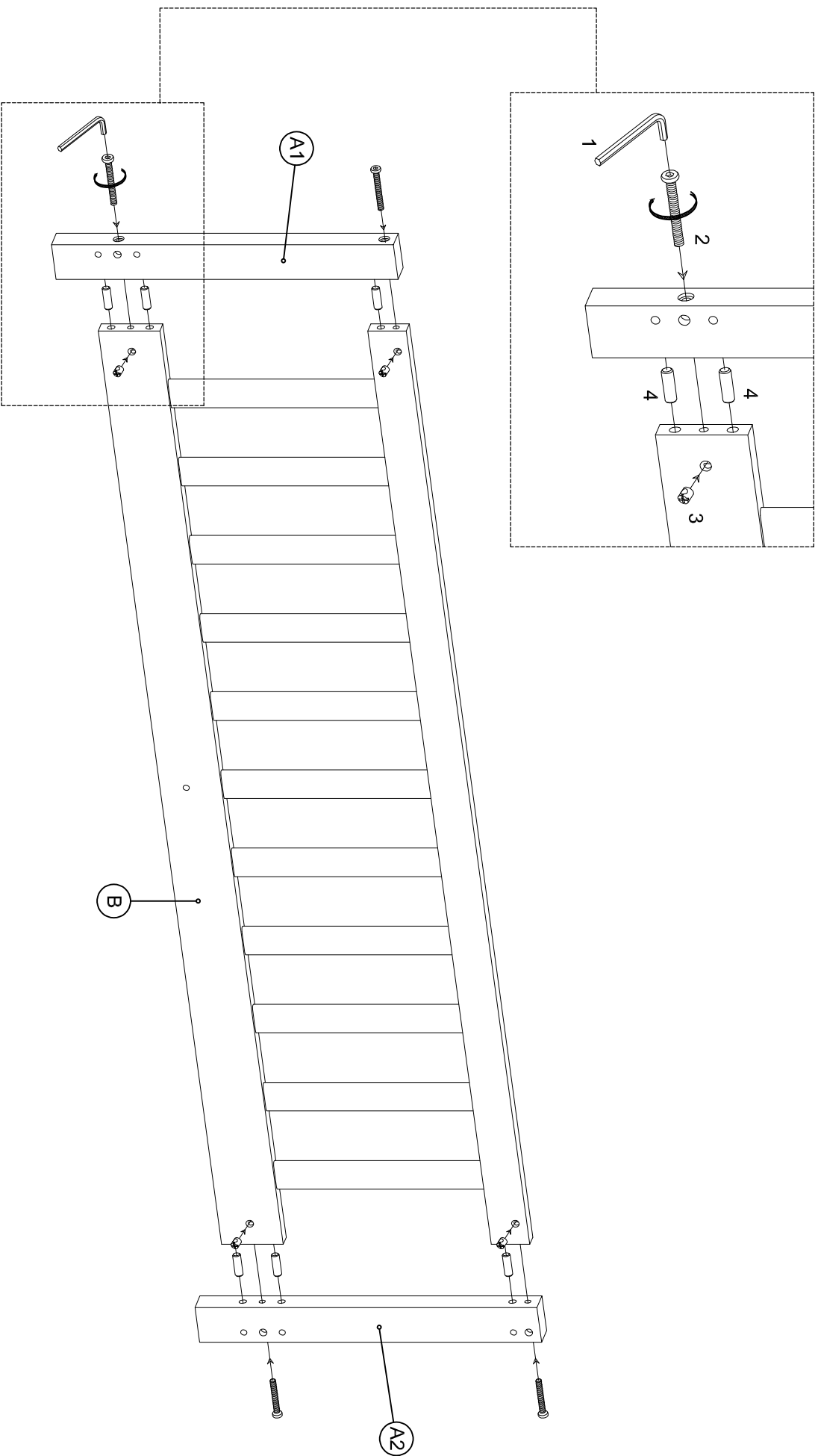
## HARDWARE LIST BW00012

<p>1</p>  <p>ALLEN KEY (1PC) K4 x 60 mm</p>	<p>2</p>  <p>HEX HEAD BLOT (8PCS) 1/4 x 90 mm</p>	<p>3</p>  <p>BARREL NUT (19PCS) 1/4 x Ø10 x 13 mm</p>
<p>4</p>  <p>WOOD DOWEL (19PCS) Ø10 x 30 mm</p>	<p>5</p>  <p>HEX HEAD BLOT (11PCS) 1/4 x 70 mm</p>	<p>6</p>  <p>WOOD SCREW (20PCS) Ø4 x 25 mm</p>
<p>7</p>  <p>WOOD SCREW (6PCS) Ø3.5 x 12 mm</p>	<p>8</p>  <p>WOOD SCREW (4PCS) Ø3.5 x 15 mm</p>	<p>9</p>  <p>LATCH (1PC) 20 x 38 x 38 mm</p>
<p>10</p>  <p>HEX HEAD BLOT (2PCS) 1/4 x 25 mm</p>		



# ASSEMBLY INSTRUCTION

STEP 1

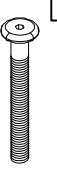


1



ALLEN KEY (1PC)  
K4 x 60 mm

2



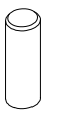
HEX HEAD BOLT (4PCS)  
1/4 x 90 mm

3

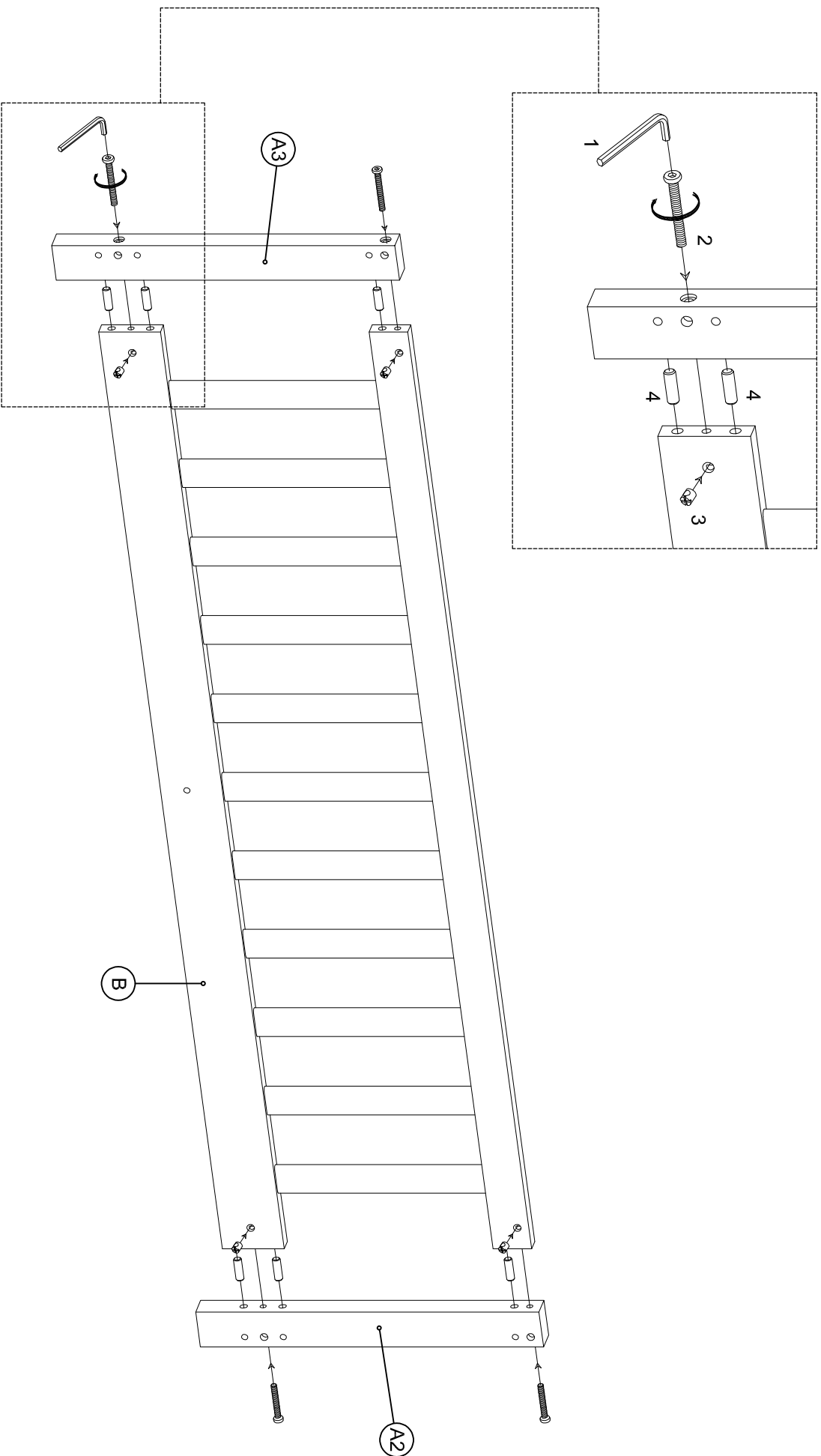


BARREL NUT (4PCS)  
1/4 x Ø10 x 13 mm

4



WOOD DOWEL (6PCS)  
Ø10 x 30 mm

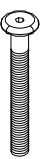


1



ALLEN KEY (1PC)  
K4 x 60 mm

2



HEX HEAD BOLT (4PCS)  
1/4 x 90 mm

3

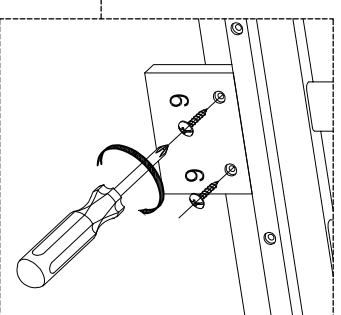
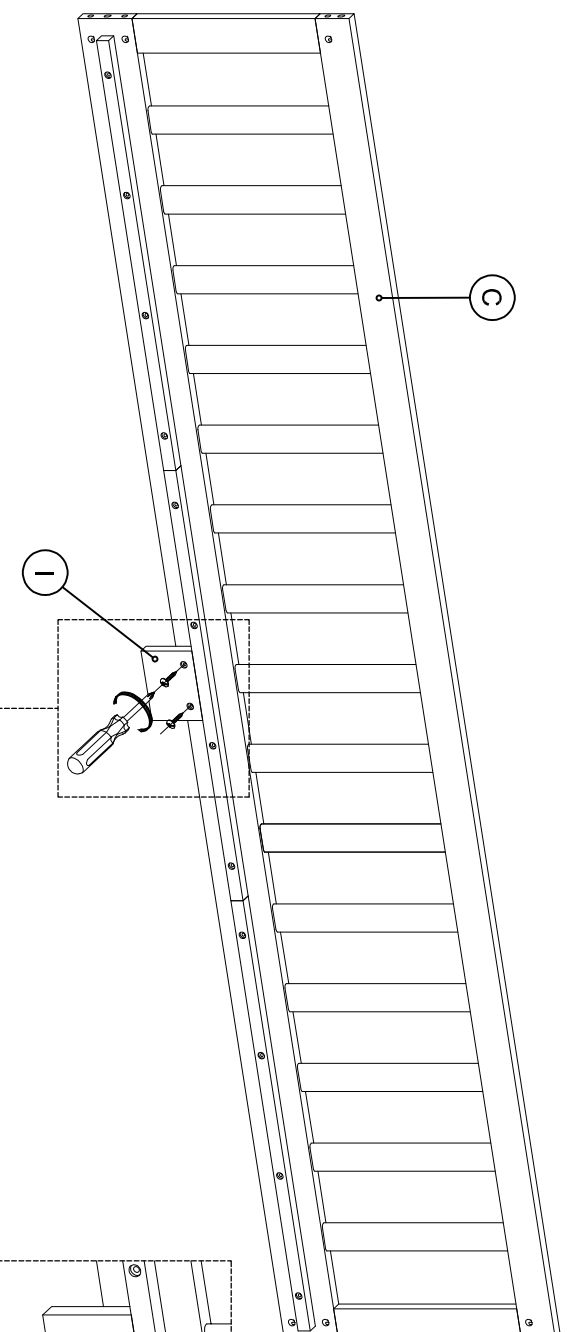
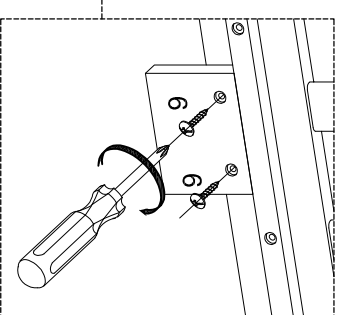
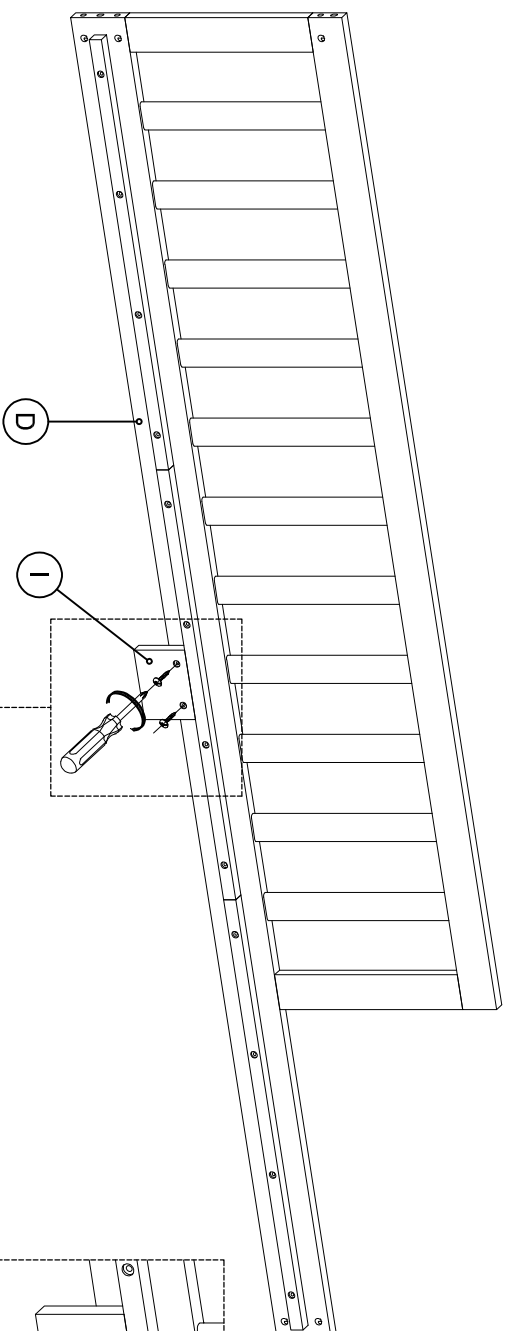


BARREL NUT (4PCS)  
1/4 x Ø10 x 13 mm

4

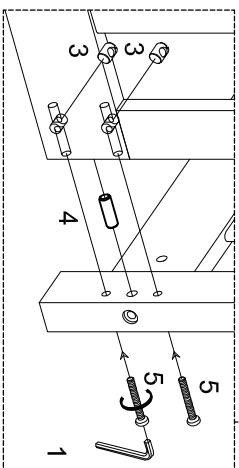
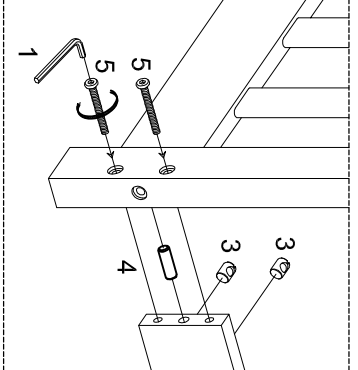
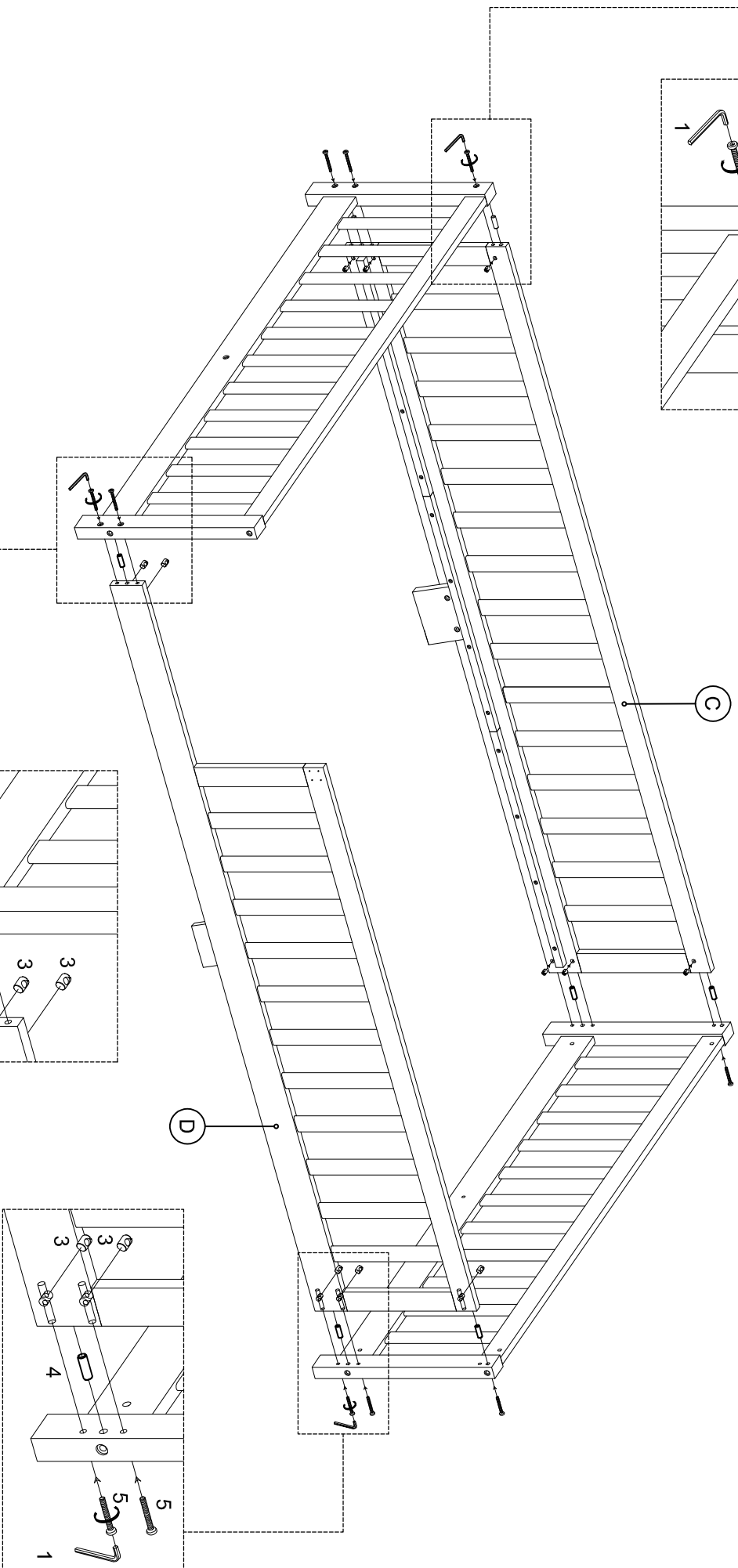
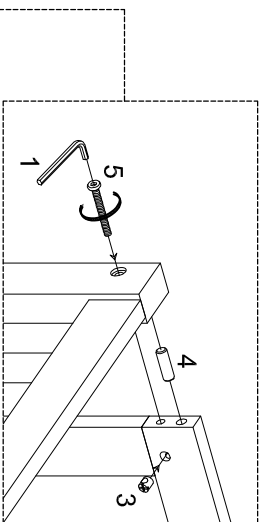


WOOD DOWEL (6PCS)  
Ø10 x 30 mm



# ASSEMBLY INSTRUCTION

STEP 4

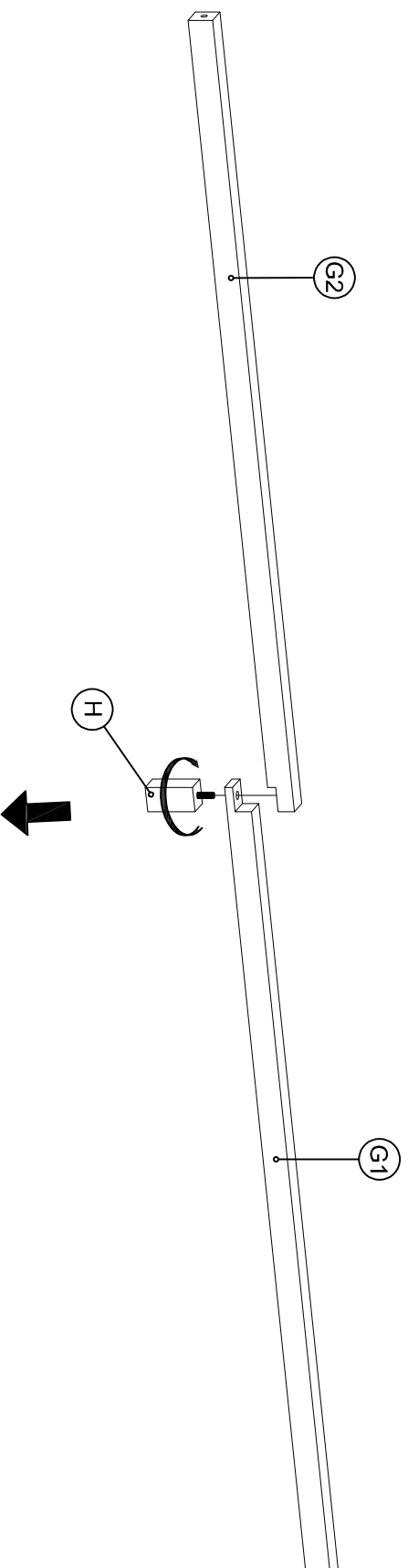


- 1 ALLEN KEY (1PC)  
K4 x 60 mm
- 3 BARREL NUT (1-1PCS)  
1/4 x Ø10 x 13 mm
- 4 WOOD DOWEL (6PCS)  
Ø10 x 30 mm
- 5 HEX HEAD BOLT (1-1PCS)  
1/4 x 70 mm

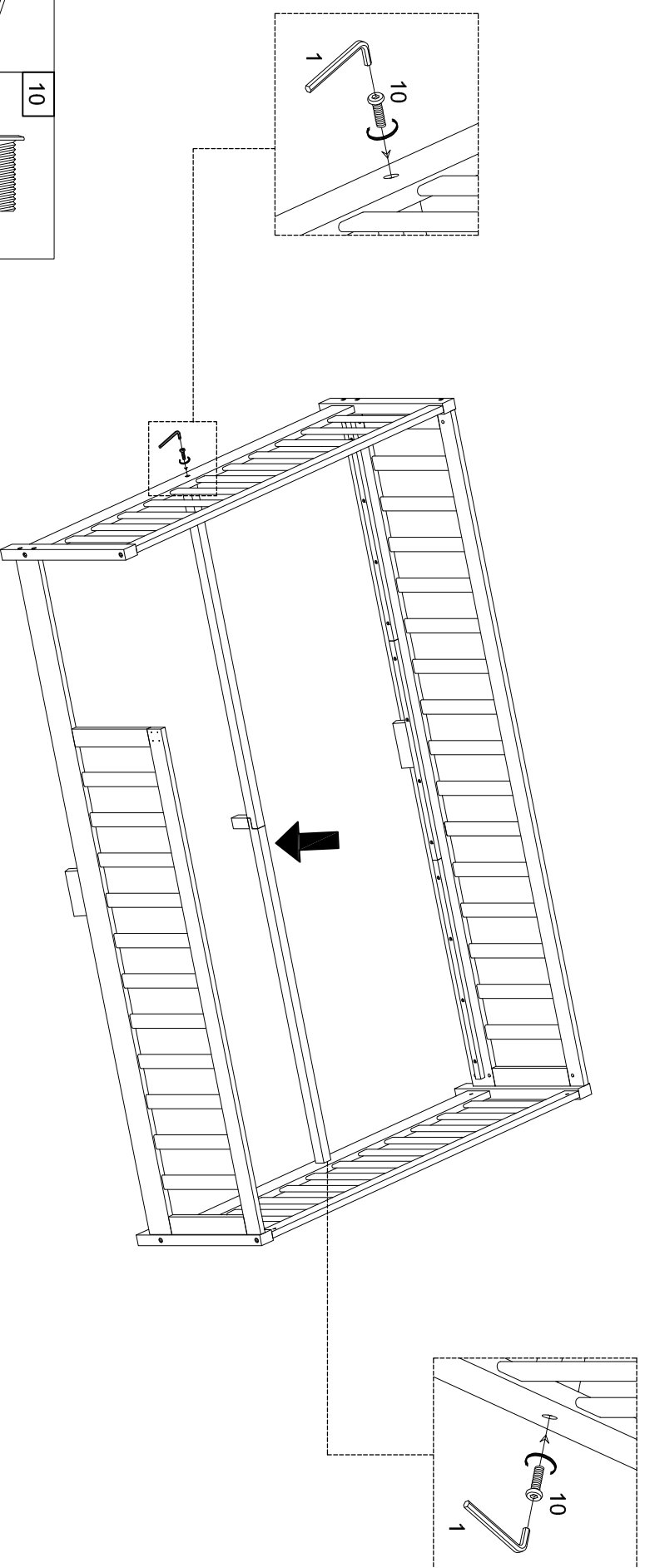


# ASSEMBLY INSTRUCTION

STEP 5



STEP 6

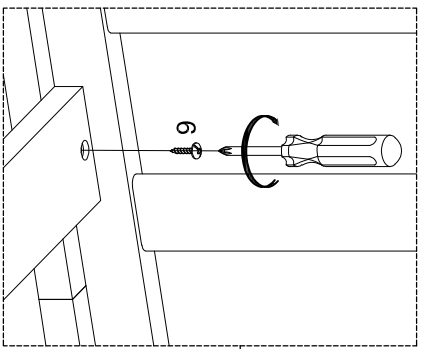
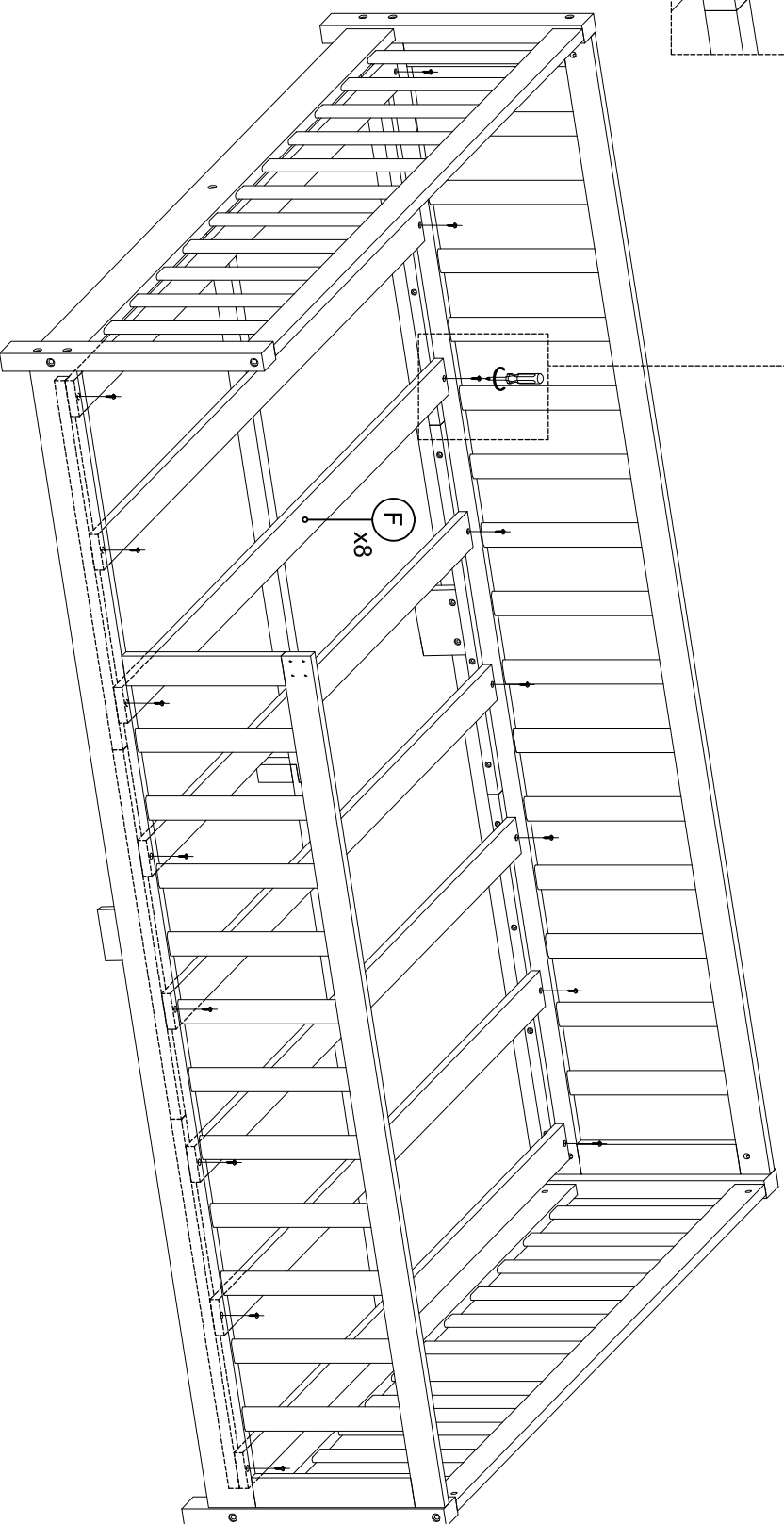


1



10



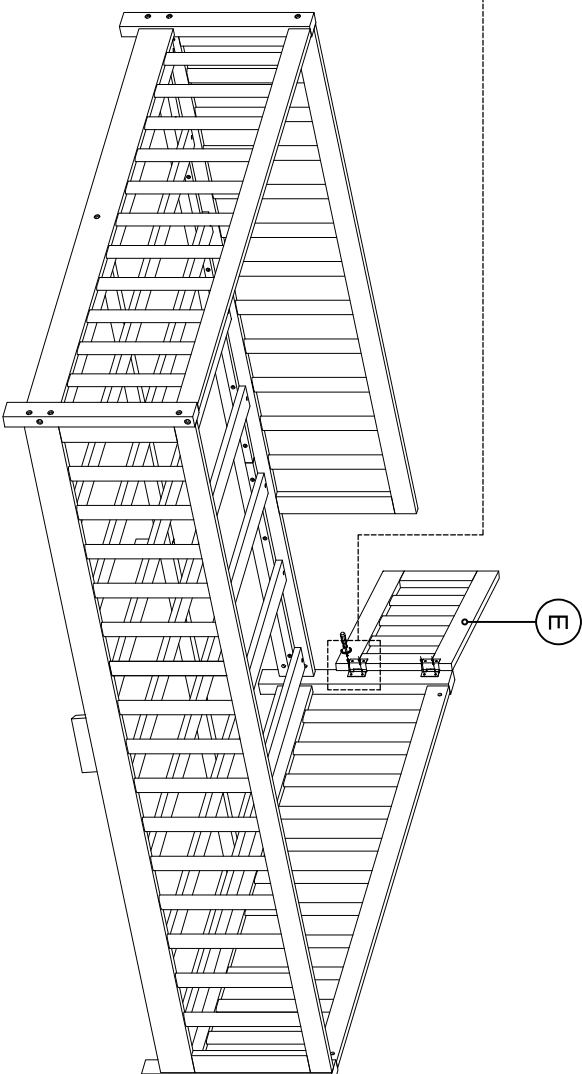
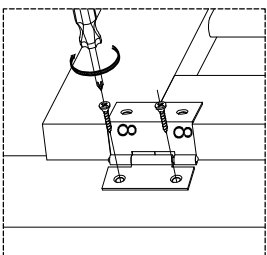


6



WOOD SCREW (16PCS)  
Ø4 x 25 mm

## STEP 8

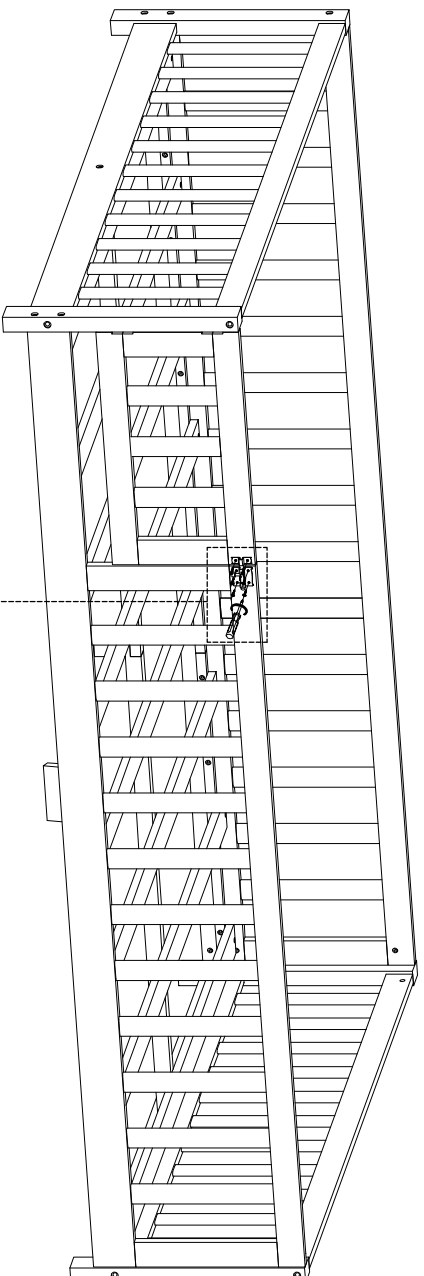


8



WOOD SCREW (4PCS)  
Ø3,5 x 15 mm

## STEP 9

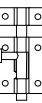


7



WOOD SCREW (6PCS)  
Ø3,5 x 12 mm

9



LATCH (1PC)  
20 x 38 x 38 mm

