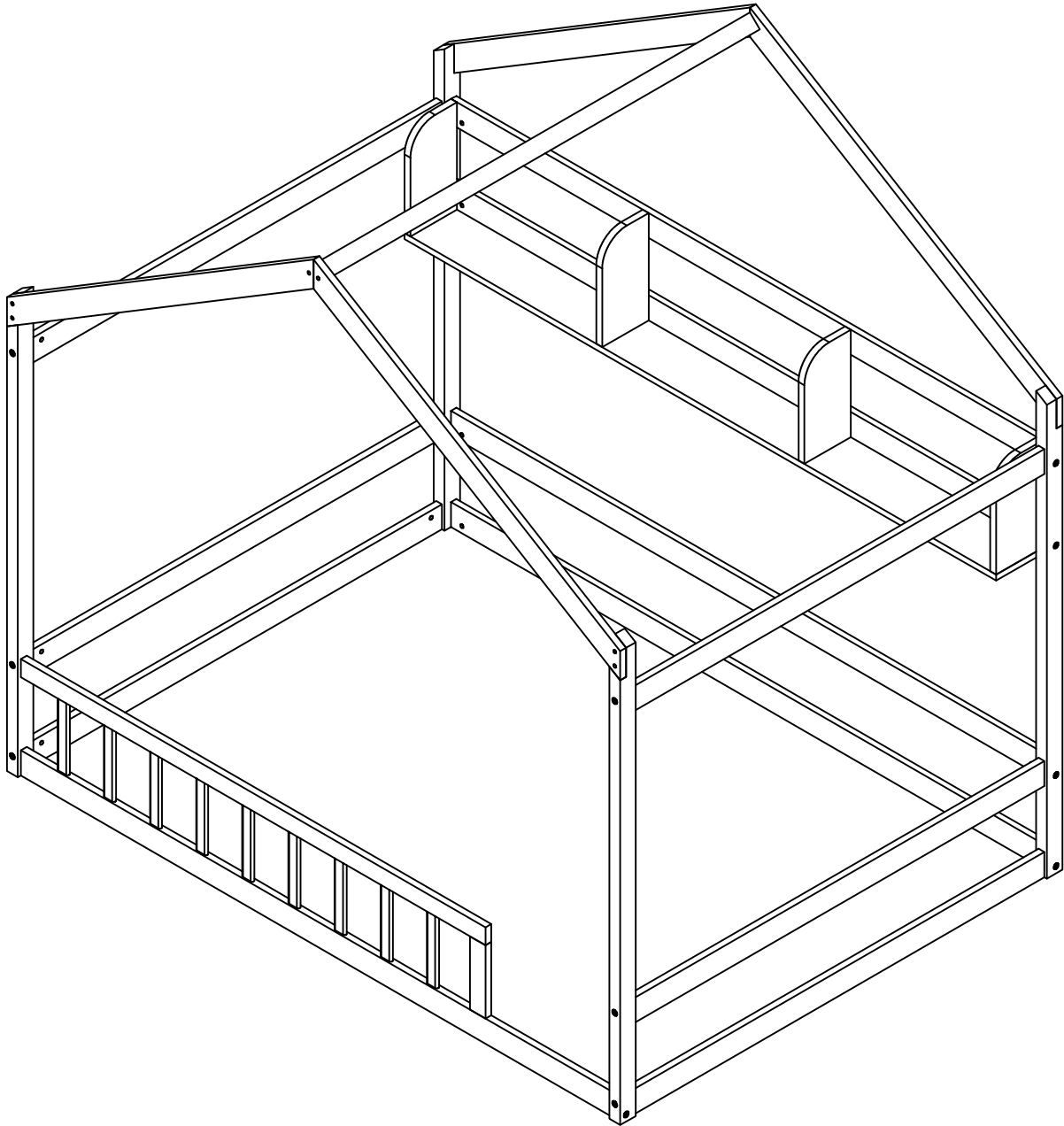
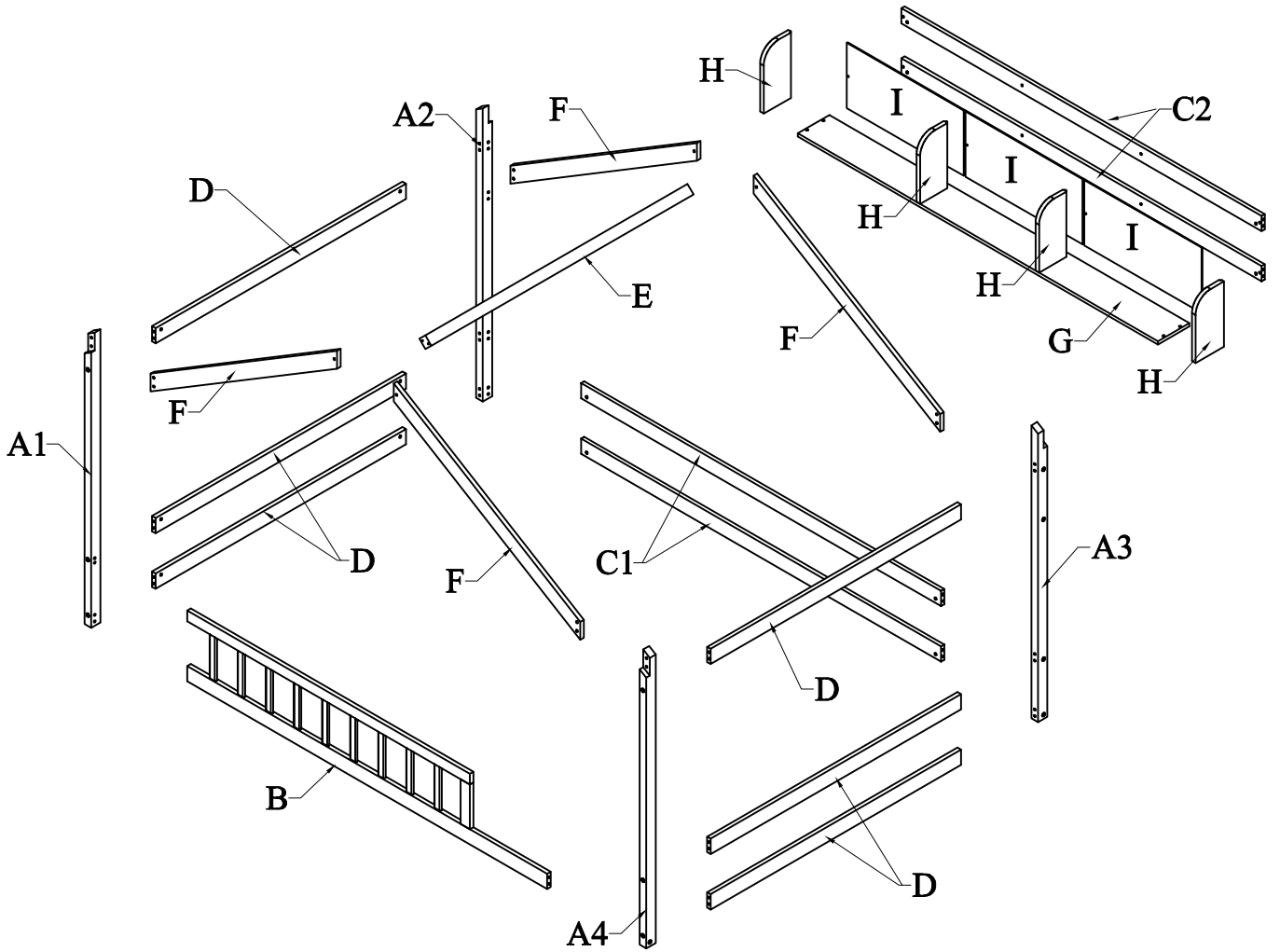


# ASSEMBLY INSTRUCTIONS





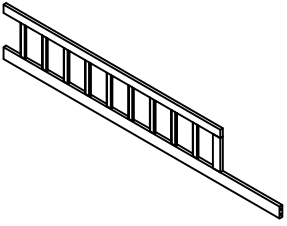
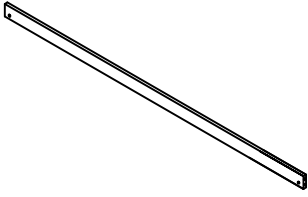
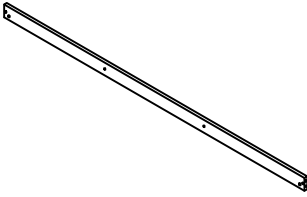
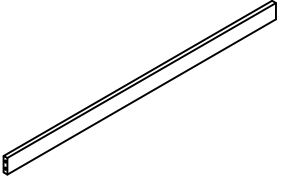
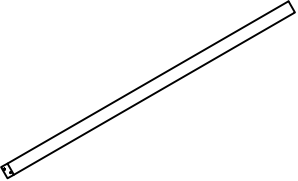
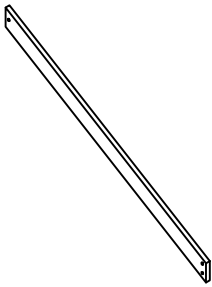
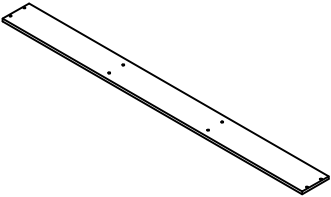
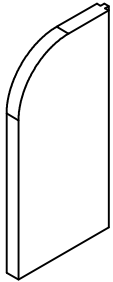
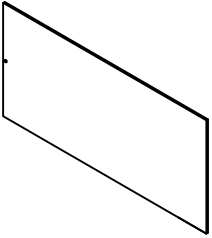
ITEM CODE: WF310141



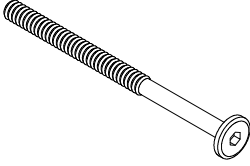
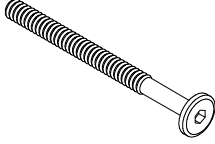
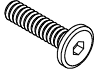
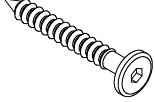
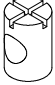
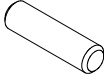
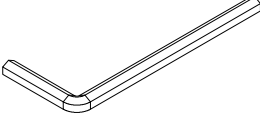
# DETAIL VIEW



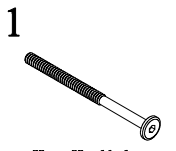
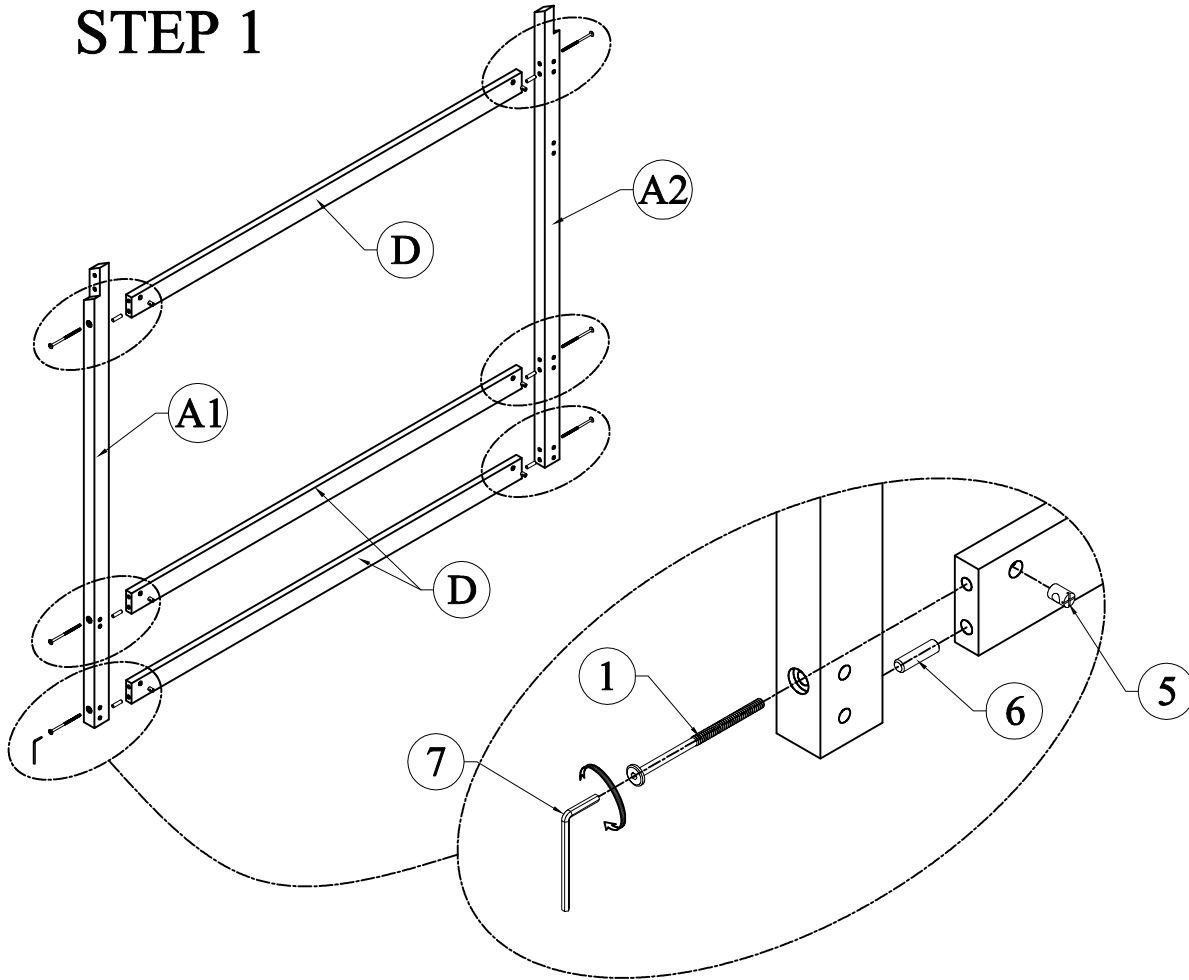
# BOX 1: WF310141

<p><b>A1</b></p>  <p>Front leg - left (1pc)</p>	<p><b>A2</b></p>  <p>Back leg - left (1pc)</p>	<p><b>A3</b></p>  <p>Back leg - right (1pc)</p>	<p><b>A4</b></p>  <p>Front leg - right (1pc)</p>
<p><b>B</b></p>  <p>Frame rail - front (1pc)</p>	<p><b>C1</b></p>  <p>Back rail - bottom (2pcs)</p>	<p><b>C2</b></p>  <p>Back rail - top (2pcs)</p>	<p><b>D</b></p>  <p>Horizontal rail (6pcs)</p>
<p><b>E</b></p>  <p>Top rail (1pc)</p>	<p><b>F</b></p>  <p>Roof slant bar (4pcs)</p>	<p><b>G</b></p>  <p>Bottom Panel - shefl (1pc)</p>	<p><b>H1</b></p>  <p>Side panel - shelf (4pcs)</p>
<p><b>I</b></p>  <p>Back panel (3pcs)</p>			

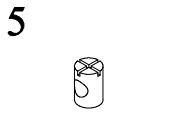
# HARDWARE LIST: WF310141

<p>1</p>  <p>Hex - Head bolts Ø1/4" * 100- 12pcs</p>	<p>2</p>  <p>Hex - Head bolts Ø1/4" * 80- 11pcs</p>	<p>3</p>  <p>Hex - Head bolts Ø1/4" * 35- 8pcs</p>	<p>4</p>  <p>Hexagonal bolts catch wood Ø1/4" * 50 - 20pcs</p>
<p>5</p>  <p>Horizontal - Hold bolts Ø1/4" - 23pcs</p>	<p>6</p>  <p>Wood dowel Ø8 * 30 - 23pcs</p>	<p>7</p>  <p>Allen key K4 - 2pcs</p>	

# STEP 1



Hex - Head bolts  
Ø1/4" \* 100- 6pcs

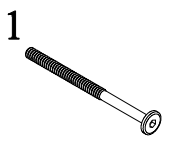
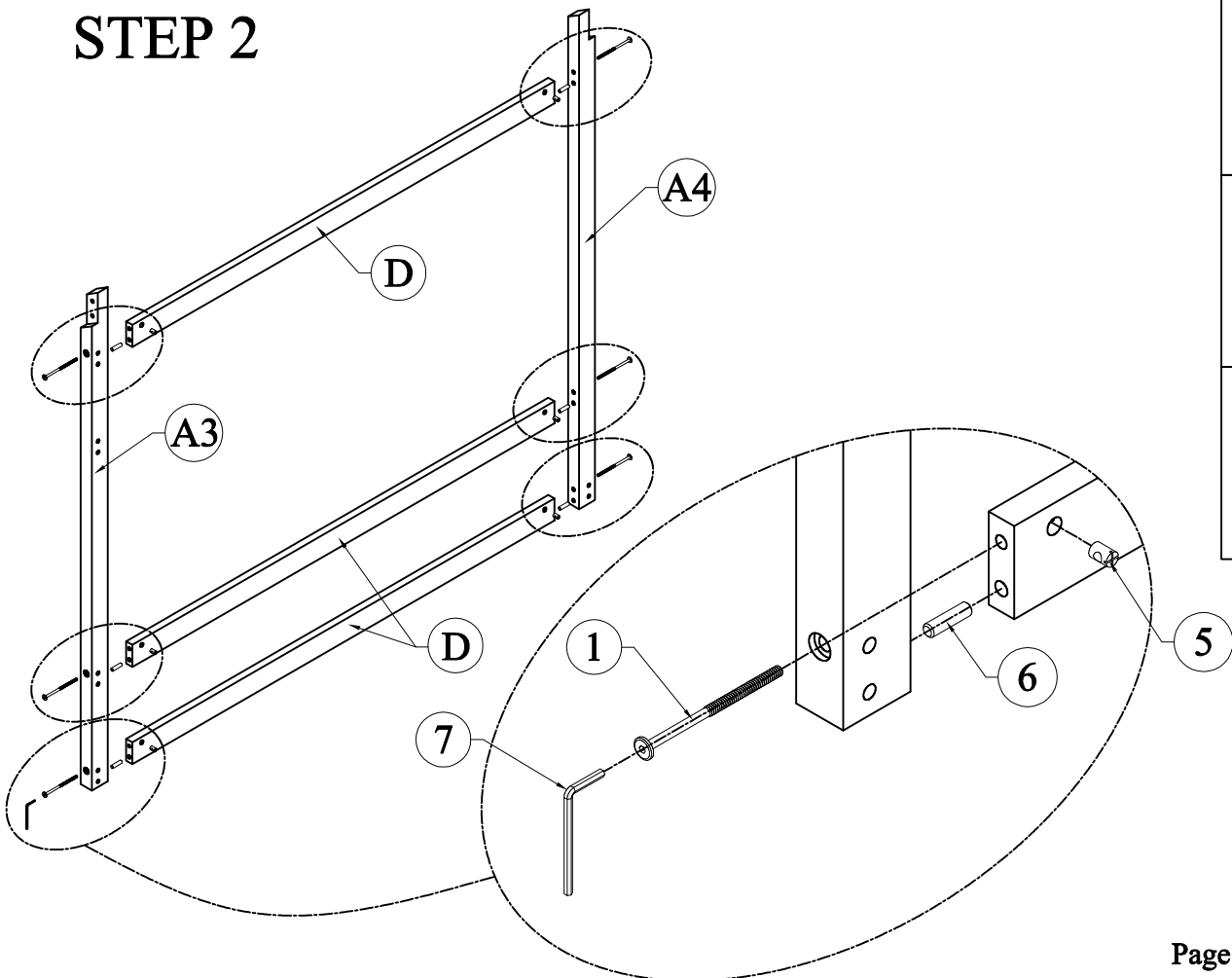


Horizontal - Hold bolts  
Ø1/4" - 6pcs

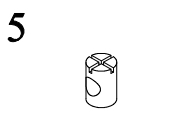


Wood dowel  
Ø8 \* 30 - 6pcs

# STEP 2



Hex - Head bolts  
Ø1/4" \* 100- 6pcs

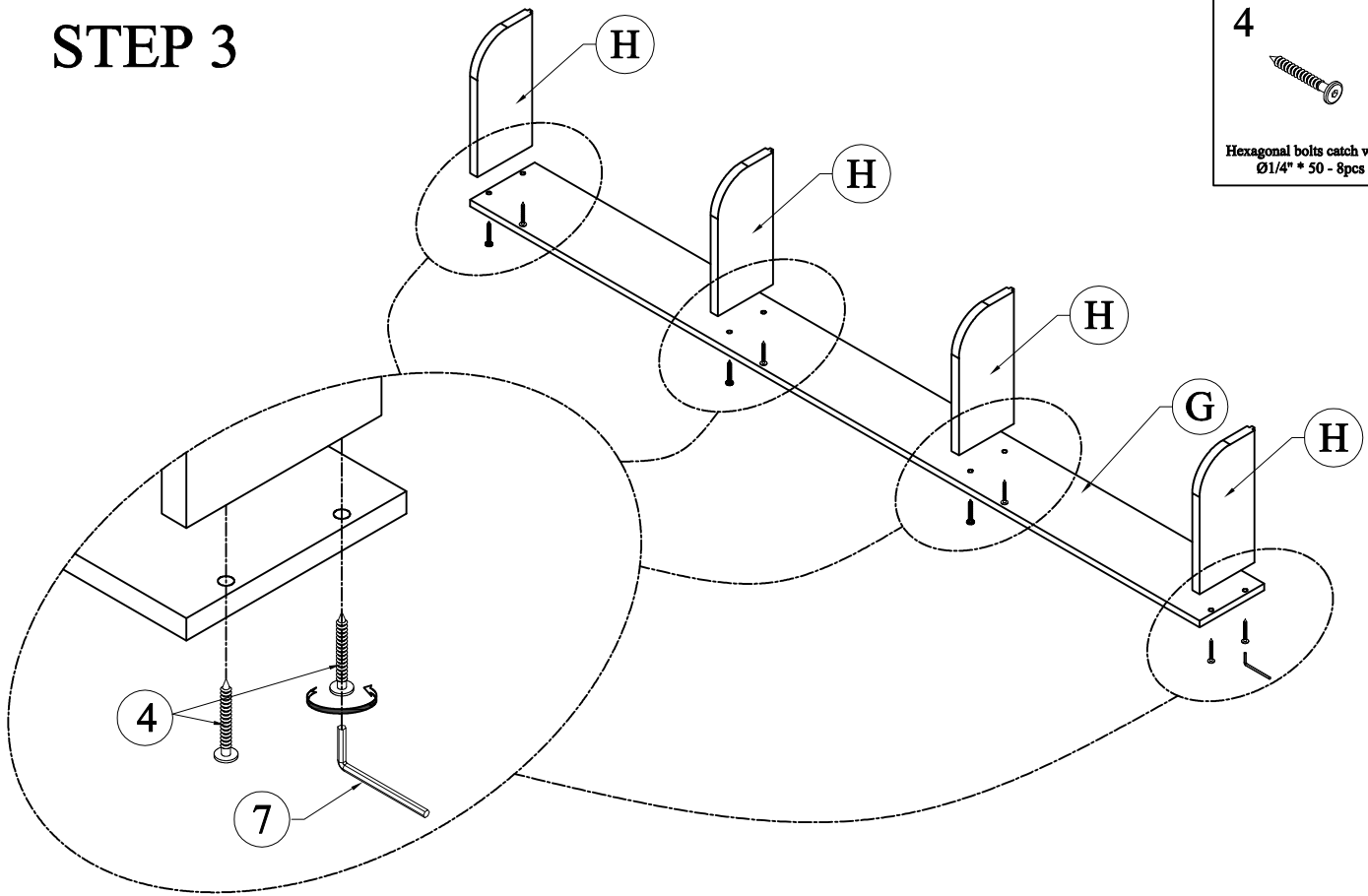


Horizontal - Hold bolts  
Ø1/4" - 6pcs



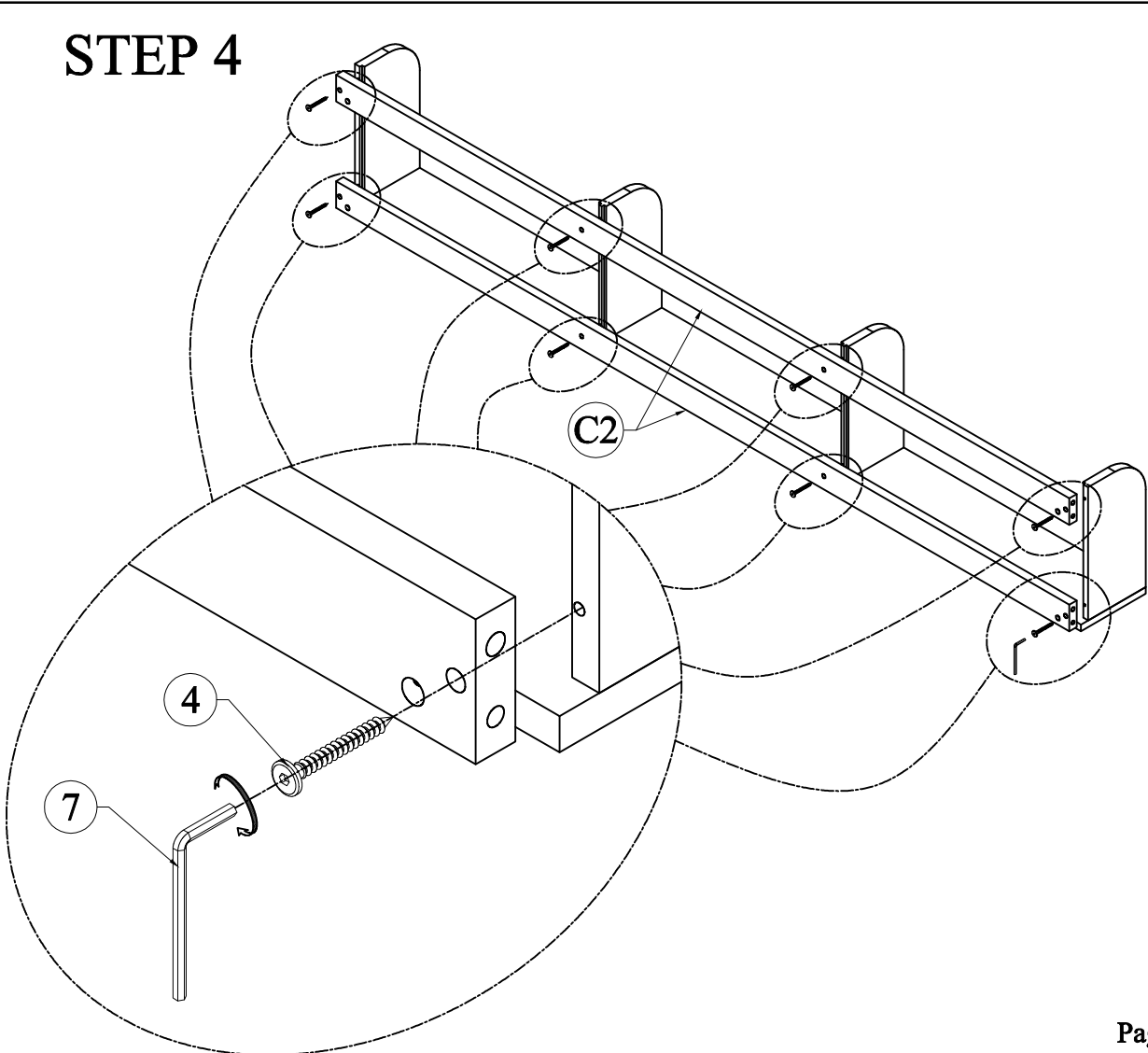
Wood dowel  
Ø8 \* 30 - 6pcs

# STEP 3



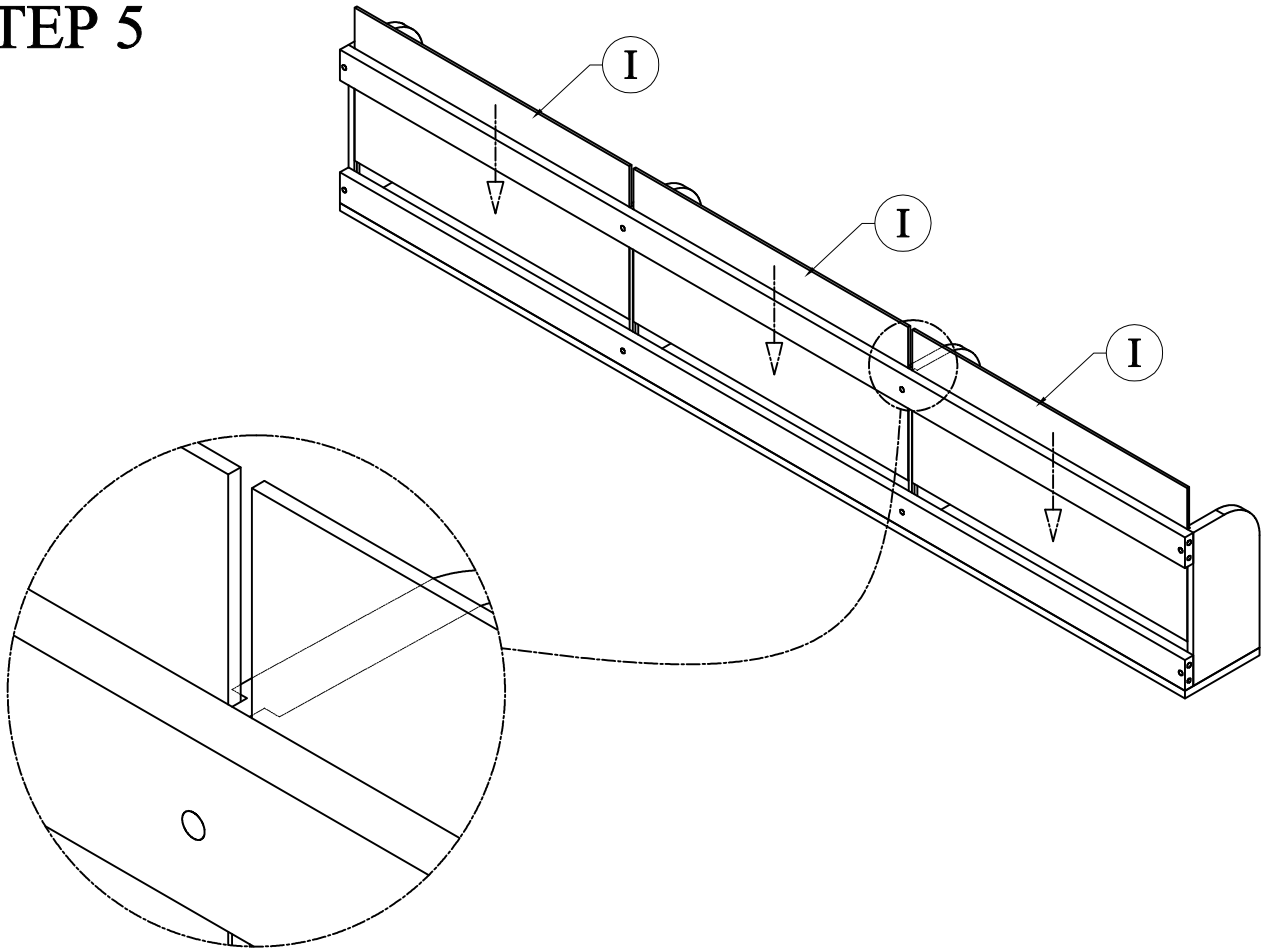
4  
Hexagonal bolts catch wood  
Ø1/4" \* 50 - 8pcs

# STEP 4

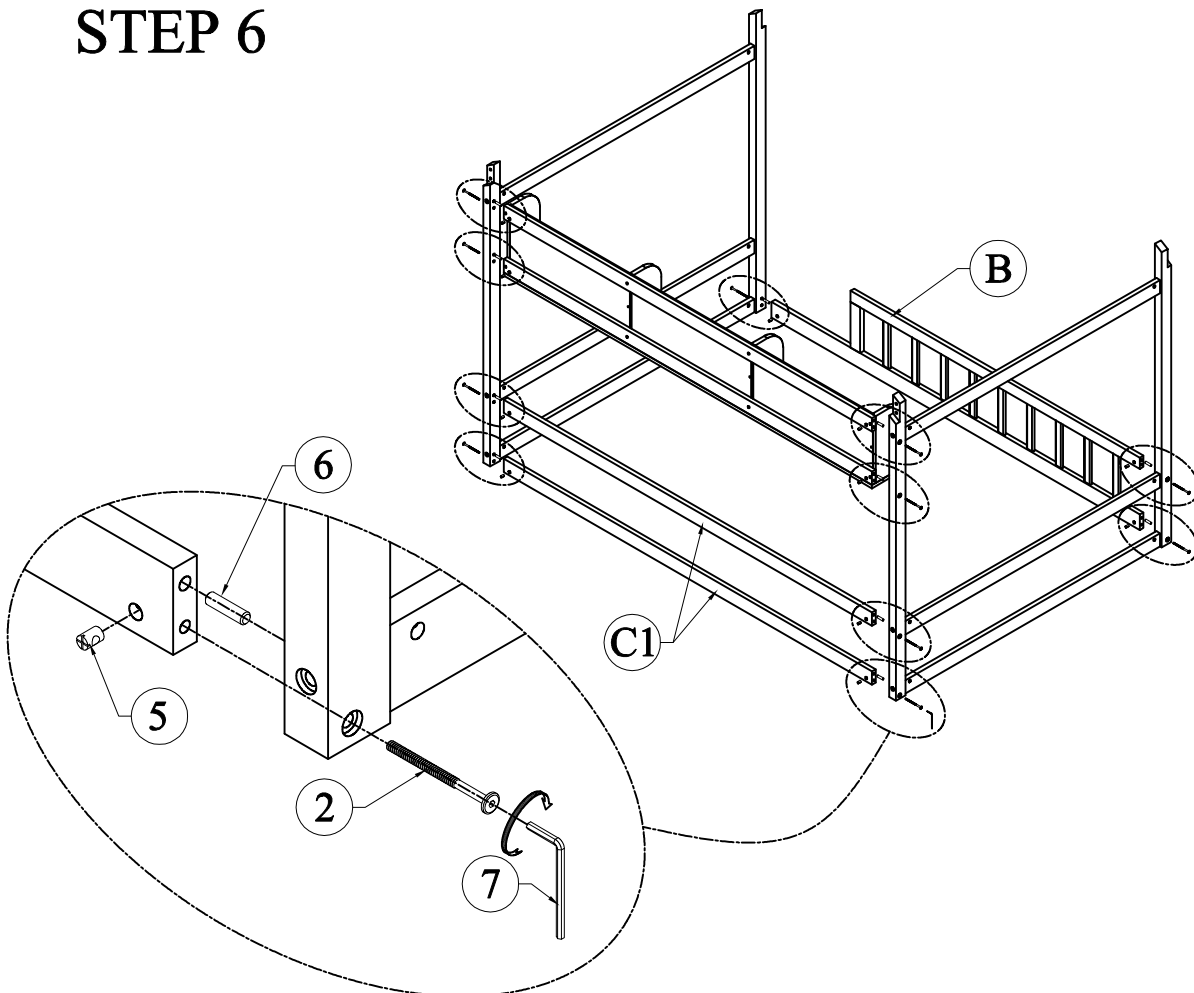


4  
Hexagonal bolts catch wood  
Ø1/4" \* 50 - 8pcs

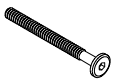
# STEP 5



# STEP 6



2



Hex - Head bolts  
Ø1/4" \* 80 - 11pcs

5



Horizontal - Hold bolts  
Ø1/4" - 11pcs

6



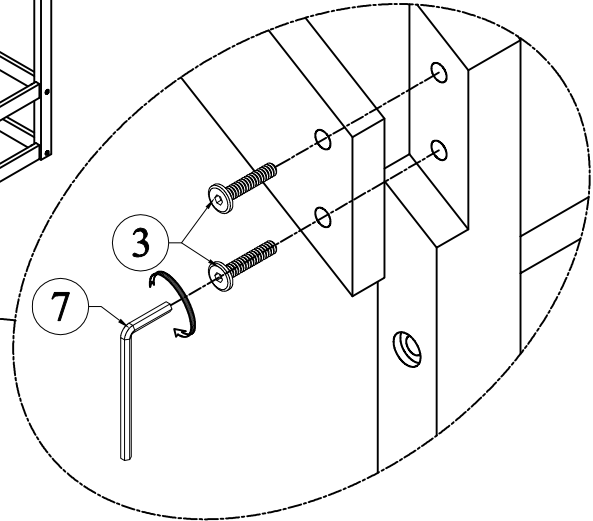
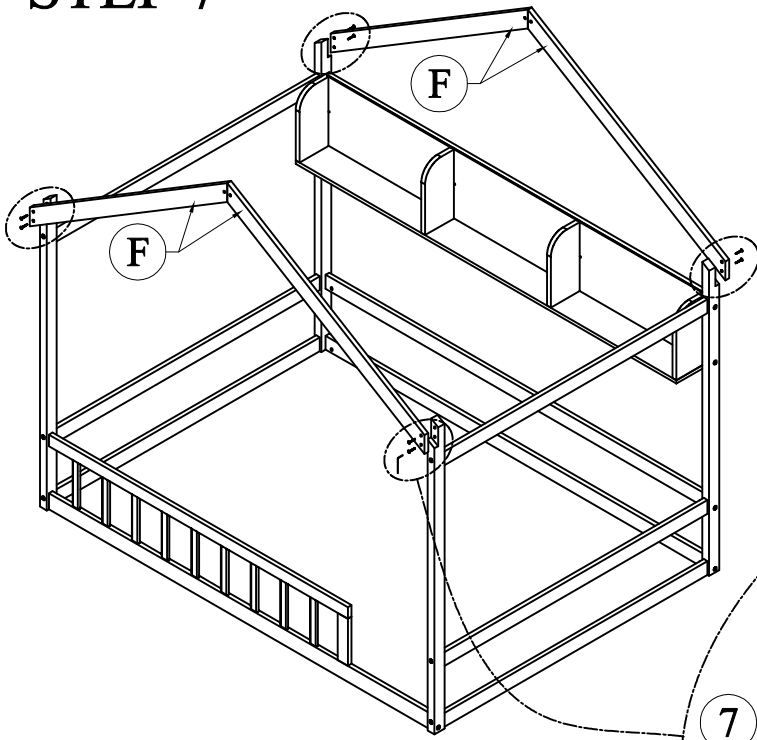
Wood dowel  
Ø8 \* 30 - 11pcs

# STEP 7

3



Hex - Head bolts  
Ø1/4" \* 35- 8pcs

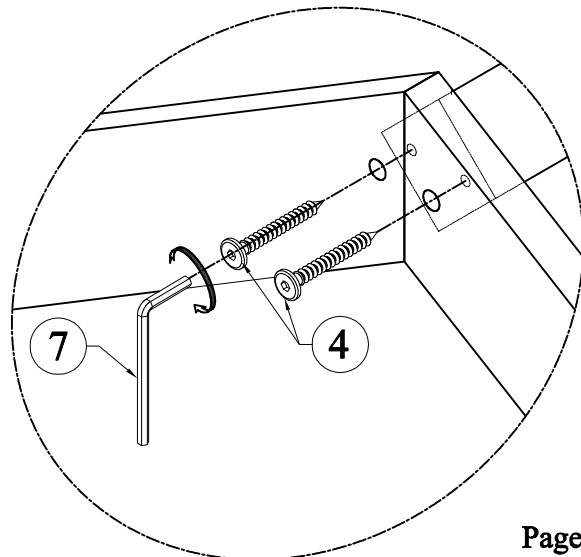
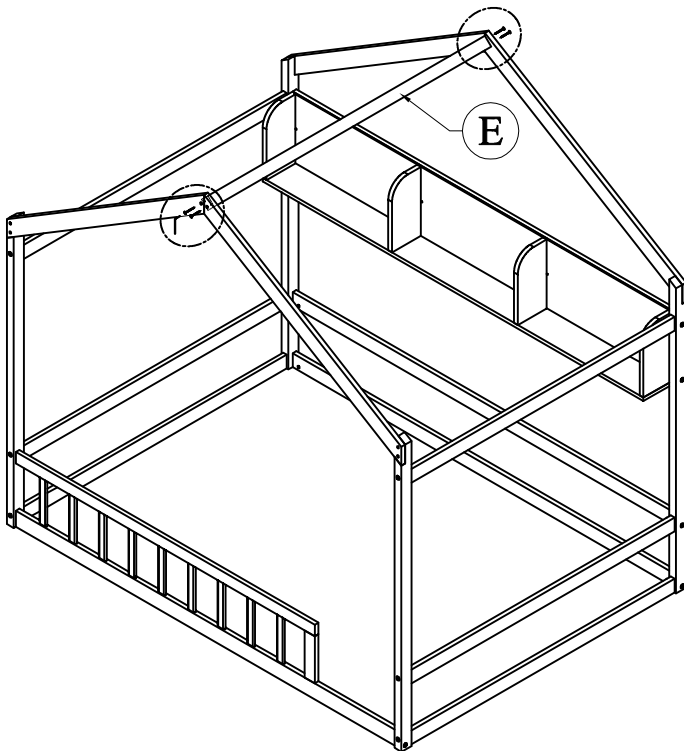


# STEP 8

4



Hexagonal bolts catch wood  
Ø1/4" \* 50 - 4pcs





COMPLETED

