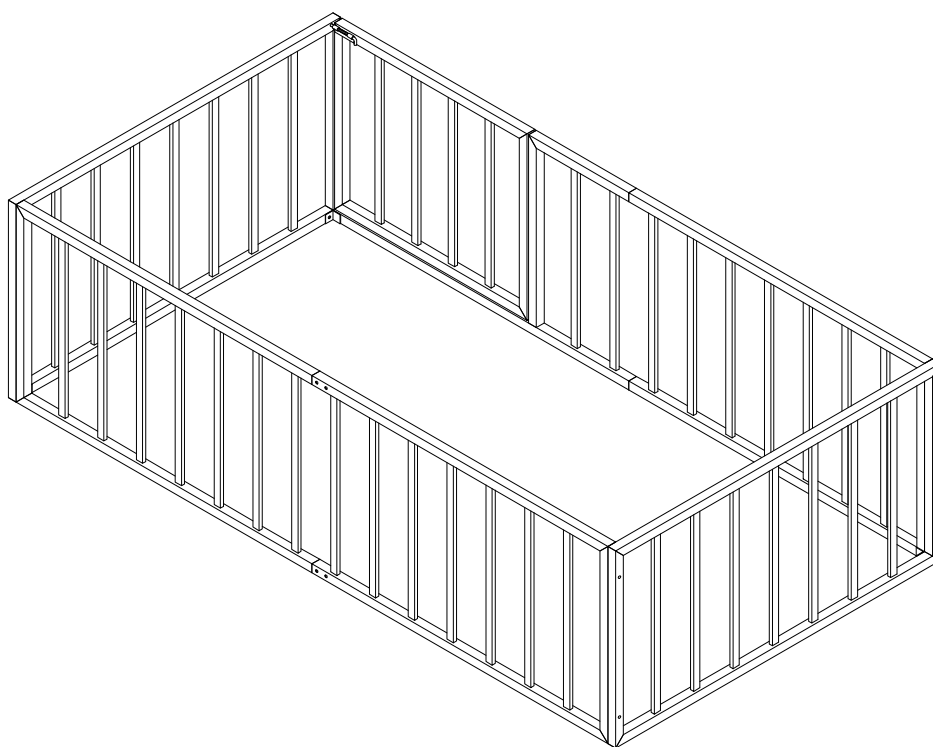
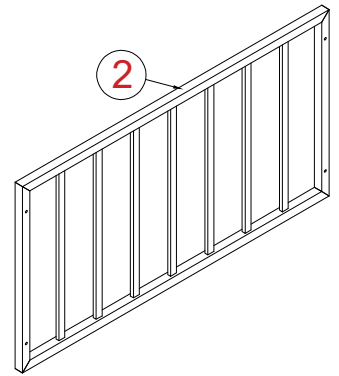
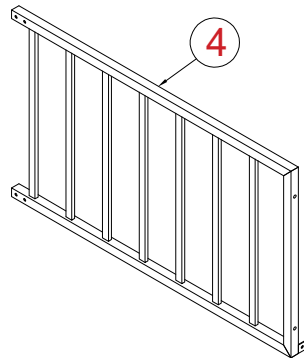
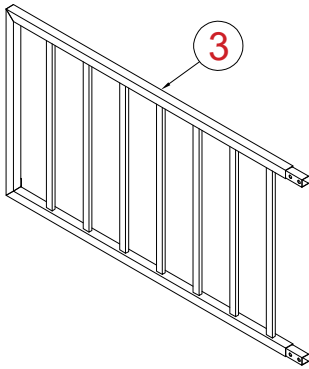
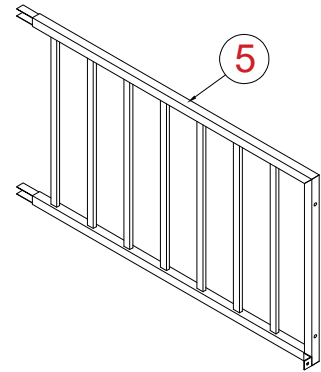
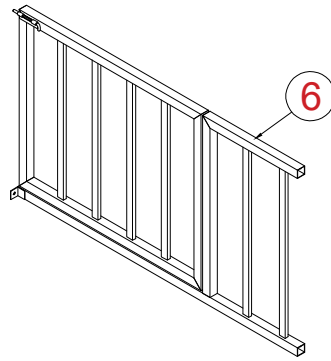
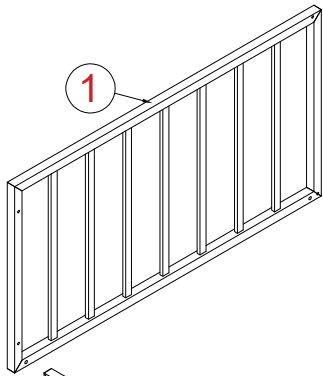


ASSEMBLY INSTRUCTION

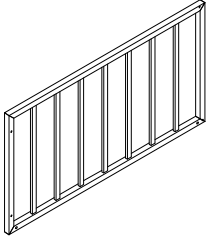
MF307108





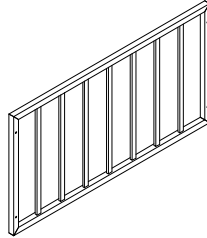
PART LIST MF307108

1



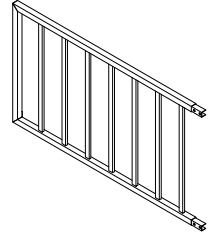
1PC

2



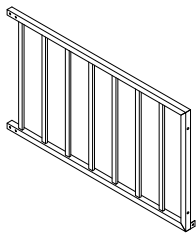
1PC

3



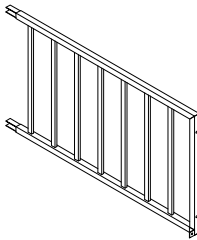
1PC

4



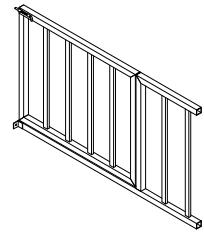
1PC

5



1PC

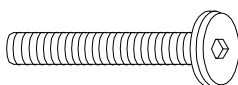
6



1PC

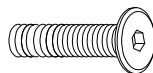
HARDWARE LIST MF307108

A



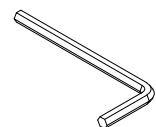
7 PCS
M $\frac{1}{4}$ 'X35

B



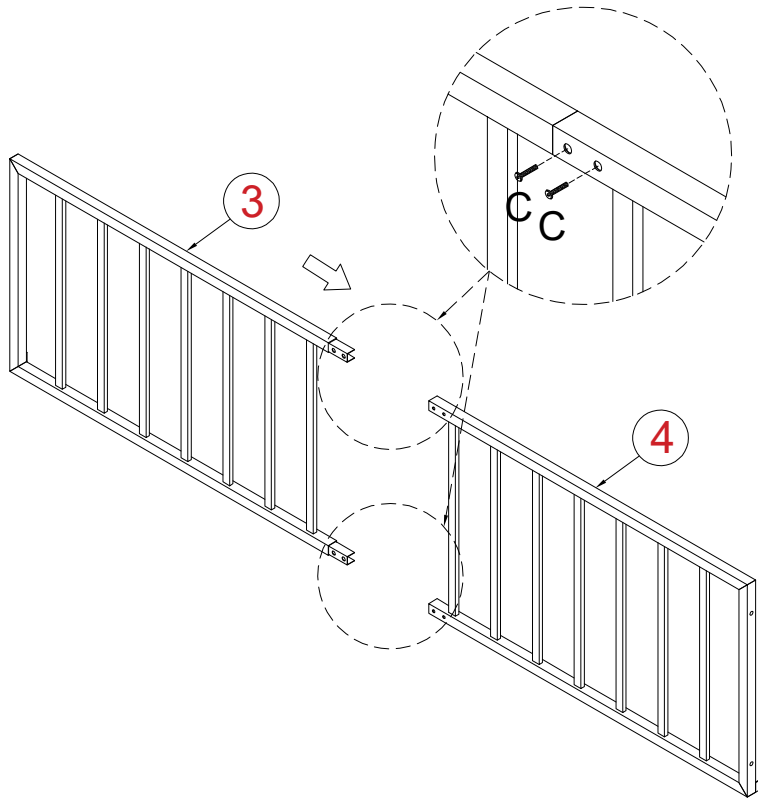
12 PCS
M $\frac{1}{4}$ 'X15

C




1PC
M4X23X57

STEP 1

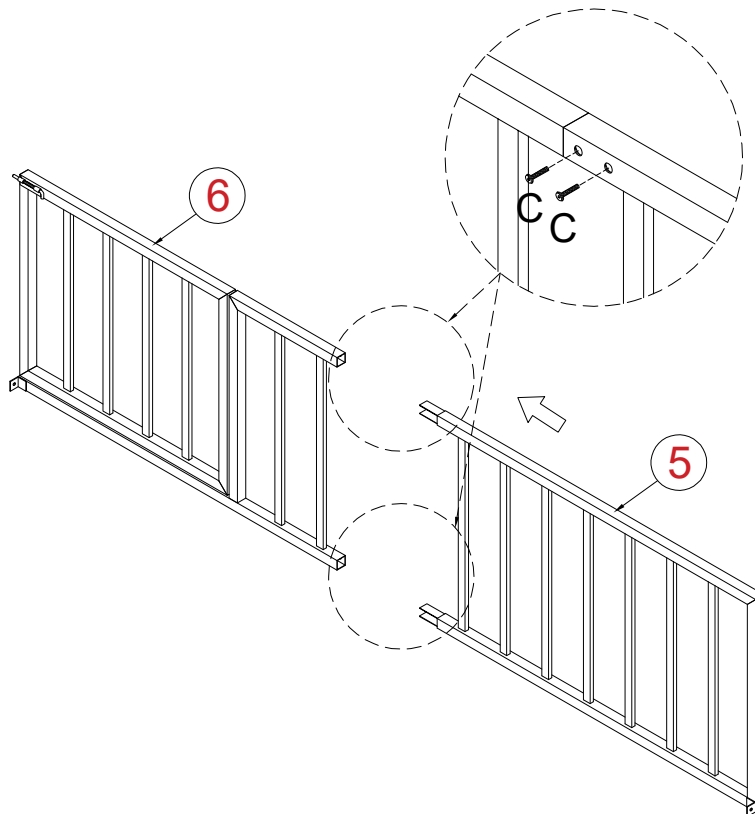


B



M $\frac{1}{4}$ "x15

4 PCS

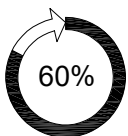
STEP 2





B


M $\frac{1}{4}$ "x15

4 PCS



STEP 3

| A | B |
|------------------------------------------------------------------------------------------------------------|------------------------------------------------------------------------------------------------------------|
|  M $\frac{1}{4}$ x35 |  M $\frac{1}{4}$ x15 |
| 7 PCS | 4 PCS |

