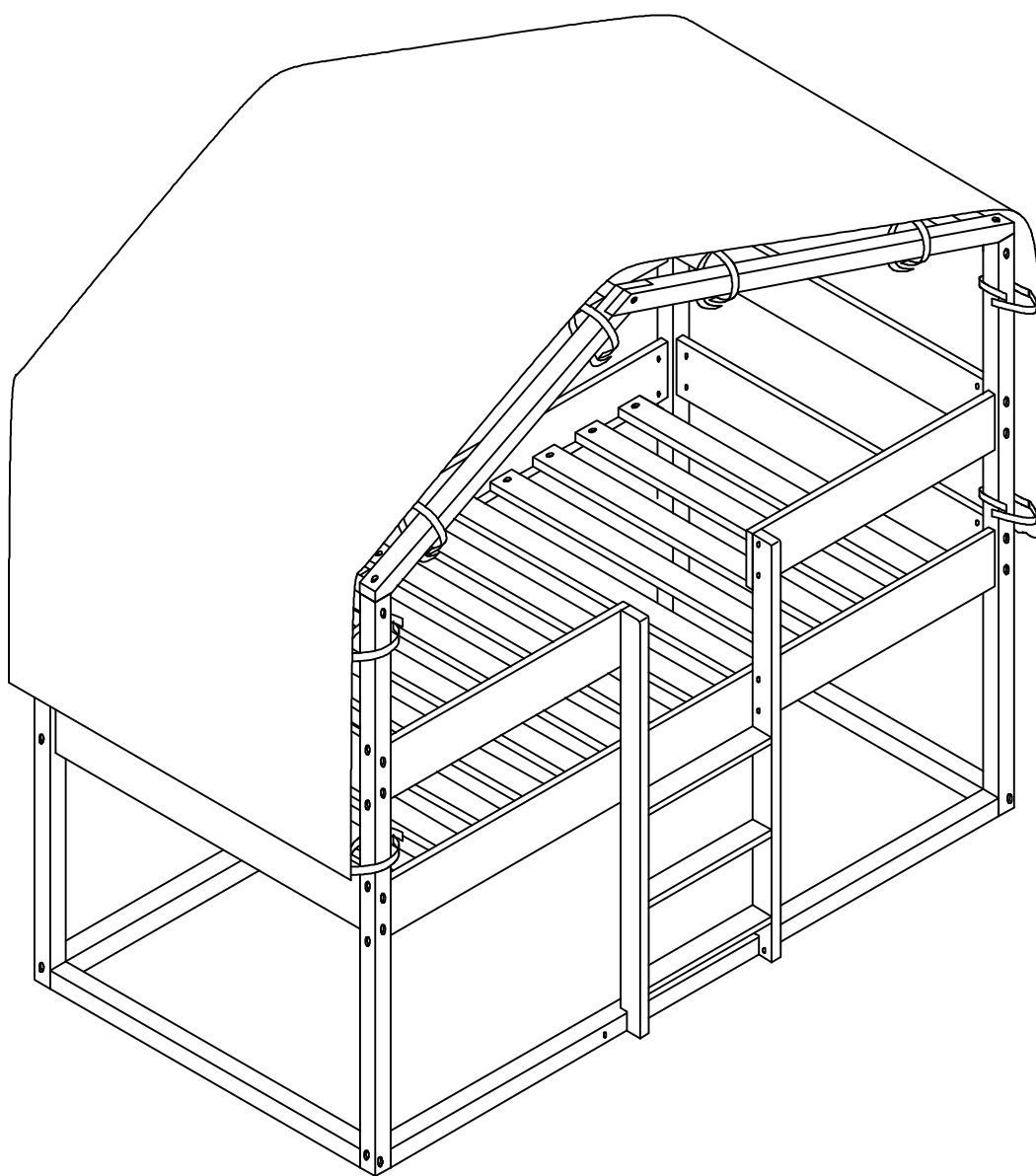


ASSEMBLY INSTRUCTIONS

BUNK BED



WF303999/WF304000



SAFETY WARNING



1. This bed is designed for use only mattress (es) meeting the following specifications on the upper bunk, and lower bunk:

Upper bunk (Bunk bed and tribed included)

Bed type	Length	Width	Thickness
Twin Standard	74"-75"	38 1/2"	6"

Lower bunk

Bed type	Length	Width	Thickness
Twin Standard	74"-75"	38 1/2"	8"

2. Replacement parts, including additional guardrails, maybe obtained from any of our (GIGACLOUD TECHNOLOGY (USA) INC . 18961 ARENTH AVENUE, CITY OF INDUSTRY , CA, 91748.) dealers

3. Follow the information on the warnings appearing on the upper bunk bed end structure and on the carton. Do not remove warning label from bed.

4. Always use the recommended size mattresses or mattress supports, or both, to help prevent the likelihood of entrapment or falls.

5. Surface of mattress must be at least 5" (127mm) below the upper edge of guardrails.

6. Do not allow children under 6 years of age to use the upper bunk.

7. Periodically check and ensure that the guardrail, ladder, and other components are in their proper position, free from damage, and that all connectors are tight.

8. Do not allow horseplay on or under the bed and prohibit jumping on the bed.

9. Always use the ladder for entering and leaving the upper bunk.

10. Do not use substitute part. Contact the manufacture or dealer for replacement part.

11. Use of a night light may provide added safety precaution for a child using the upper bunk.

12. Always use guardrails on both long sides of the upper bunk. If the bunk bed will be placed next to the wall, the guardrail that runs the full length of the bed should be placed against the wall to prevent entrapment between the bed and wall.

13. The use of water or sleep flotation mattresses is prohibited.

14. STRANGULATION HAZARD - Never attach or hang items to any part of the bunk bed that are not designed for use with the bed; for example, but not limited to, hook, belts and jump ropes.

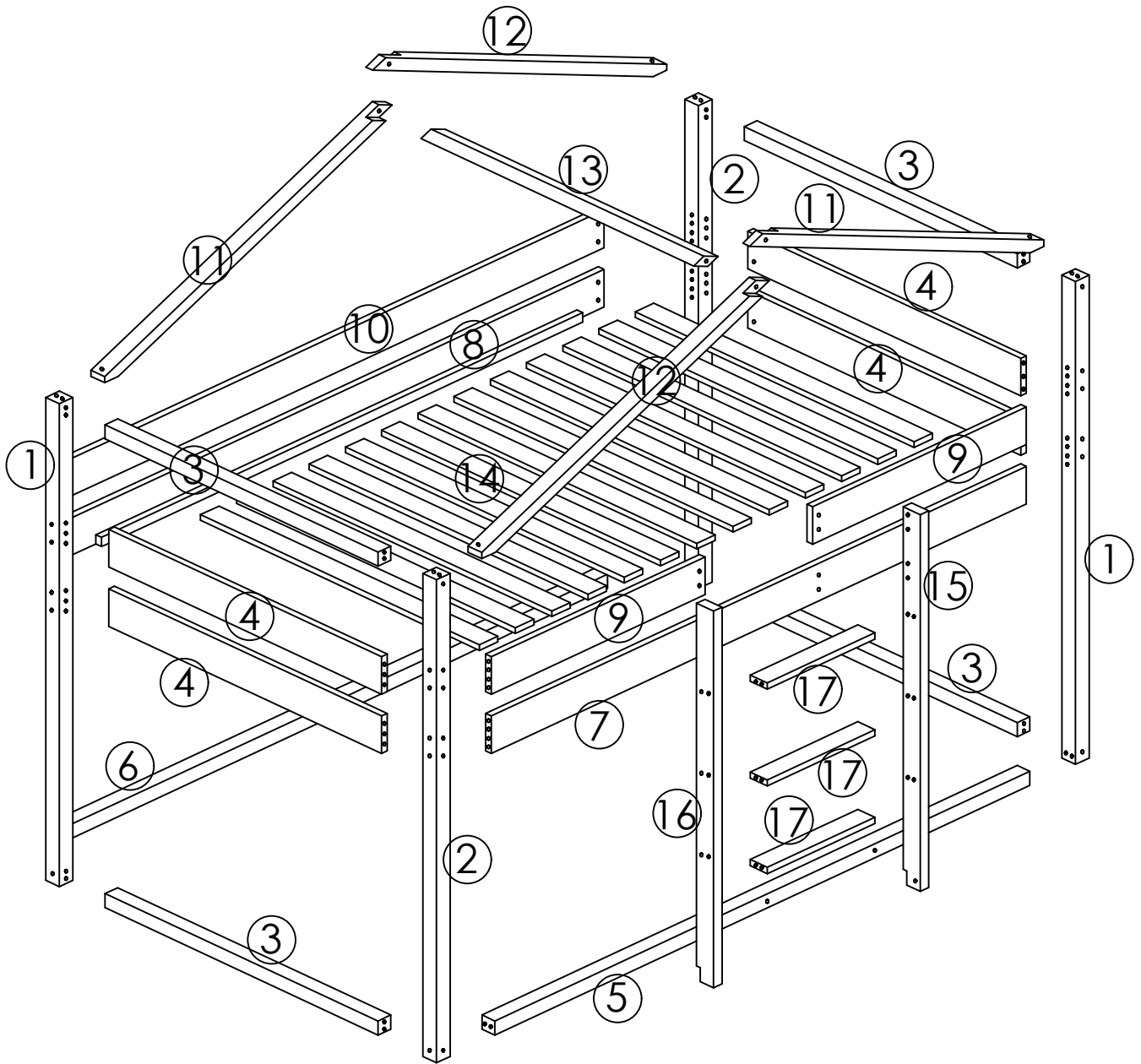
15. Keep these instruction for future reference.

16. Prohibit more than one person on upper bunk

17. We recommend assembling your bunk bed on the shipping carton to protect your floor or carpet

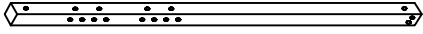
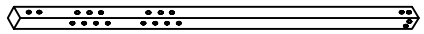
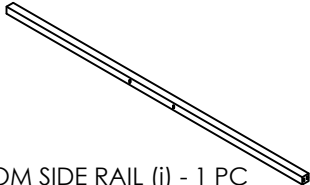
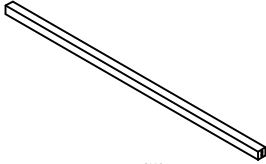
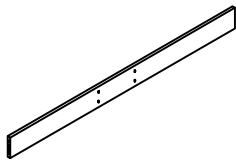

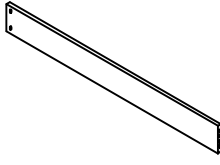
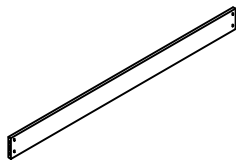
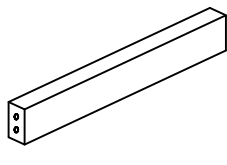
18. Be certain all staples are out of the box before beginning assembly on the shipping carton

Detail View

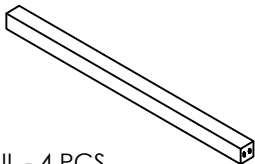
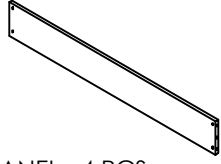
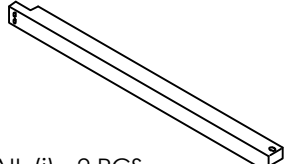
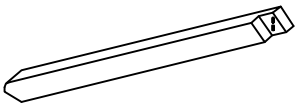
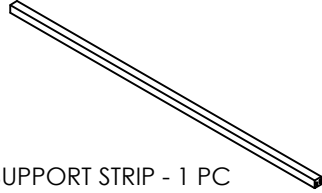
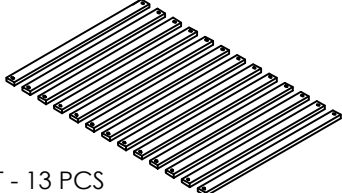
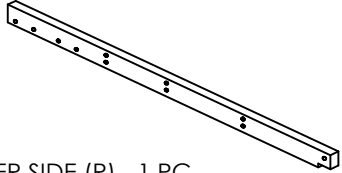
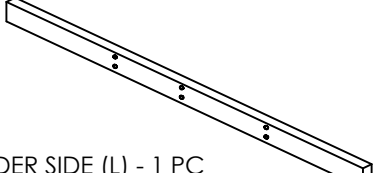


Part List

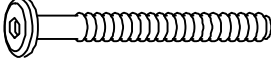
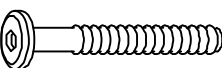
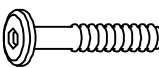



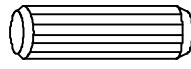
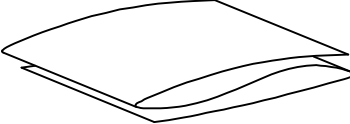
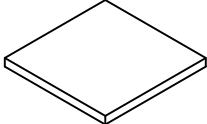
WF303999

<p>1</p>  <p>POST (i) - 2 PCS</p>	<p>2</p>  <p>POST (ii) - 2 PCS</p>	<p>5</p>  <p>BOTTOM SIDE RAIL (i) - 1 PC</p>
<p>6</p>  <p>BOTTOM SIDE RAIL (ii) - 1 PC</p>	<p>7</p>  <p>FRONT SIDE RAIL WITH CLEAT - 1 PC</p>	<p>8</p>  <p>BACK SIDE RAIL WITH CLEAT - 1 PC</p>
<p>9</p>  <p>FRONT SAFETY RAIL - 2 PCS</p>	<p>10</p>  <p>BACK SAFETY RAIL - 1 PC</p>	<p>17</p>  <p>LADDER STEP - 3 PCS</p>

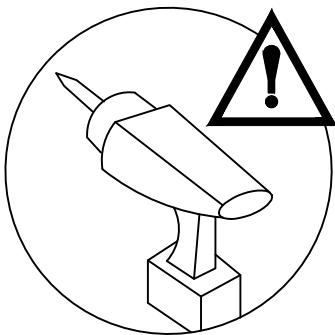
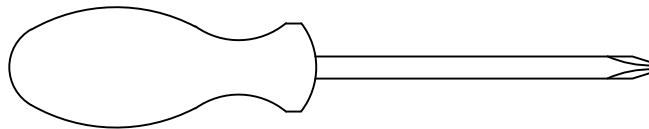
WF304000

<p>3</p>  <p>END RAIL - 4 PCS</p>	<p>4</p>  <p>END PANEL - 4 PCS</p>	<p>11</p>  <p>TOP RAIL (i) - 2 PCS</p>
<p>12</p>  <p>TOP RAIL (ii) - 2 PCS</p>	<p>13</p>  <p>TOP SUPPORT STRIP - 1 PC</p>	<p>14</p>  <p>SLAT - 13 PCS</p>
<p>15</p>  <p>LADDER SIDE (R) - 1 PC</p>	<p>16</p>  <p>LADDER SIDE (L) - 1 PC</p>	

Hardware List - WF303999

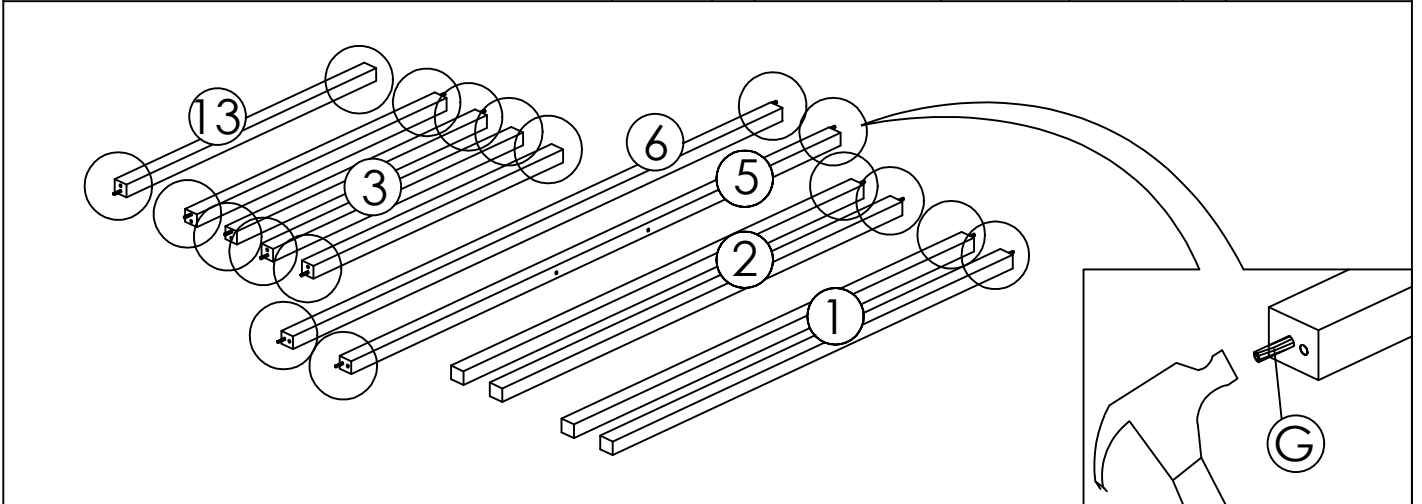
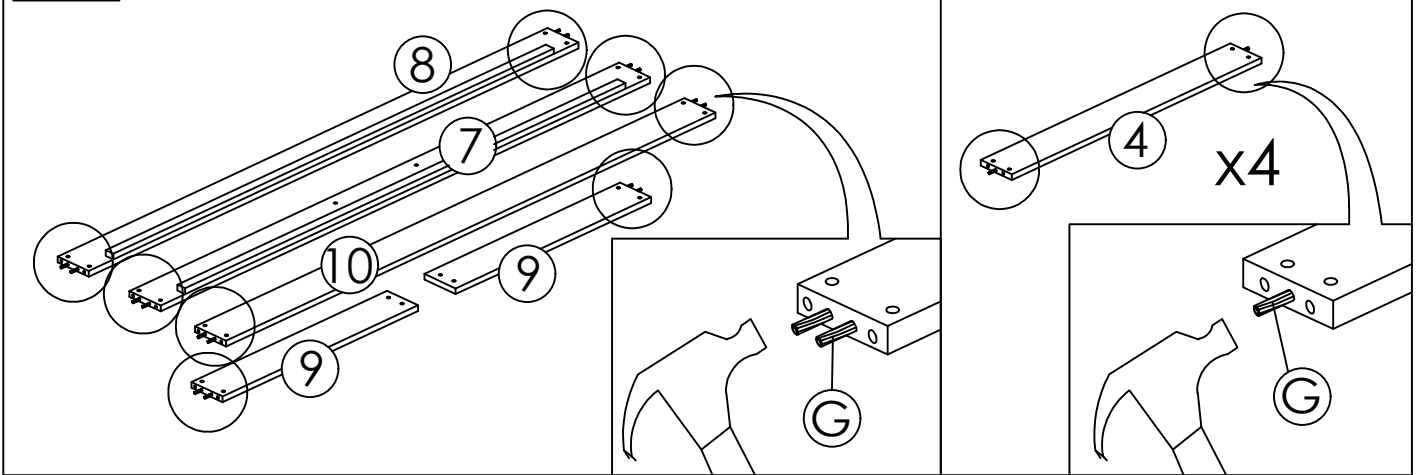
<p>A</p>  <p>JCBC SCREW M6 x 90MM - 32 PCS</p>	<p>B</p>  <p>JCBC SCREW M6 x 70MM - 20 PCS</p>	<p>C</p>  <p>JCBC SCREW M6 x 55MM - 20 PCS</p>
<p>D</p>  <p>M4 ALLEN KEY (100MM) - 1 PC</p>	<p>E</p>  <p>BARREL NUT M6 x 13MM - 42 PCS</p>	<p>F</p>  <p>CSK SCREW M4 x 25MM - 26 PCS</p>
<p>G</p>  <p>WOOD DOWEL M10 x 40MM - 42 PCS</p>	<p>H</p>  <p>CANOPY - 1 PC</p>	<p>I</p>  <p>BLOCK FOR SLAT ASSEMBLY 80MM X 80MM X 6MM - 1PC</p>

ASSEMBLY TOOLS REQUIRED (NOT INCLUDED)

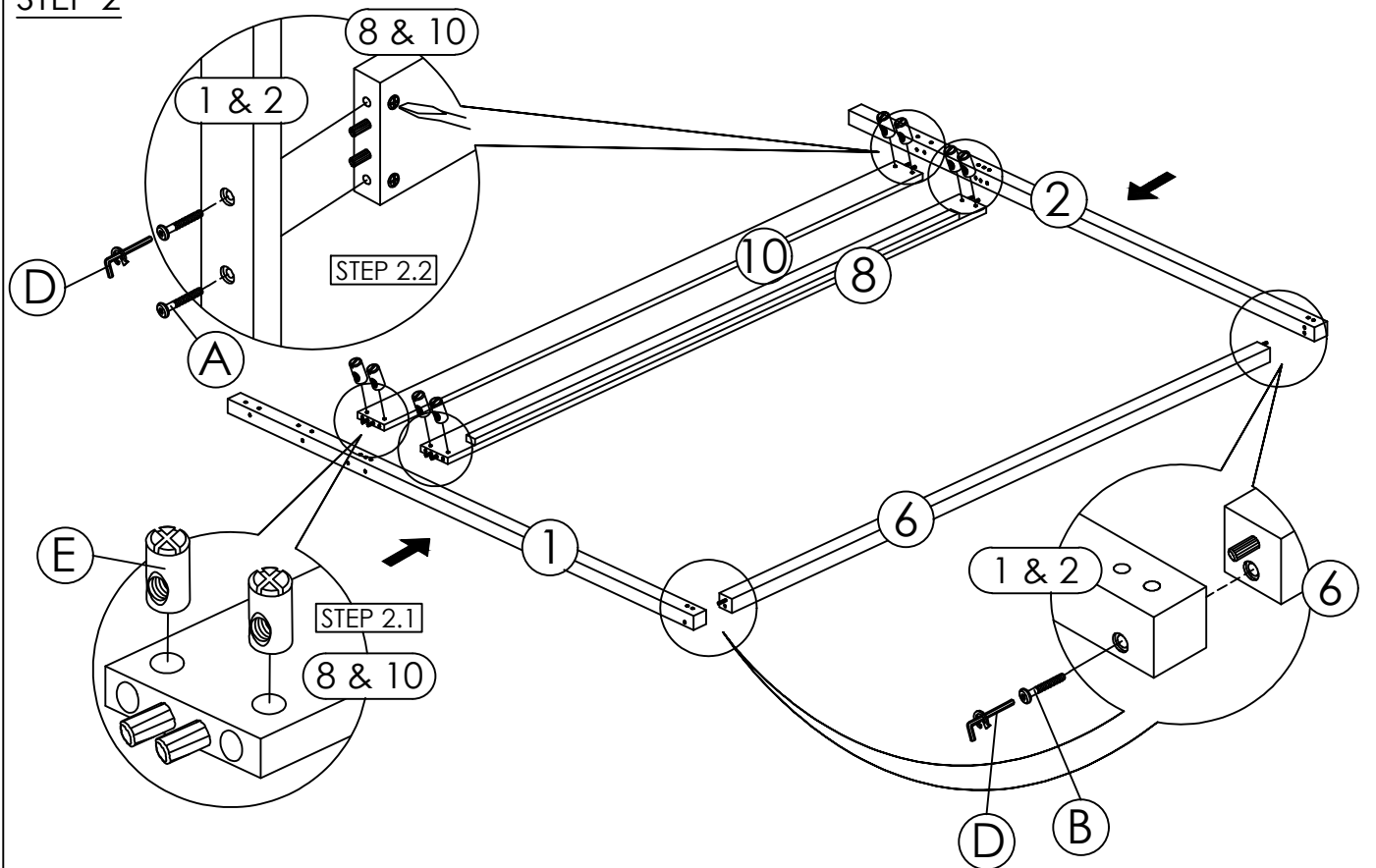


PLEASE BE CAREFULL DO NOT DAMAGE THE HOLE POSITION WHEN YOU USE POWER TOOLS !

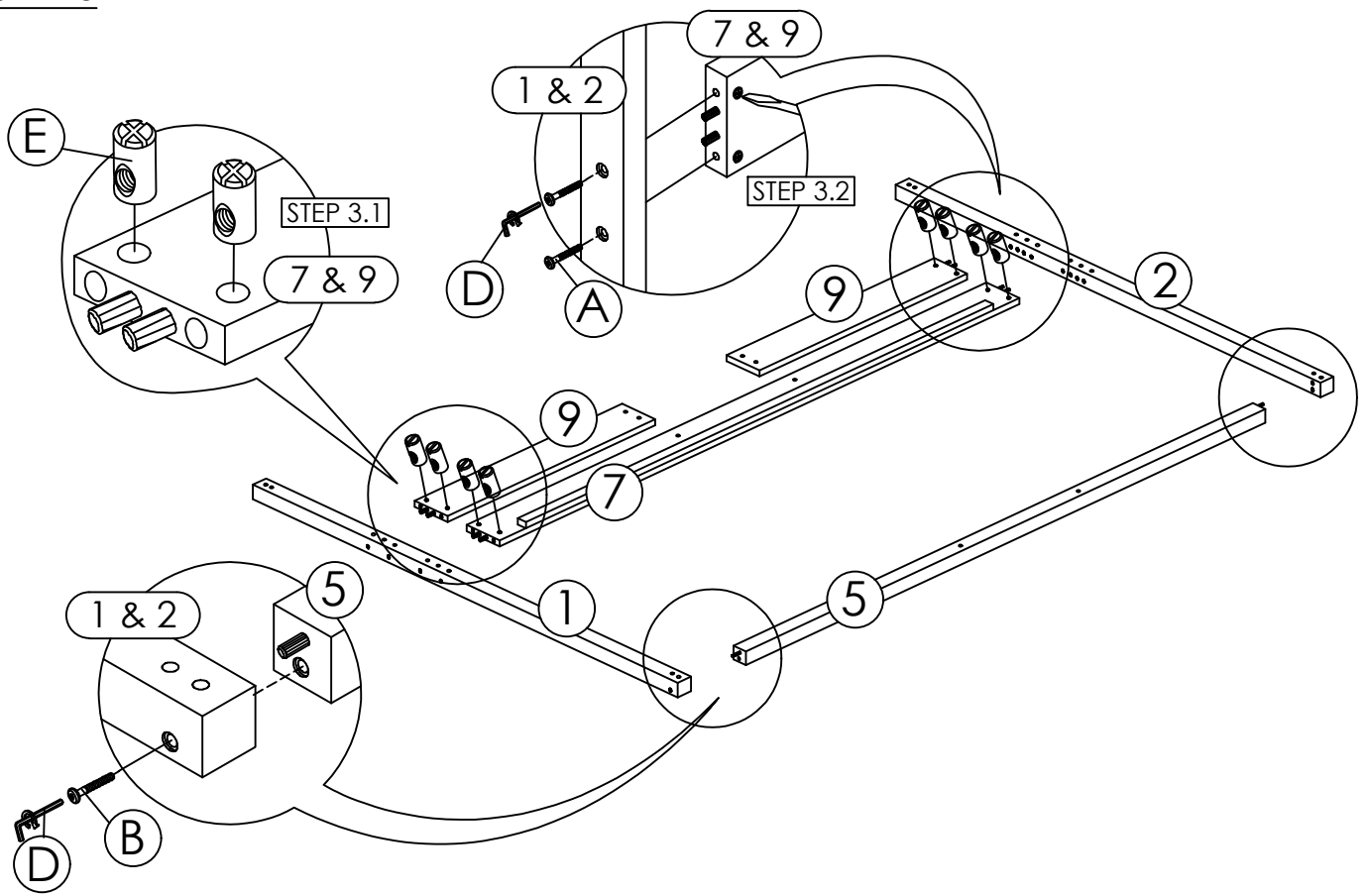
STEP 1



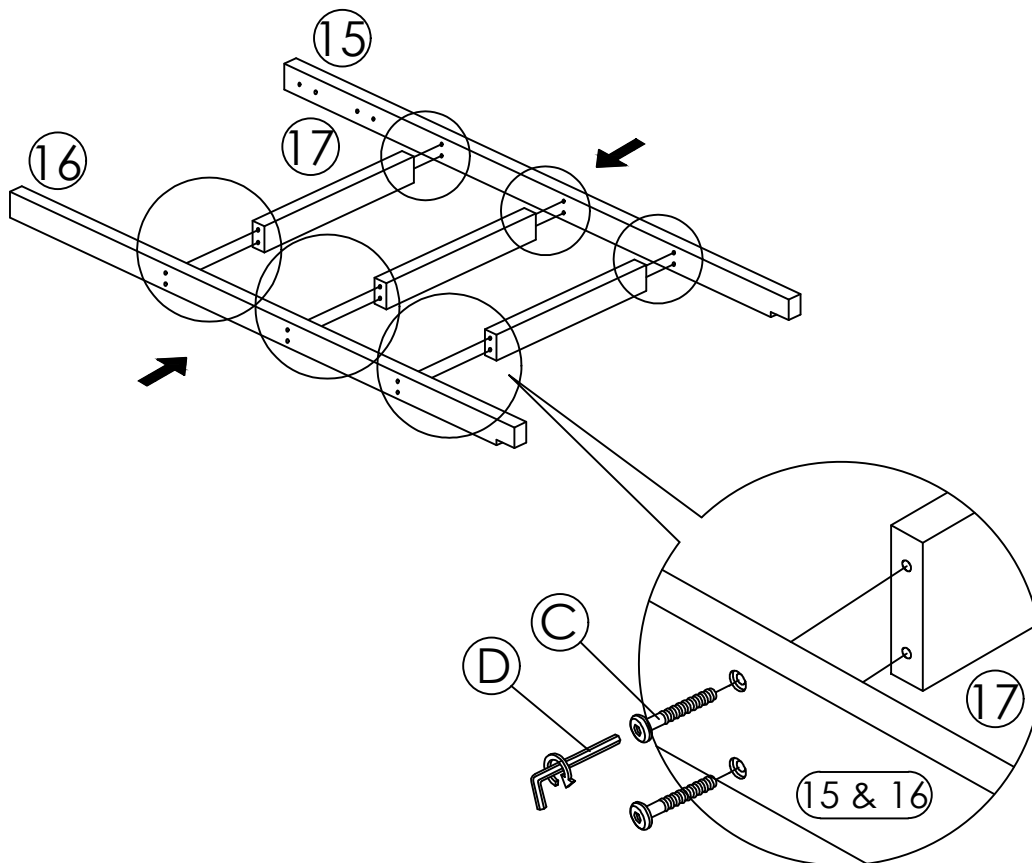
STEP 2



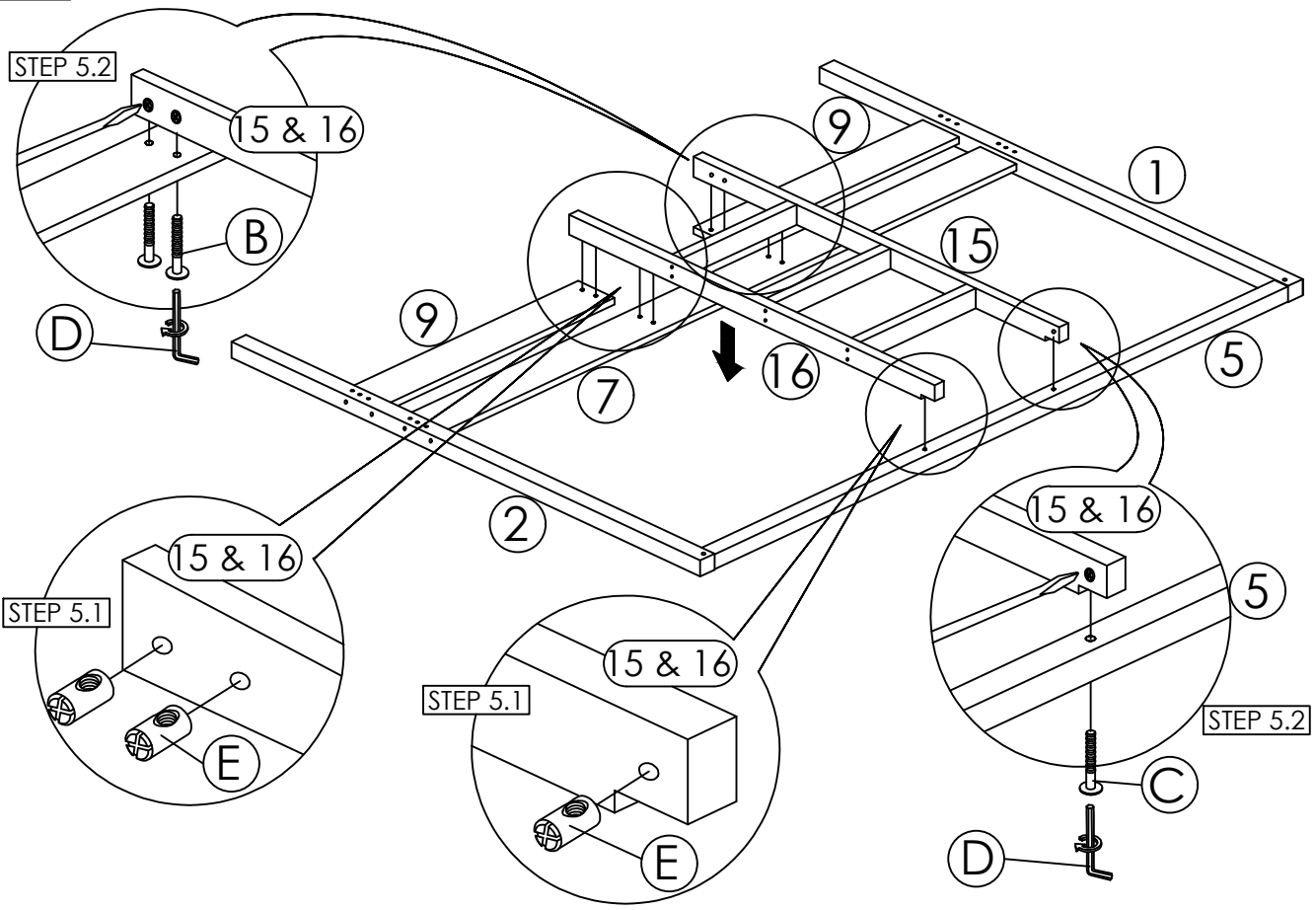
STEP 3



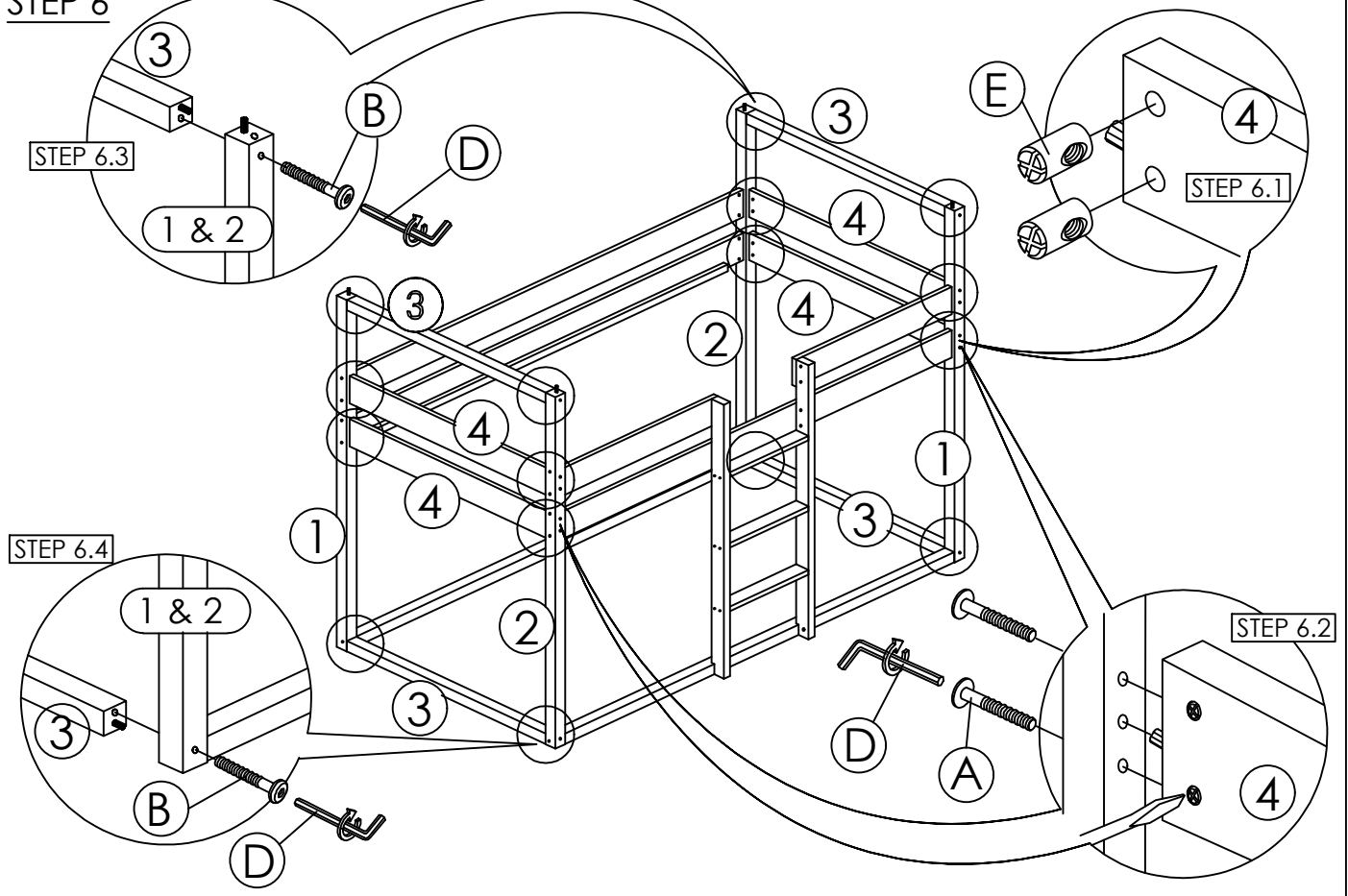
STEP 4



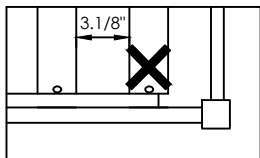
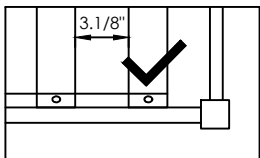
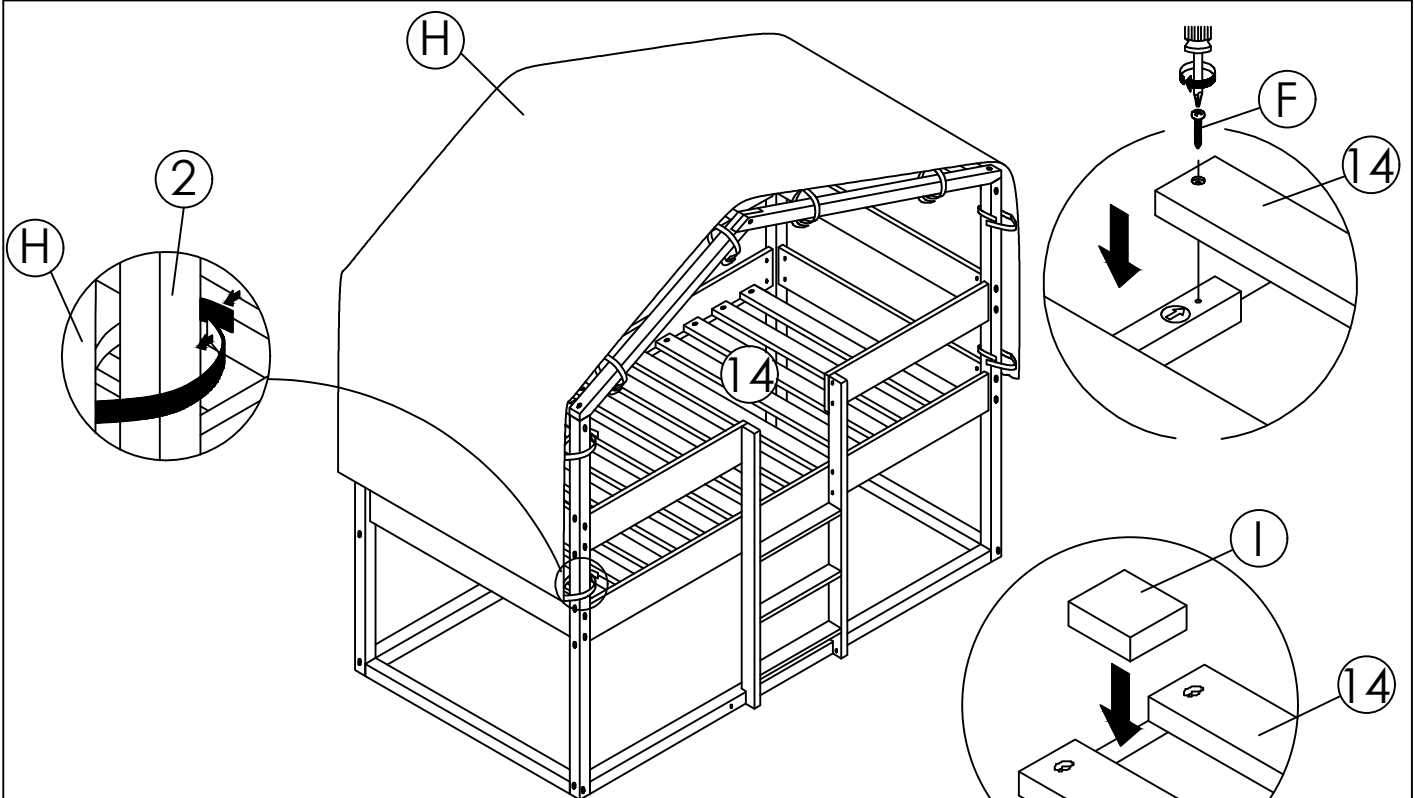
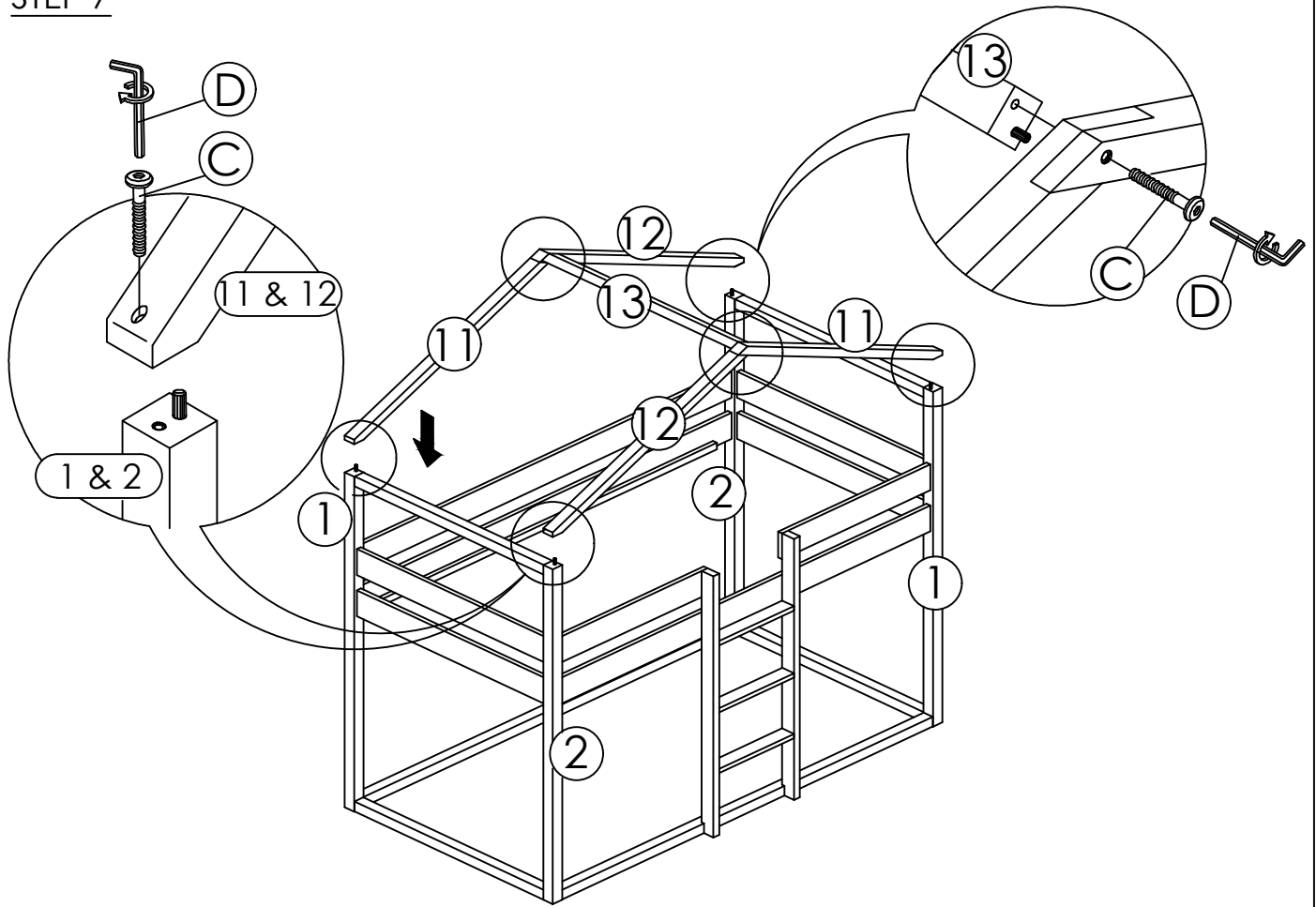
STEP 5



STEP 6



STEP 7



Note : Do not lock the screws of the bed slats to the outermost edge of the bed slats, you need to leave a certain space at the edges, otherwise it will cause the board to break

ASSEMBLY COMPLETED

This sticker was stucked at one of the END PANEL (4)

⚠ WARNING

To help prevent serious or fatal injuries from entrapment falls:

- Never allow a child under 6 years on upper bunk.
- Use only mattress which is 74"-75" long and 37½" - 38½" wide on upper bunk.
- Ensure thickness of mattress does not exceed 6 and mattress is at least 5" bellow upper edge of guardrails.
- Use guardrails on both sides of upper bunk.
- Prohibit horseplay on or under bed(s).
- Prohibit more than one person on upper bunk.
- Use ladder for entering and leaving upper bunk.

STRANGULATION HAZARD - Never attach or hang items to any part of the bunk bed that are not designed for use with the bed; for example, but not limited to, hooks, belts, and jumpropes.

DO NOT REMOVE THIS LABES

Assembly the end panel which stucked a warning label on top as shown

