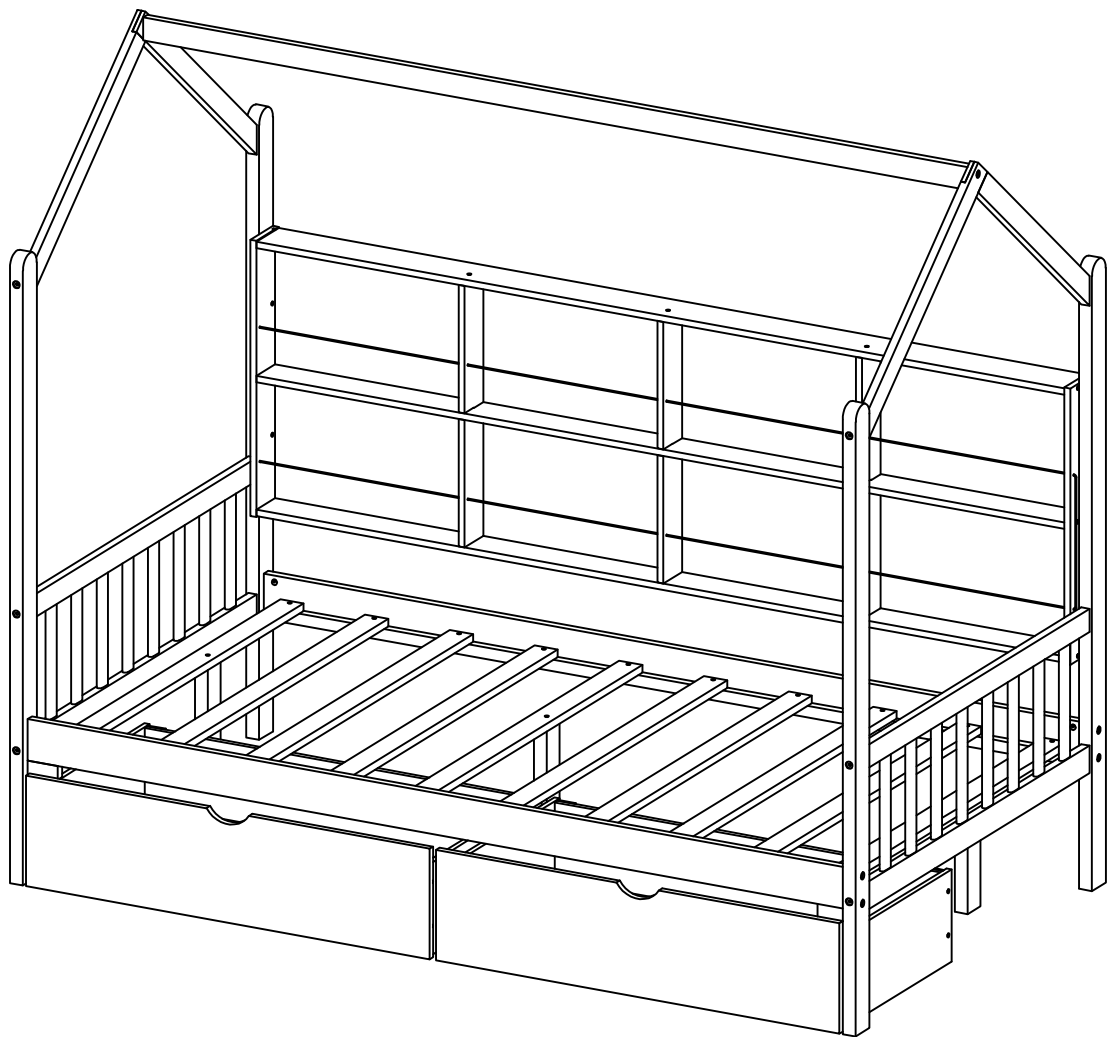
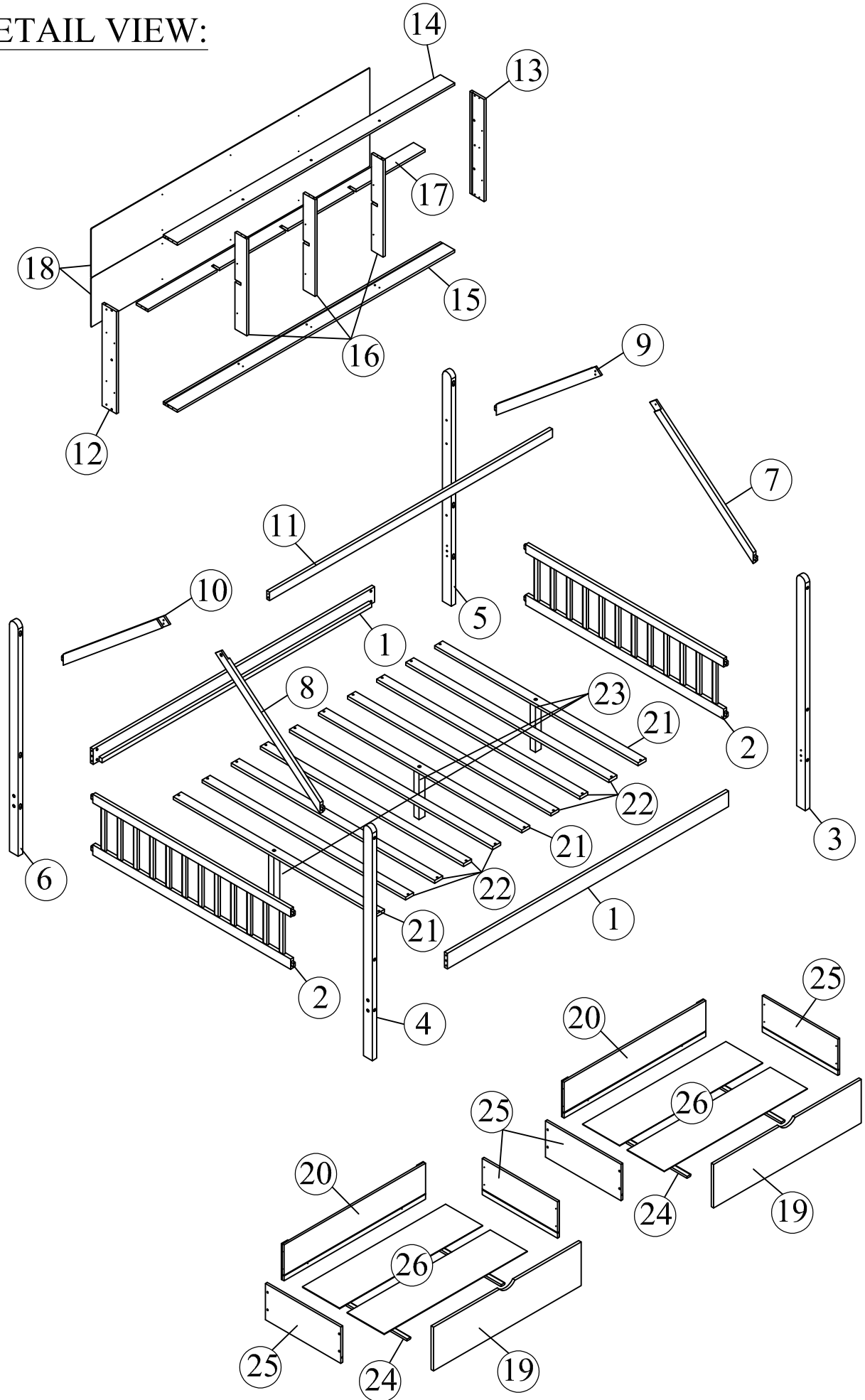


# ASSEMBLY INSTRUCTION

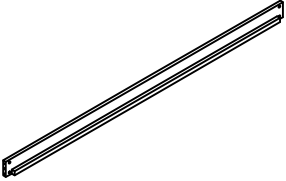
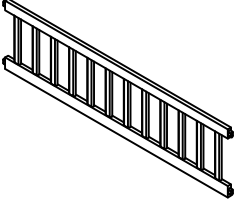




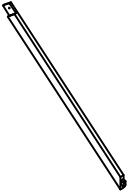
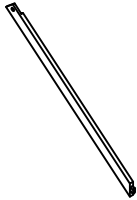
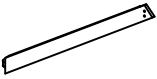

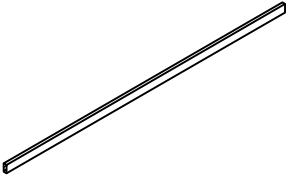


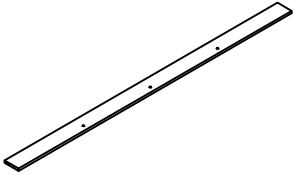
SKU CODE: WF301459



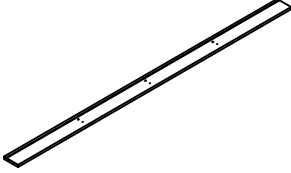

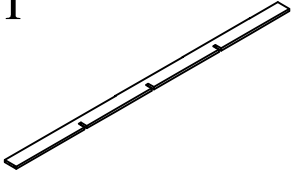
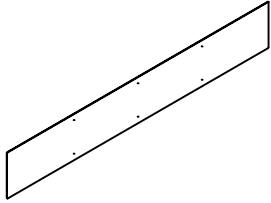
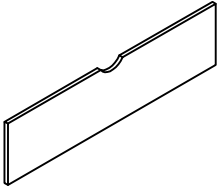
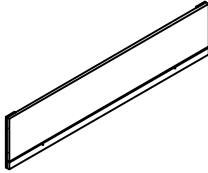
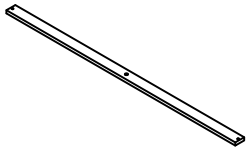
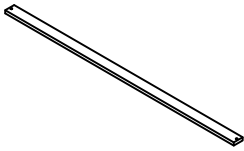


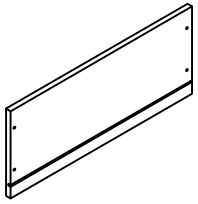
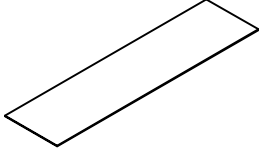
DETAIL VIEW:



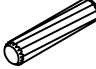
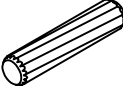






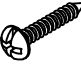




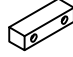
# Part List (WF301459)

<p>① x2</p>  <p>Side Rails</p>	<p>② x2</p>  <p>Frames Headboards</p>
<p>③ x1</p>  <p>Front Right Leg</p>	<p>④ x1</p>  <p>Front Left Leg</p>
<p>⑤ x1</p>  <p>Back Right Leg</p>	<p>⑥ x1</p>  <p>Back Left Leg</p>
<p>⑦ x1</p>  <p>Front Right Roof Rail</p>	<p>⑧ x1</p>  <p>Front Left Roof Rail</p>
<p>⑨ x1</p>  <p>Back Right Roof Rail</p>	<p>⑩ x1</p>  <p>Back Left Roof Rail</p>
<p>⑪ x1</p>  <p>Roof Rail</p>	<p>⑫ x1</p>  <p>Left Side Shelf</p>
<p>⑬ x1</p>  <p>Right Side Shelf</p>	<p>⑭ x1</p>  <p>Top Shelf</p>

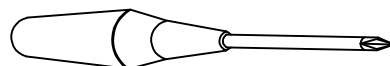
# Part List (WF301459)

<p>①⑤ x1</p>  <p><b>Bottom Shelf</b></p>	<p>①⑥ x3</p>  <p><b>Shelf</b></p>
<p>①⑦ x1</p>  <p><b>Shelf</b></p>	<p>①⑧ x2</p>  <p><b>Back Shelf</b></p>
<p>①⑨ x2</p>  <p><b>Front Drawers</b></p>	<p>②⑦ x2</p>  <p><b>Back Drawers</b></p>
<p>②① x3</p>  <p><b>Slats</b></p>	<p>②② x7</p>  <p><b>Slats</b></p>
<p>②③ x3</p>  <p><b>Support Legs</b></p>	<p>②④ x4</p>  <p><b>Drawer Side Supports</b></p>
<p>②⑤ x4</p>  <p><b>Side Drawers</b></p>	<p>②⑥ x4</p>  <p><b>Bottom Drawers</b></p>


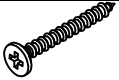
## Hardware List WF301459

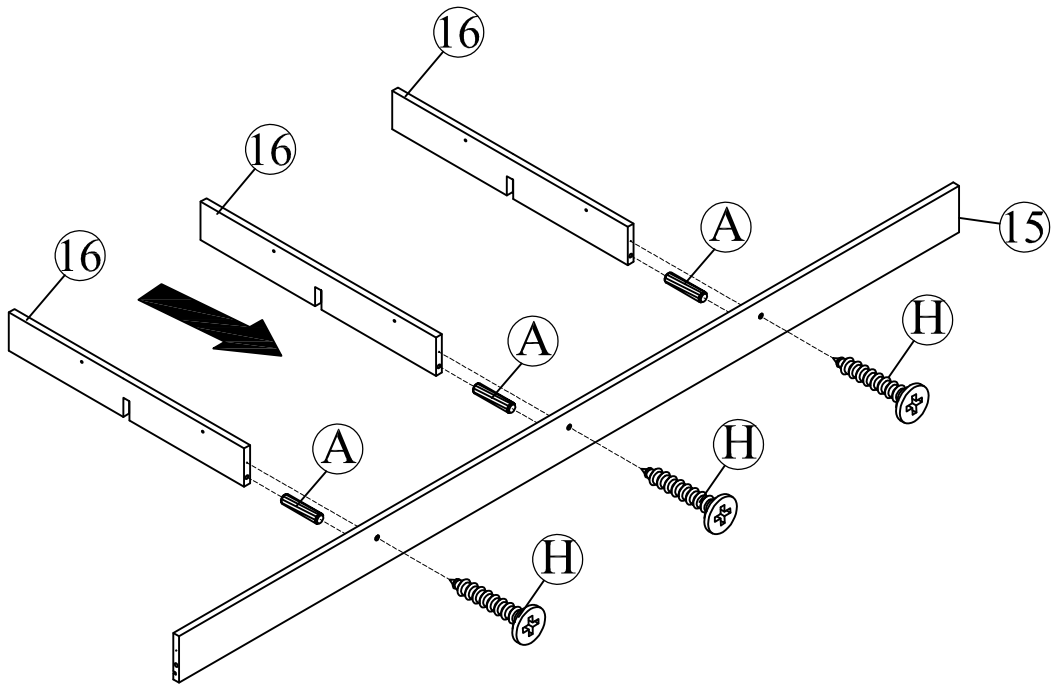
No.	OUTLOOK	DESC	QTY
(A)		Dowel Ø8*30mm	18
(B)		Dowel Ø10*40mm	4
(C)		Screws Ø6.5*70mm	12
(D)		Bolts 1/4"*25mm	7
(E)		Bolts 1/4"*70mm	10
(F)		Screws #6*12mm	44
(G)		Screws #8*25mm	44
(H)		Screws #8*35mm	12
(I)		Round head screw #8*20mm	12
(J)		Base L	6
(K)		Wheels	8
(M)		Rip cord 4150mm	1
(N)		Allen key 60*22*4mm	1
(O)		Wood stops	2

**ASSEMBLY TOOLS REQUIRED (NOT INCLUDED)**

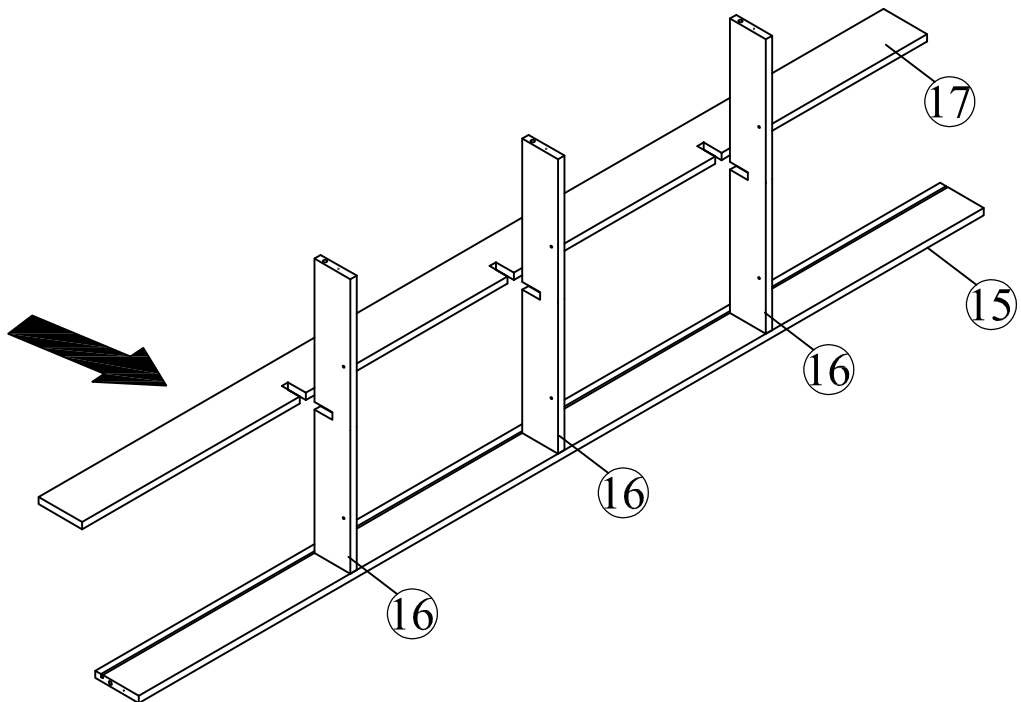


STEP 1:


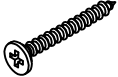
(A)		03
(H)		03

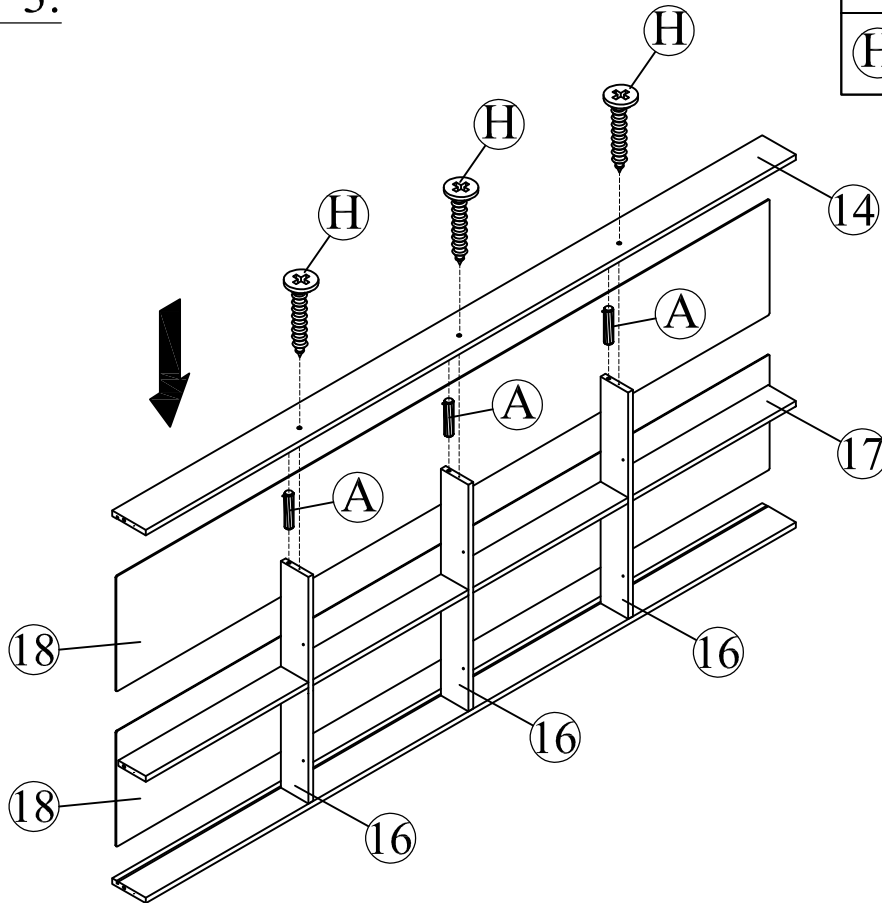


STEP 2:

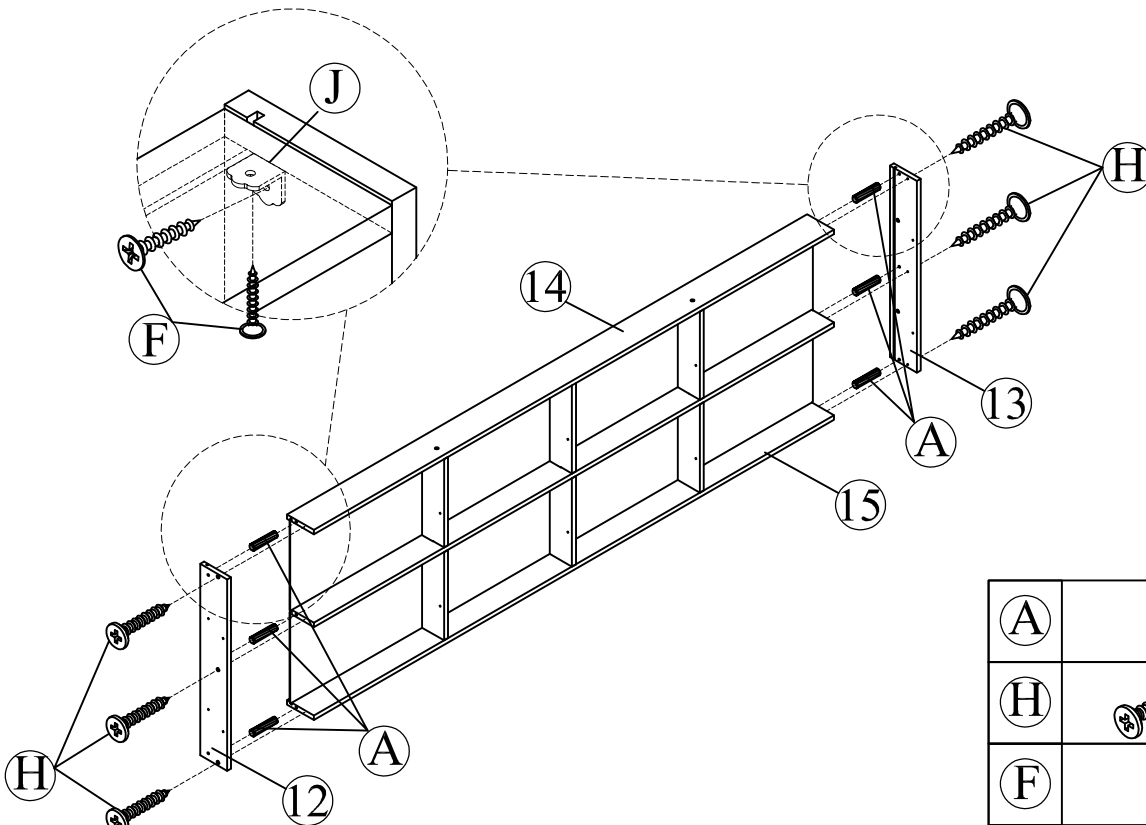






**STEP 3:**

(A)		03
(H)		03

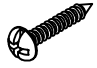


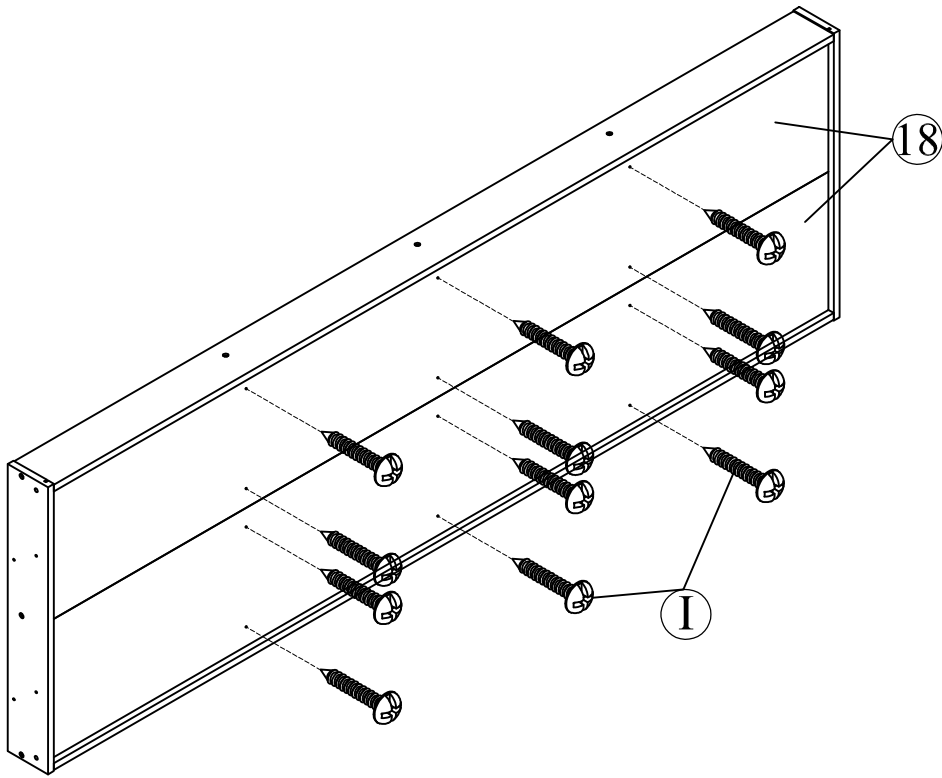
**STEP 4:**




(A)		06
(H)		06
(F)		04
(J)		02

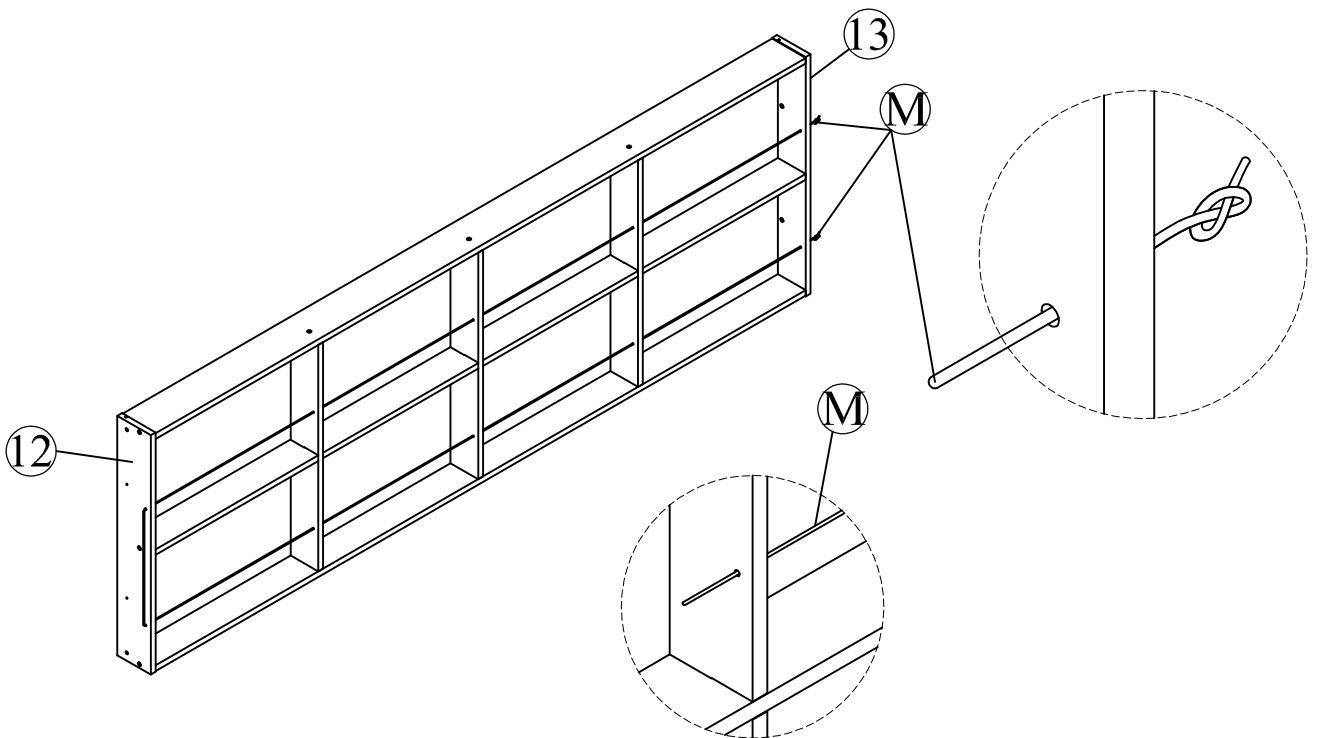
STEP 5:

I		12
---	---	----



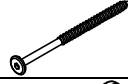

STEP 6:

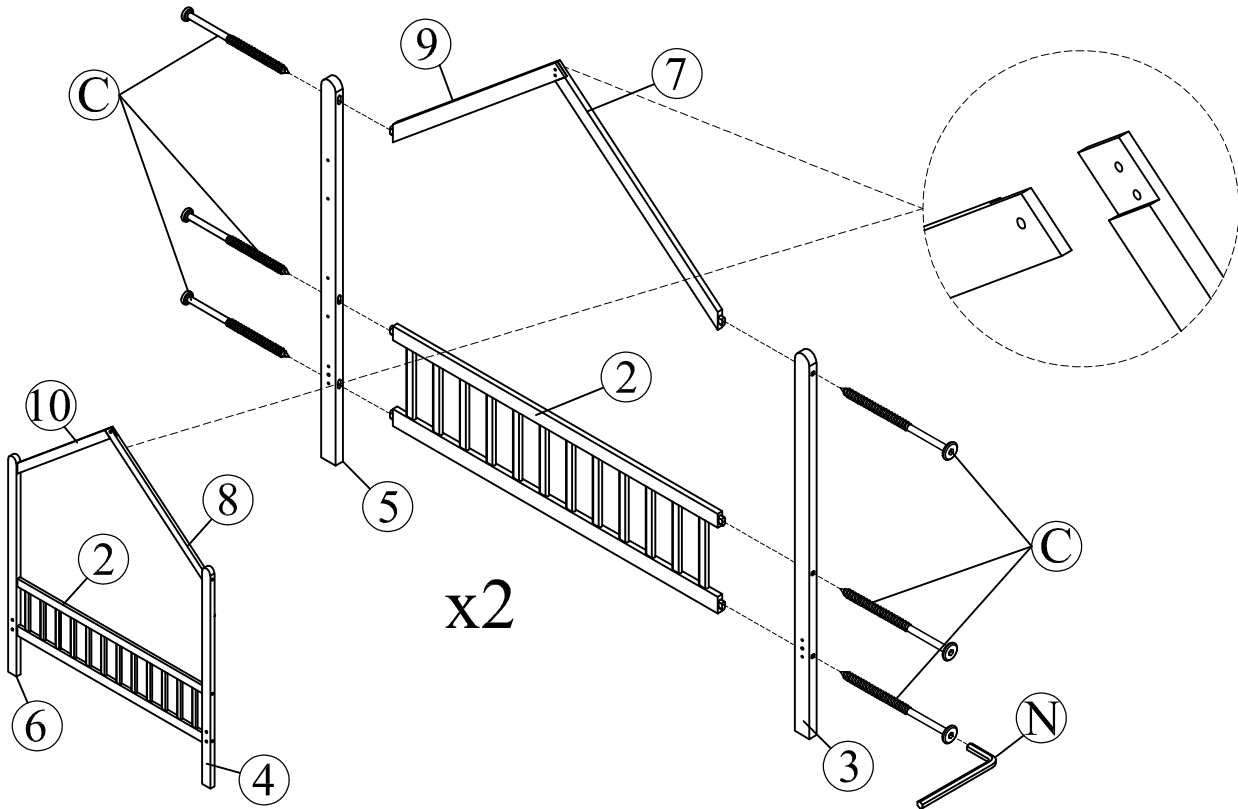
M		01
---	---	----



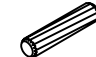





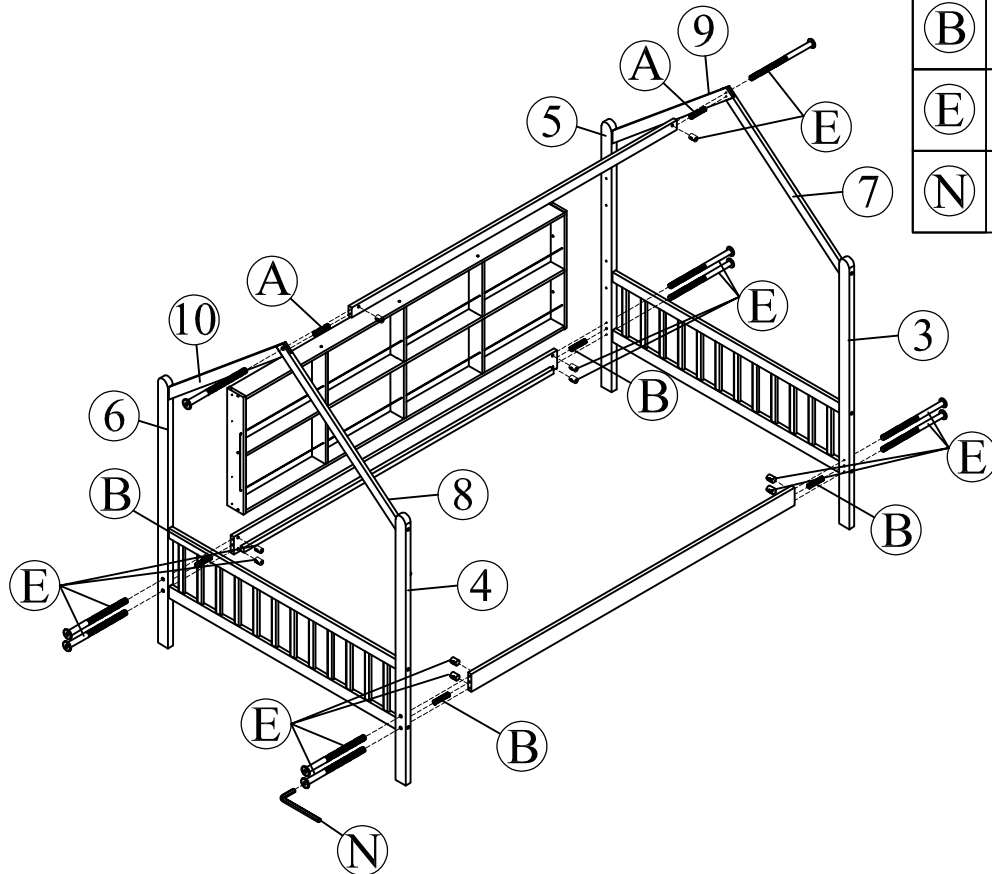
**STEP 7:**

(C)		12
(N)		01

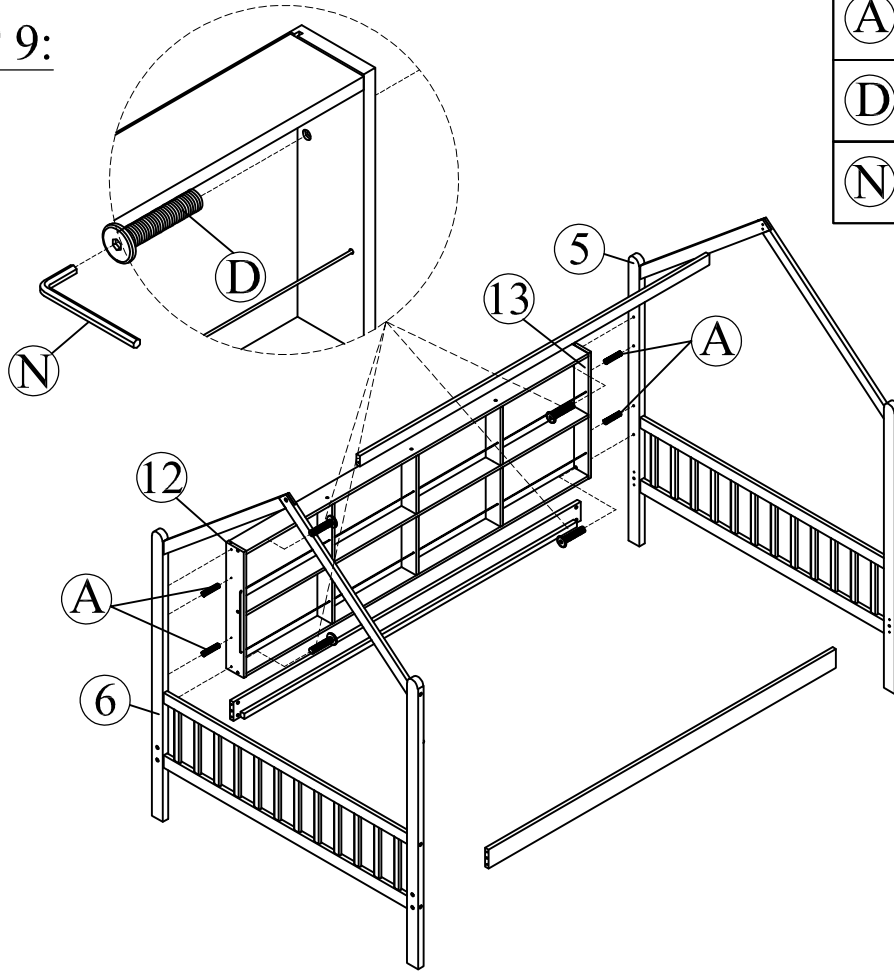





**STEP 8:**

(A)		02
(B)		04
(E)		10
(N)		01

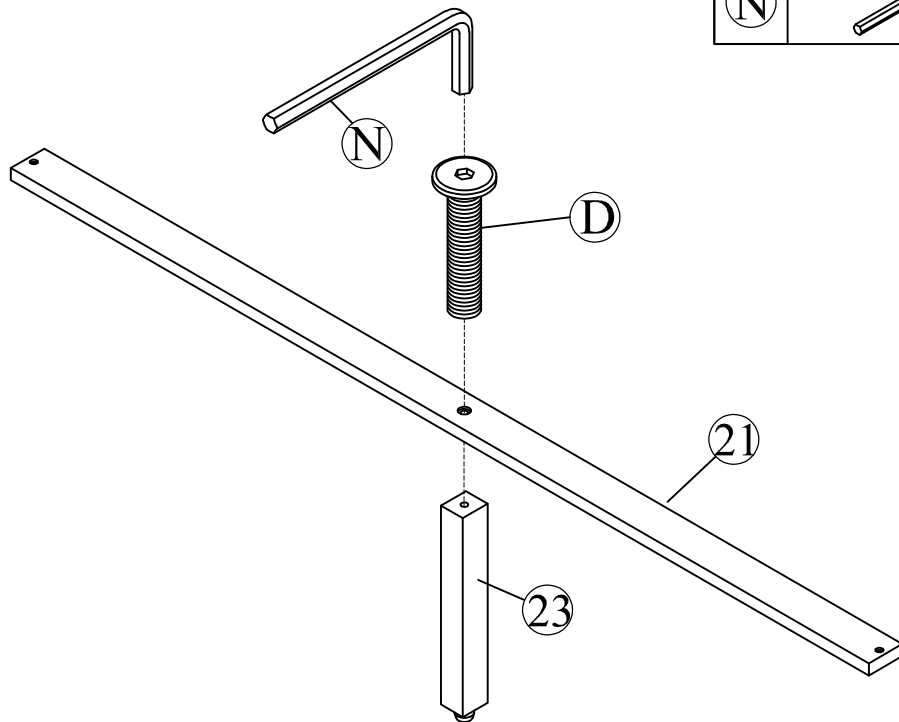




STEP 9:



(A)		04
(D)		04
(N)		01


STEP 10:

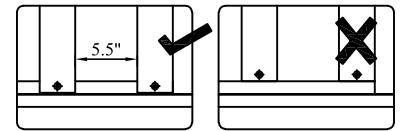
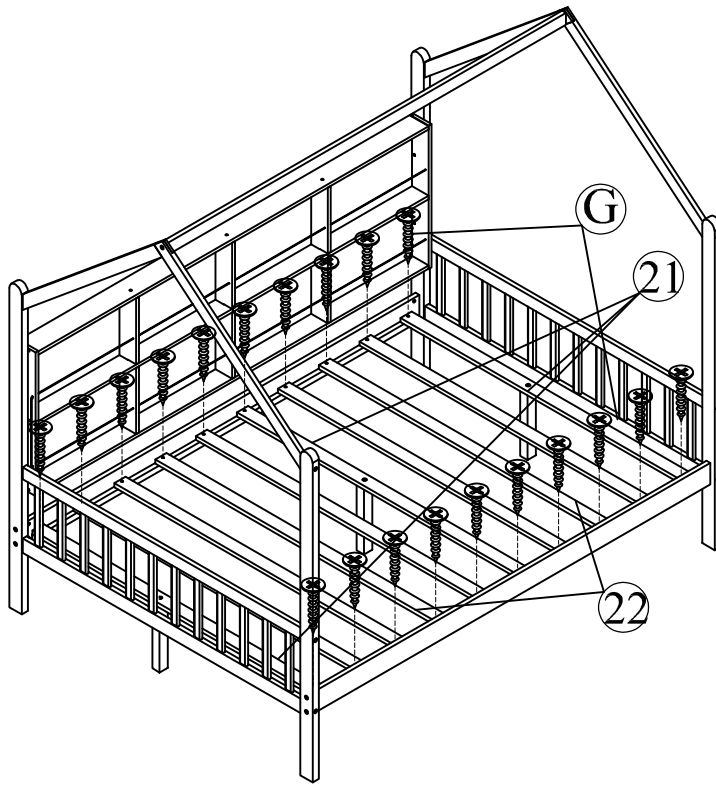


(D)		03
(N)		01


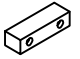
x3

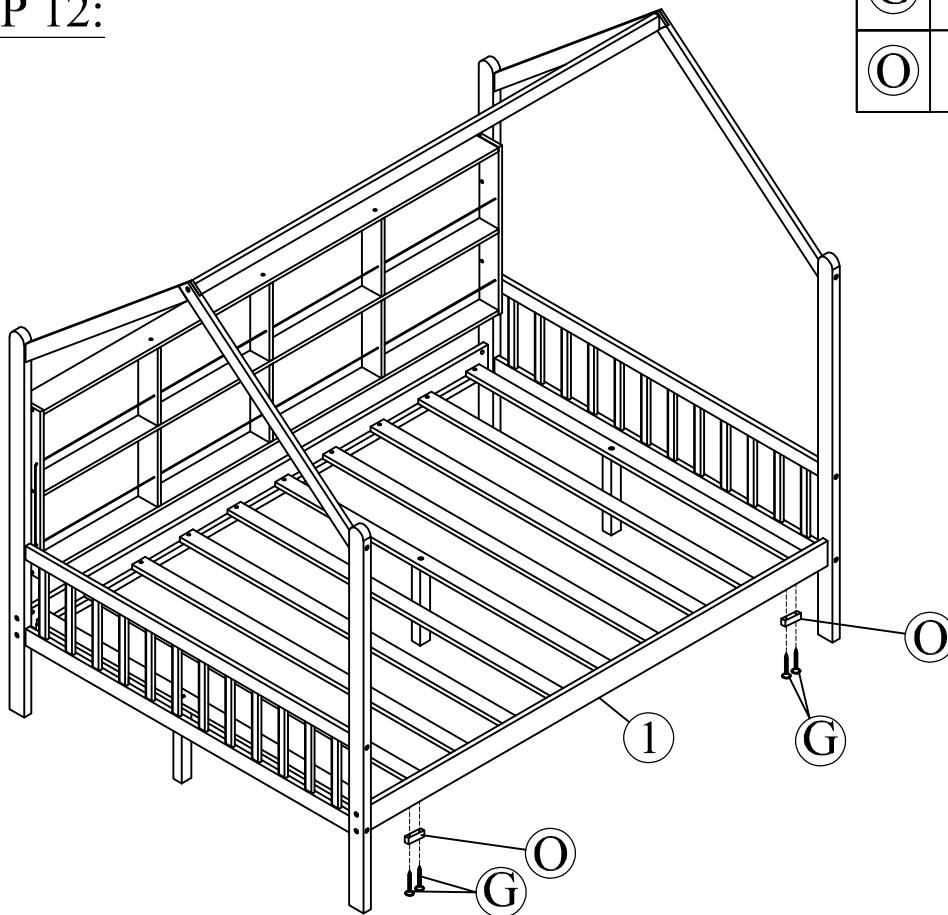
STEP 11:

G		20
---	---	----

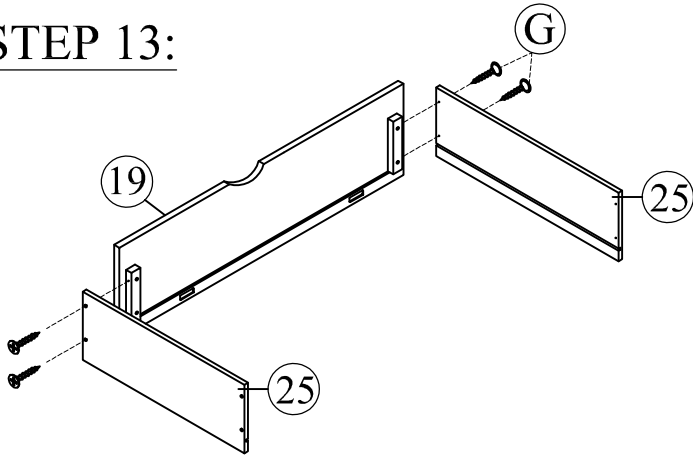



STEP 12:

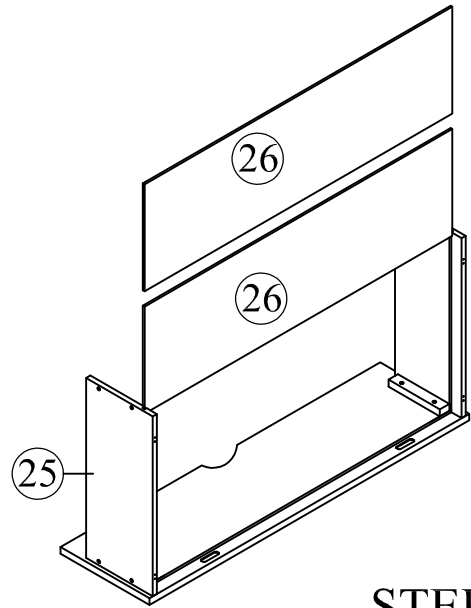
G		04
O		02



**STEP 13:**



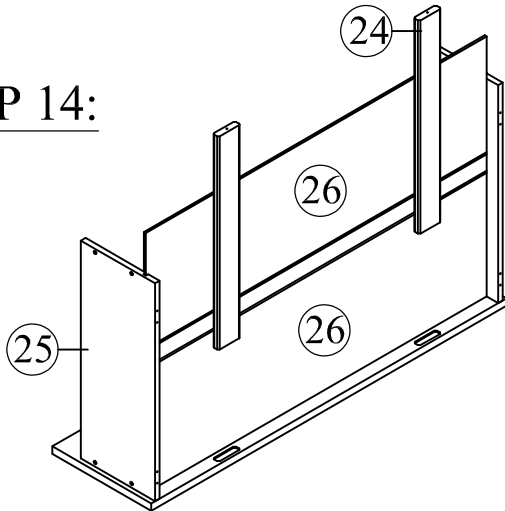
G		08
---	---	----



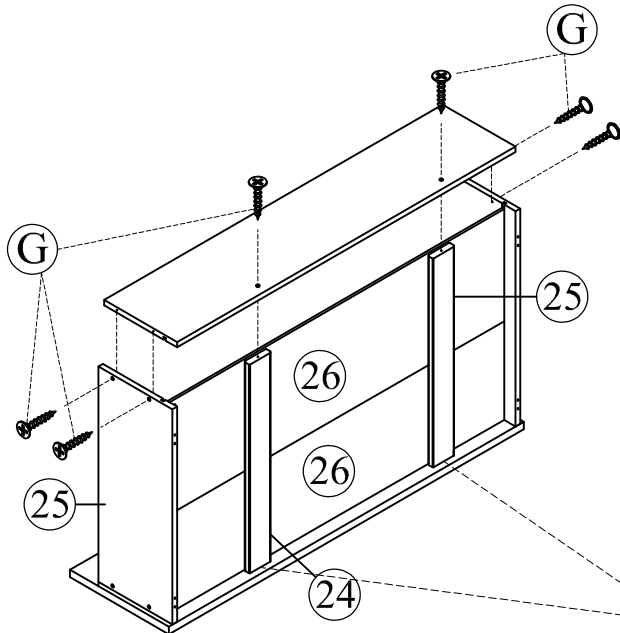
**STEP 15:**




**x2**

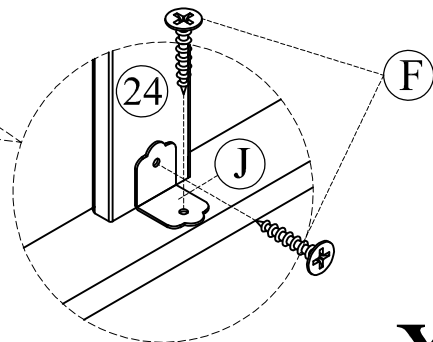
**STEP 14:**



**STEP 16:**

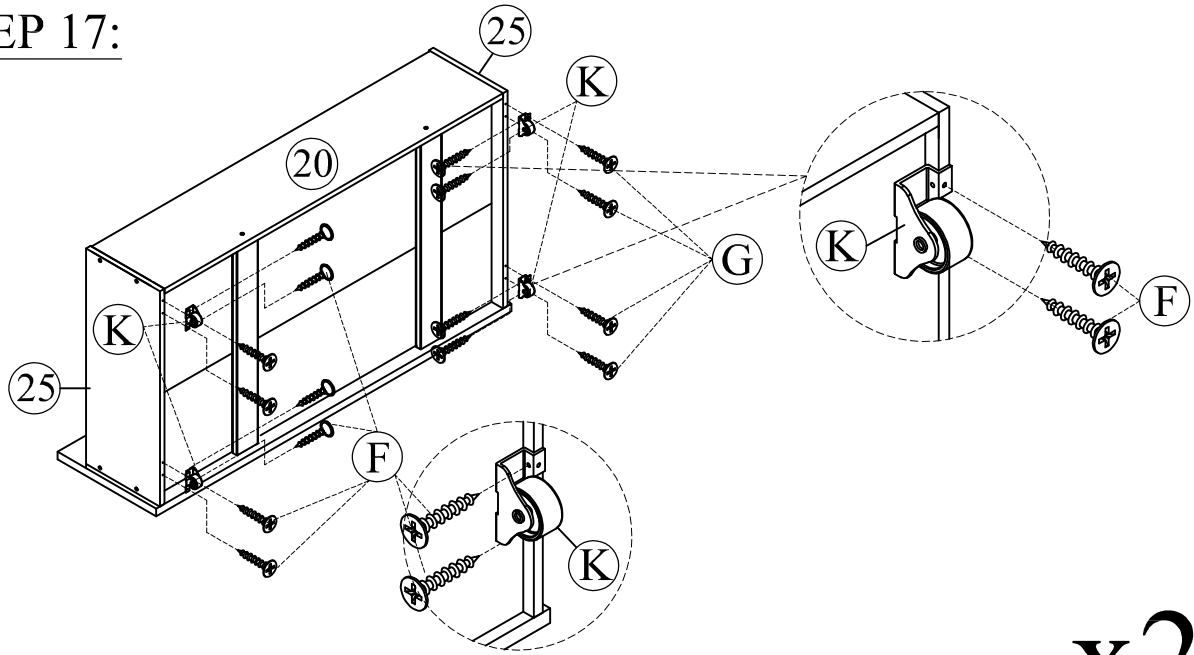


G		12
F		08
J		04

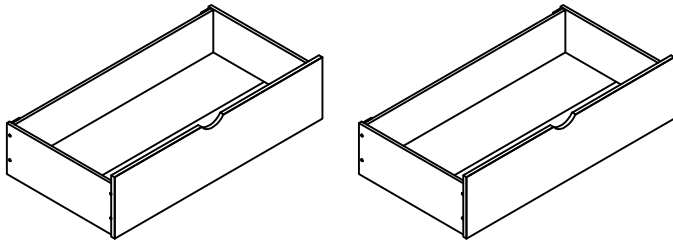




**x2**

STEP 17:



x2



(F)		32
(K)		08

FINAL:

