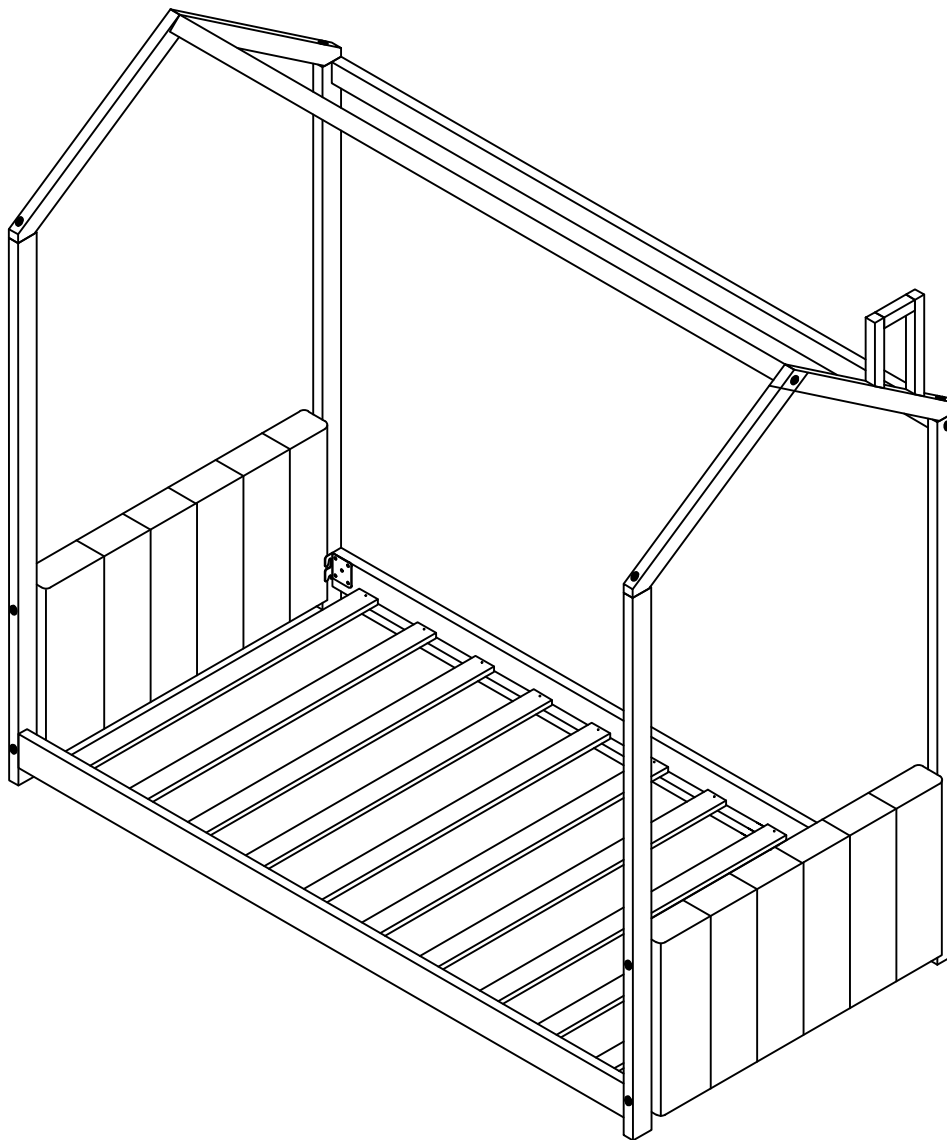


# ASSEMBLY INSTRUCTION

WF298833/WF298834



## IMPORTANT NOTE

**\*\*PLACE ALL PARTS ON A CLEAN AND SMOOTH SURFACE SUCH AS A RUG OR CARPET TO AVOID THE PARTS FROM BEING SCRATCHED**

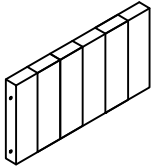


**\*\* BEFORE YOU BEGIN , KINDY FOLLOW THE ASSEMBLY INSTRUCTIONS STEP BY STEP**

**\*\*DO NOT TIGHTEN ALL SCREWS AND BOLTS UNTIL THE BED IS FULLY SET-UP**

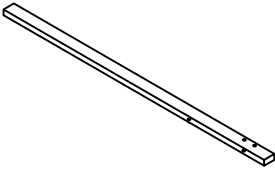
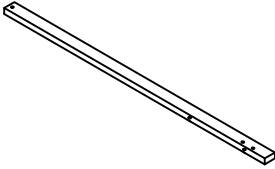
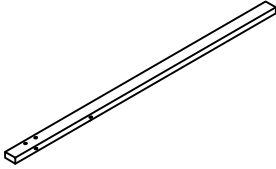
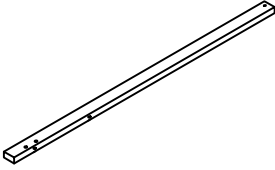
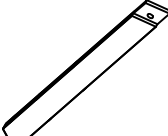
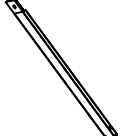
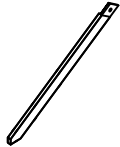
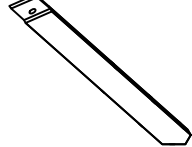
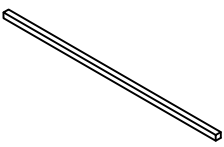
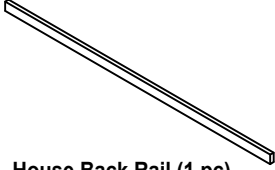
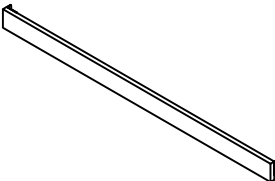
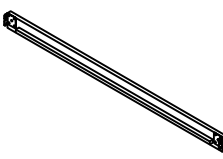
# ASSEMBLY INSTRUCTION

WF298833/WF298834

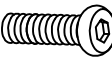
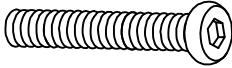
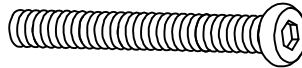
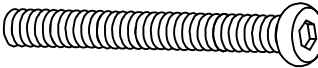
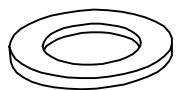
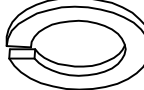

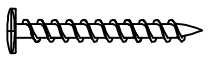
## PART LIST BOX 1: WF298833

<p>1</p>  <p>Headboard/Footboard (2 pcs)</p>	<p>2</p>  <p>U-Bar (1pc)</p>	<p>3</p>  <p>Slat Roll (10 pcs) 1365*60*15</p>
-------------------------------------------------------------------------------------------------------------------------------	---------------------------------------------------------------------------------------------------------------	---------------------------------------------------------------------------------------------------------------------------------------

## PART LIST BOX 2: WF298834

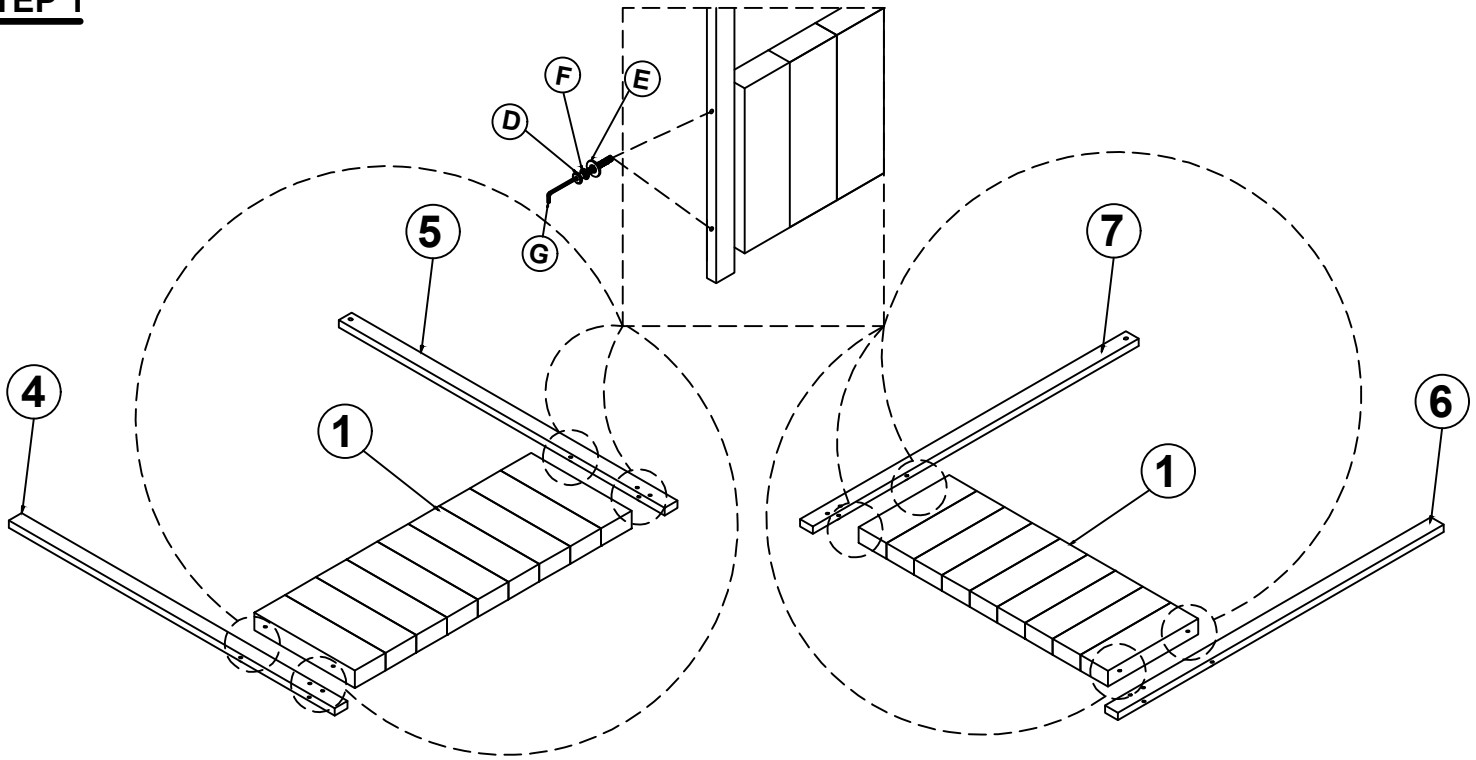
<p>4</p>  <p>Headboard Front Post (1 pc)</p>	<p>5</p>  <p>Headboard Back Post (1 pc)</p>	<p>6</p>  <p>Footboard Front Post (1 pc)</p>
<p>7</p>  <p>Footboard Back Post (1 pc)</p>	<p>8</p>  <p>House Front Left Rail(1 pc)</p>	<p>9</p>  <p>House Front Right Rail (1 pc)</p>
<p>10</p>  <p>House Back Left Rail (1 pc)</p>	<p>11</p>  <p>House Back Right Rail (1 pc)</p>	<p>12</p>  <p>House Middle Rail(1 pc)</p>
<p>13</p>  <p>House Back Rail (1 pc)</p>	<p>14</p>  <p>Front Side Rail (1 pc)</p>	<p>15</p>  <p>Back Side Rail (1 pc)</p>





## HARDWARE LIST IN WF298834

<p>A</p>  <p>Short Bolt (8pcs) (Ø 5/16 "X 25mm)</p>	<p>B</p>  <p>Long Bolt (8pcs) (Ø 5/16 "X 60mm)</p>	<p>C</p>  <p>Long Bolt (2pcs) (Ø 5/16 "X 80mm)</p>
<p>D</p>  <p>Long Bolt (8pcs) (Ø 5/16 "X 90mm)</p>	<p>E</p>  <p>Flat Washer (26pcs) (Ø 5/16 "-RBW)</p>	<p>F</p>  <p>Spring Washer (26pcs) (Ø 5/16 "-RBW)</p>
<p>G</p>  <p>Allen Wrench (1pc) (M4x75mmx32mm)</p>	<p>H</p>  <p>Flat Head Screw (20pcs) (M4x30mm-RBW)</p>	

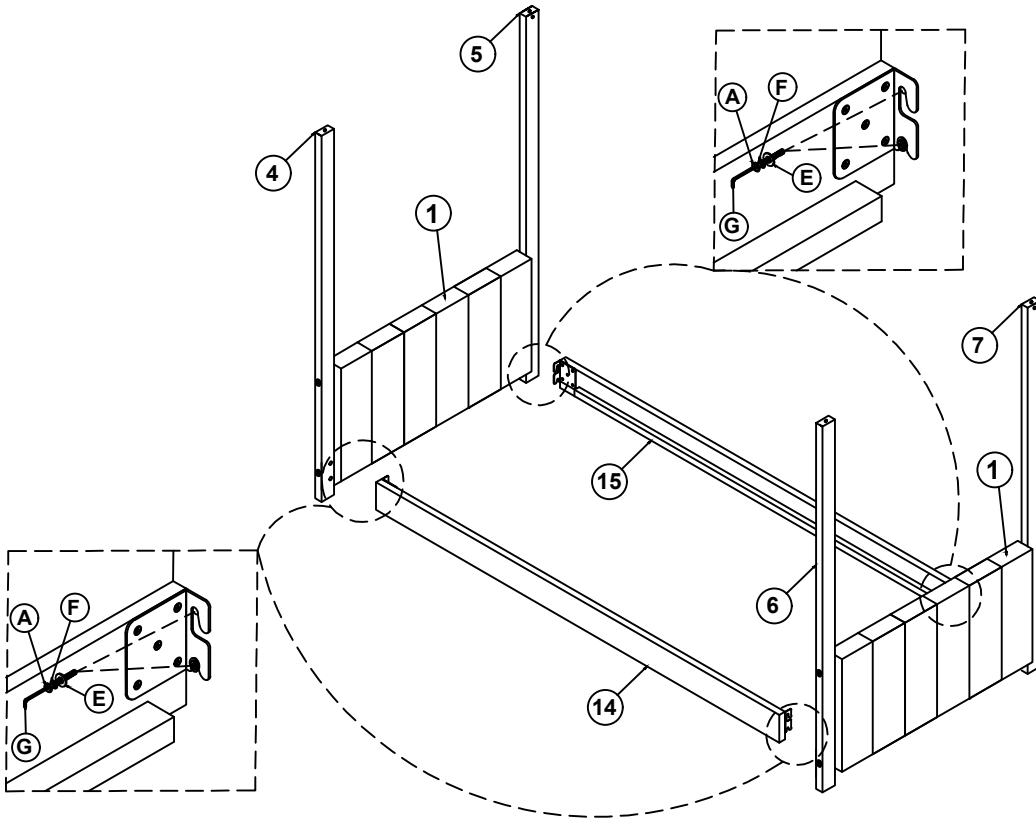
# ASSEMBLY INSTRUCTION





## STEP 1



D	<b>Bolt</b> (Ø 5/16 "X90mm)		8pcs	E	<b>Flat Washer</b> (Ø 5/16 "-RBW)		8pcs
F	<b>Spring Washer</b> (Ø 5/16 "-RBW)		8pcs	G	<b>Allen Wrench</b> (M4x75mm x32mm)		1pc

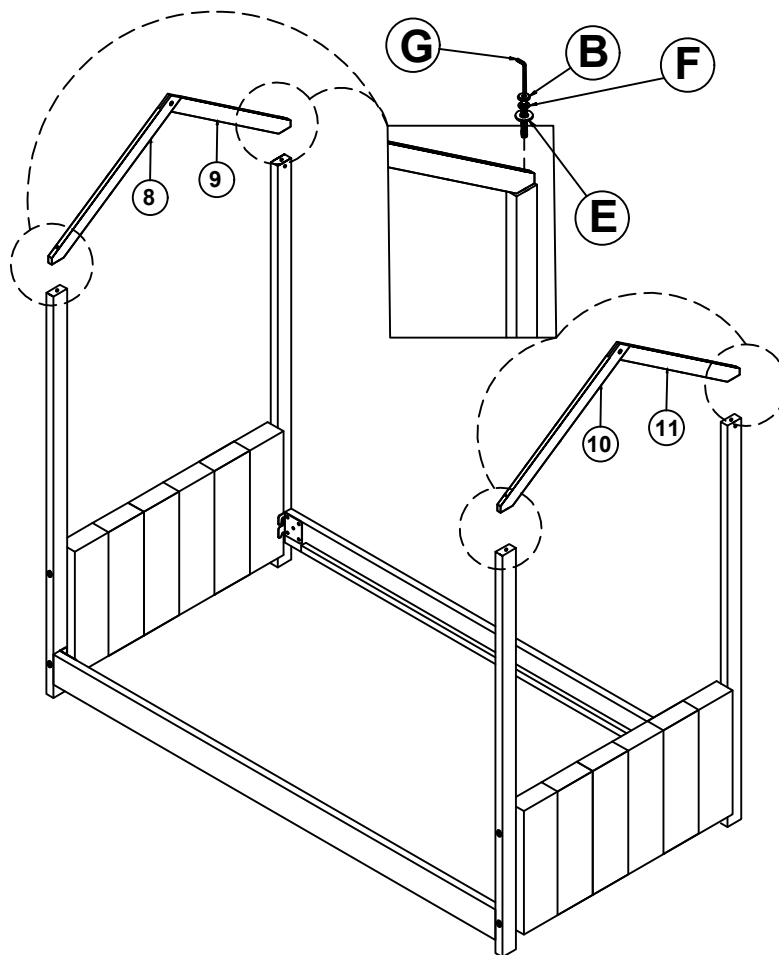
## STEP 2







A	<b>Bolt</b> (Ø 5/16 "X25mm)		8pcs	E	<b>Flat Washer</b> (Ø 5/16 "-RBW)		8pcs
F	<b>Spring Washer</b> (Ø 5/16 "-RBW)		8pcs	G	<b>Allen Wrench</b> (M4x75mm x32mm)		1pc

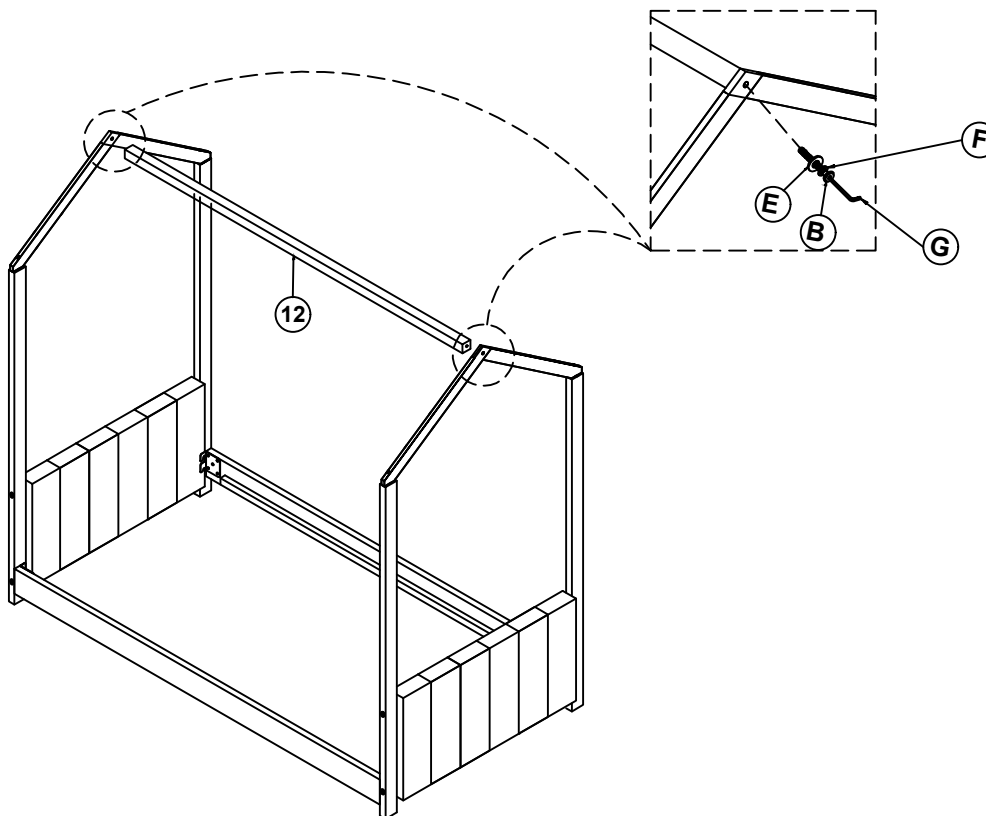
# ASSEMBLY INSTRUCTION





## STEP 3



B	<b>Bolt</b> (Ø 5/16 "X60mm)		4pcs
E	<b>Flat Washer</b> (Ø 5/16 "-RBW)		4pcs
F	<b>Spring Washer</b> (Ø 5/16 "-RBW)		4pcs
G	<b>Allen Wrench</b> (M4x75mm x32mm)		1pc

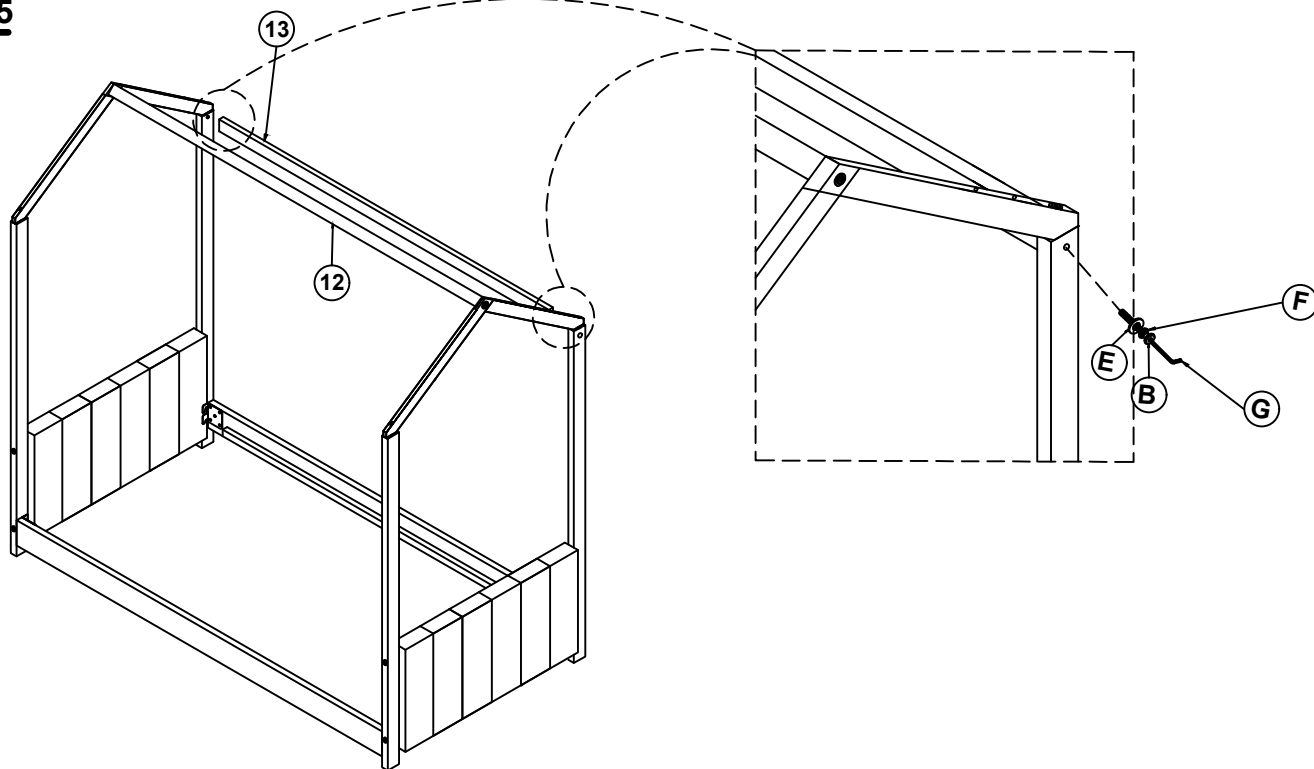
## STEP 4







B	<b>Bolt</b> (Ø 5/16 "X60mm)		2pcs	E	<b>Flat Washer</b> (Ø 5/16 "-RBW)		2pcs
F	<b>Spring Washer</b> (Ø 5/16 "-RBW)		2pcs	G	<b>Allen Wrench</b> (M4x75mm x32mm)		1pc

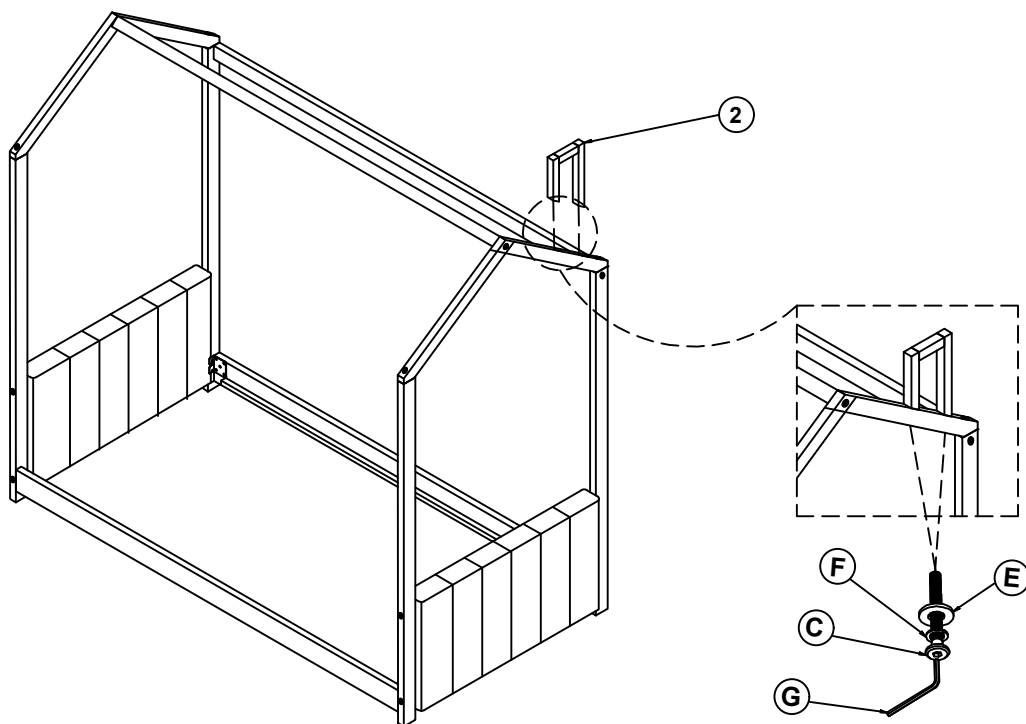
# ASSEMBLY INSTRUCTION





## STEP 5



<b>B</b>	<b>Bolt</b> (Ø 5/16 "X60mm)		<b>2pcs</b>	<b>E</b>	<b>Flat Washer</b> (Ø 5/16 "-RBW)		<b>2pcs</b>
<b>F</b>	<b>Spring Washer</b> (Ø 5/16 "-RBW)		<b>2pcs</b>	<b>G</b>	<b>Allen Wrench</b> (M4x75mm x32mm)		<b>1pc</b>

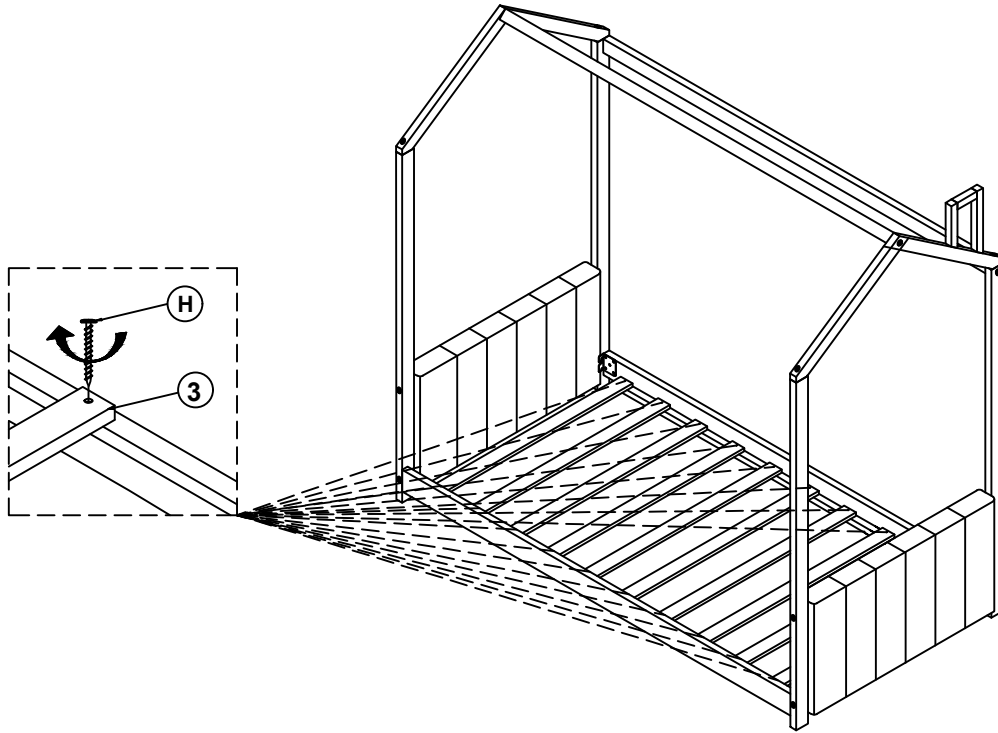
## STEP 6

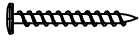


<b>C</b>	<b>Bolt</b> (Ø 5/16 "X80mm)		<b>2pcs</b>	<b>E</b>	<b>Flat Washer</b> (Ø 5/16 "-RBW)		<b>2pcs</b>
<b>F</b>	<b>Spring Washer</b> (Ø 5/16 "-RBW)		<b>2pcs</b>	<b>G</b>	<b>Allen Wrench</b> (M4x75mm x32mm)		<b>1pc</b>

# ASSEMBLY INSTRUCTION

## STEP 7



H	Flat Head Screw (m4x30mm-RBW)		20pcs
---	----------------------------------	-------------------------------------------------------------------------------------	-------

## STEP 8 COMPLETE

