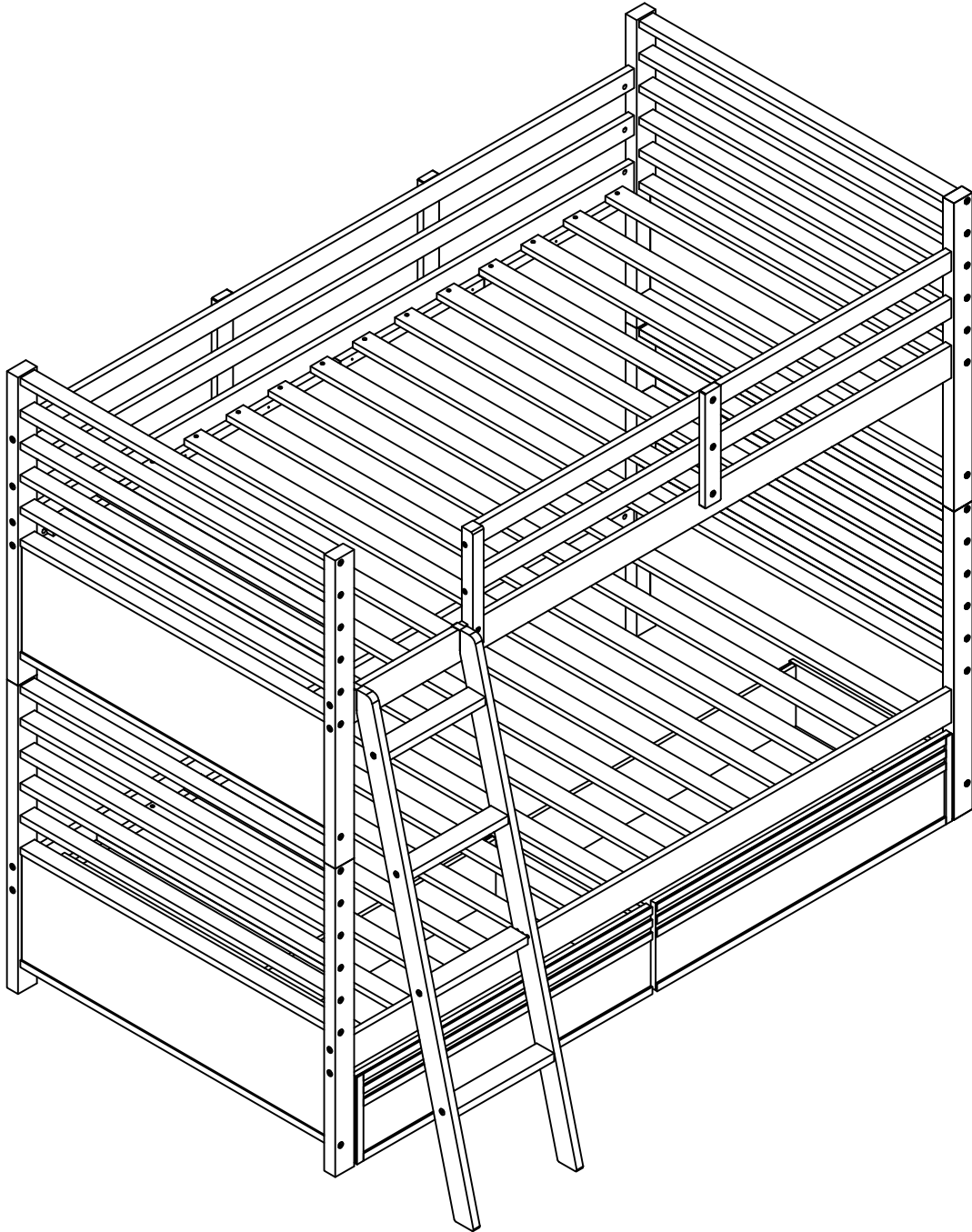


ASSEMBLY INSTRUCTION

SKU CODE: WF293021/WF293022





SAFETY WARNINGS



1. This bed is designed for use only mattress(es) meeting the following specifications on the upper bunk:
Upper bunk (bunk bed and tribed included)

Upper bed

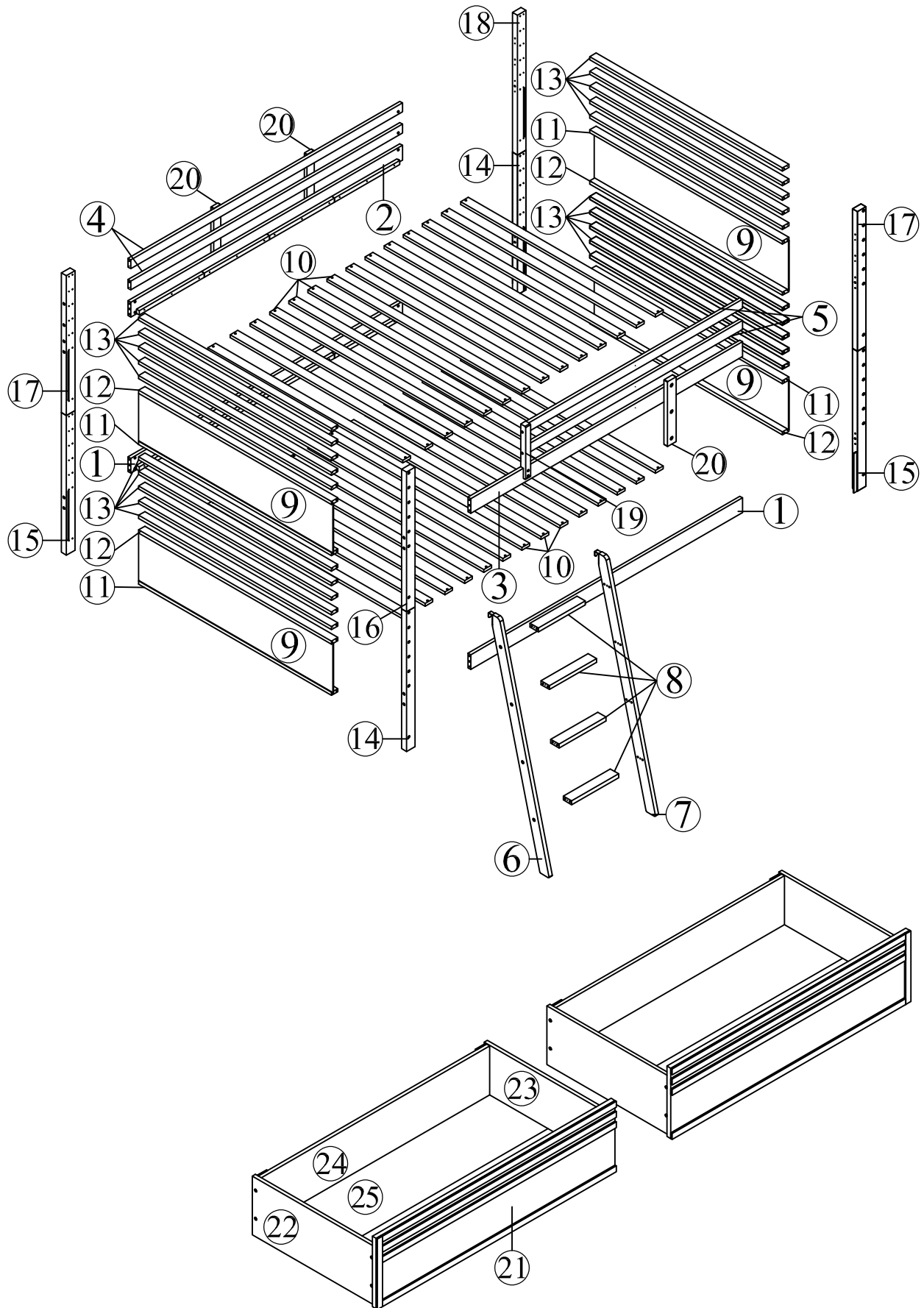
Bed Type	Length	Width	Thickness
<i>Twin Standard</i>	74"-75"	37 ½"-38 ½"	6" max

Lower bed

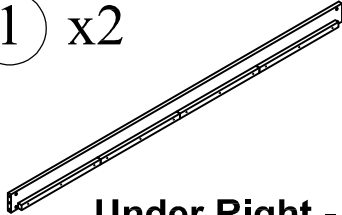
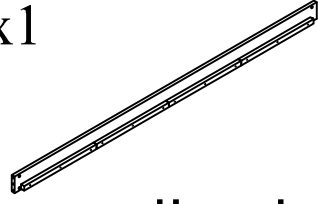
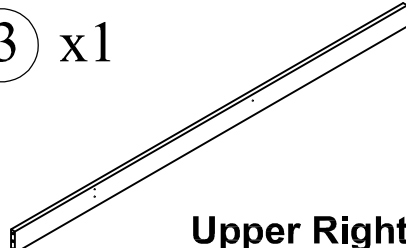
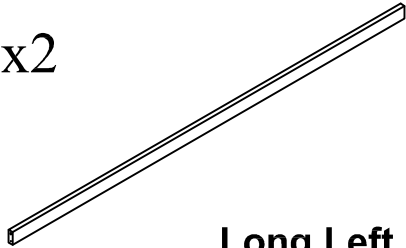
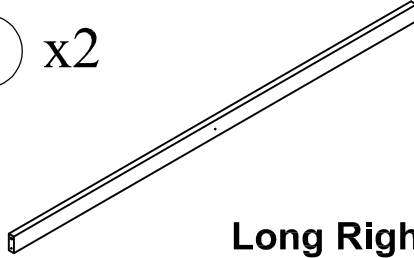
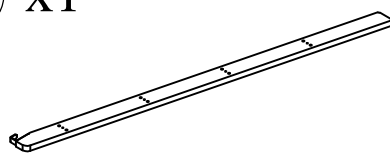
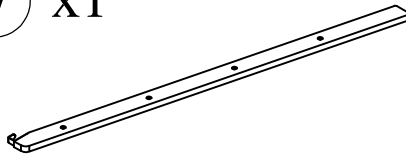
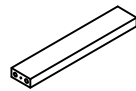
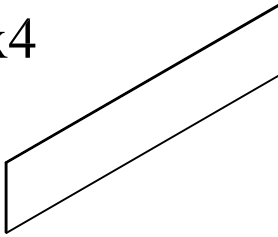
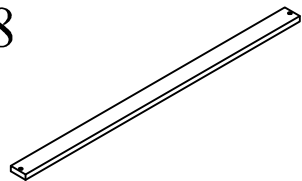
Bed Type	Length	Width	Thickness
<i>Twin Standard</i>	74"-75"	37 ½"-38 ½"	8"

2. Replacement parts, including additional guardrails, maybe obtained from any of our (GIGACLOUD TECHNOLOGY (USA) INC. 18961 ARENTH AVENUE CITY OF INDUSTRY, CA, 91748) dealers.
3. Follow the information on the warnings appearing on the upper bunk bed end structure and on the carton. Do not remove warning label from bed.
4. Always use the recommended size mattresses or mattress supports, or both, to help prevent the likelihood of entrapment or falls.
5. Surface of the mattress must be at least 5" . (127 mm) below the upper edge of guardrails.
6. Do not allow children under 6 years of age to use the upper bunk.
7. Periodically check and ensure that the guardrail, ladder, and other components are in their proper position, free from damage, and that all connectors are tight.
8. Do not allow horseplay on or under the bed and prohibit jumping on the bed
9. Always use the ladder for entering and leaving the upper bunk.
10. Do not use substitute parts. Contact the manufacturer or dealer for replacement parts.
11. Use of a night light may provided added safety precaution for a child using the upper bunk.
12. Always use guardrails on both long sides of the upper bunk. If the bunk bed will be placed next to the wall, the guardrail that runs the full length of the bed should be placed against the wall to prevent entrapment between the bed and wall.
13. The use of water or sleep flotation mattresses is prohibited.
14. STRANGULATION HAZARD – Never attach or hang items to any part of the bunk bed that are not designed for use with the bed; for example, but not limited to, hook, belts and jump ropes.
15. Keep these instructions for future reference
16. Prohibit more than one person on upper bunk.
17. We recommend assembling your bunk bed on the shipping carton to protect your floor or carpet.
18. Be certain all staples are out of the box before beginning assembly on the shipping carton.

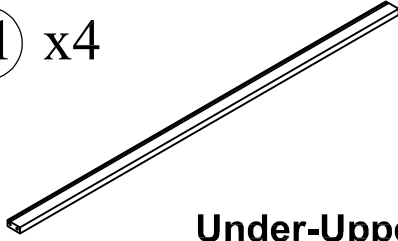
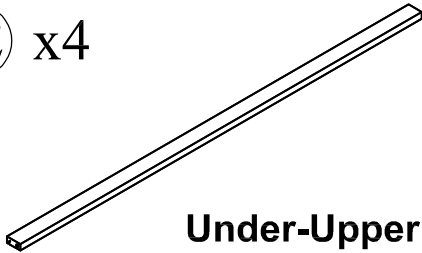
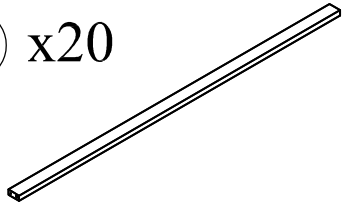

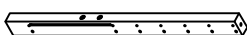
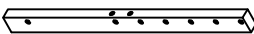
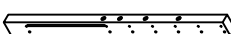
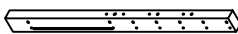


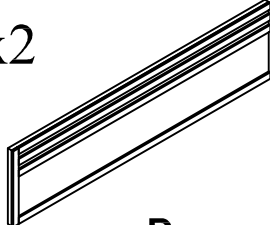
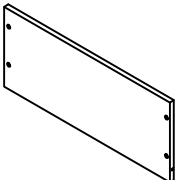
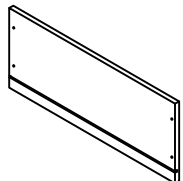
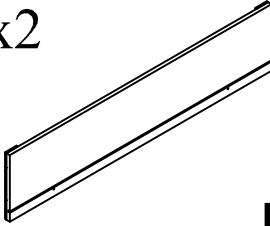
Detail view



Part List (WF293022)

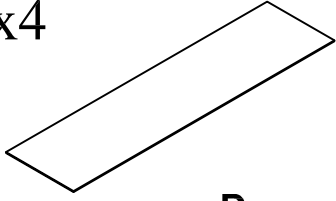
<p>① x2</p>  <p>Under Right - Left Side Rails</p>	<p>② x1</p>  <p>Upper Left Side Rail</p>
<p>③ x1</p>  <p>Upper Right Side Rail</p>	<p>④ x2</p>  <p>Long Left Guards</p>
<p>⑤ x2</p>  <p>Long Right Guards</p>	<p>⑥ x1</p>  <p>Left Ladder Post</p>
<p>⑦ x1</p>  <p>Right Ladder Post</p>	<p>⑧ x4</p>  <p>Ladder Posts</p>
<p>⑨ x4</p>  <p>Panels</p>	<p>⑩ x28</p>  <p>Slats</p>

Part List (WF293021)

<p>①① x4</p>  <p style="text-align: center;">Under-Upper Guards</p>	<p>①② x4</p>  <p style="text-align: center;">Under-Upper Guards</p>
<p>①③ x20</p>  <p style="text-align: center;">Under-Upper Guards</p>	<p>①④ x2</p>  <p style="text-align: center;">1.Headboard Under Right Leg 1.Footboard Under Left Leg</p>
<p>①⑤ x2</p>  <p style="text-align: center;">1.Headboard Under Left Leg 1.Footboard Under Right Leg</p>	<p>①⑥ x1</p>  <p style="text-align: center;">Headboard Upper Right Leg</p>
<p>①⑦ x2</p>  <p style="text-align: center;">1.Headboard Upper Left Leg 1.Footboard Upper Right Leg</p>	<p>①⑧ x1</p>  <p style="text-align: center;">Footboard Upper Right Leg</p>
<p>①⑨ x1</p>  <p style="text-align: center;">Vertical Right Guard</p>	<p>②⑦ x3</p>  <p style="text-align: center;">Vertical Left Guards</p>
<p>②① x2</p>  <p style="text-align: center;">Drawer Short Fronts</p>	<p>②② x2</p>  <p style="text-align: center;">Left Drawer Short Fronts</p>
<p>②③ x2</p>  <p style="text-align: center;">Right Drawer Short Fronts</p>	<p>②④ x2</p>  <p style="text-align: center;">Drawer Backs</p>

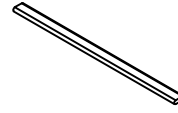
Part List (WF293021)

25 x4




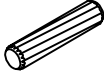











Drawer Bottoms

26 x4

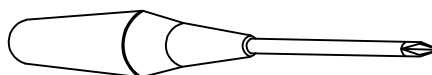


Drawer Side Supports




Hardware List (WF293021)

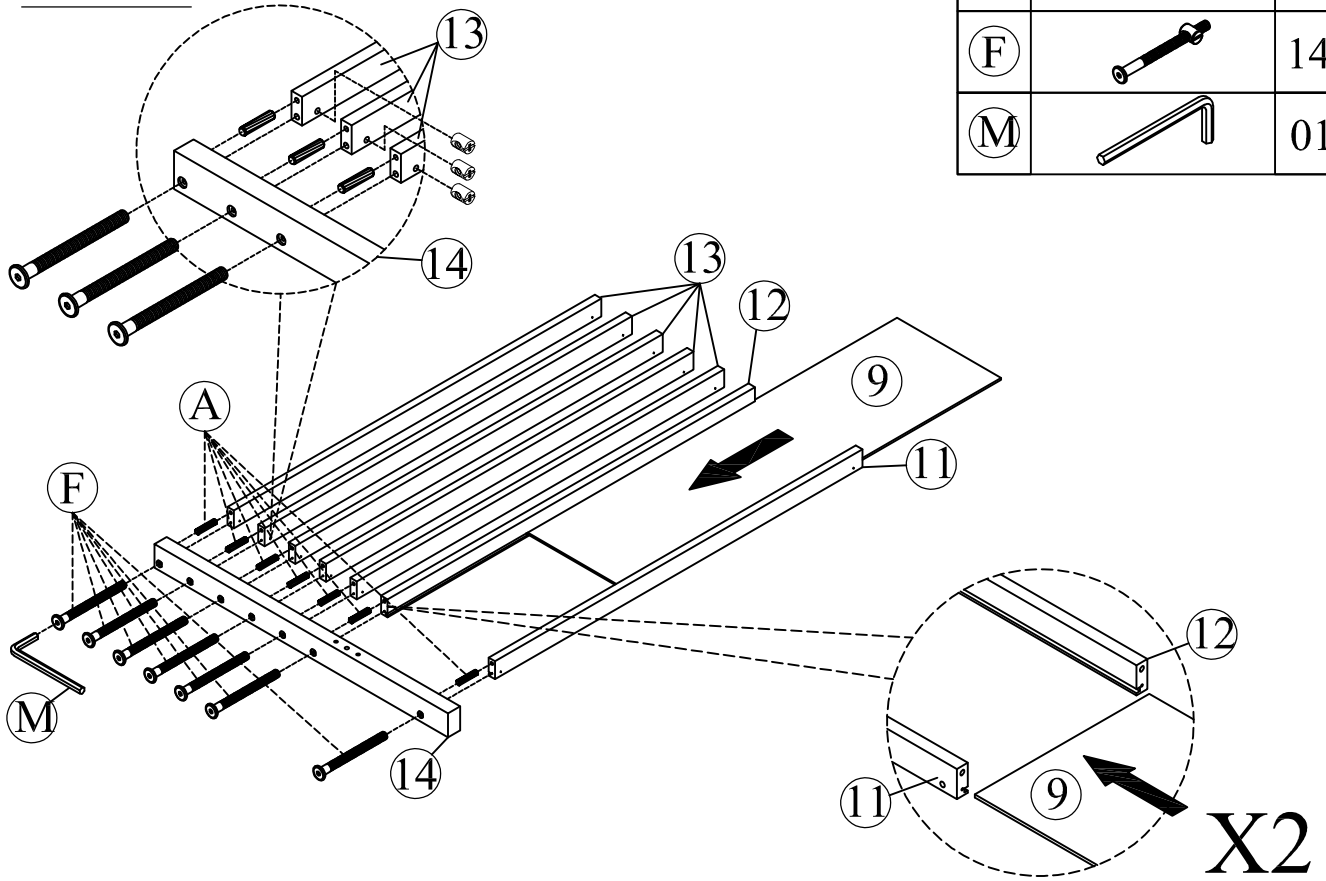
No.	OUTLOOK	DESC	QTY
(A)		Dowel Ø8*30mm	64
(B)		Dowel Ø10*40mm	24
(C)		Dowel Ø12*100mm	04
(D)		Screws Ø6.5*30mm	09
(F)		Bolts 1/4"*60mm	58
(H)		Screws #8*25mm	80
(I)		Screws #6*12mm	34
(J)		Wheels	08
(K)			02
(L)		Bolts 1/4"*100mm	22
(M)		Allen key 60*22*4mm	01
(N)		Bolts 1/4"*25mm	02
(P)		Screws Ø6.5*50mm	08

ASSEMBLY TOOLS REQUIRED (NOT INCLUDED)






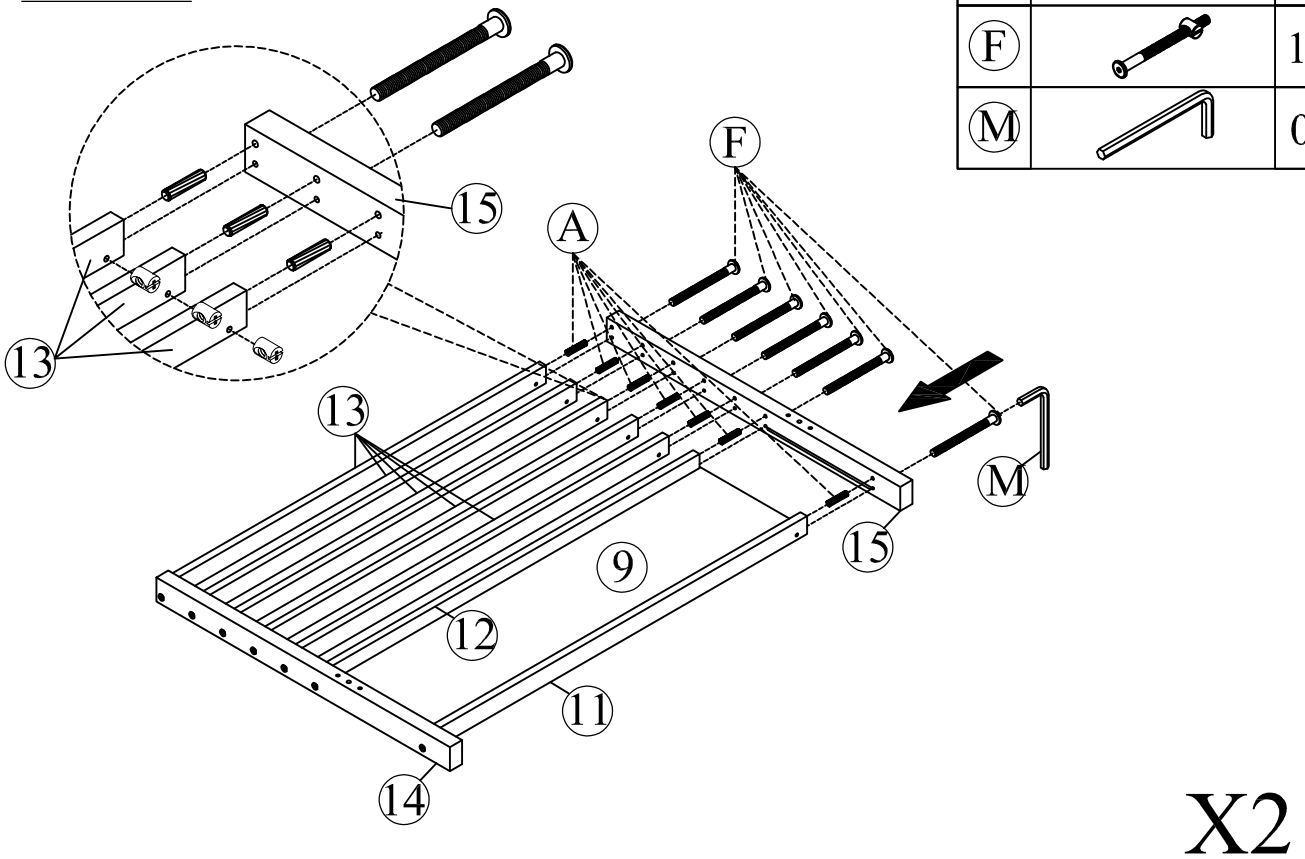
STEP 1:

(A)		14
(F)		14
(M)		01

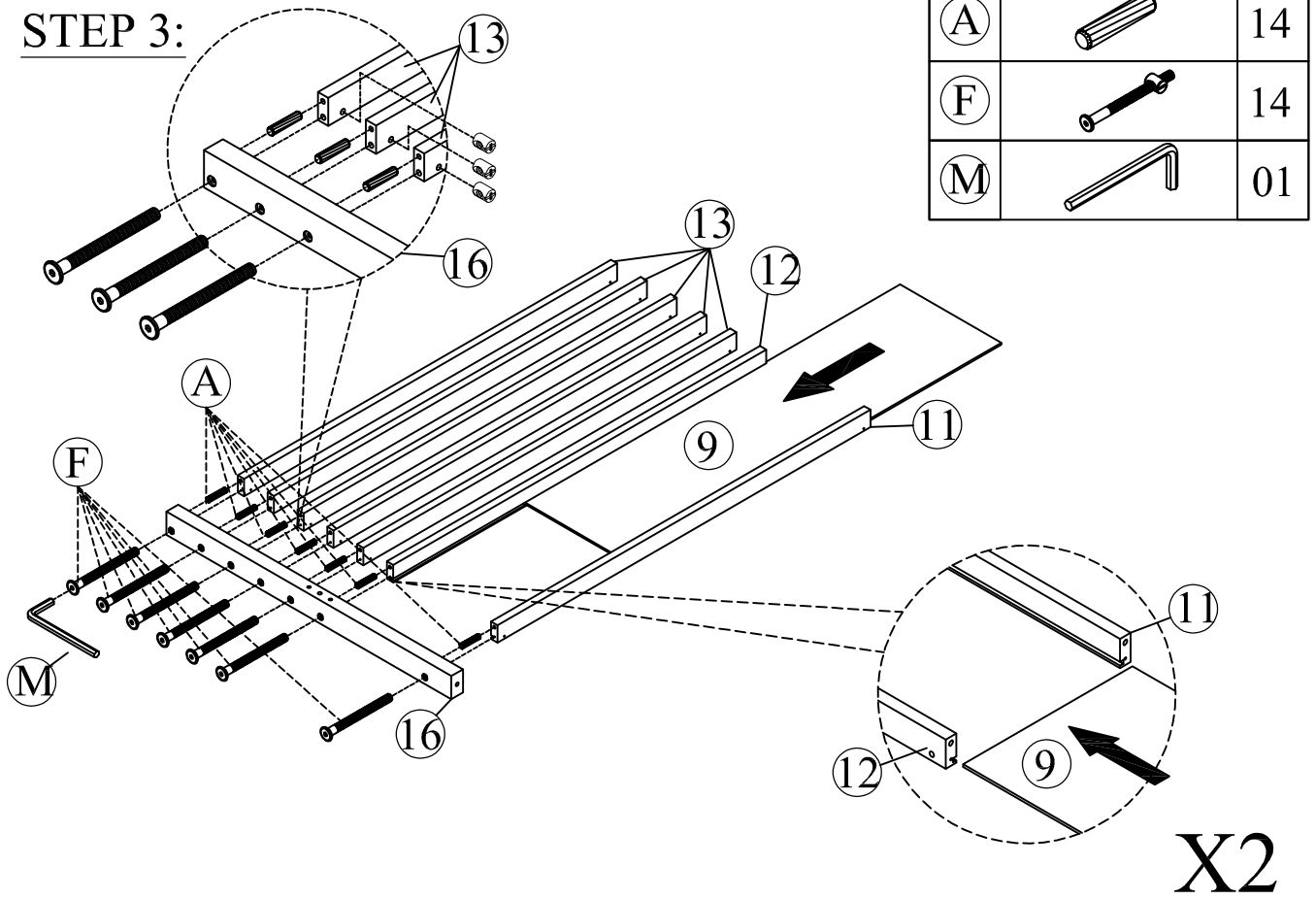


STEP 2:

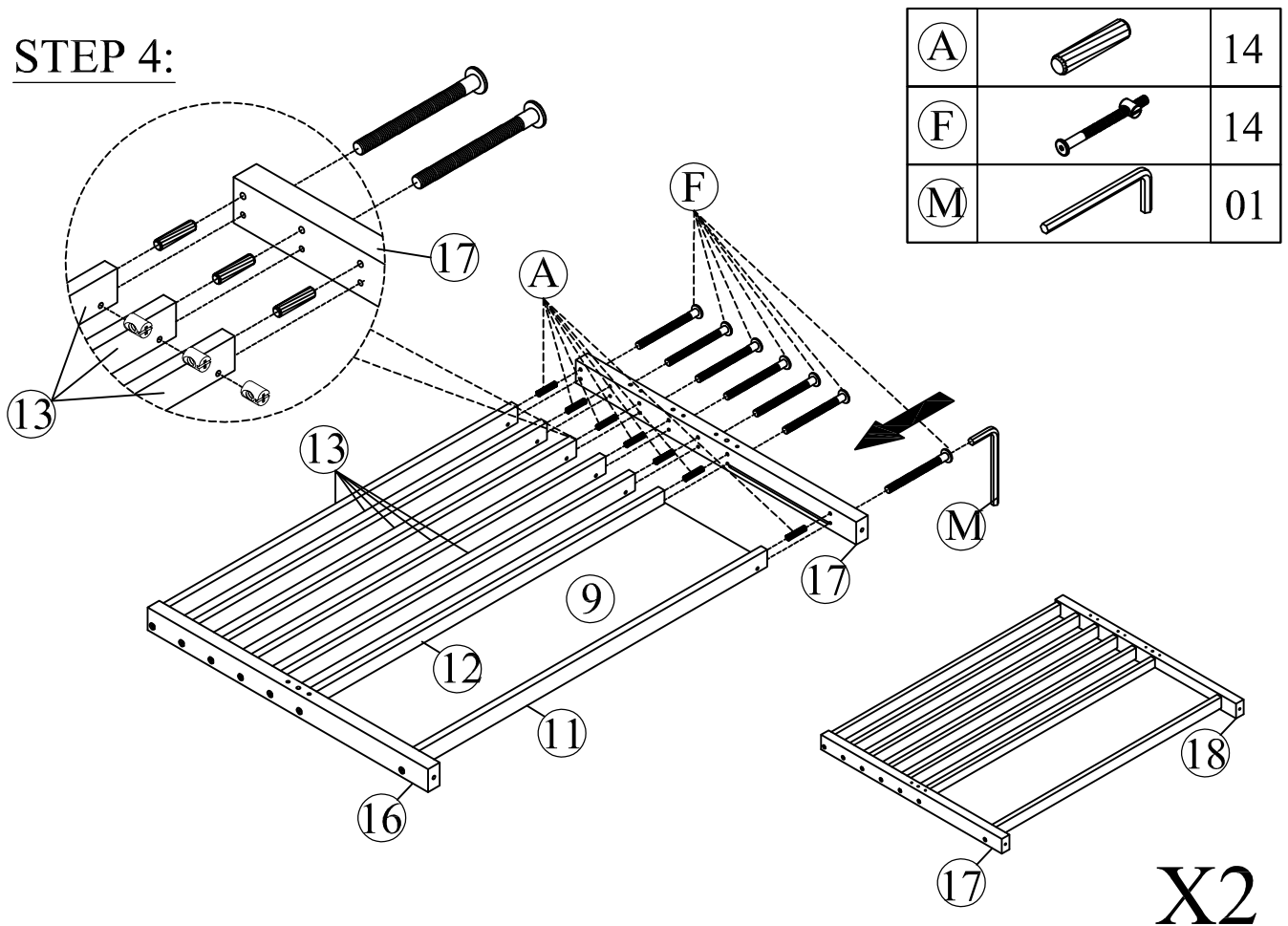
(A)		14
(F)		14
(M)		01






STEP 3:

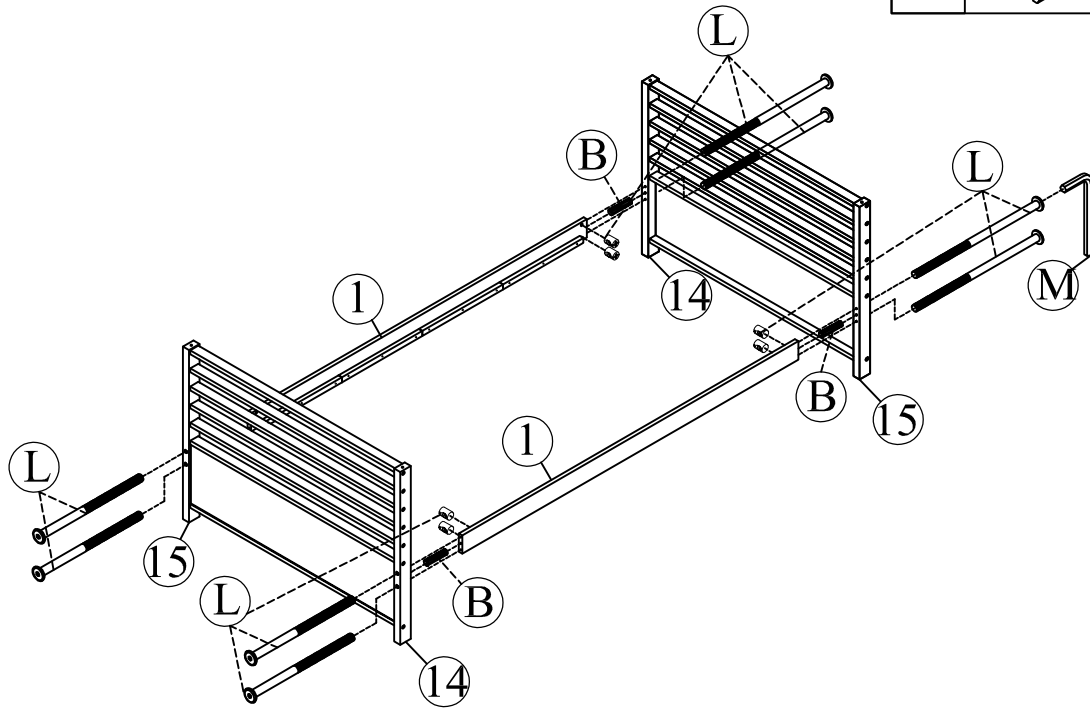


STEP 4:

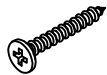


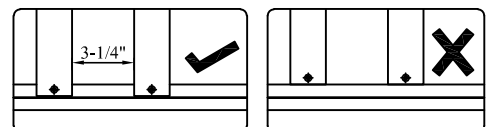
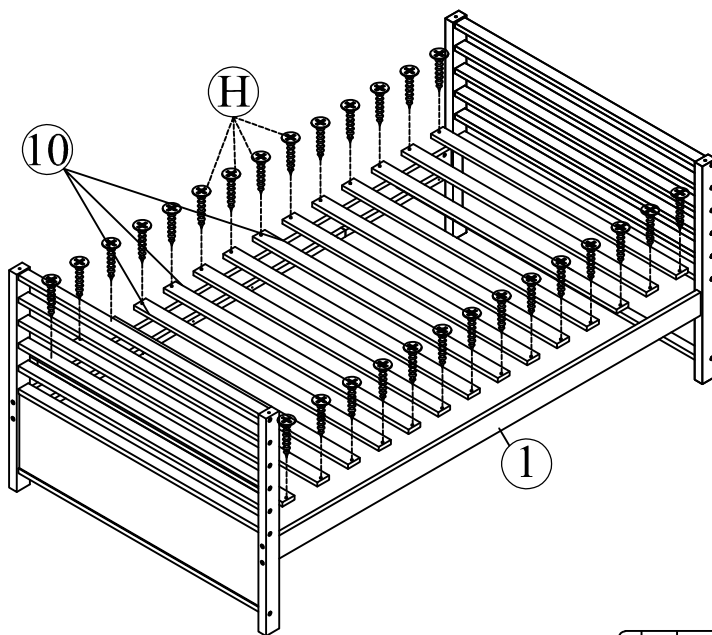
STEP 5:

(B)		04
(L)		08
(M)		01

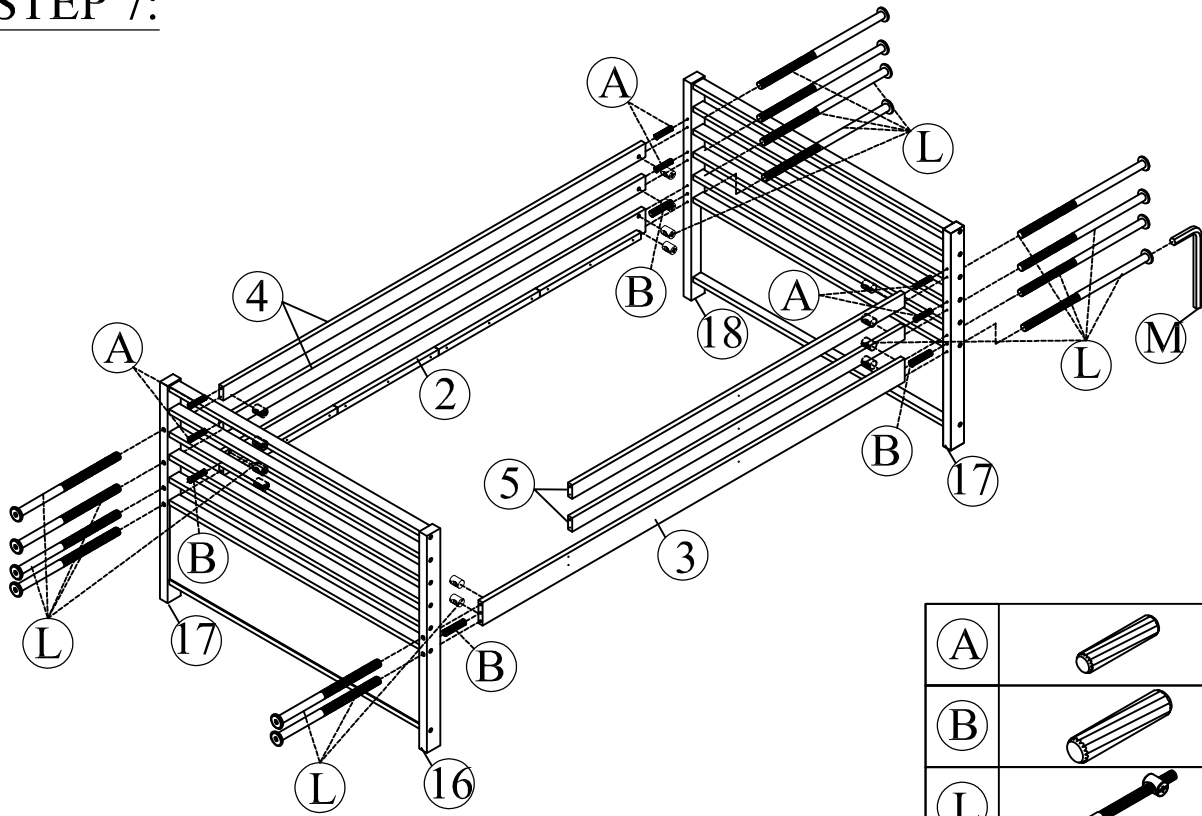


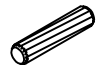
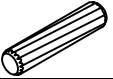


STEP 6:

(H)		28
-----	---	----

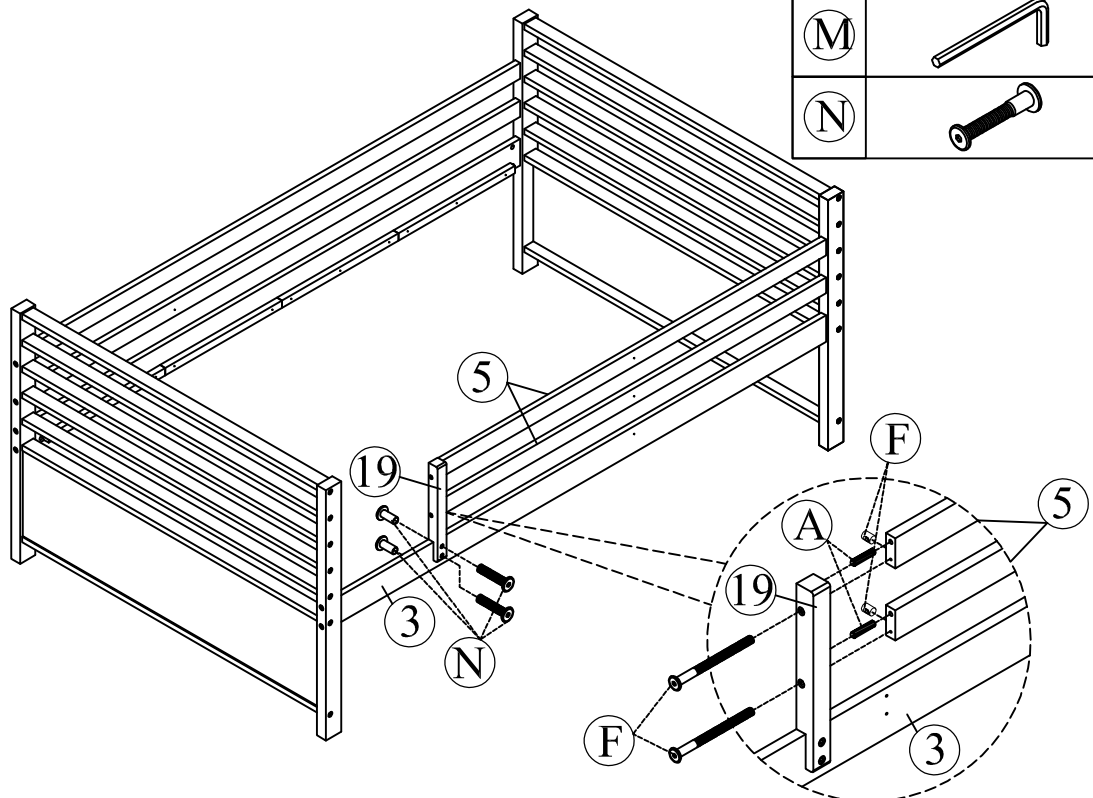


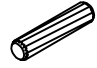



STEP 7:





(A)		06
(B)		04
(L)		14
(M)		01

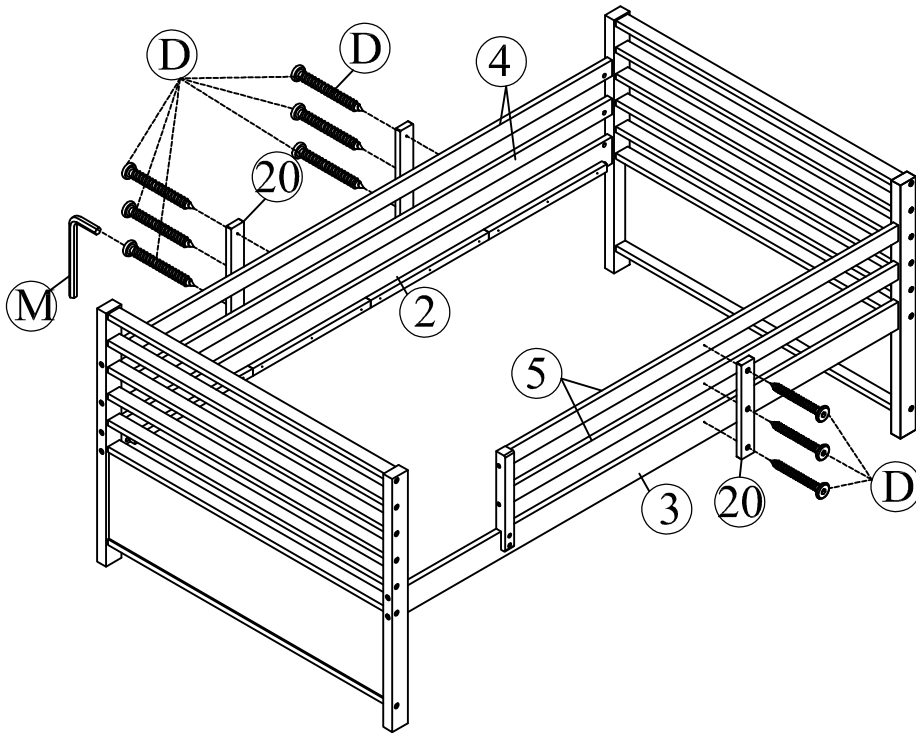
STEP 8:




(A)		02
(F)		02
(M)		01
(N)		02

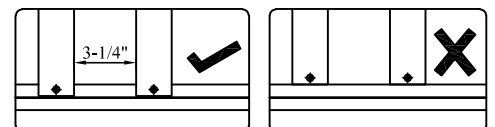
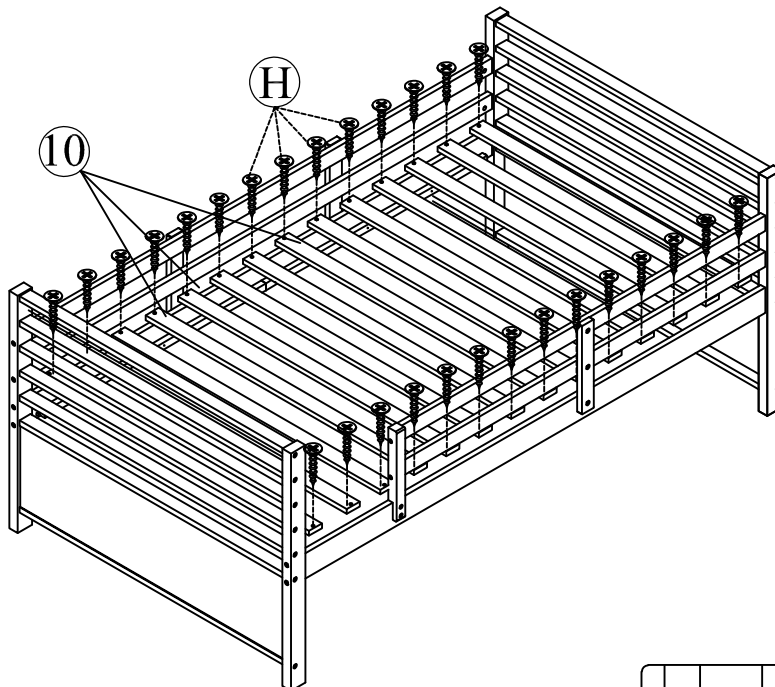
STEP 9:

(D)		09
(M)		01




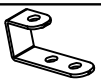



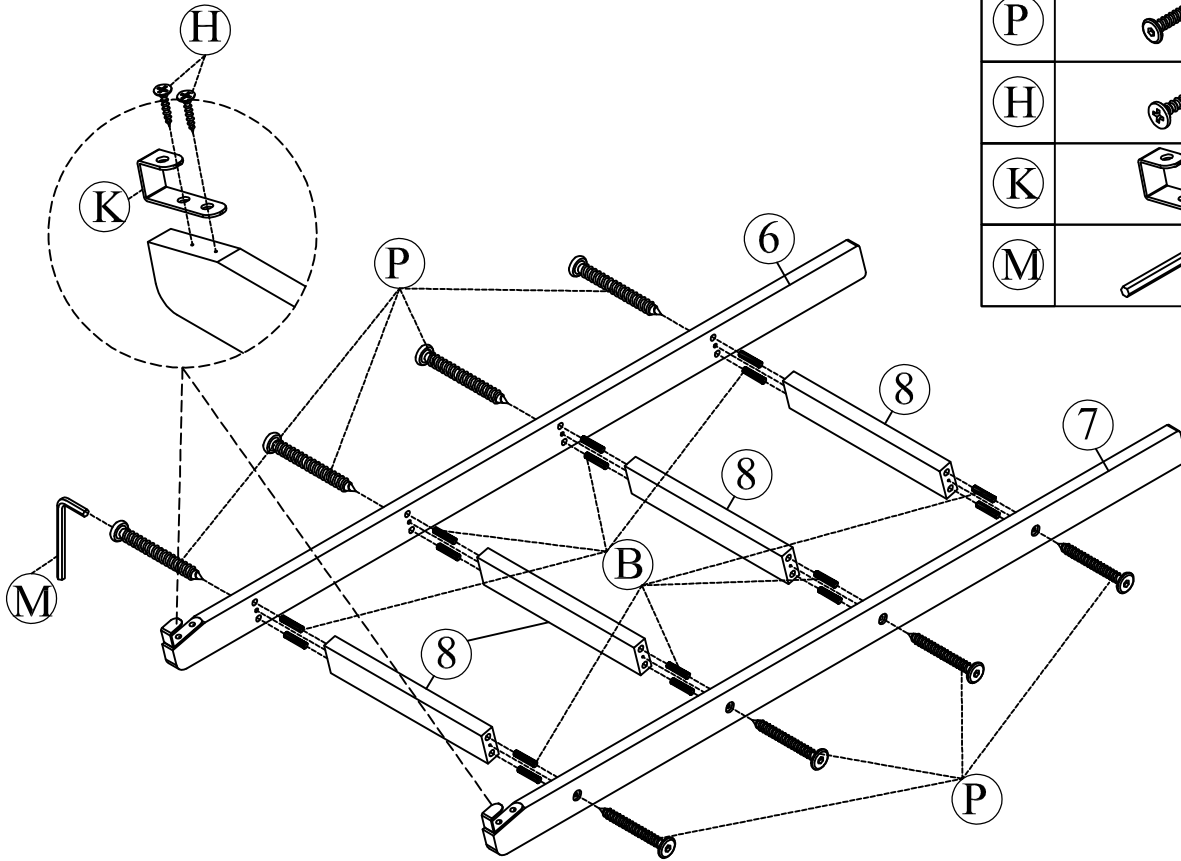
STEP 10:

(H)		28
-----	---	----

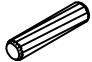


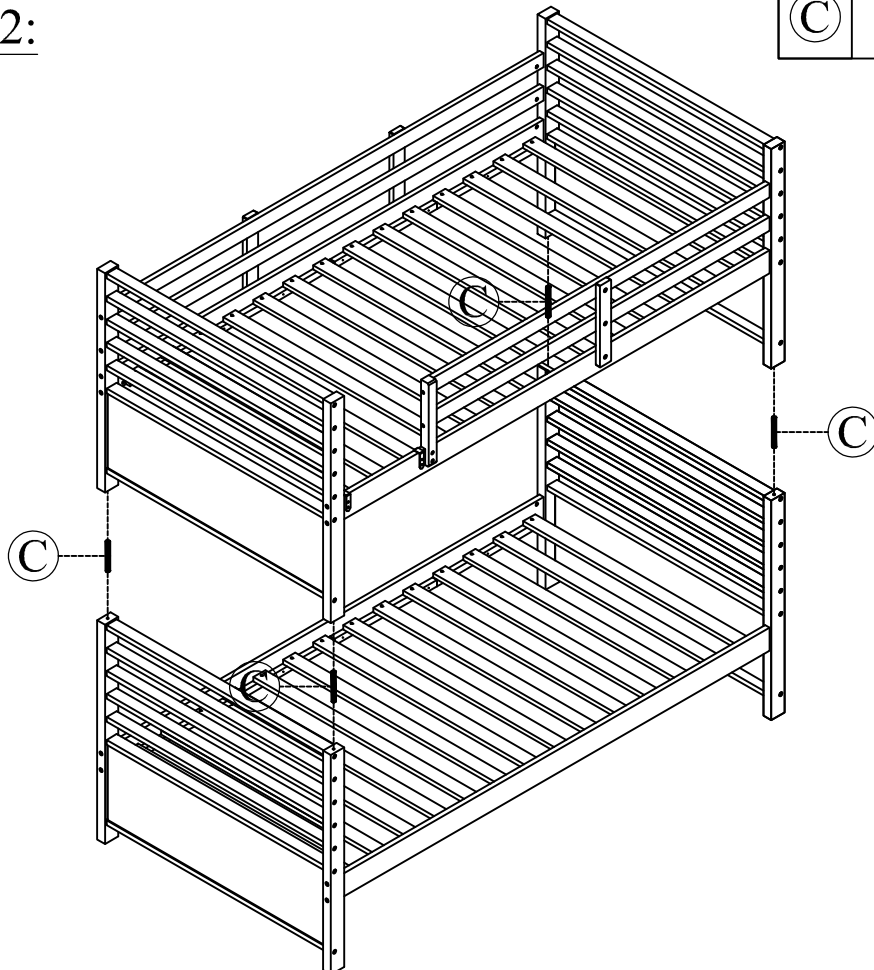
STEP 11:

(B)		16
(P)		08
(H)		04
(K)		02
(M)		01

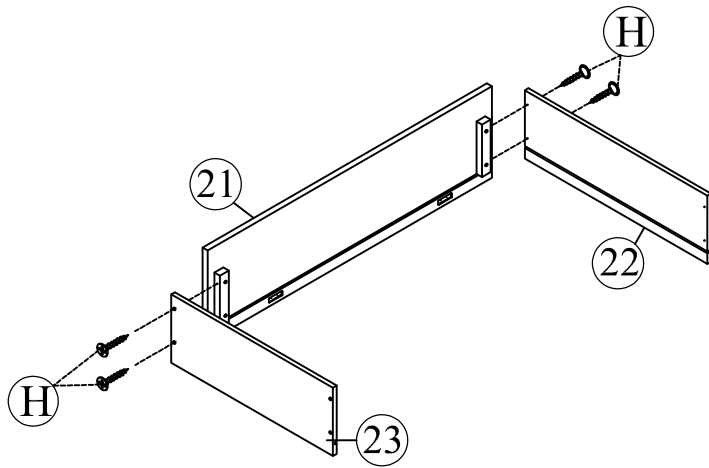


STEP 12:

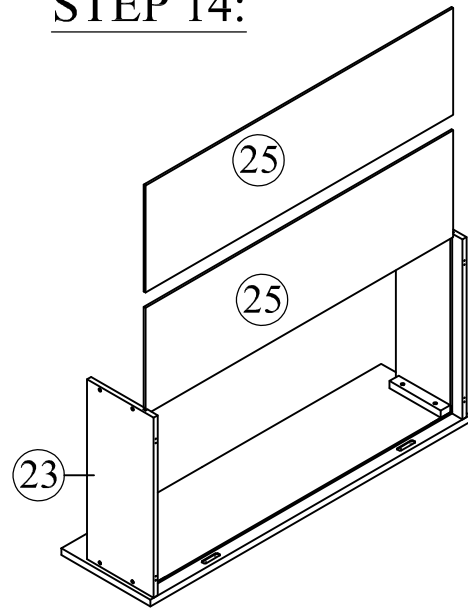
(C)		04
-----	---	----



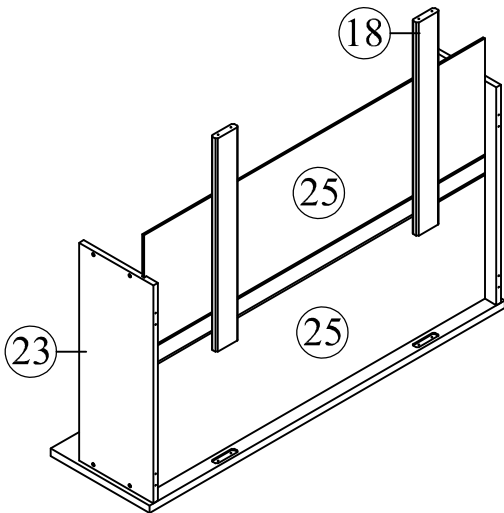
STEP 13:



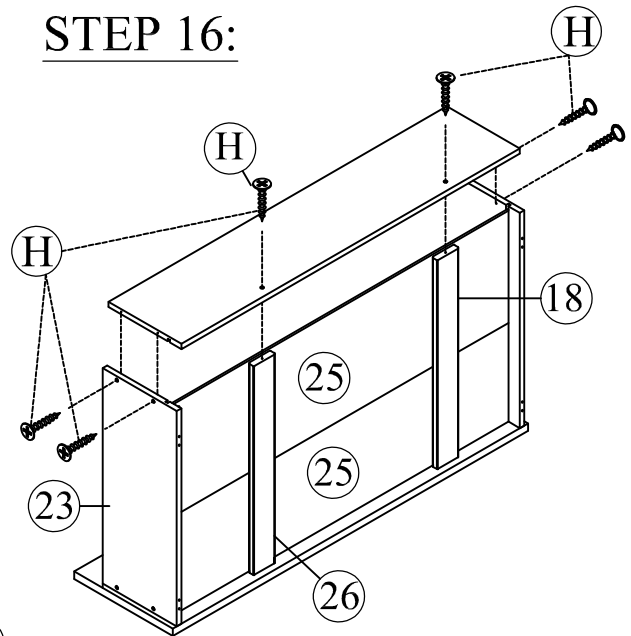
STEP 14:



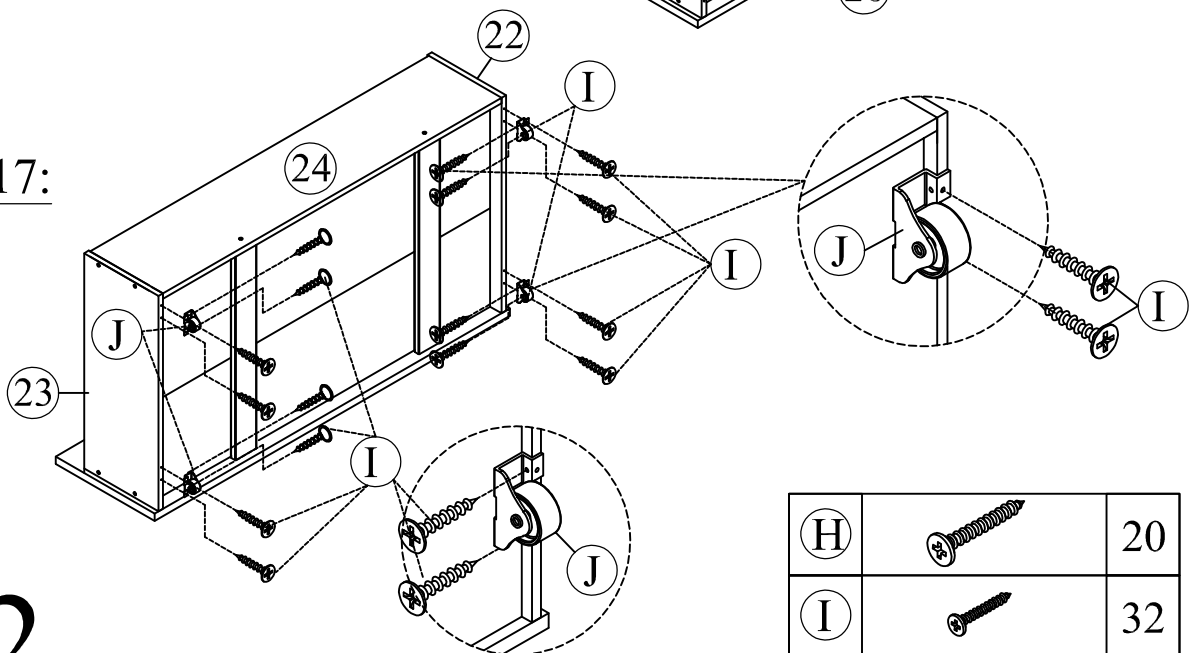
STEP 15:






STEP 16:




STEP 17:

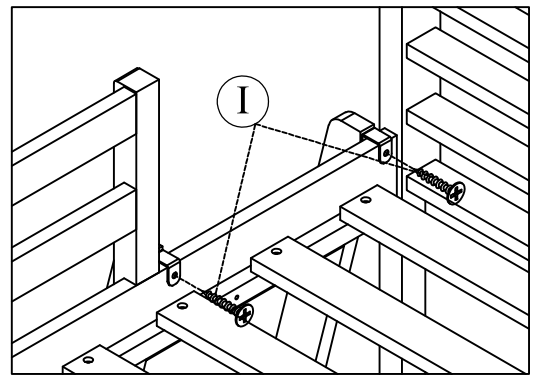
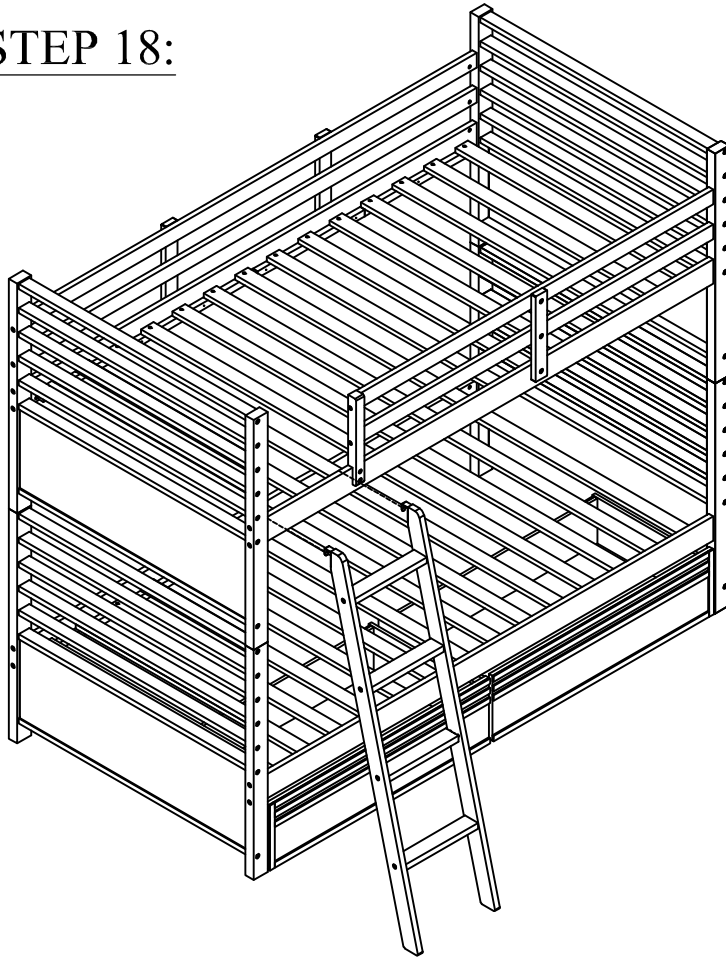


x2

H		20
I		32
J		08

STEP 18:

I		02
---	---	----



FINAL:

