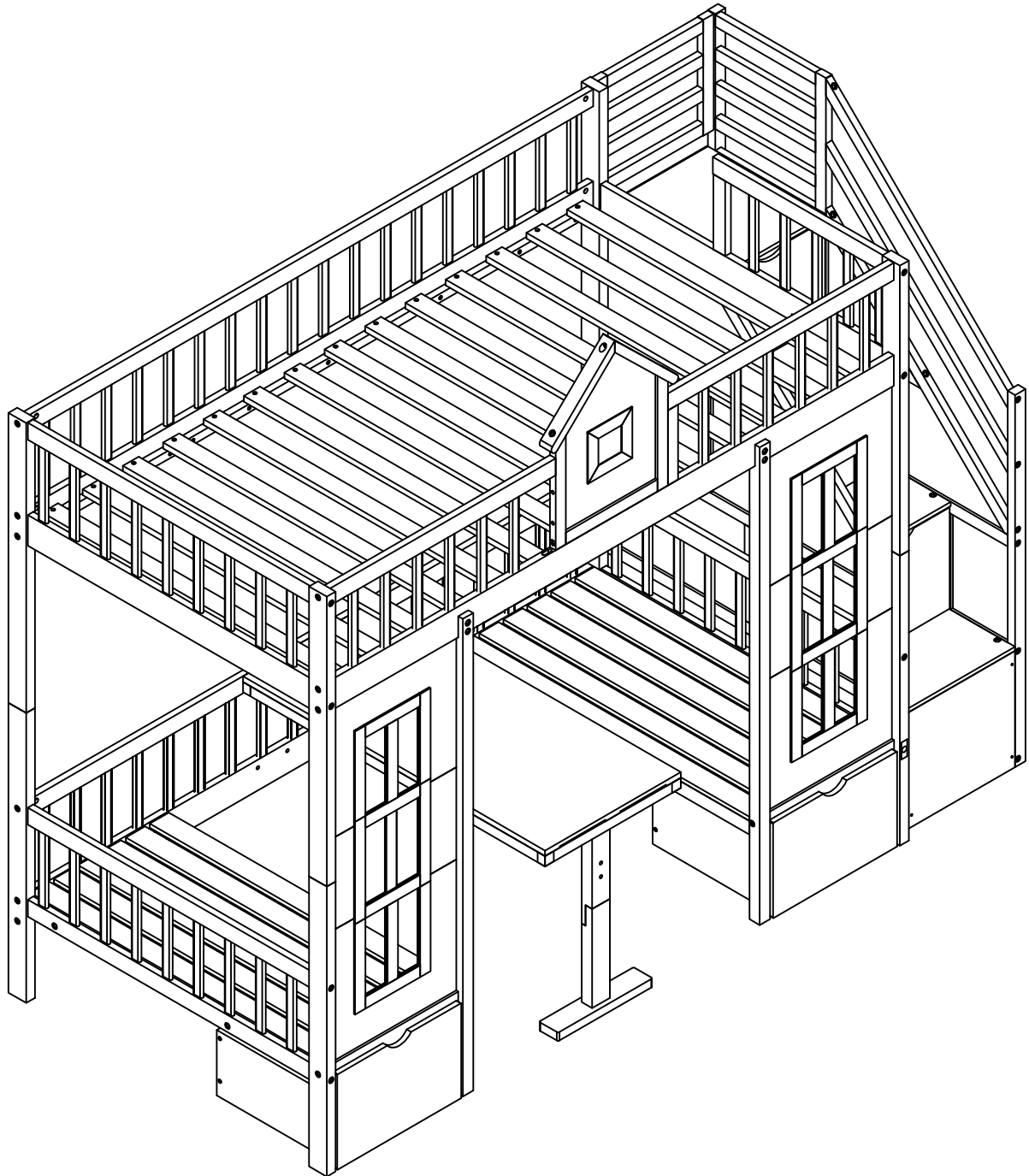


ASSEMBLY INSTRUCTION

SKU CODE: WF297621/WF297622/WF297623





SAFETY WARNINGS



1. This bed is designed for use only mattress(es) meeting the following specifications on the upper bunk:
Upper bunk (bunk bed and tribed included)

Upper bed

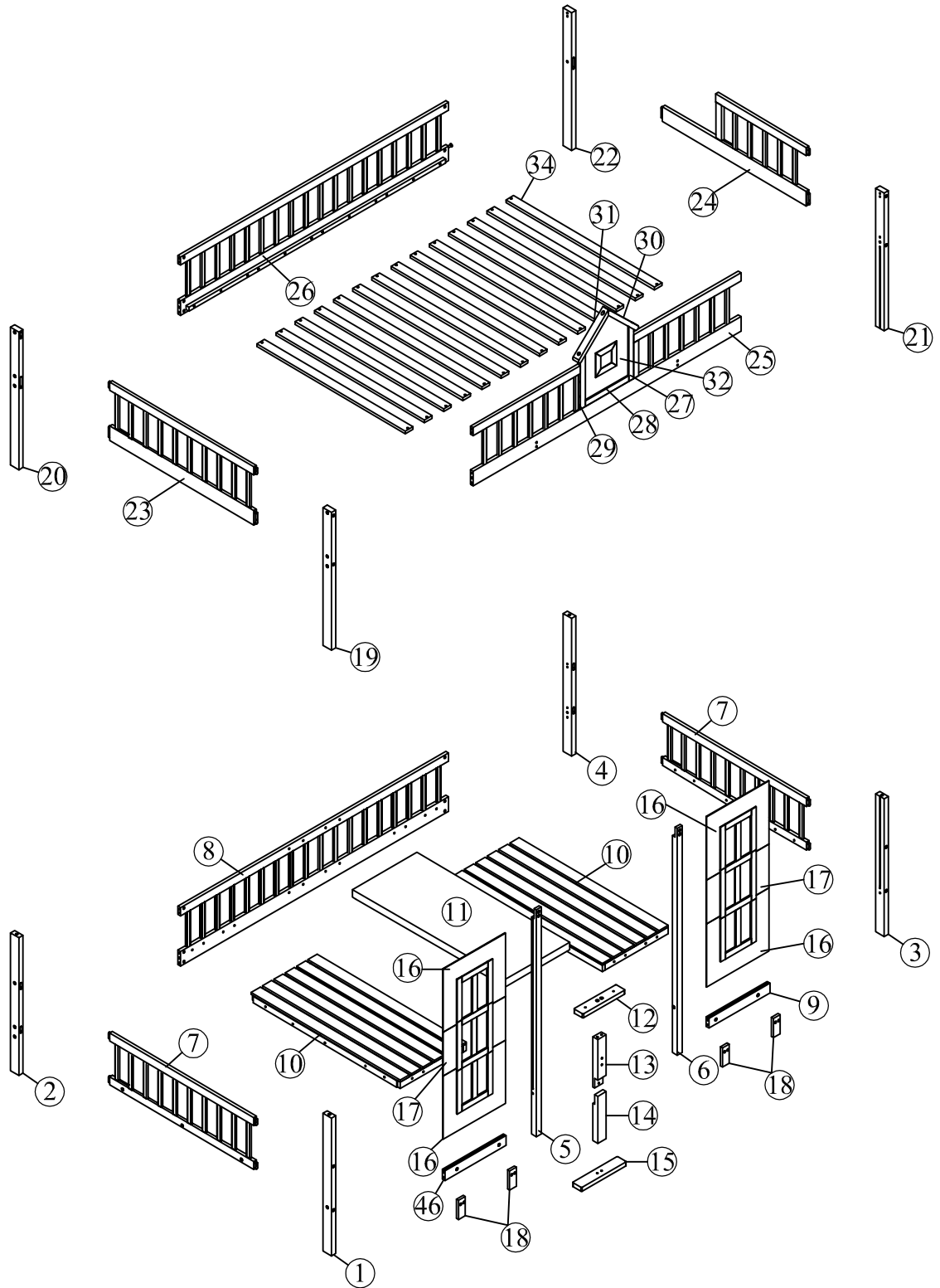
<i>Bed Type</i>	Length	Width	Thickness
<i>Twin Standard</i>	74"-75"	37 1/2"- 38 1/2"	6" max

Lower bed

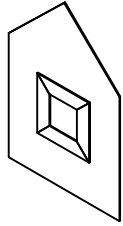
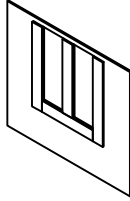
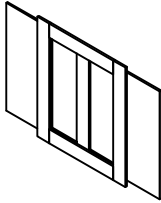
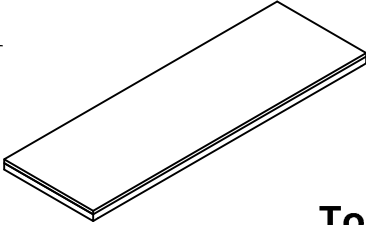
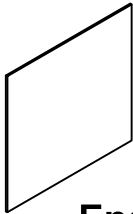
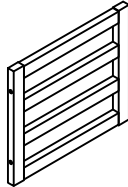
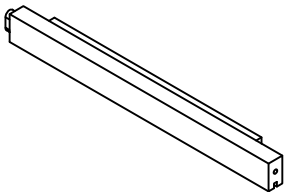
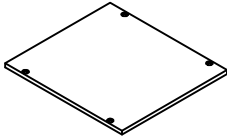
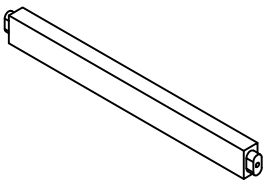
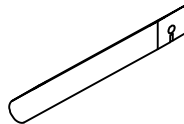


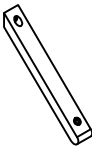

<i>Bed Type</i>	Length	Width	Thickness
<i>Twin Standard</i>	74"-75"	37 1/2"- 38 1/2"	8" max

2. Replacement parts, including additional guardrails, maybe obtained from any of our (GIGACLOUDTECHNOLOGY (USA) INC. 18961 ARENTH AVENUE CITY OF INDUSTRY, CA, 91748) dealers.
3. Follow the information on the warnings appearing on the upper bunk bed end structure and on the carton. Do not remove warning label from bed.
4. Always use the recommended size mattresses or mattress supports, or both, to help prevent the likelihood of entrapment or falls.
5. Surface of the mattress must be at least 5". (127 mm) below the upper edge of guardrails.
6. Do not allow children under 6 years of age to use the upper bunk.
7. Periodically check and ensure that the guardrail, ladder, and other components are in their proper position, free from damage, and that all connectors are tight.
8. Do not allow horseplay on or under the bed and prohibit jumping on the bed
9. Always use the ladder for entering and leaving the upper bunk.
10. Do not use substitute parts. Contact the manufacturer or dealer for replacement parts.
11. Use of a night light may provided added safety precaution for a child using the upper bunk.
12. Always use guardrails on both long sides of the upper bunk. If the bunk bed will be placed next to the wall, the guardrail that runs the full length of the bed should be placed against the wall to prevent entrapment between the bed and wall.
13. The use of water or sleep flotation mattresses is prohibited.
14. STRANGULATION HAZARD - Never attach or hang items to any part of the bunk bed that are not designed for use with the bed; for example, but not limited to, hook, belts and jump ropes.
15. Keep these instructions for future reference
16. Prohibit more than one person on upper bunk.
17. We recommend assembling your bunk bed on the shipping carton to protect your floor or carpet.
18. Be certain all staples are out of the box before beginning assembly on the shipping carton.

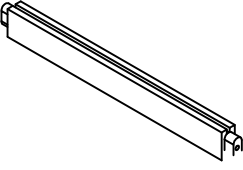


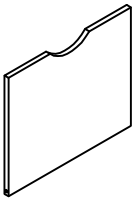
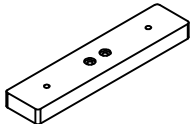
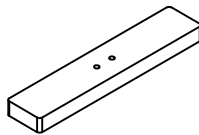
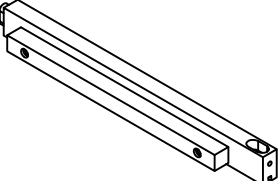
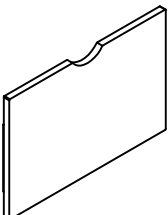
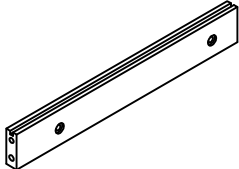
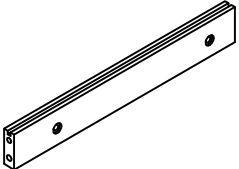
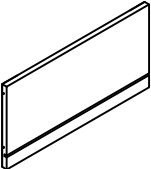

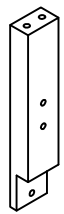
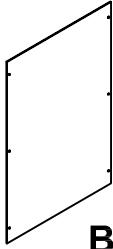
Detail view:



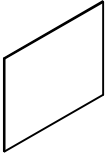


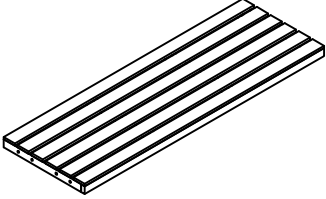
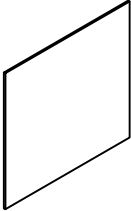
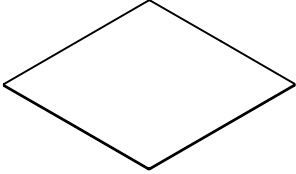
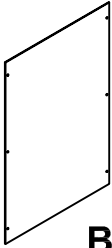
Part List (WF297621)

<p>③② x1</p>  <p style="text-align: center;">Decorative Panel</p>	<p>①⑥ x4</p>  <p style="text-align: center;">Panel Side Rails</p>
<p>①⑦ x2</p>  <p style="text-align: center;">Panel Side Rails</p>	<p>①① x1</p>  <p style="text-align: center;">Top Table</p>
<p>⑦⑥ x3</p>  <p style="text-align: center;">End Panel Stair</p>	<p>⑥⑨ x1</p>  <p style="text-align: center;">Frame Back Stair</p>
<p>⑤⑦ x1</p>  <p style="text-align: center;">Stair Frame</p>	<p>⑦⑦ x1</p>  <p style="text-align: center;">Top Stair 1</p>
<p>⑥① x4</p>  <p style="text-align: center;">Stair Frame</p>	<p>③① x1</p>  <p style="text-align: center;">Decorative Frame</p>
<p>⑦⑨ x2</p>  <p style="text-align: center;">Stair Frame</p>	<p>⑦⑧ x2</p>  <p style="text-align: center;">Stair Frame</p>
<p>③⑦ x1</p>  <p style="text-align: center;">Decorative Frame</p>	<p>②⑦ x1</p>  <p style="text-align: center;">Decorative Frame</p>



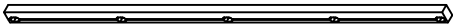
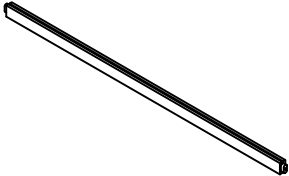
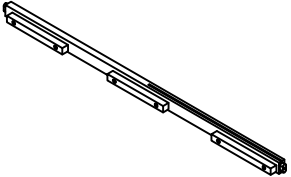

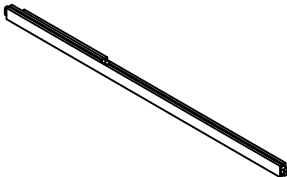
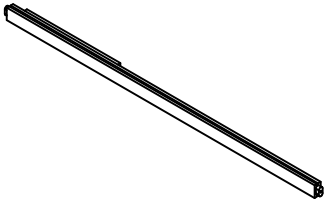
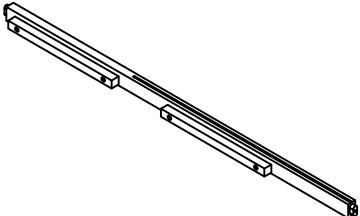

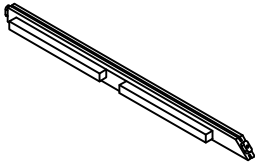
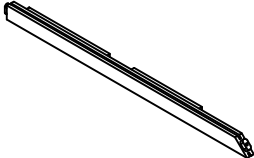
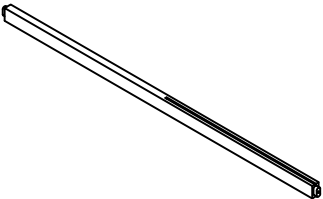
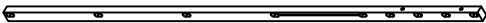
Part List (WF297621)

<p>②⑧ x1 </p> <p style="text-align: center;">Decorative Frame</p>	<p>③③ x1 </p> <p style="text-align: center;">Stair Frame</p>
<p>⑥② x1 </p> <p style="text-align: center;">Stair Frame</p>	<p>⑦⑤ x3 </p> <p style="text-align: center;">Front Stairs</p>
<p>①② x1 </p> <p style="text-align: center;">Table Leg Base</p>	<p>①⑤ x1 </p> <p style="text-align: center;">Table Leg Base</p>
<p>⑥④ x1 </p> <p style="text-align: center;">Stair Frame</p>	<p>③⑤ x2 </p> <p style="text-align: center;">Front Drawers</p>
<p>⑨ x1 </p> <p style="text-align: center;">Front Upper Side Rail</p>	<p>④⑥ x1 </p> <p style="text-align: center;">Front Upper Side Rail</p>
<p>③⑧ x2 </p> <p style="text-align: center;">Back Drawers</p>	<p>①④ x1 </p> <p style="text-align: center;">Lifting Table Leg</p>
<p>①③ x1 </p> <p style="text-align: center;">Lifting Table Leg</p>	<p>⑥③ x1 </p> <p style="text-align: center;">Back Panel Stair</p>

Part List (WF297621)

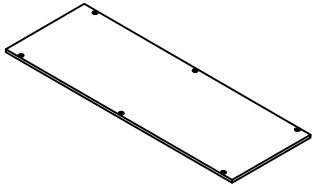
<p>④④ x1</p>  <p>Panel</p>	<p>⑤⑨ x1</p>  <p>Stair Frame</p>
<p>②⑨ x1</p>  <p>Decorative Frame</p>	<p>①⑩ x2</p>  <p>Top Bench</p>
<p>⑦④ x1</p>  <p>Panel Stair 4</p>	<p>③⑨ x2</p>  <p>Bottom Drawers</p>
<p>⑦⑦ x1</p>  <p>Back Panel Stair</p>	

Part List (WF297622)

<p>⑤ x1</p>  <p>Support Left Leg</p>	<p>⑥ x1</p>  <p>Support Right Leg</p>
<p>⑤① x1</p>  <p>Newel post</p>	<p>⑤⑤ x1</p>  <p>Stair Frame</p>
<p>⑥⑦ x1</p>  <p>Stair Frame</p>	<p>④⑧ x1</p>  <p>Newel post</p>
<p>⑤③ x1</p>  <p>Stair Frame</p>	<p>⑤④ x1</p>  <p>Stair Frame</p>
<p>⑥⑥ x1</p>  <p>Stair Frame</p>	<p>④⑦ x1</p>  <p>Newel post</p>
<p>⑥⑤ x1</p>  <p>Stair Frame</p>	<p>⑤② x1</p>  <p>Stair Frame</p>
<p>⑥⑧ x1</p>  <p>Stair Frame</p>	<p>⑥① x1</p>  <p>Newel post</p>

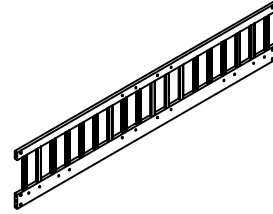
Part List (WF297622)

73 x1



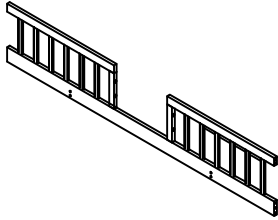
Top Stair 4

8 x1



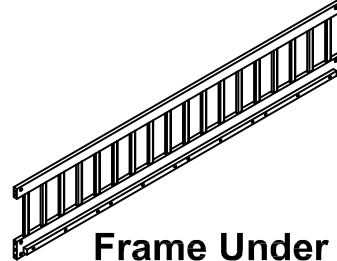
Frame Upper Side Rail

25 x1



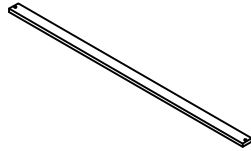
Frame Under Side Rail

26 x1







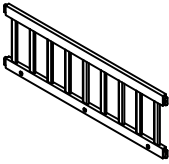
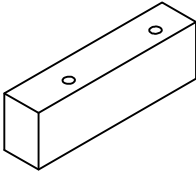
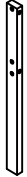



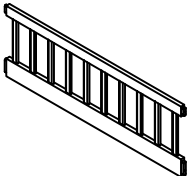
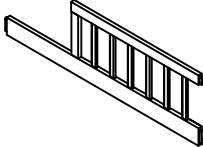
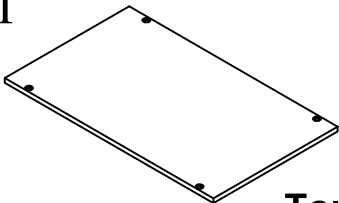
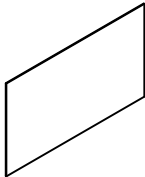
Frame Under Side Rail

34 x14

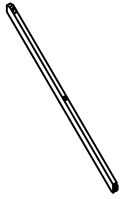
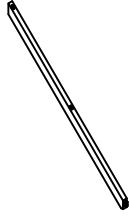
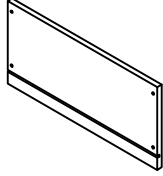
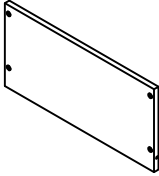
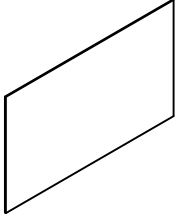
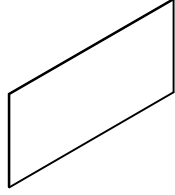
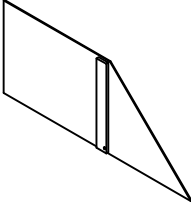
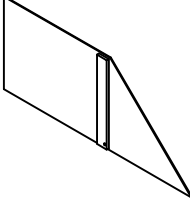
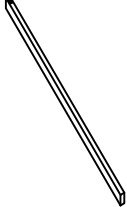
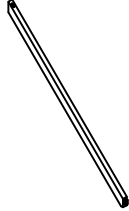
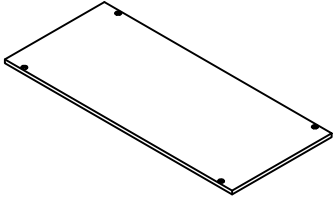


Slats


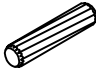











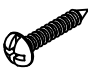





Part List (WF297623)

<p>① x1</p>  <p style="text-align: center;">Front Under Leg</p>	<p>② x1</p>  <p style="text-align: center;">Back Under Leg</p>
<p>③ x1</p>  <p style="text-align: center;">Front Under Leg</p>	<p>④ x1</p>  <p style="text-align: center;">Back Under Leg</p>
<p>⑦ x2</p>  <p style="text-align: center;">Support Left Leg</p>	<p>⑱ x4</p>  <p style="text-align: center;">Wood stops</p>
<p>⑲ x1</p>  <p style="text-align: center;">Front Upper Leg</p>	<p>⑳ x1</p>  <p style="text-align: center;">Back Upper Leg</p>
<p>㉑ x1</p>  <p style="text-align: center;">Front Upper Leg</p>	<p>㉒ x1</p>  <p style="text-align: center;">Back Upper Leg</p>
<p>㉓ x1</p>  <p style="text-align: center;">Frame Headboard</p>	<p>㉔ x1</p>  <p style="text-align: center;">Frame Footboard</p>
<p>㉗ x1</p>  <p style="text-align: center;">Top Stair 2</p>	<p>④⑤ x1</p>  <p style="text-align: center;">Panel</p>

Part List (WF297623)

<p>④⑨ x1</p>  <p>Handrail</p>	<p>⑤⑥ x1</p>  <p>Handrail</p>
<p>③⑥ x2</p>  <p>Side Drawers</p>	<p>③⑦ x2</p>  <p>Side Drawers</p>
<p>④① x3</p>  <p>Panels</p>	<p>④① x2</p>  <p>Panels</p>
<p>④② x2</p>  <p>Panels</p>	<p>④③ x2</p>  <p>Panels</p>
<p>⑤⑦ x1</p>  <p>Handrail</p>	<p>⑤⑧ x1</p>  <p>Handrail</p>
<p>⑦② x1</p>  <p>Top Stair 3</p>	




Hardware List (WF297623)

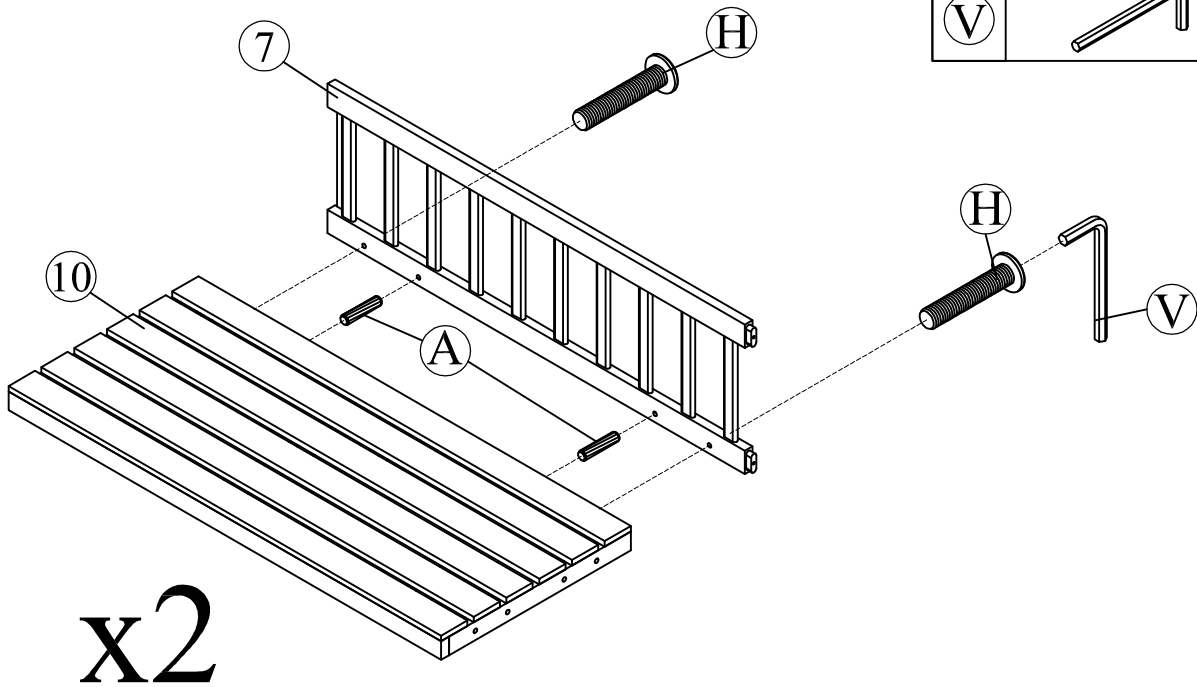
No.	OUTLOOK	DESC	QTY
(A)		Dowel Ø8*30mm	21
(B)		Dowel Ø10*40mm	12
(C)		Screws Ø6.5*25mm	3
(D)		Screws Ø6.5*35mm	3
(E)		Screws Ø6.5*50mm	37
(F)		Screws Ø6.5*70mm	15
(G)		Bolts 1/4"*25mm	30
(H)		Bolts 1/4"*35mm	16
(I)		Bolts 1/4"*50mm	7
(J)		Bolts 1/4"*70mm Brass fin insert 1/4"*13mm	22
(M)		Screws #6*15mm	44
(N)		Nuts 1/4"*20mm	4
(O)		Screws #8*25mm	56
(P)		Round head screw #8*20mm	12
(R)		Wheels	8
(T)		Inhaler Magnet	6
(U)		Iron round pin Ø5*20mm	6
(V)		Allen key 60*22*4mm	1
(W)		Dowel Ø12*100mm	4

ASSEMBLY TOOLS REQUIRED (NOT INCLUDED)






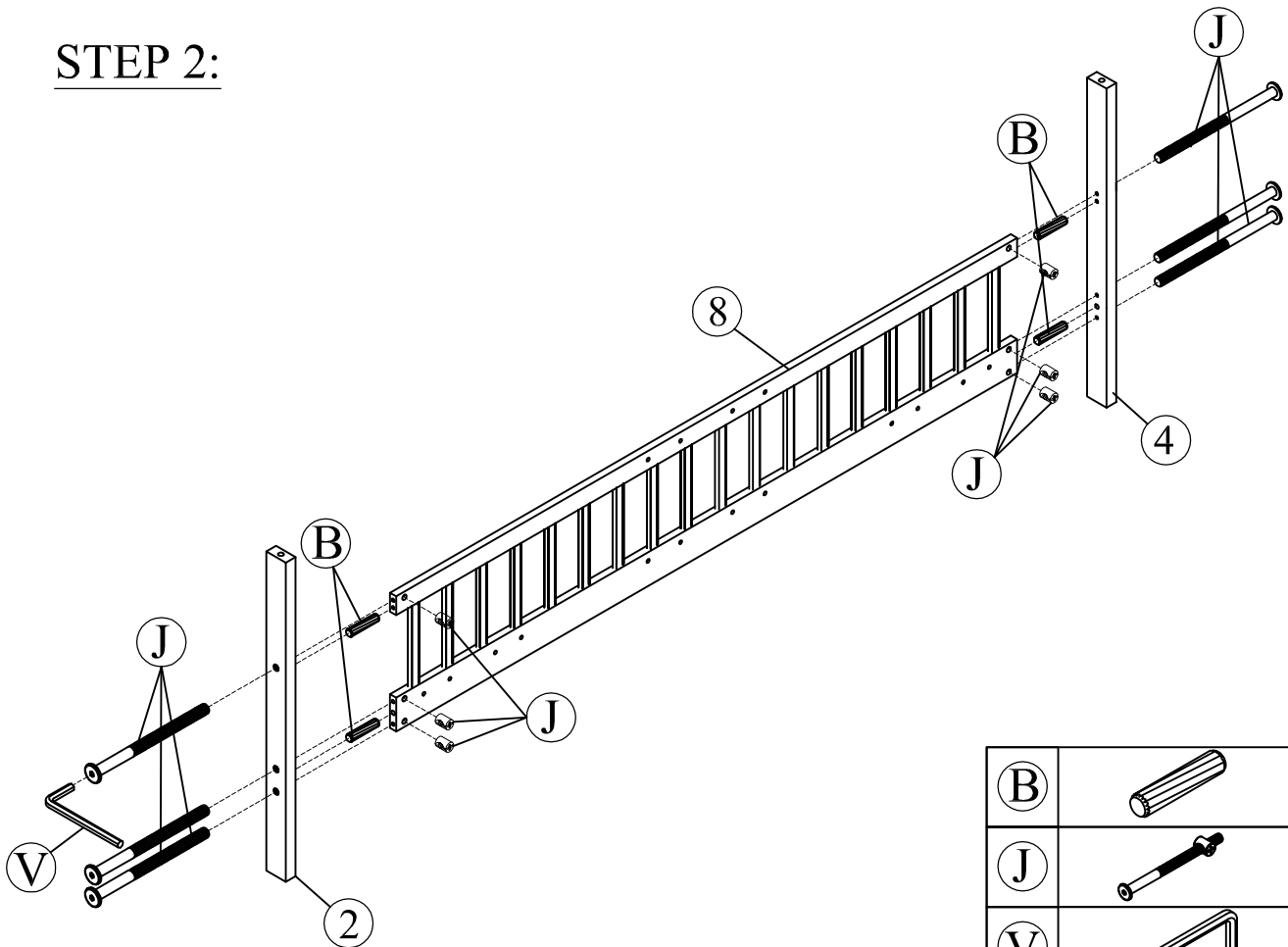
STEP 1:

(A)		04
(H)		04
(V)		01


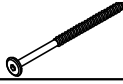




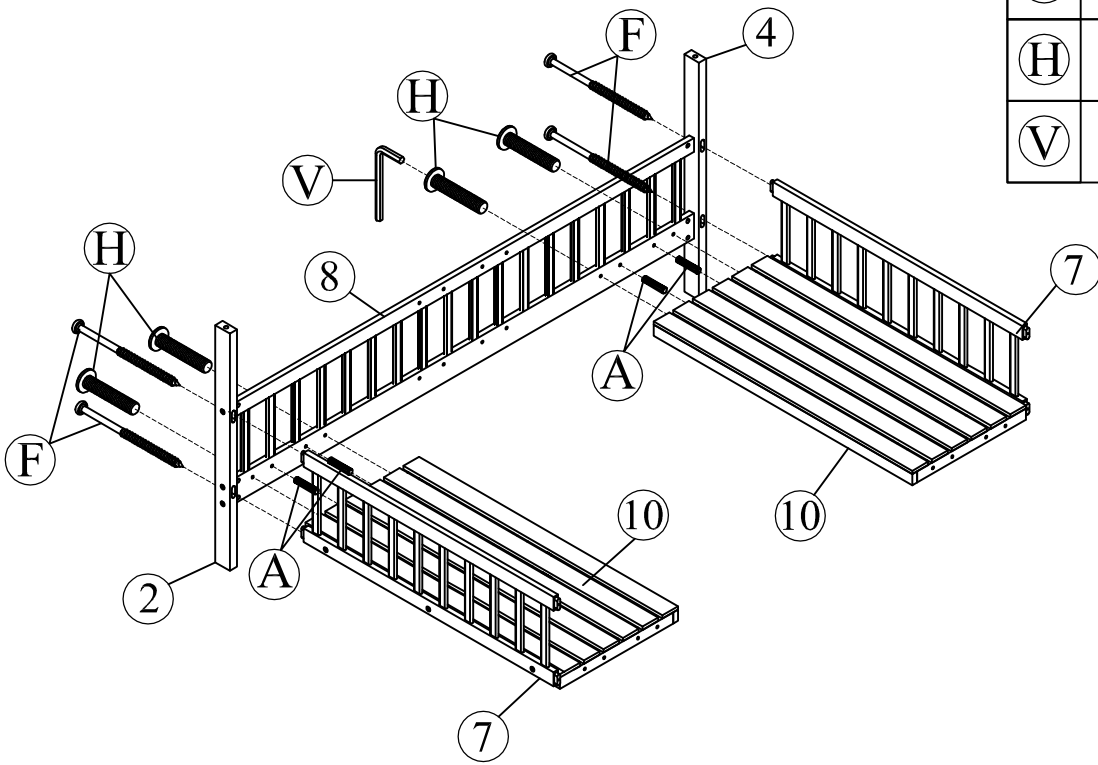
STEP 2:

(B)		04
(J)		06
(V)		01

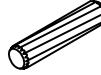




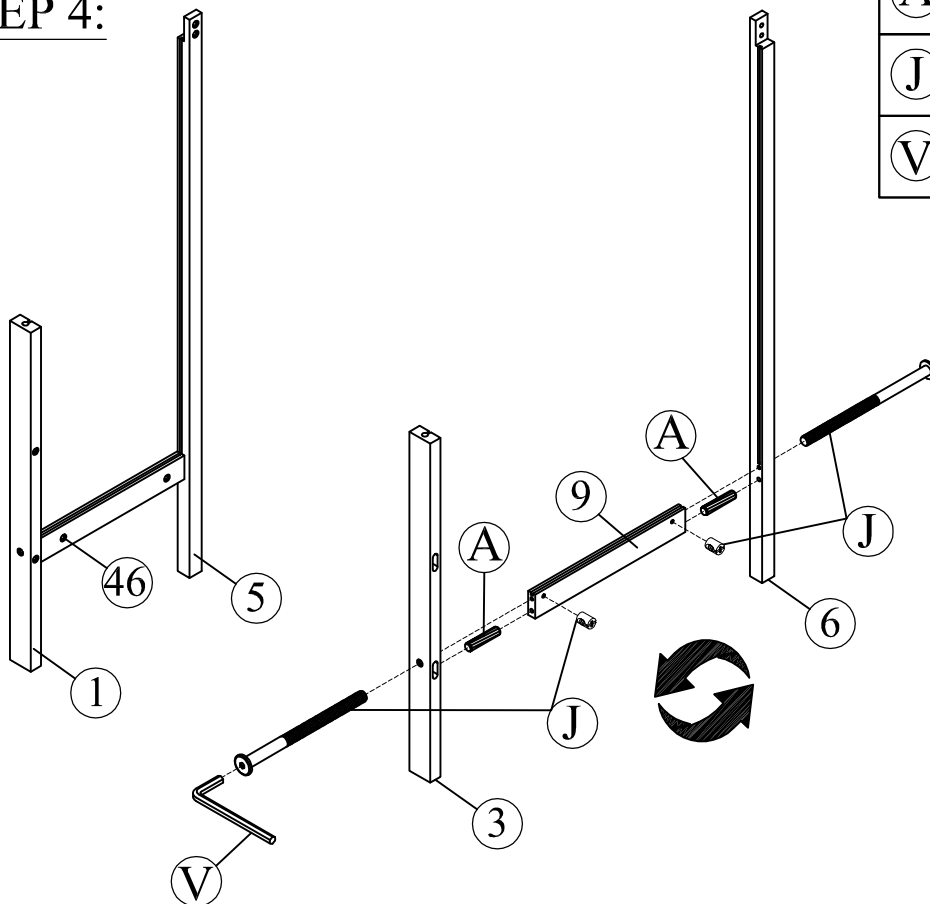
STEP 3:

(A)		04
(F)		04
(H)		04
(V)		01


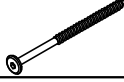




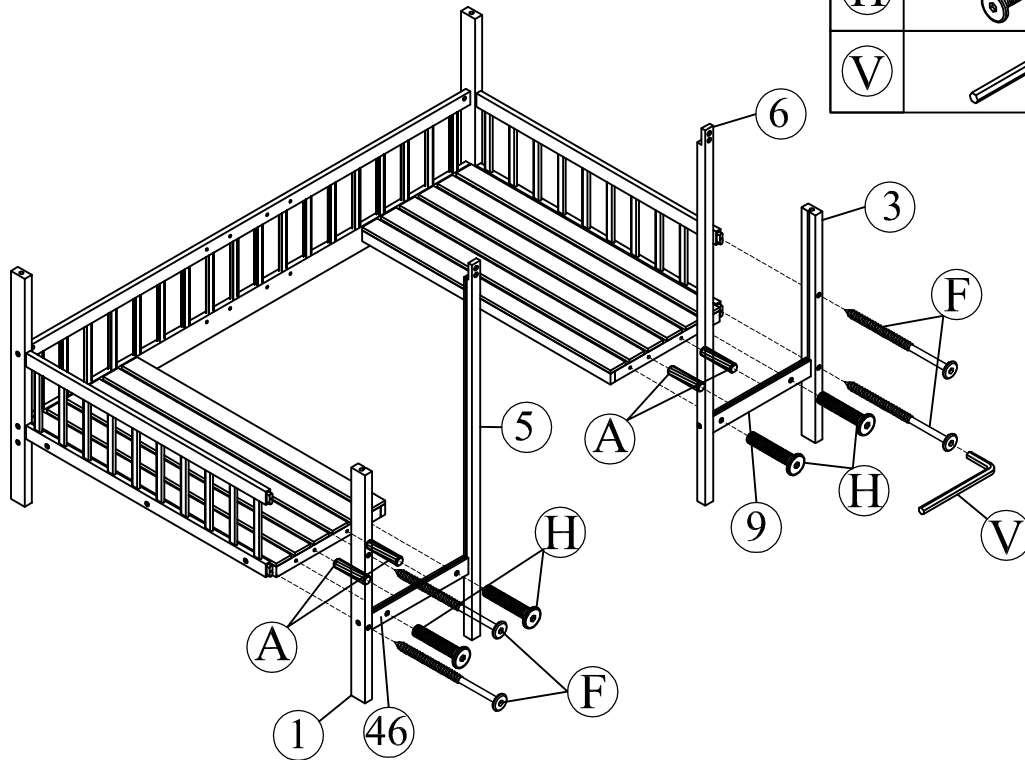
STEP 4:

(A)		04
(J)		04
(V)		01

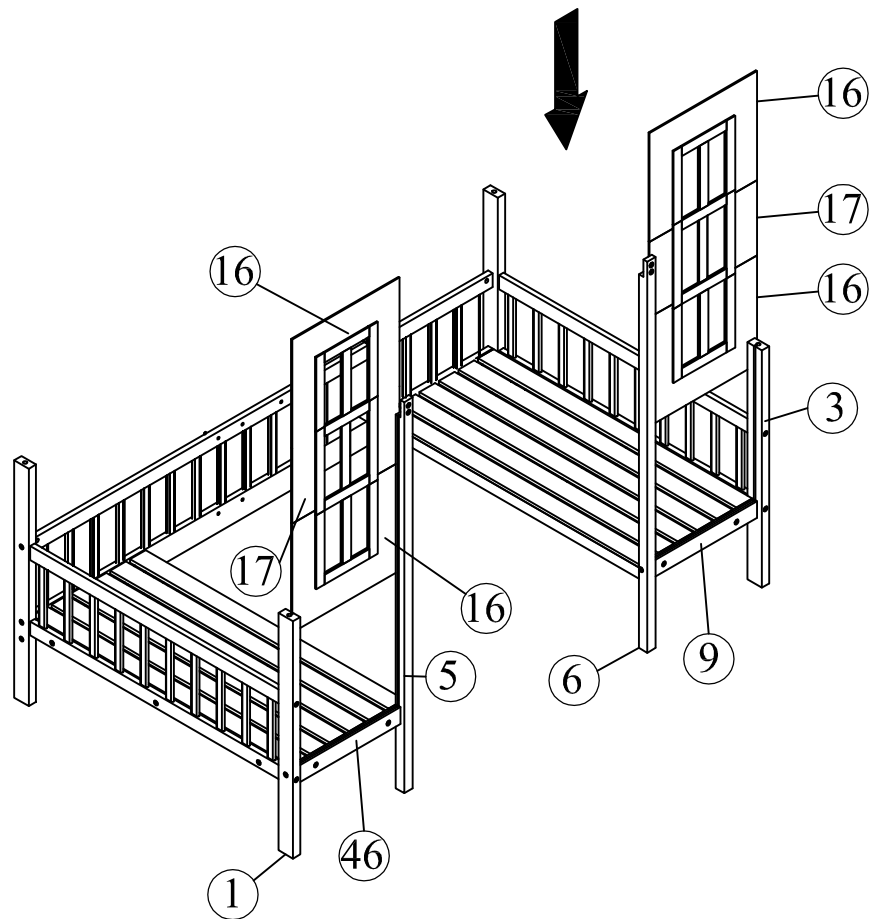


STEP 5:

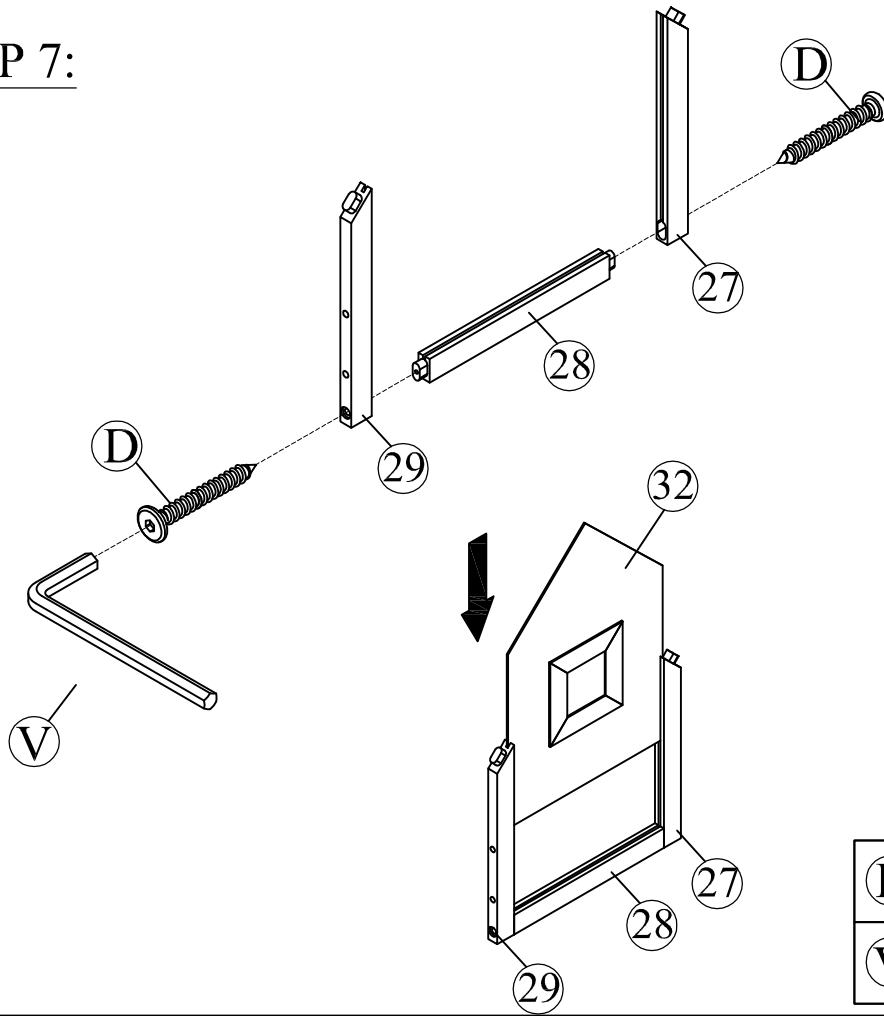
(A)		04
(F)		04
(H)		04
(V)		01





STEP 6:

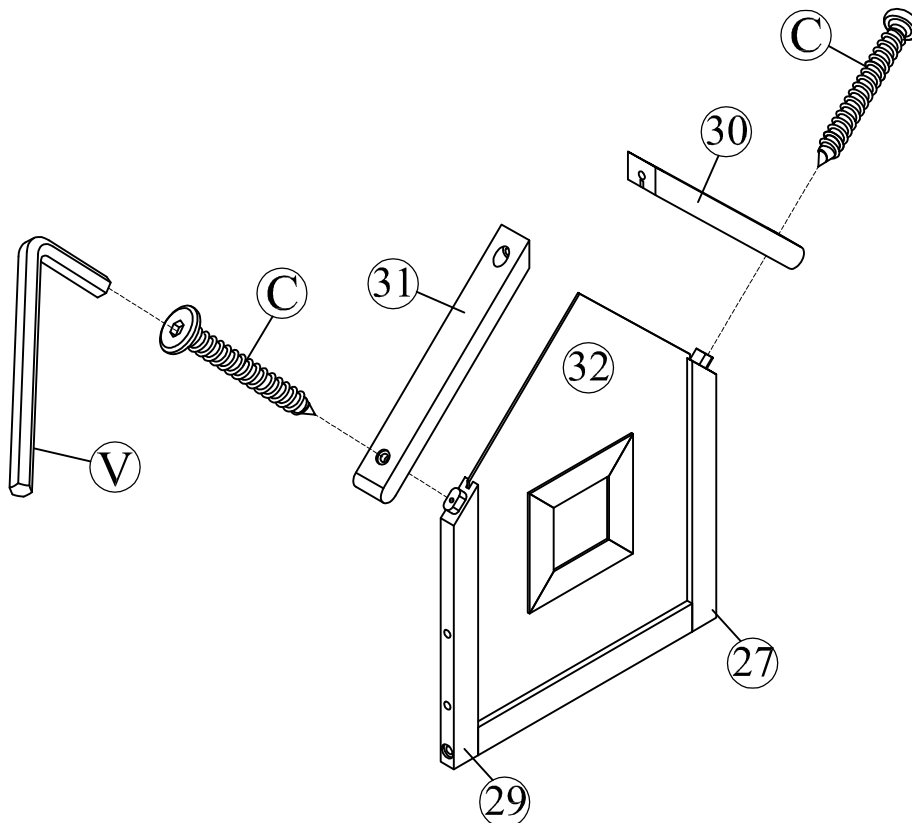




STEP 7:





(D)		02
(V)		01

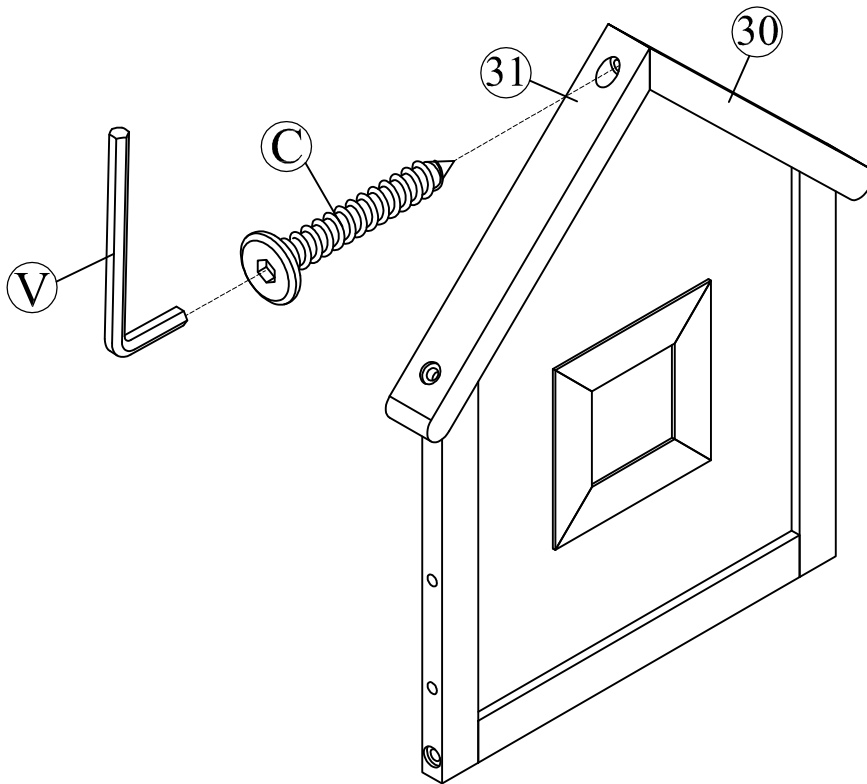
STEP 8:





(C)		02
(V)		01

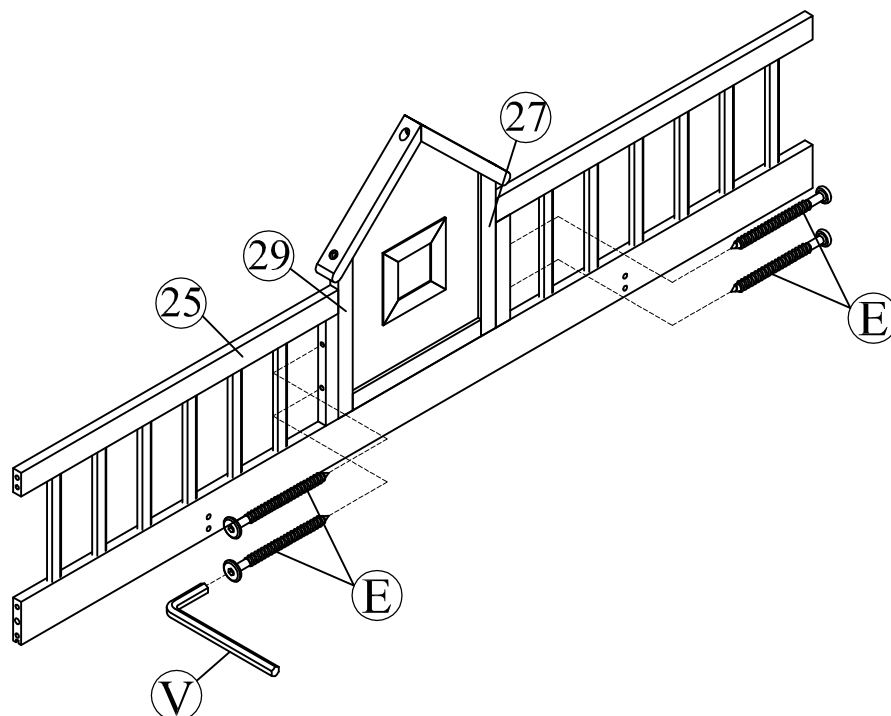
STEP 9:

(C)		01
(V)		01

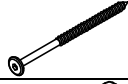



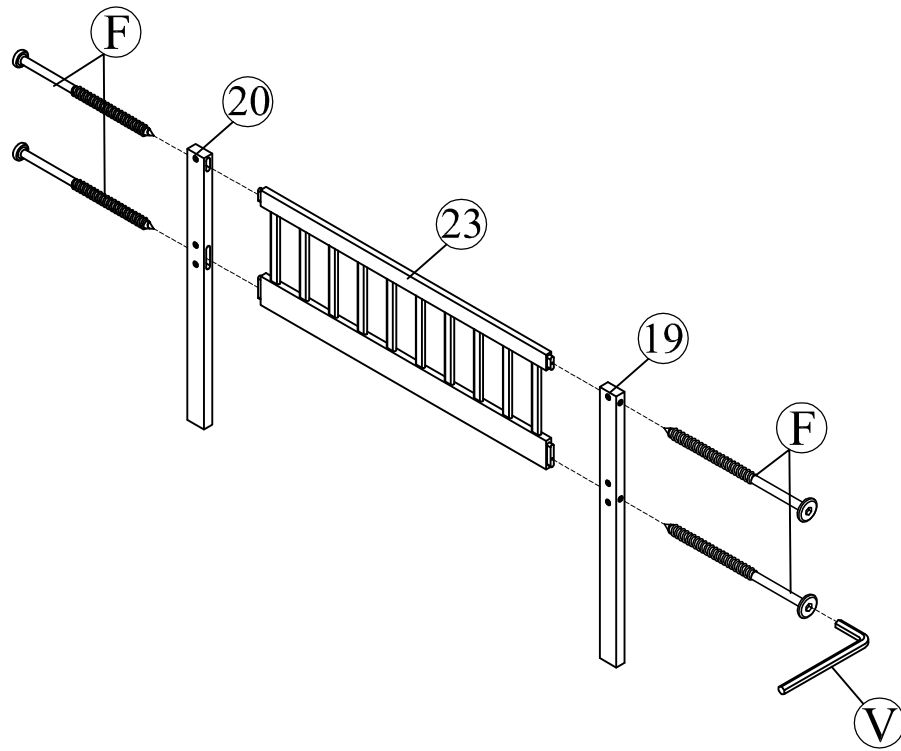
STEP 10:

(E)		04
(V)		01

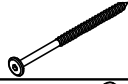



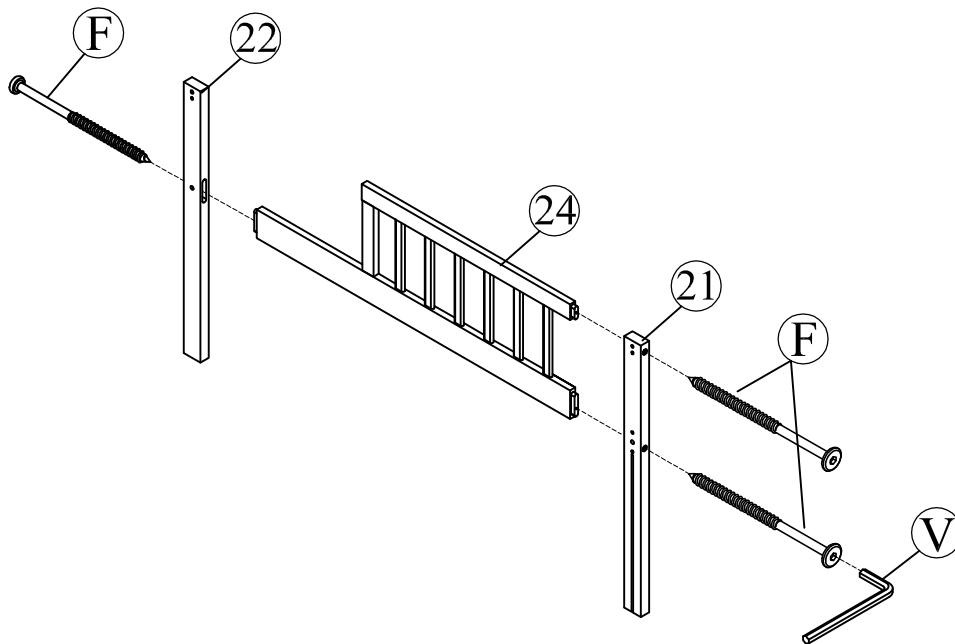
STEP 11:

(F)		04
(V)		01


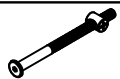



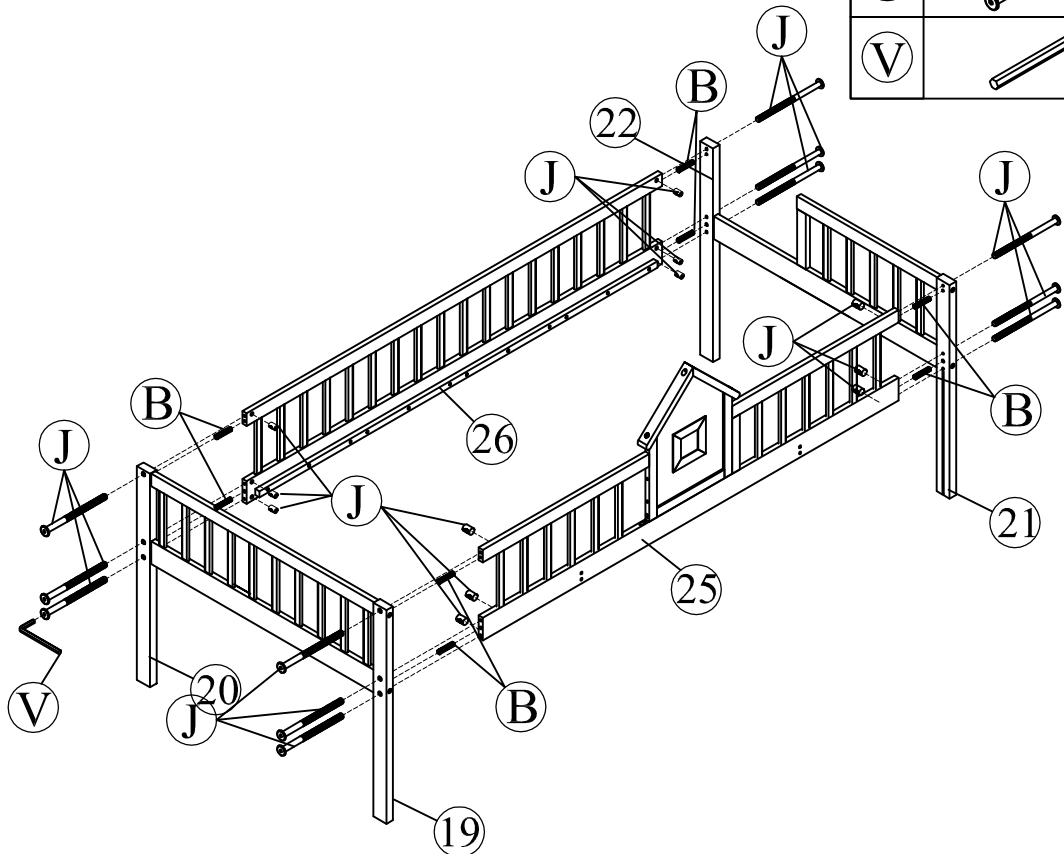
STEP 12:

(F)		03
(V)		01




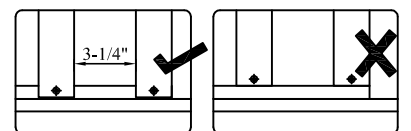
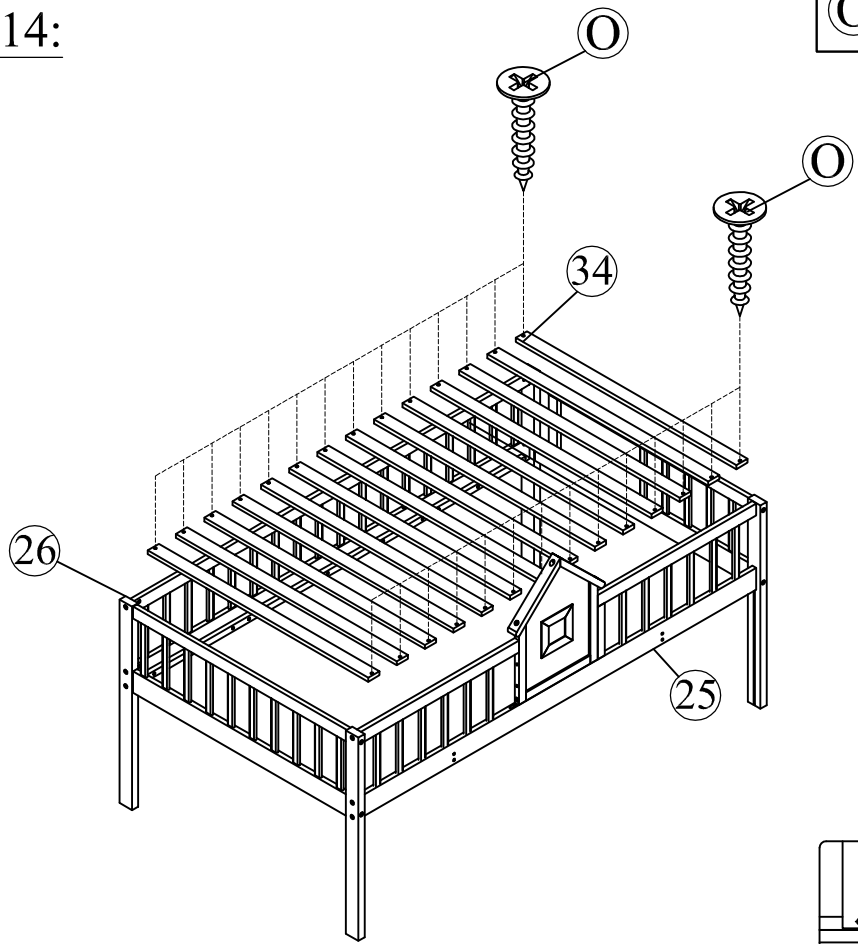
STEP 13:

(B)		08
(J)		12
(V)		01

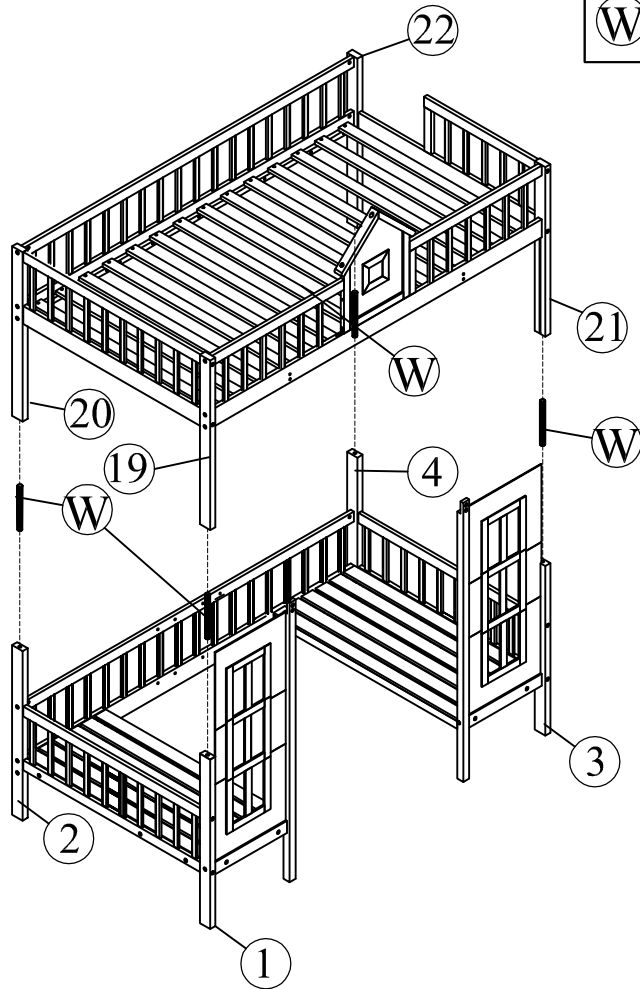



STEP 14:

(O)		28
-----	---	----

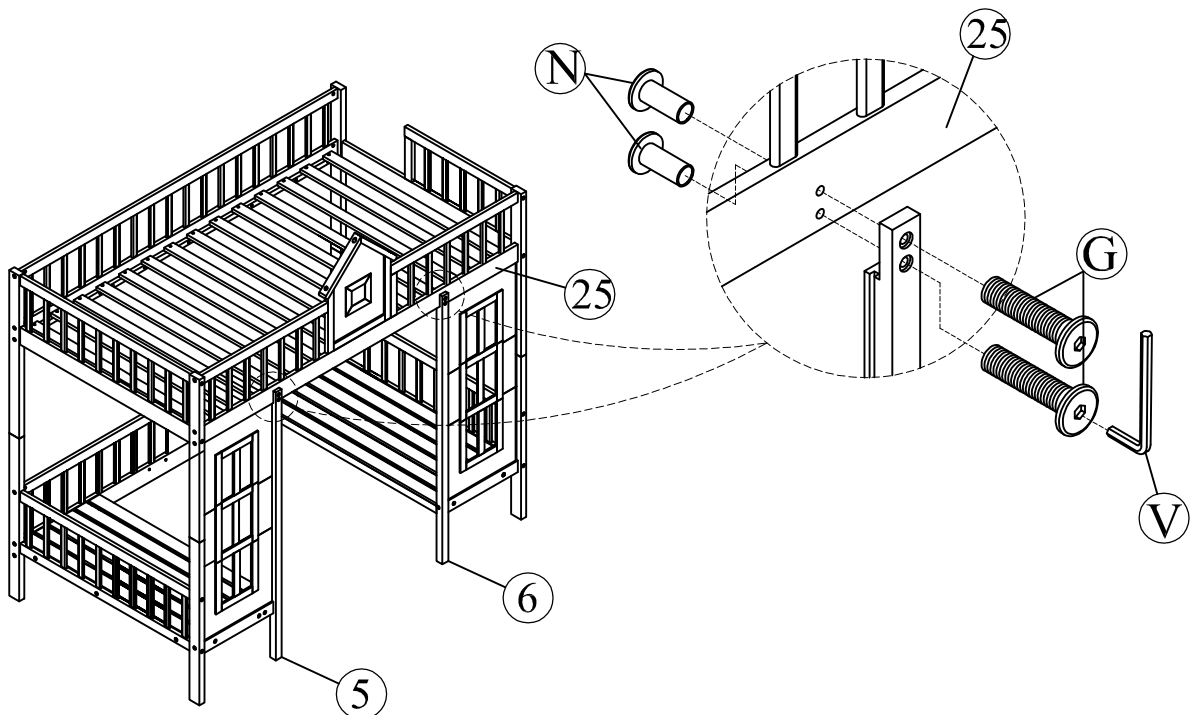





STEP 17:





W		04
---	---	----

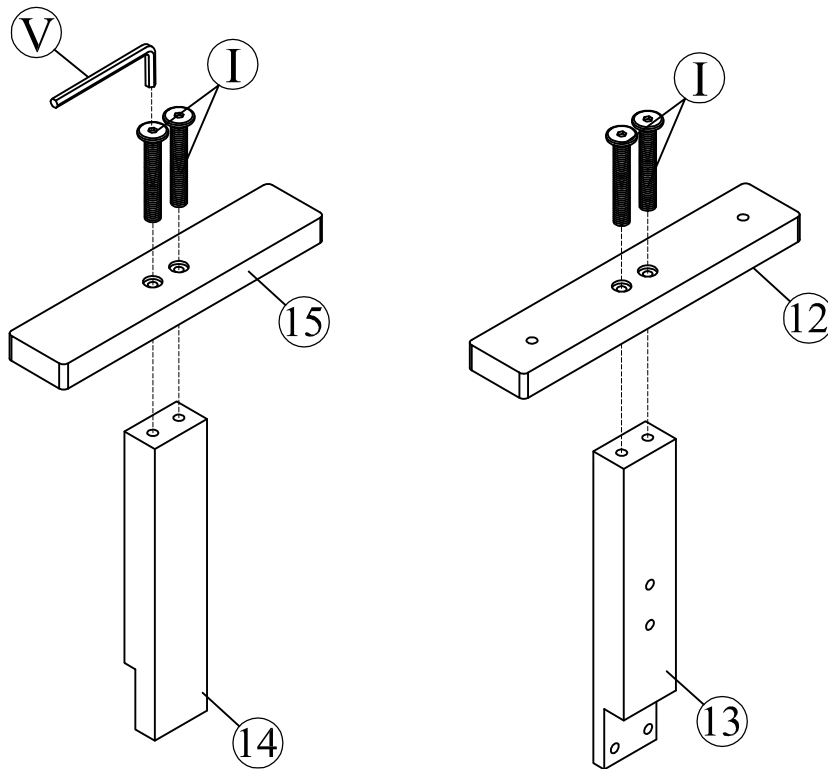
STEP 18:





G		04
V		01
N		04

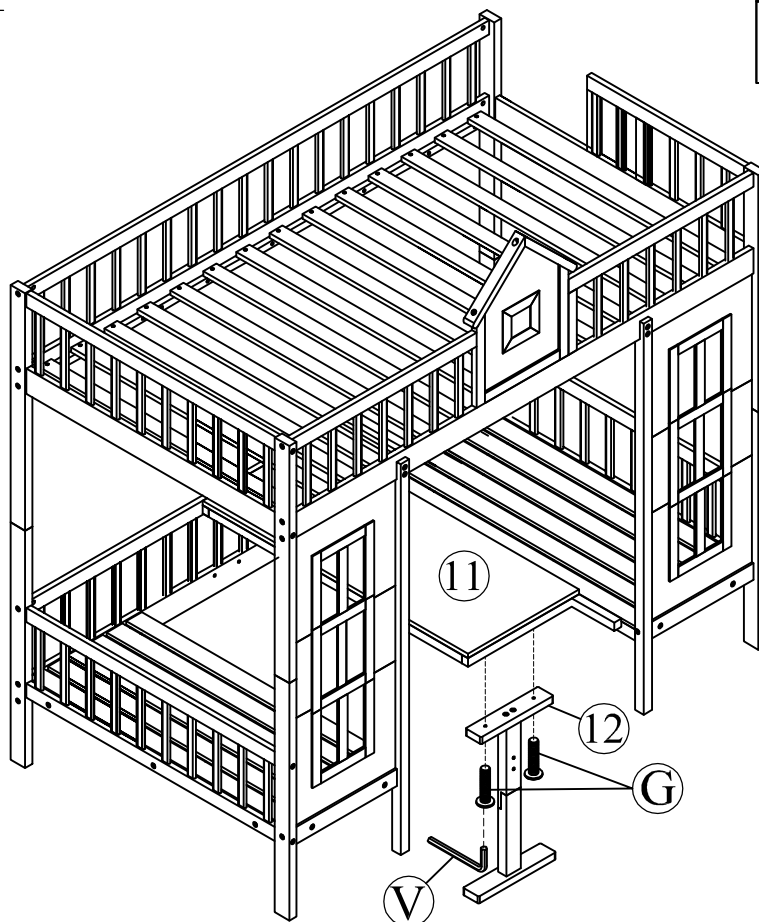
STEP 19:

(I)		04
(V)		01



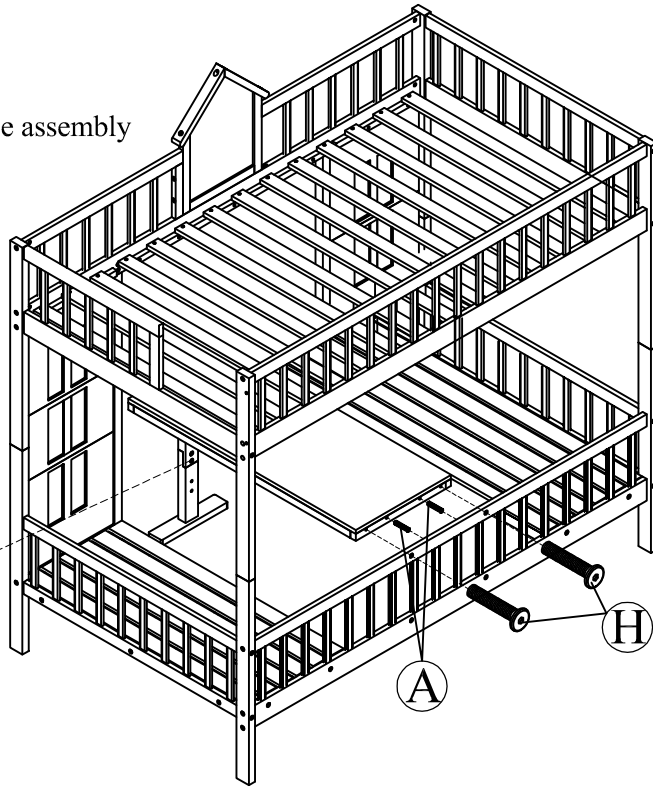
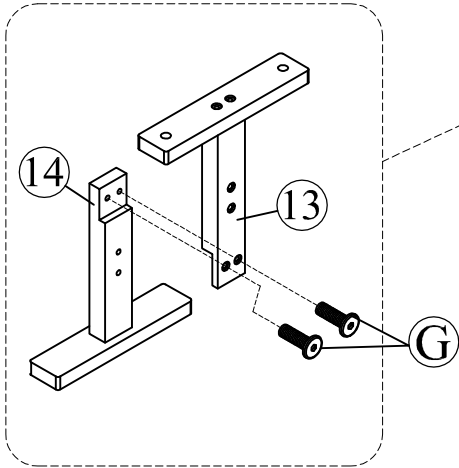
STEP 20:

(G)		02
(V)		01

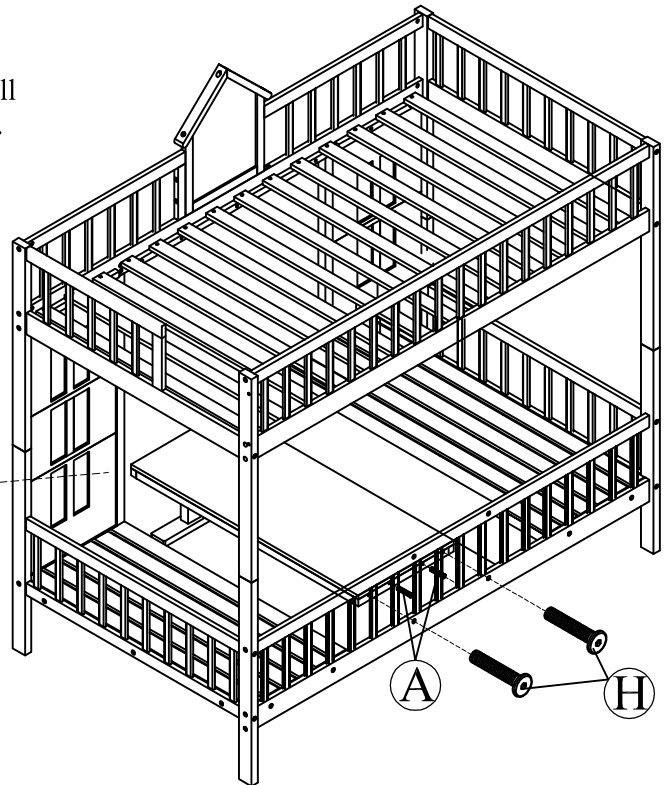
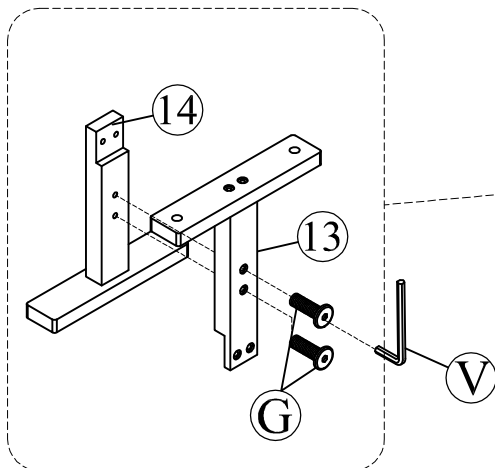






STEP 21:

Lift part number 13 upwards to form a table assembly
(replace bolt connection hole)

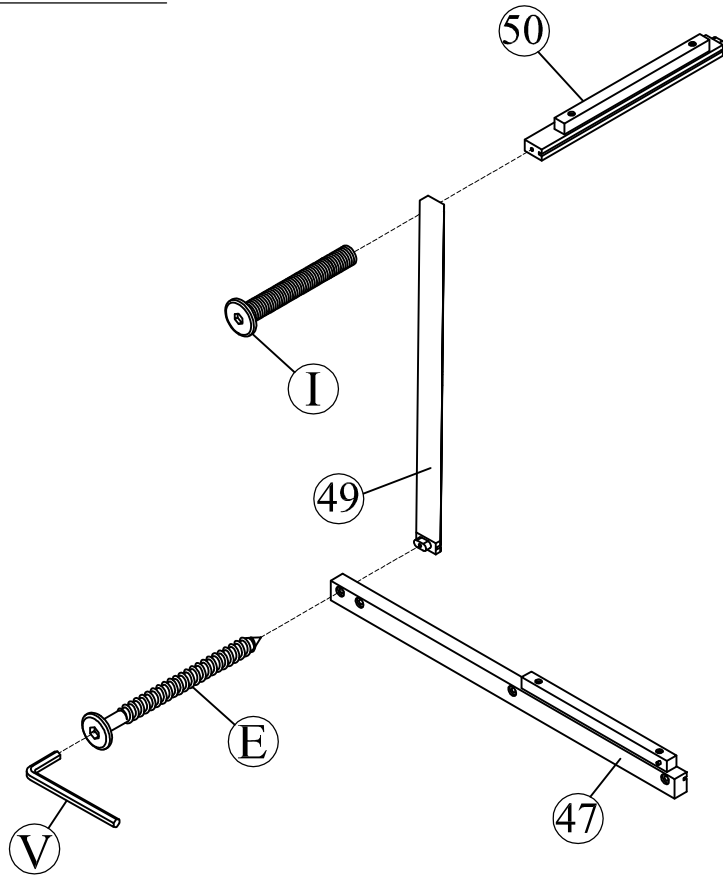





Lower detail number 13 to form a bed cluster. Use full
standard mattress (replace connection hole with bolt).



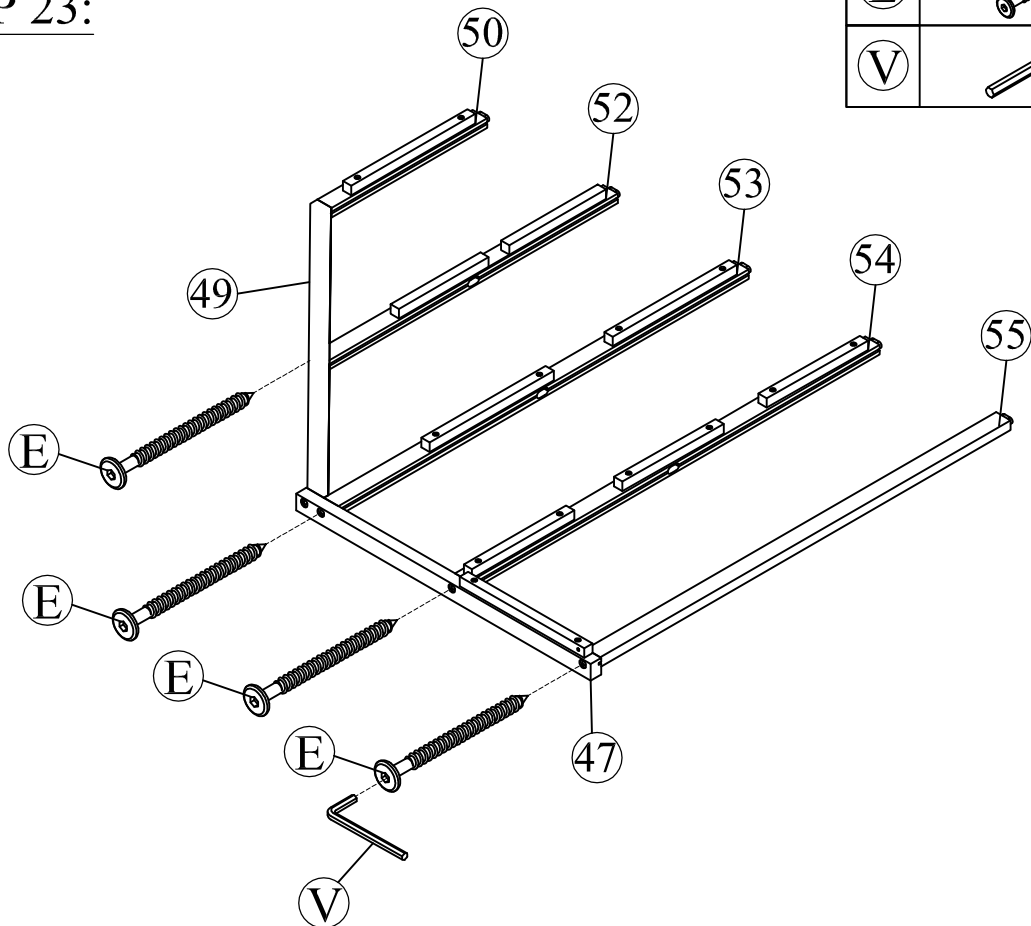
(A)		02	(H)		02
(G)		02	(V)		01



STEP 22:



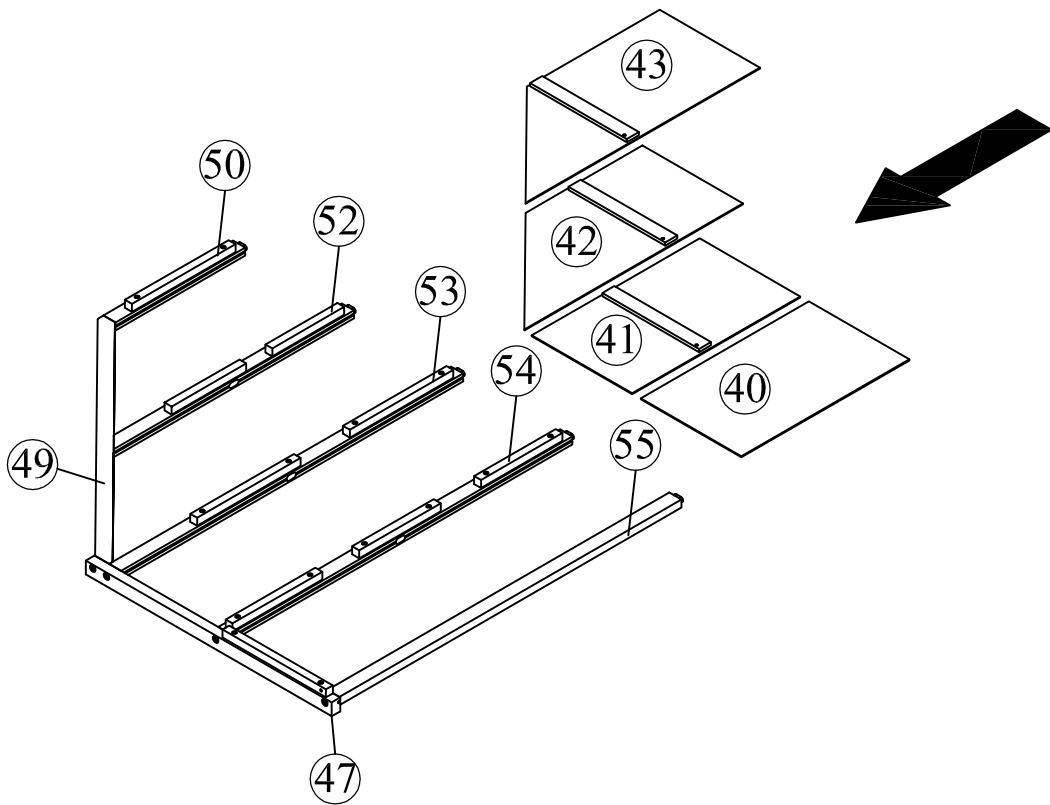
(E)		01
(I)		01
(V)		01

STEP 23:

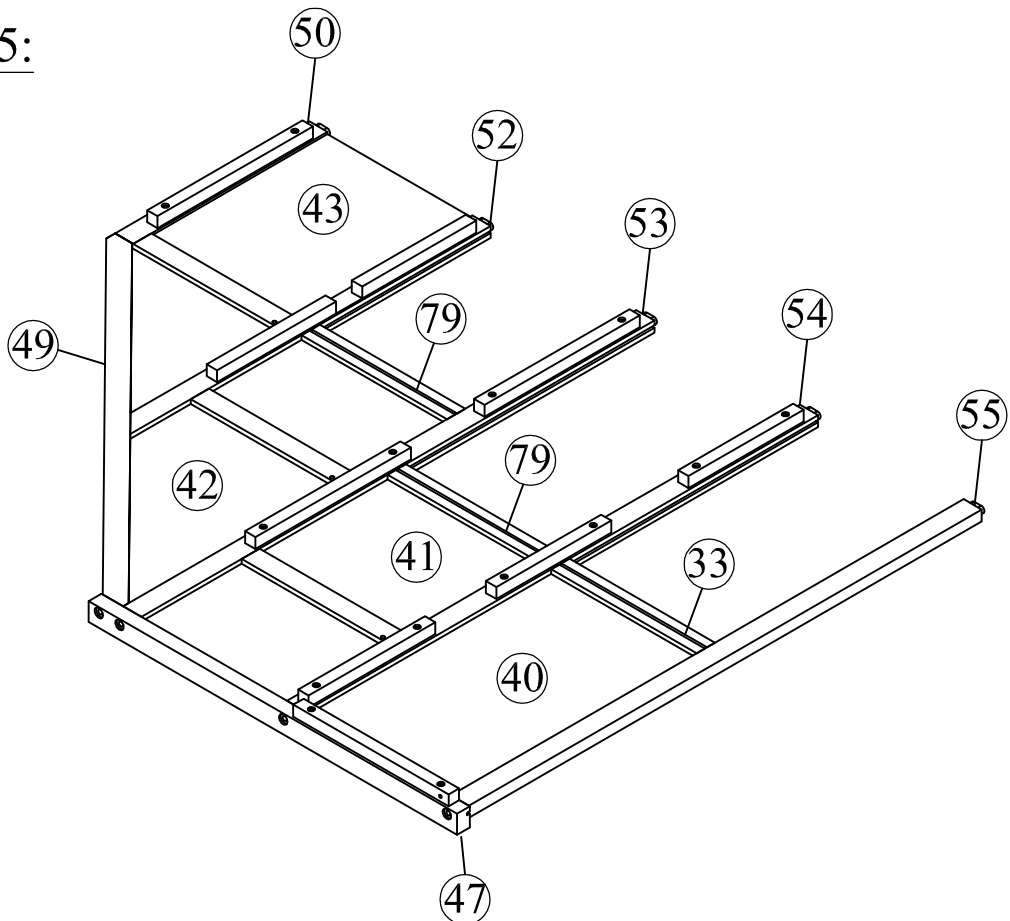


(E)		04
(V)		01

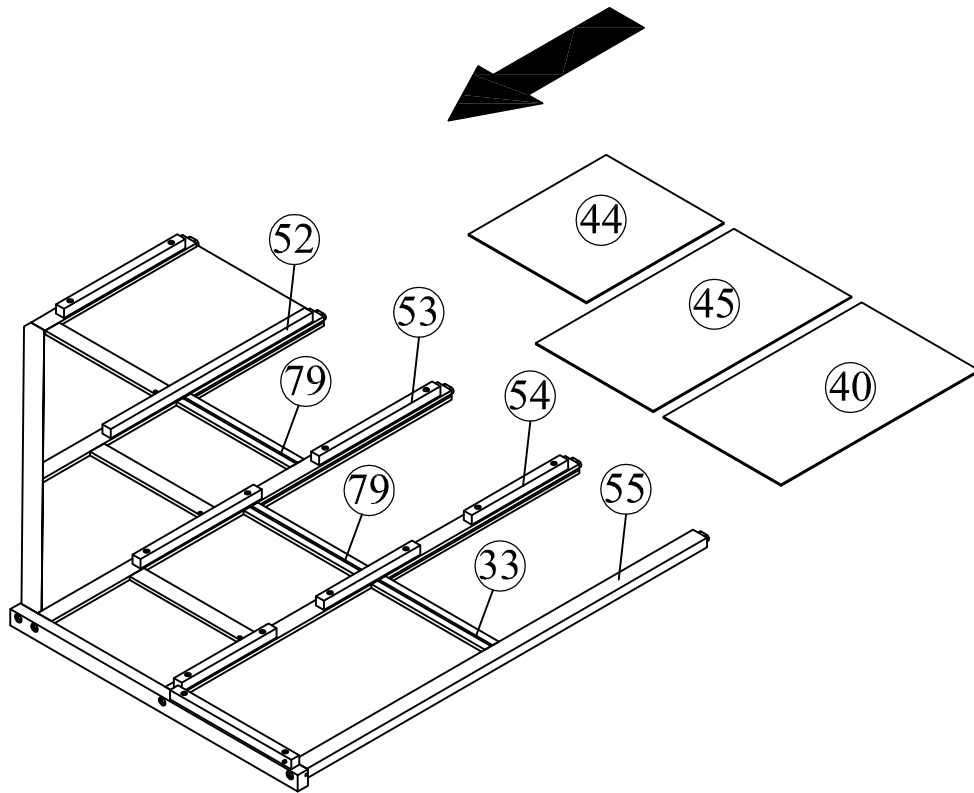
STEP 24:



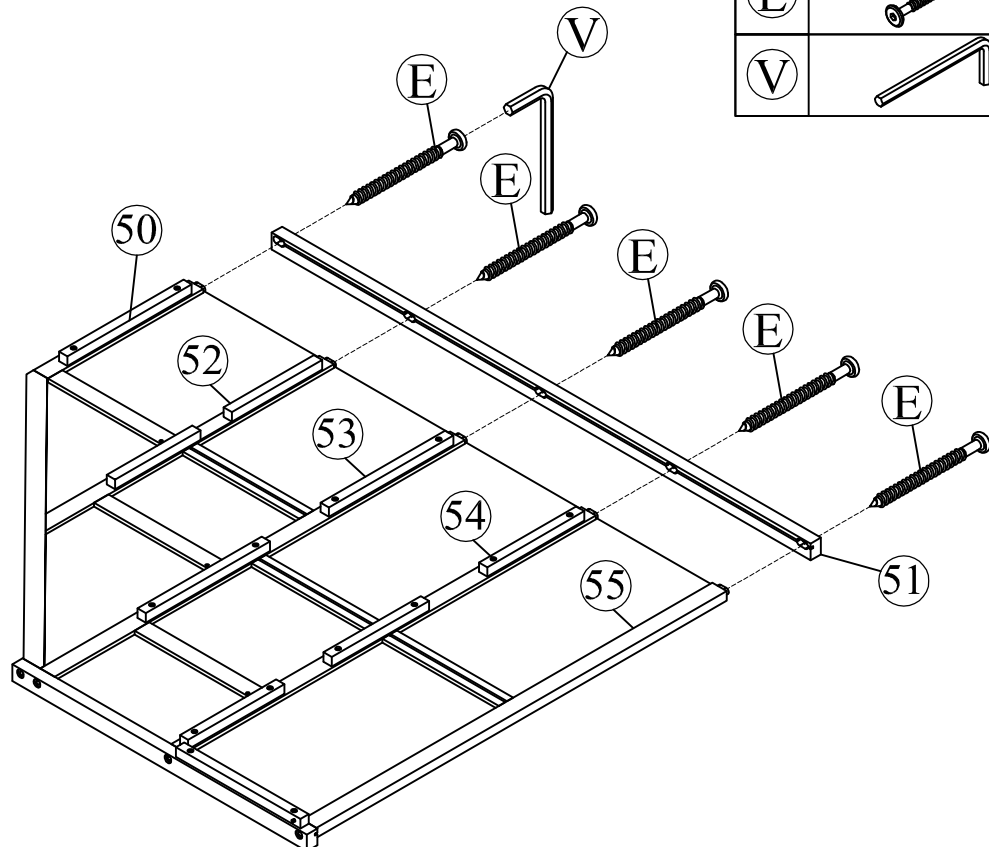
STEP 25:





STEP 26:





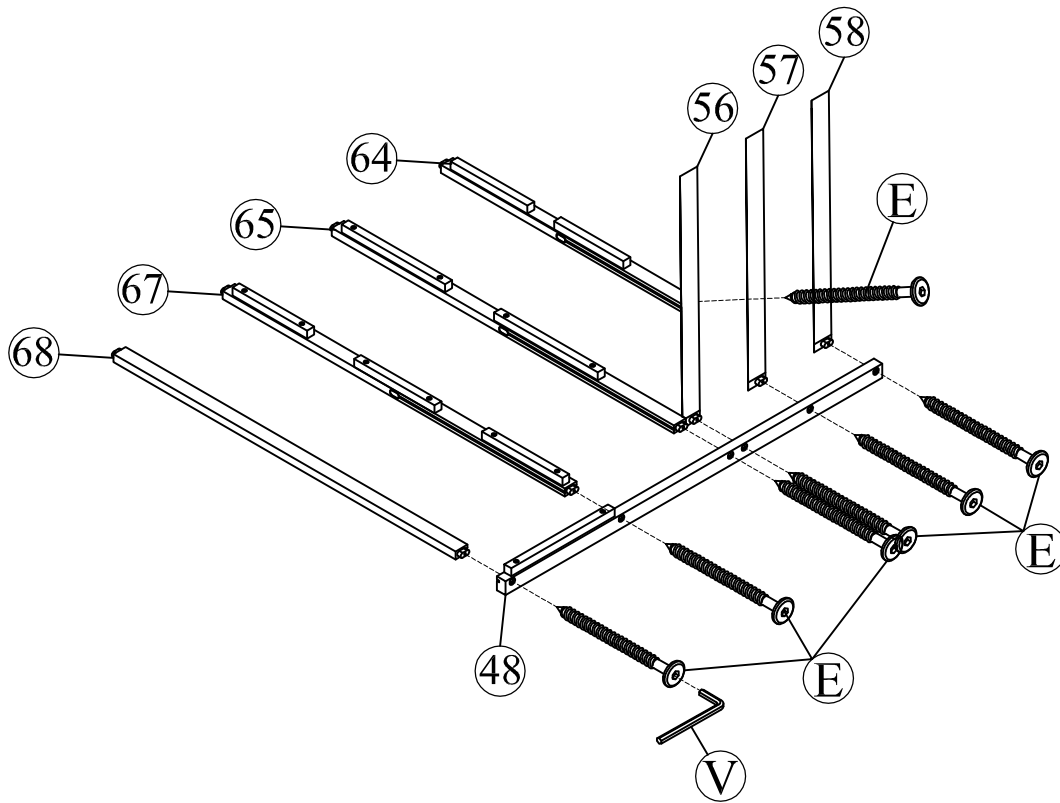
STEP 27:






(E)		05
(V)		01

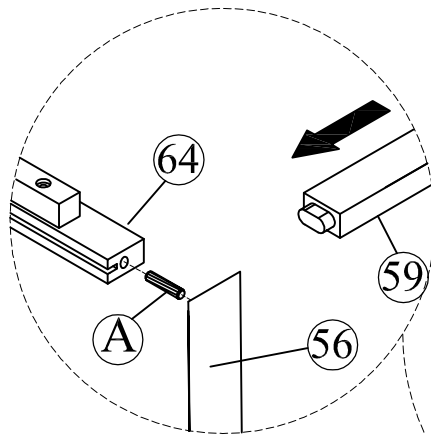
STEP 28:

(E)		07
(V)		01

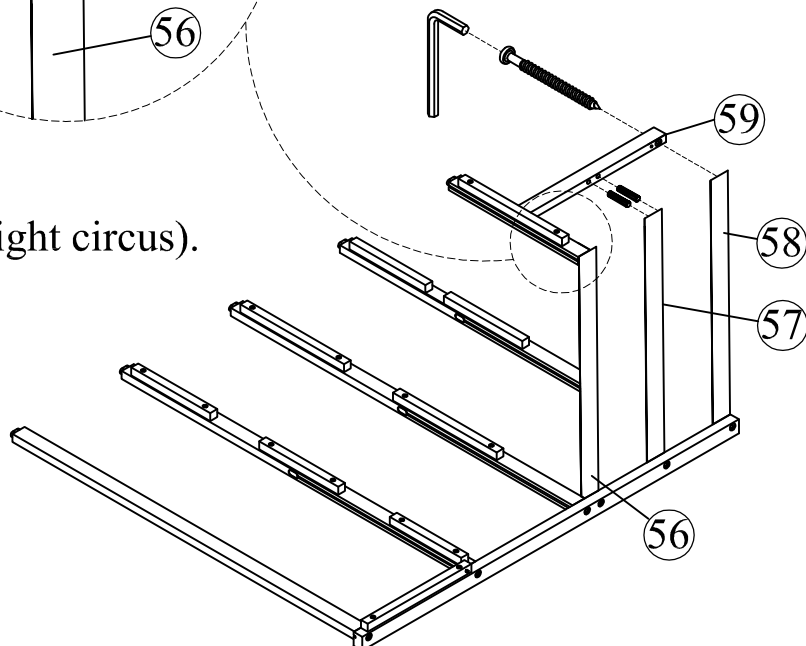


STEP 29:



(A)		03
(E)		01
(V)		01



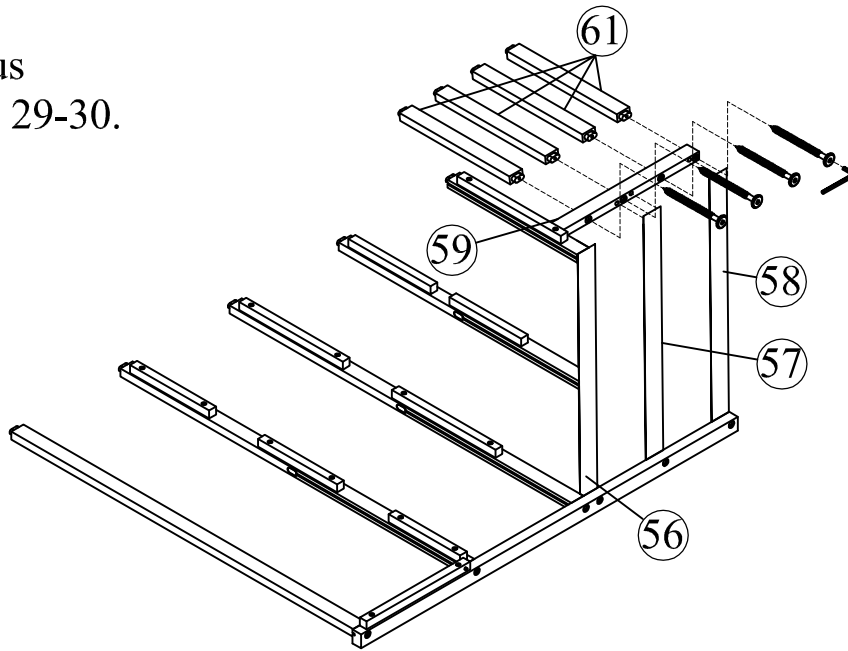
Fixed assembly (no tight circus).
To perform step 30.





STEP 30:

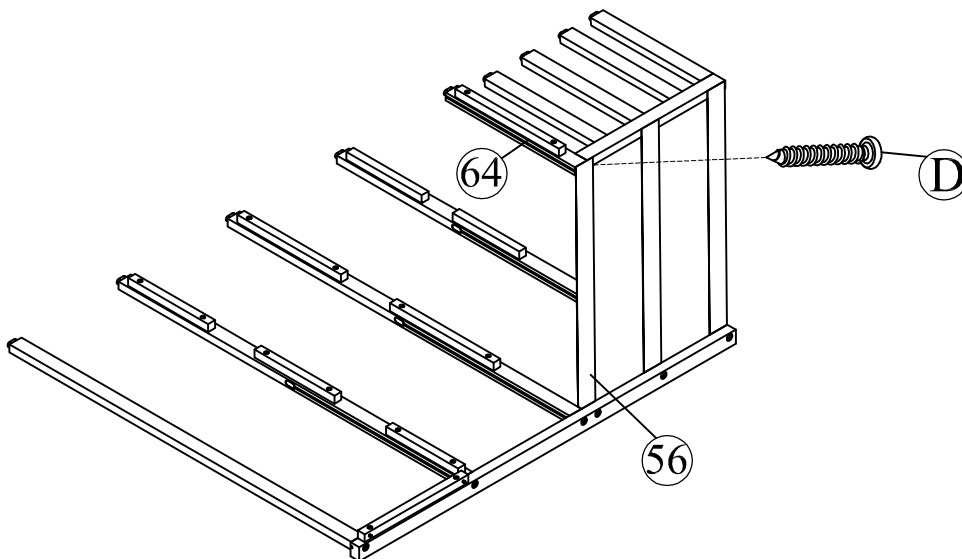
(E)		04
(V)		01

Tight circus
Both steps 29-30.

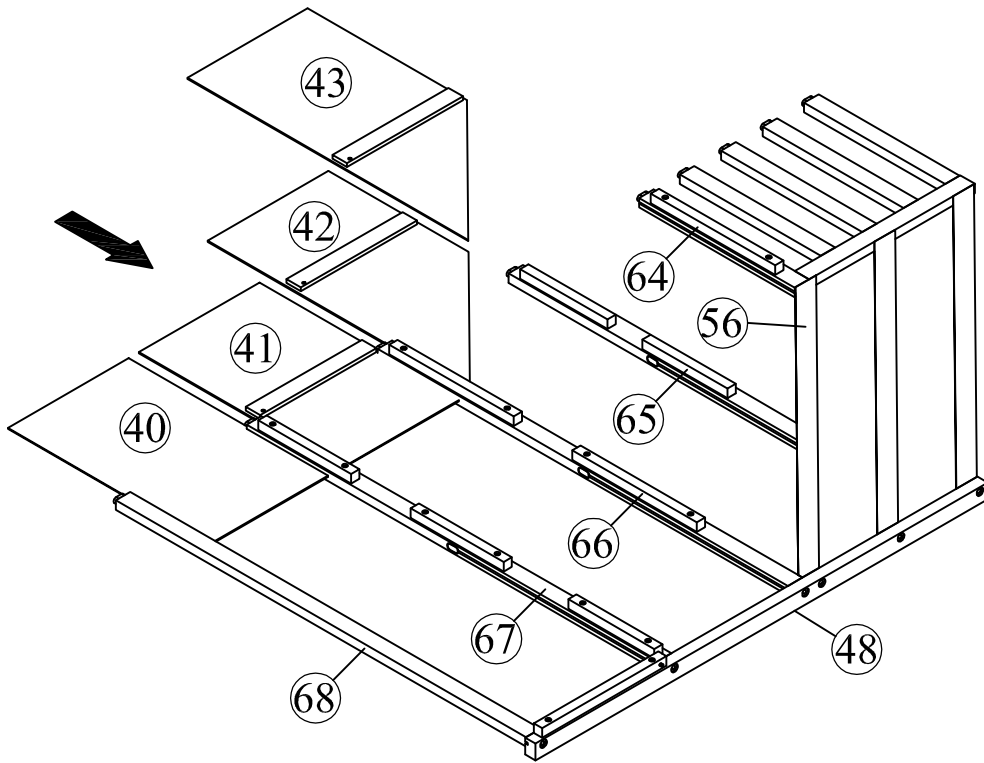


STEP 31:

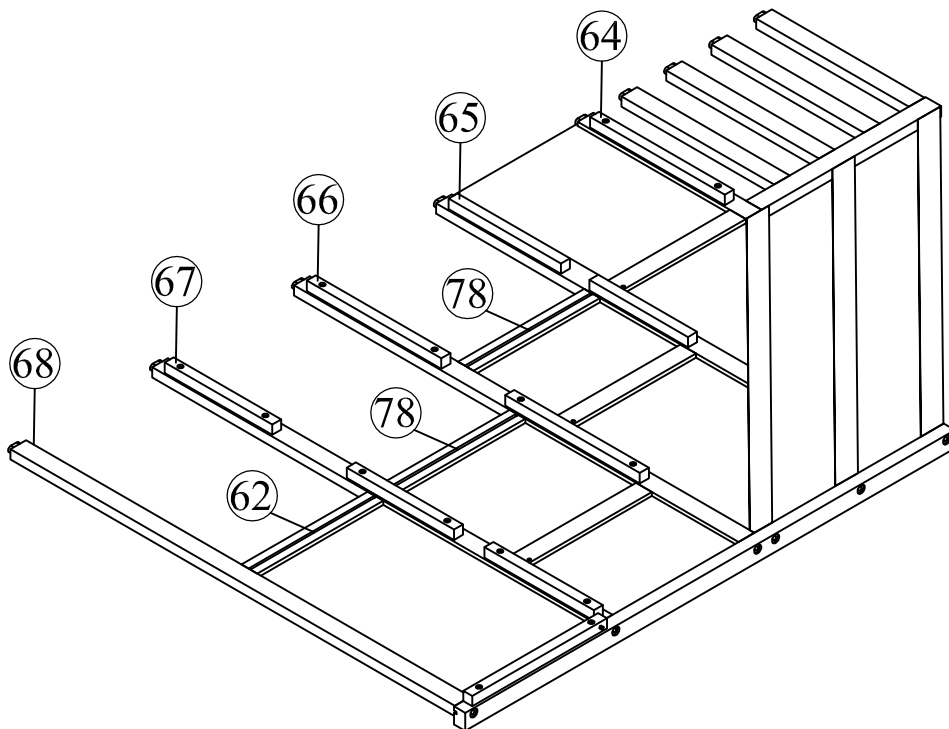
(D)		01
(V)		01





STEP 32:

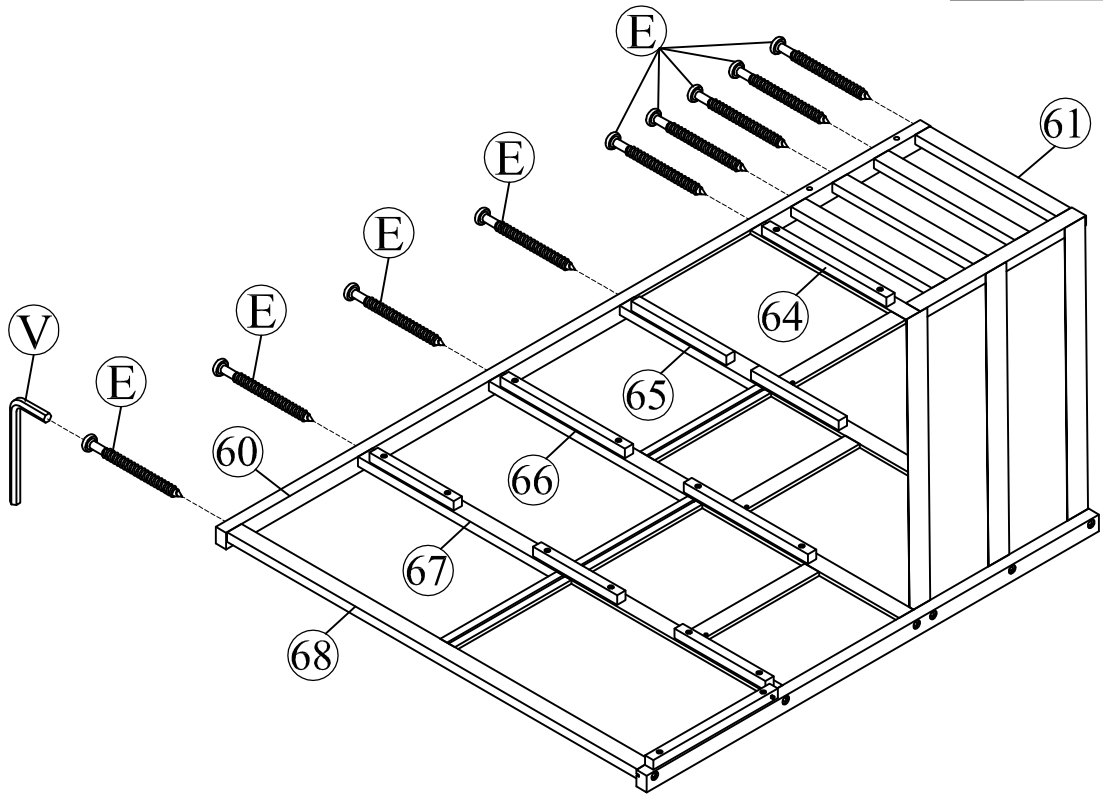


STEP 33:





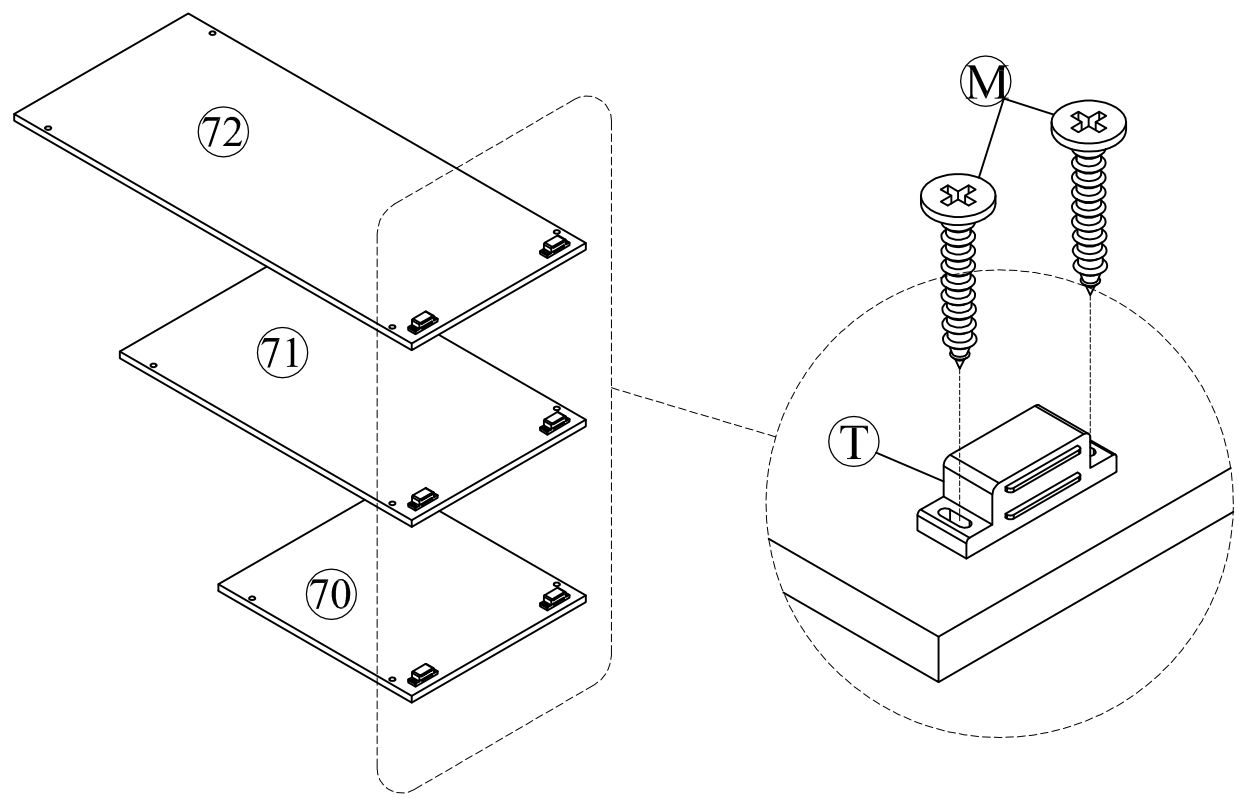
STEP 34:

(E)		09
(V)		01

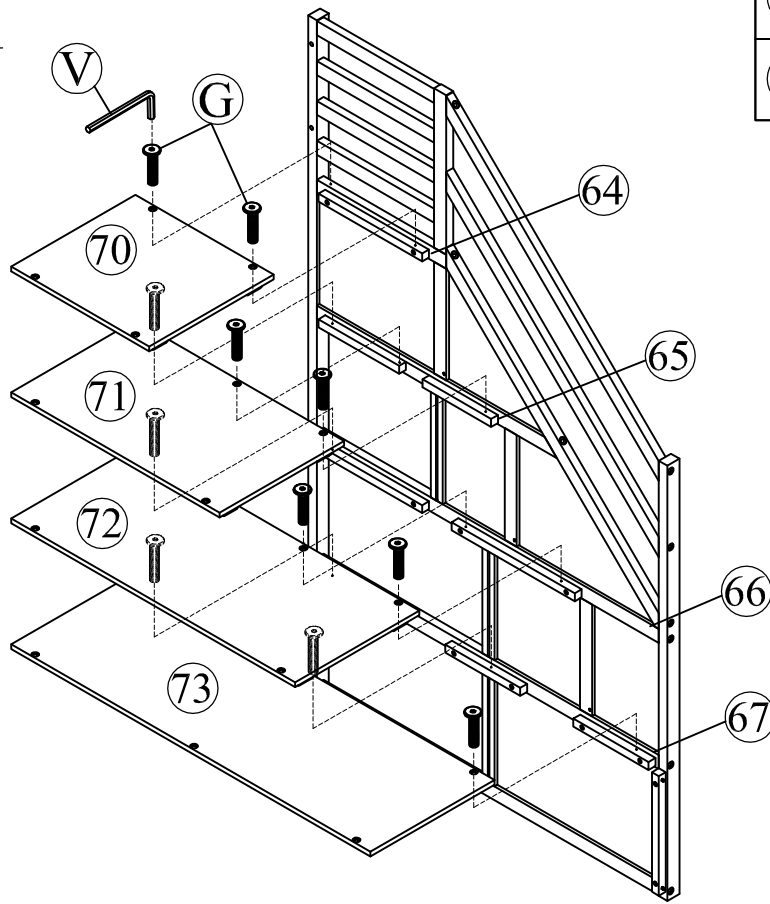




STEP 35:

(M)		12
(T)		06

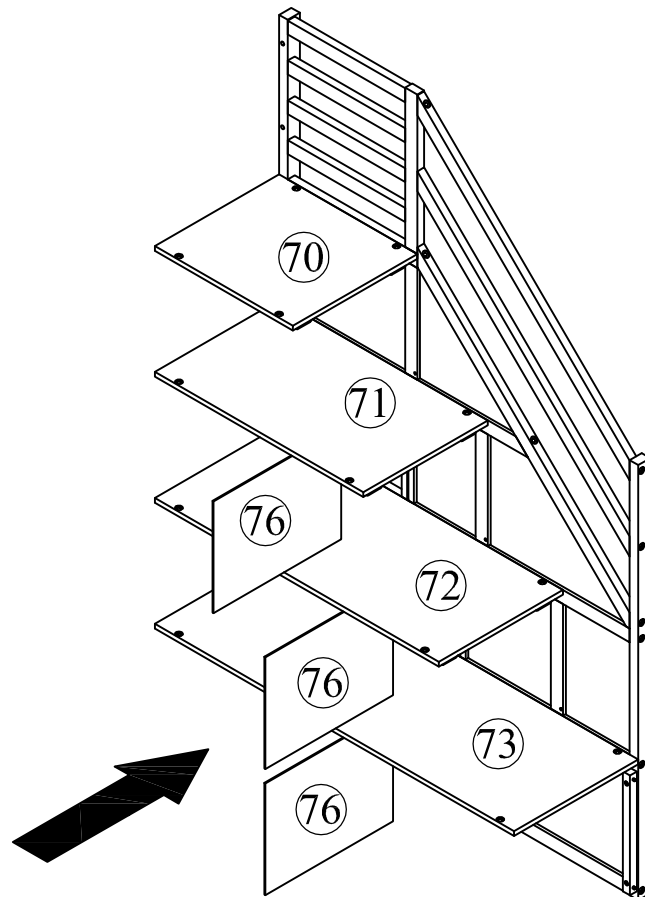


STEP 36:

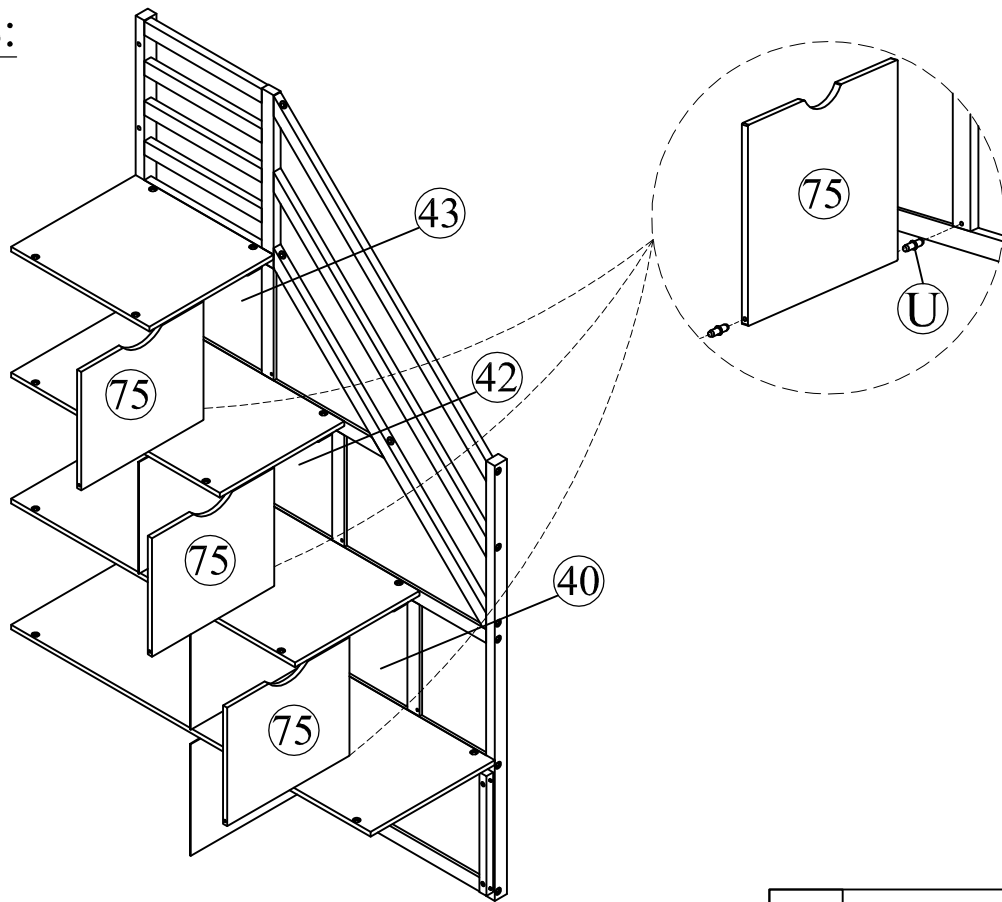


G		11
V		01

STEP 37:

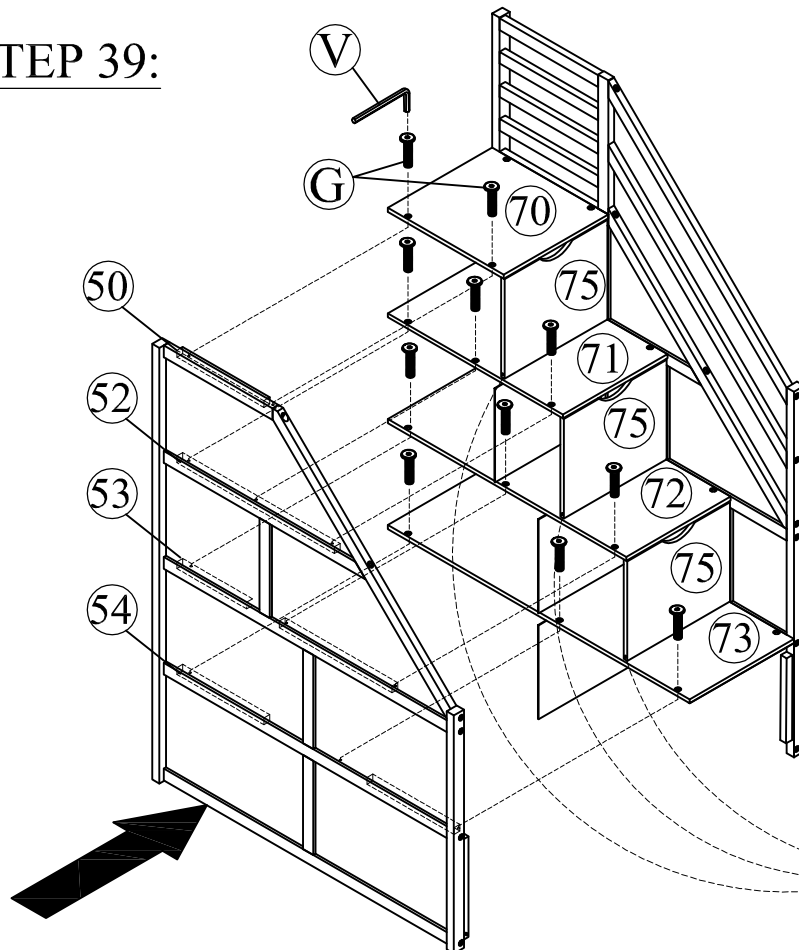


STEP 38:




U		03
---	--	----

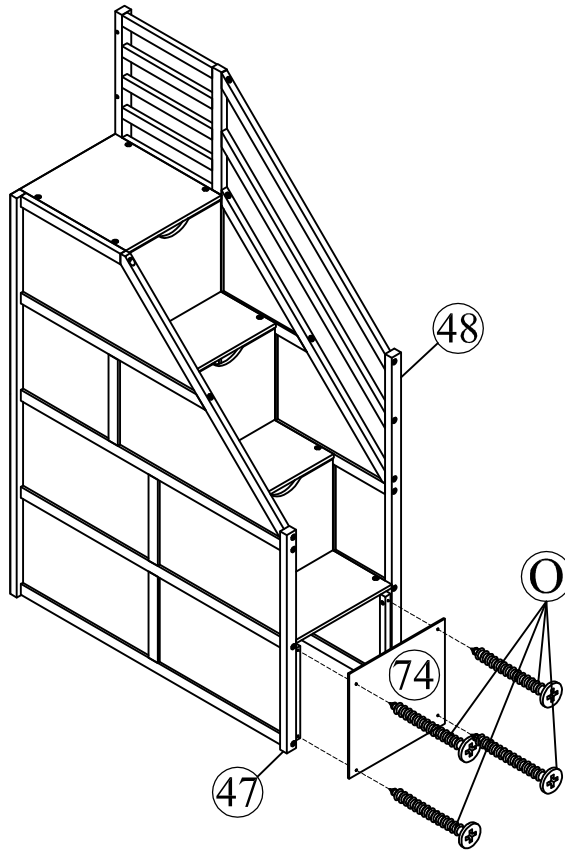
STEP 39:





G		11
U		03
V		01

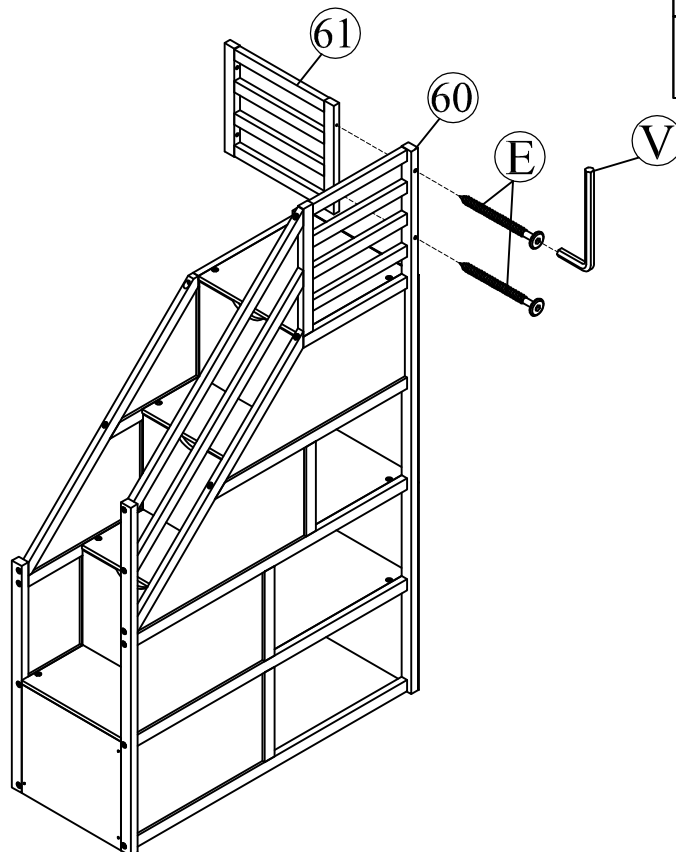
STEP 40:

⓪		04
---	---	----

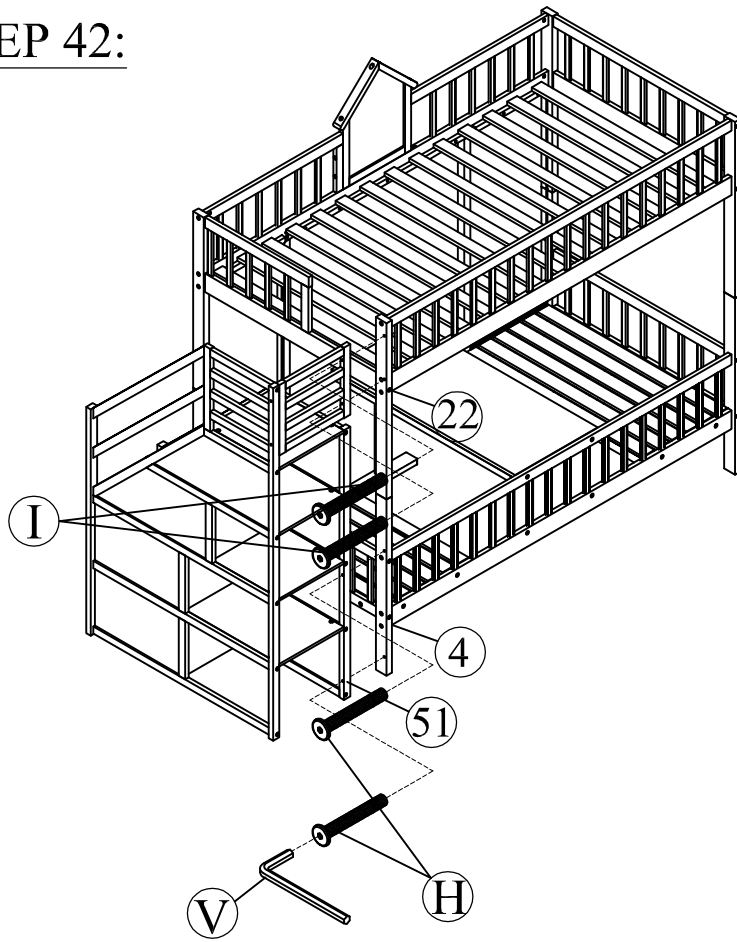





STEP 41:

ⓔ		02
Ⓥ		01

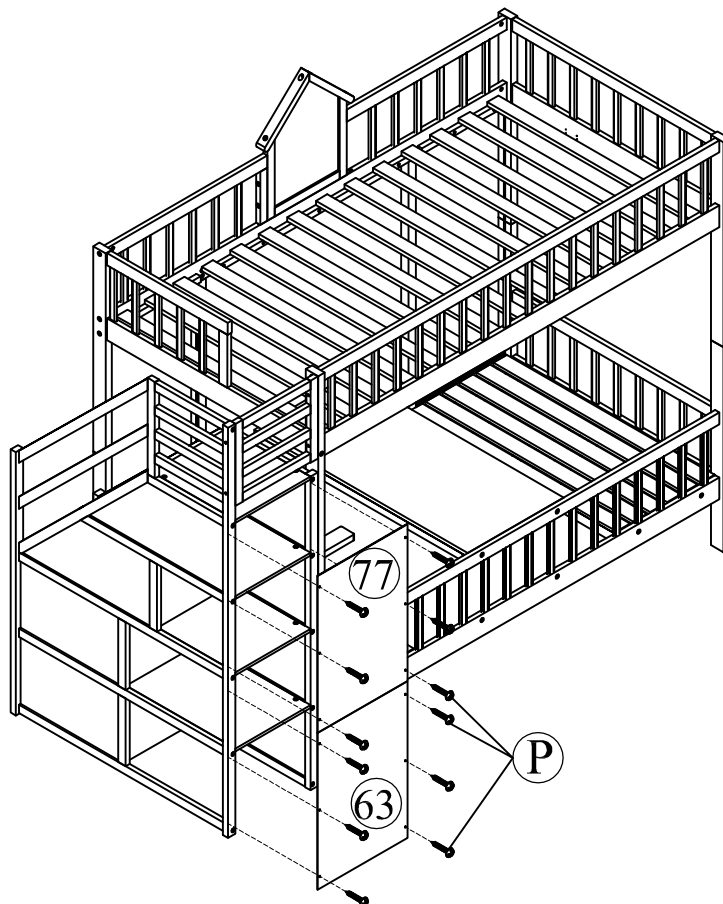



STEP 42:



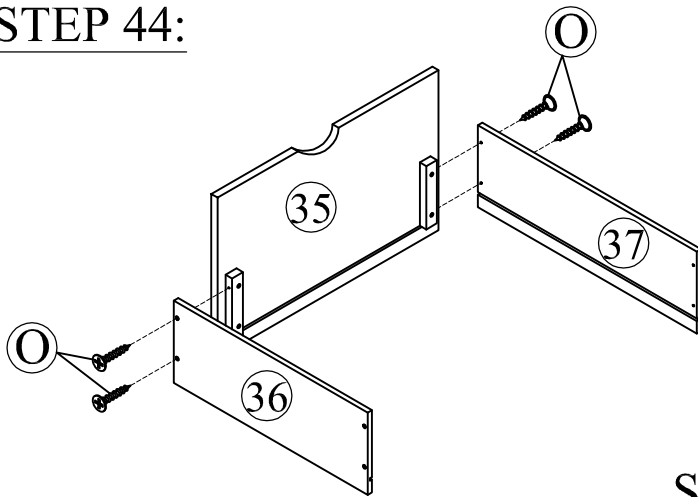
(H)		02
(I)		02
(V)		01

STEP 43:



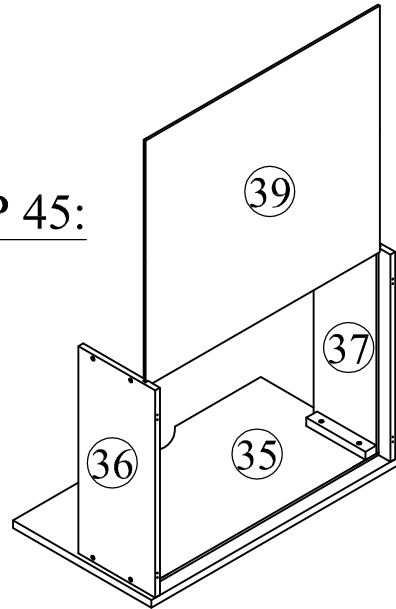
(P)		12
-----	---	----

STEP 44:

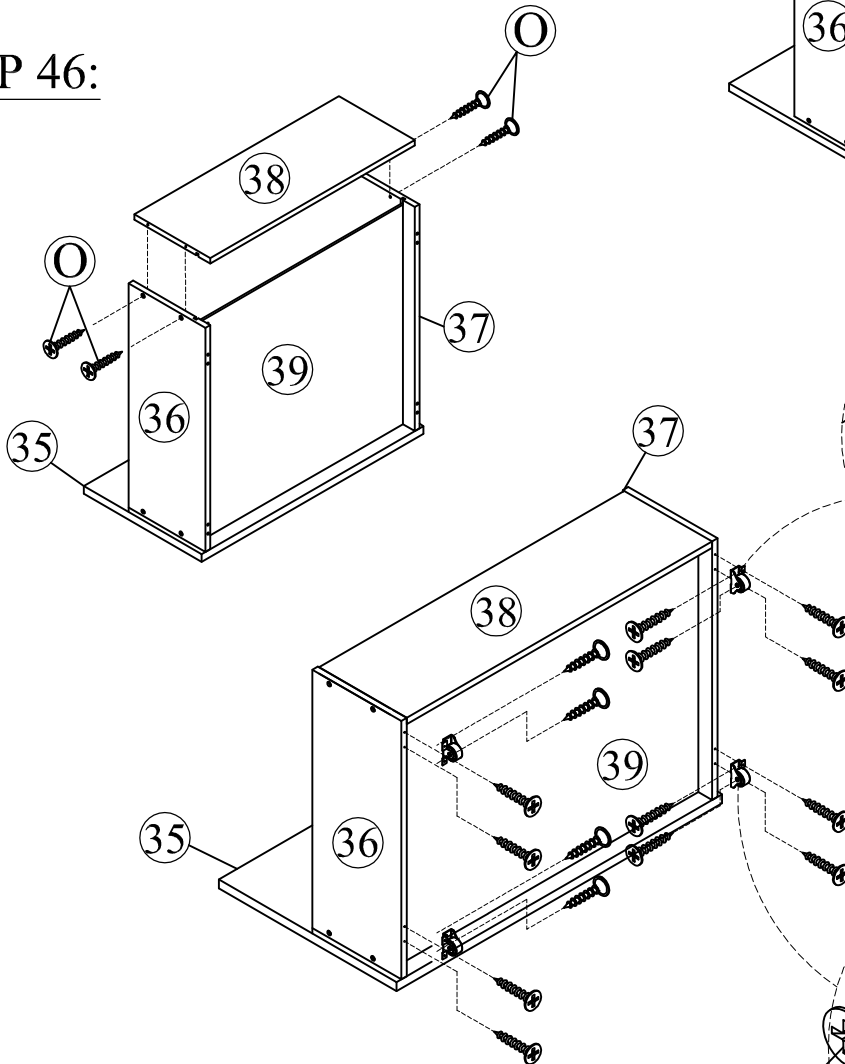


(M)		32
(O)		16
(R)		08

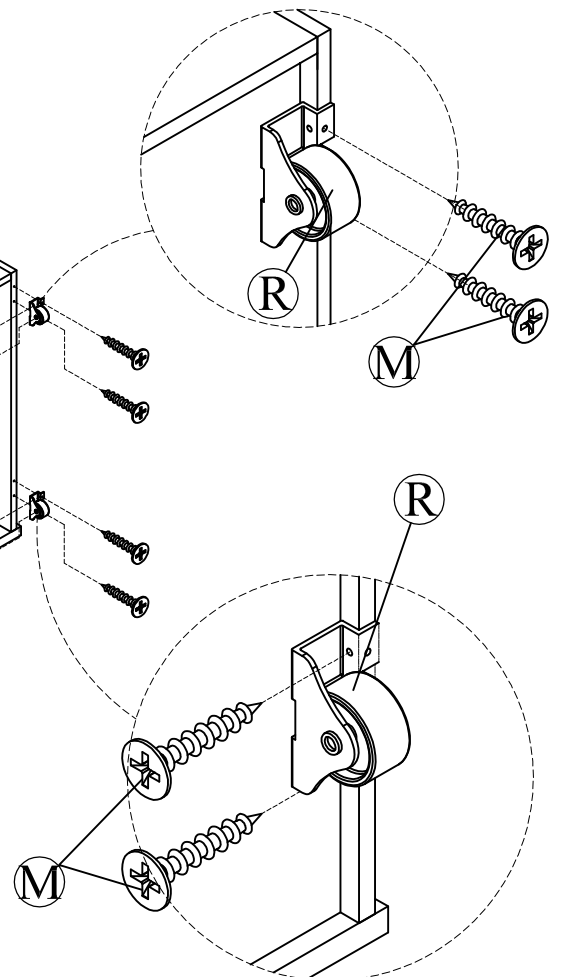
STEP 45:



STEP 46:

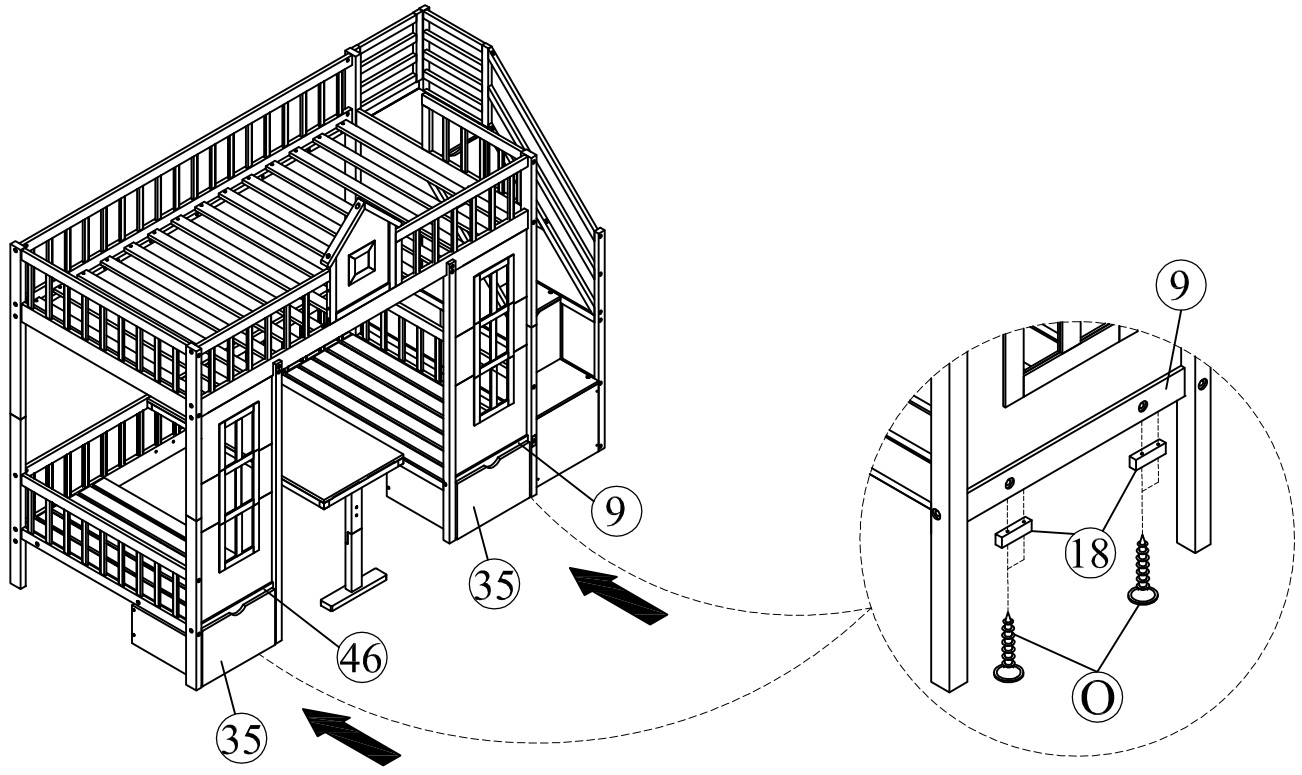


STEP 47:



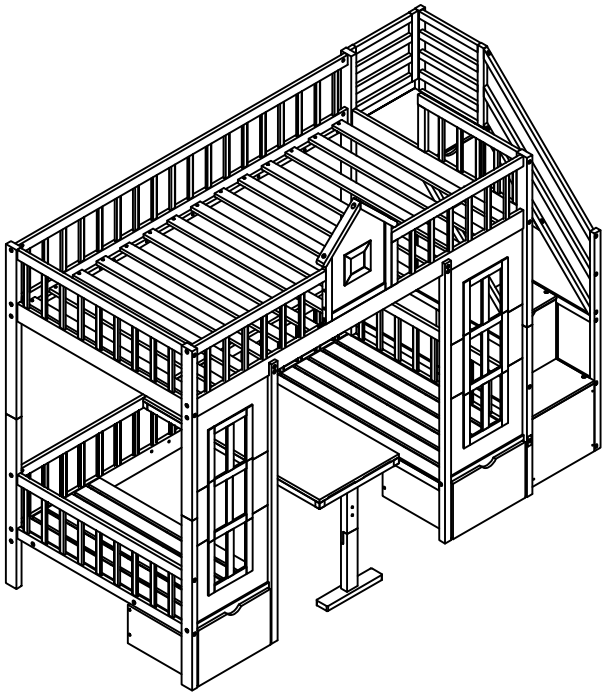
STEP 48:

O		08
---	---	----



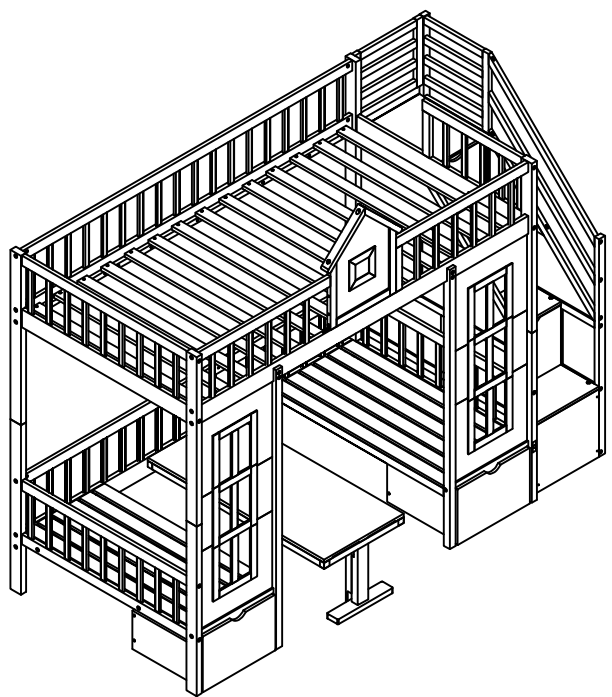
OPTION 1:

Rise to be the top of the table.



OPTION 2:

Lower to the bed.
Use mattress(es) Full standard thickness 8".



FINAL:

