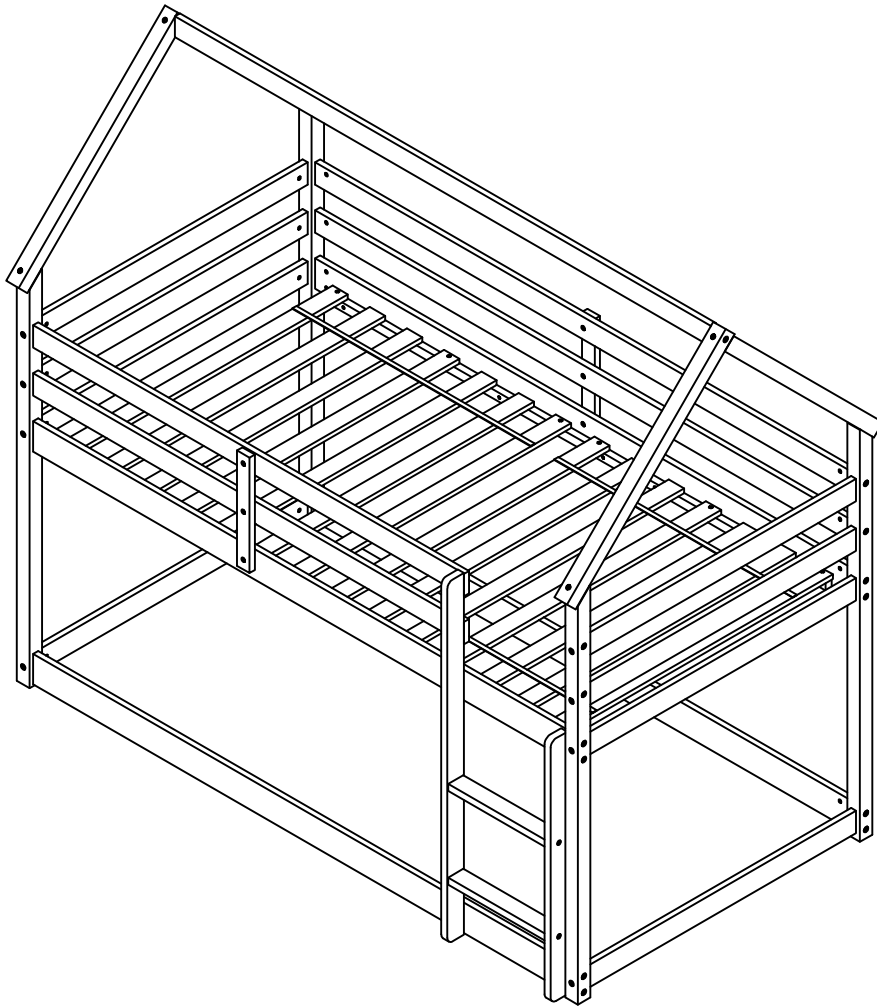


ASSEMBLY INSTRUCTIONS

TREE HOUSE TWIN BED



DN11731



SAFETY WARNING



1. This bed is designed for use only mattress (es) meeting the following specifications on the upper bunk, and lower bunk:

Down bed

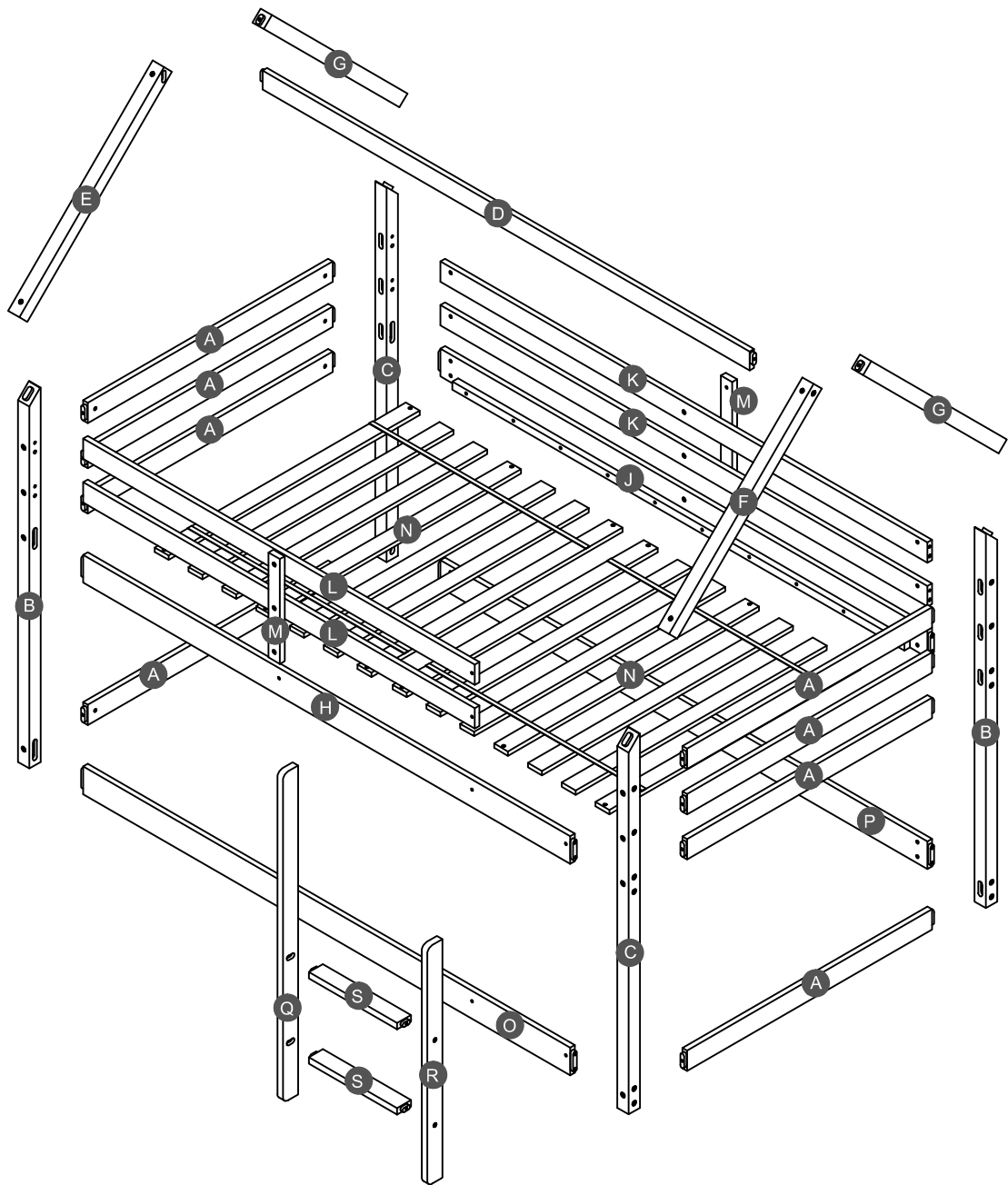
Bed type	Length	Width	Thickness
Twin Standard	74"-75"	38 1/2"	8" max

Up bed (Bunk bed and tribed included)

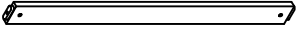
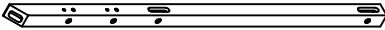
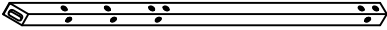

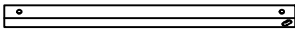
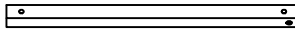
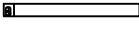
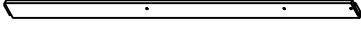
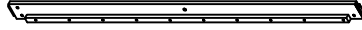

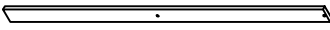
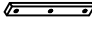
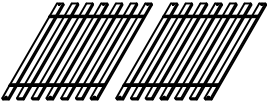

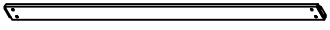
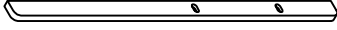
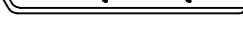
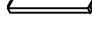
Bed type	Length	Width	Thickness
Twin Standard	74"-75"	38 1/2"	6" max

2. Replacement parts, including additional guardrails, maybe obtained from any of our FREIGHTMAN EC CO.,LTD.
3. Follow the information on the warnings appearing on the upper bunk bed end structure and on the carton. Do not remove warning label from bed.
4. Always use the recommended size mattresses or mattress supports, or both, to help prevent the likelihood of entrapment or falls.
5. Surface of mattress must be at least 5" (127mm) below the upper edge of guardrails.
6. Do not allow children under 6 years of age to use the upper bunk.
7. Periodically check and ensure that the guardrail, ladder, and other components are in their proper position, free from damage, and that all connectors are tight.
8. Do not allow horseplay on or under the bed and prohibit jumping on the bed.
9. Always use the ladder for entering and leaving the upper bunk.
10. Do not use substitute part. Contact the manufacture or dealer for replacement part.
11. Use of a night light may provide added safety precaution for a child using the upper bunk.
12. Always use guardrails on both long sides of the upper bunk. If the bunk bed will be placed next to the wall, the guardrail that runs the full length of the bed should be placed against the wall to prevent entrapment between the bed and wall.
13. The use of water or sleep flotation mattresses is prohibited.
14. STRANGULATION HAZARD - Never attach or hang items to any part of the bunk bed that are not designed for use with the bed; for example, but not limited to, hook, belts and jump ropes.
15. Keep these instruction for future reference.

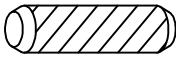

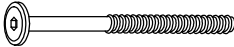
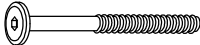
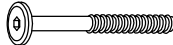



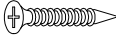

Detail View



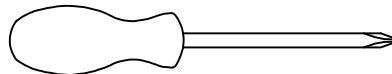
Part List

A  Horizontal bar HB/FB - 8pcs	B  Leg (Left Front/Right Back) - 2pcs	C  Leg (Left Back/Right Front) - 2pcs
D  Upper horizontal - 1pc	E  Upper (Left Front) - 1pc	F  Upper (Right Front) - 1pc
G  Upper (Back) - 2pcs	H  Upper side rail (Front)- 1pc	J  Upper side rail (Back)- 1pc
K  Long guard rail (Back) - 2pcs	L  Short guard rail (Front) - 2pcs	M  Vertical guard rail - 2pcs
N  Slat - 2set = 14 pcs	O  Lower side rail (Front)- 1pc	P  Lower side rail (Back)- 1pc
Q  Left side ladder - 1pc	R  Right side ladder - 1pc	S  Step ladder - 2pcs

Hardware List




1  Ø10*40mm Wood dowel (6pcs)	2  (Ø12)1/4"*65mm Hex-Head bolts (6pcs)	3  (Ø15)1/4"*100mm Hex-Head bolts (24pcs)
4  (Ø15)1/4"*80mm Hex-Head bolts (16pcs)	5  (Ø12)1/4"*60mm Hex-Head bolts (4pcs)	6  (Ø12)1/4"*40mm Hex-Head bolts (6pcs)
7  (Ø12)1/4"*30mm Hex-Head bolts (6pcs)	8  1/4"*15 (9.5mm) Horizontal-Hole bolts(44pcs)	9  Ø4*30mm Wood screws (12pcs)
10  (1/4")4.5*58mm Allen key (1pc)		

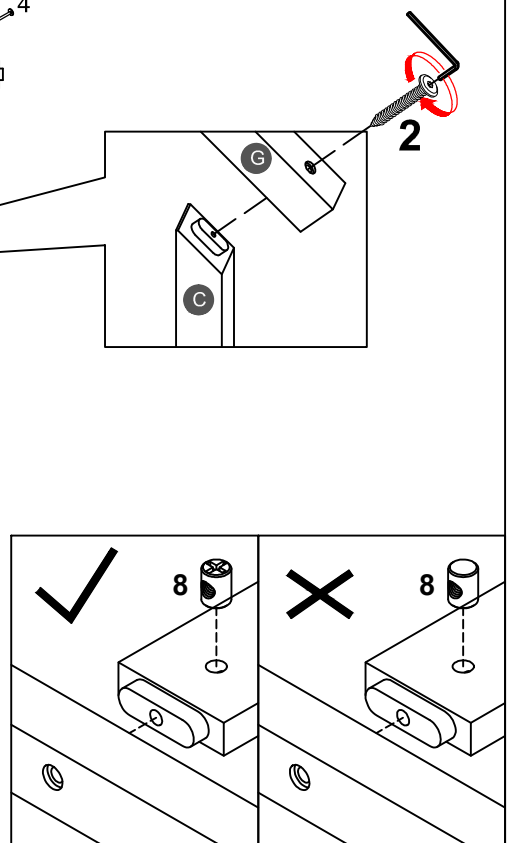
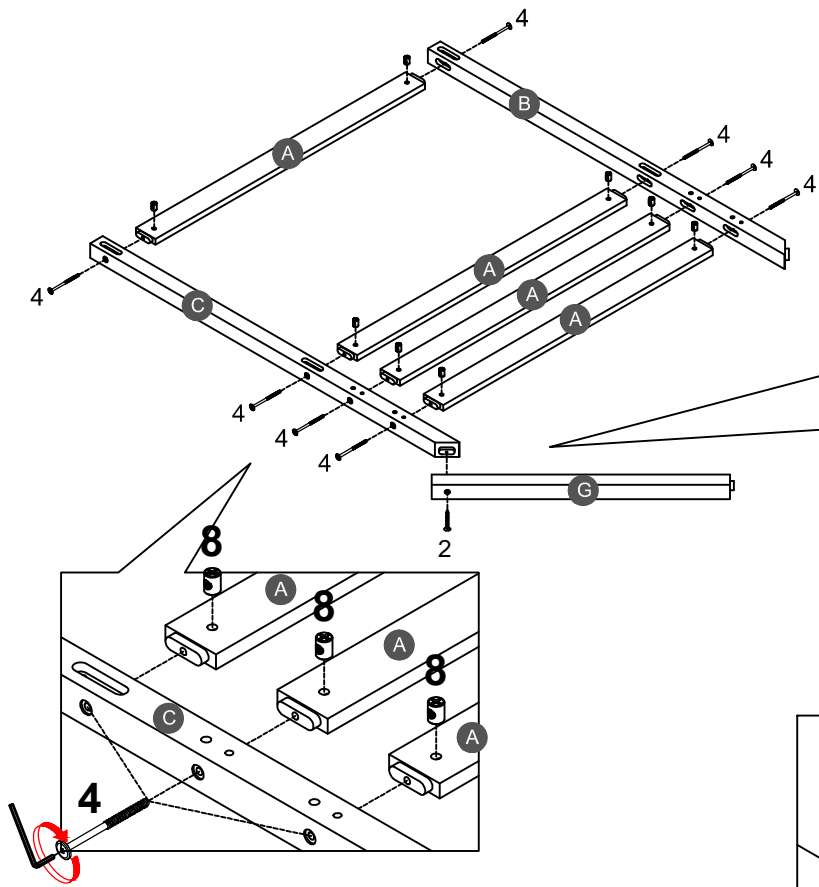
ASSEMBLY TOOLS REQUIRED (NOT INCLUDED)



PLEASE BE CAREFUL DO NOT DAMAGE THE HOLE POSITION WHEN YOU USE POWER TOOLS !


STEP 1:

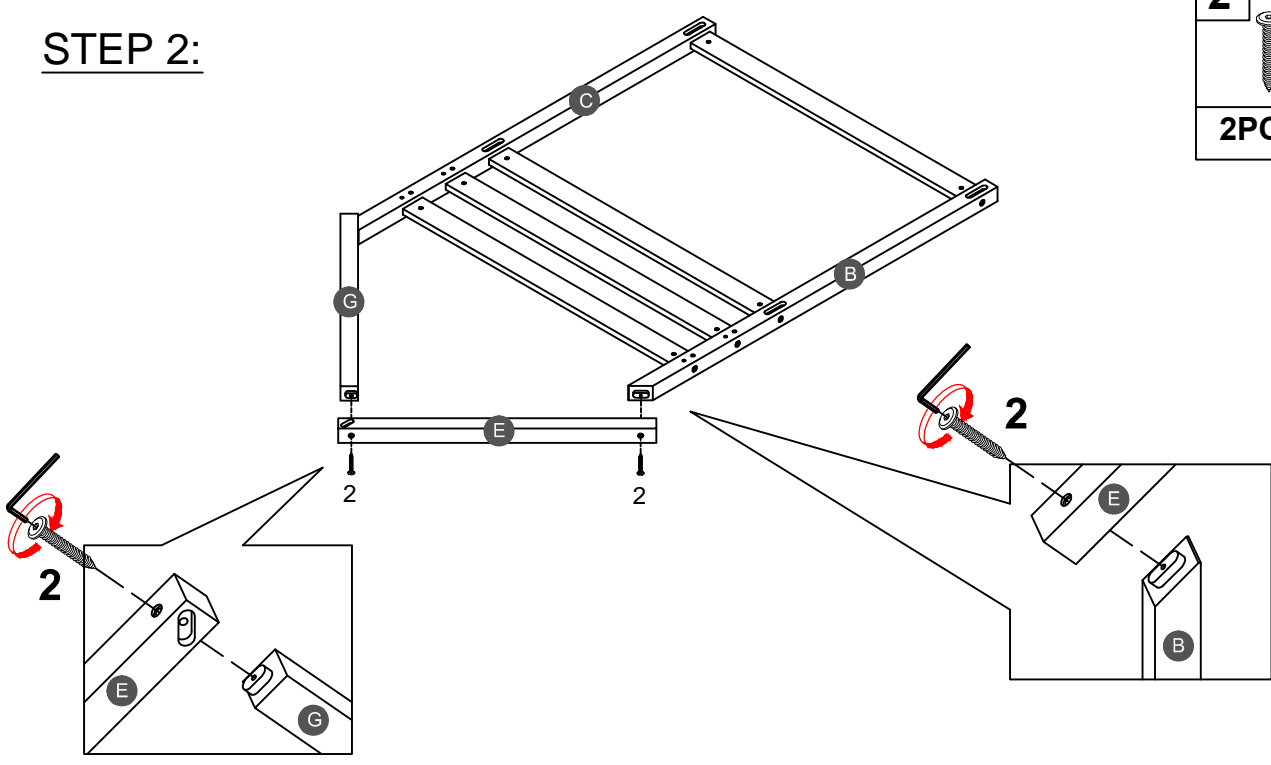
2	4	8
		
1PC	8PCS	8PCS






Note: Part 8 will face up with the "x" mark on it, otherwise it cannot be tightened

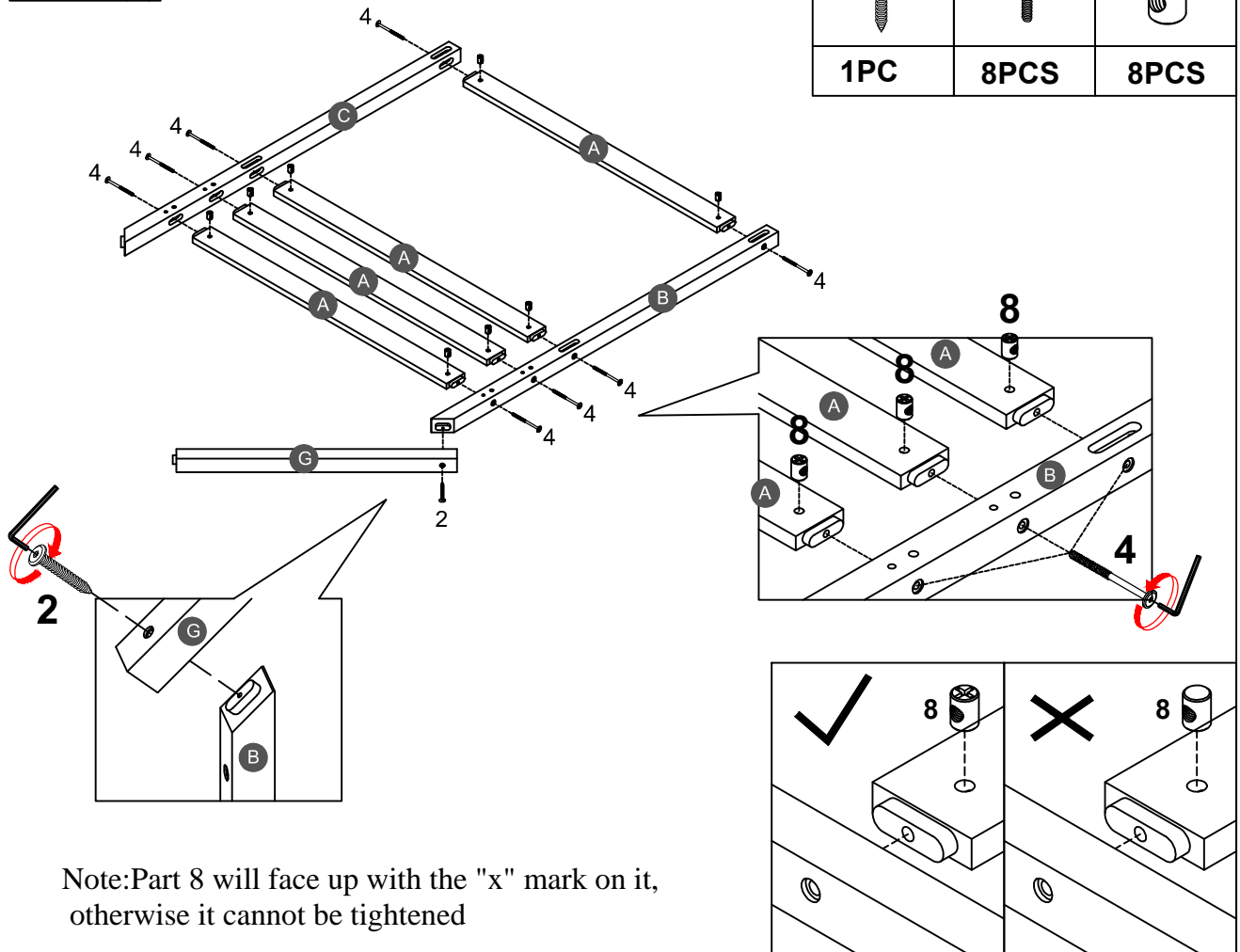
STEP 2:

2

2PCS




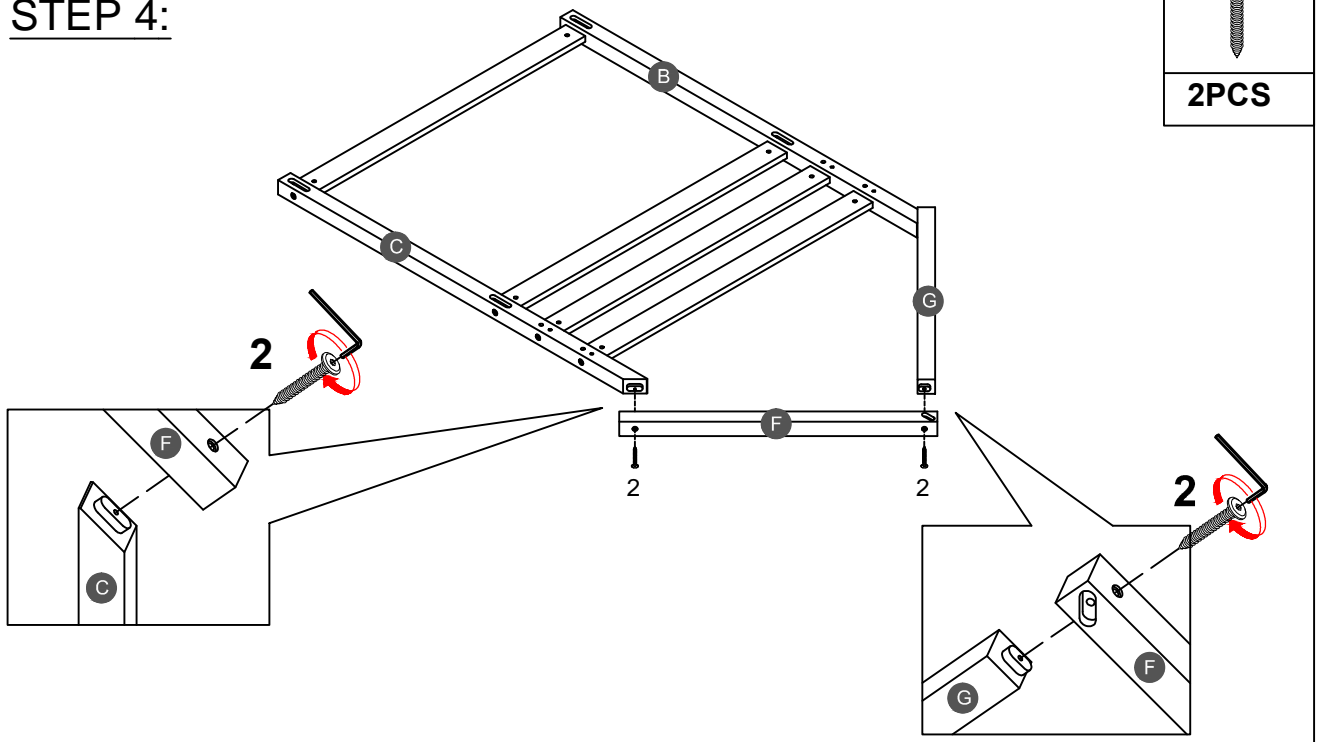
STEP 3:

2	4	8
		
1PC	8PCS	8PCS



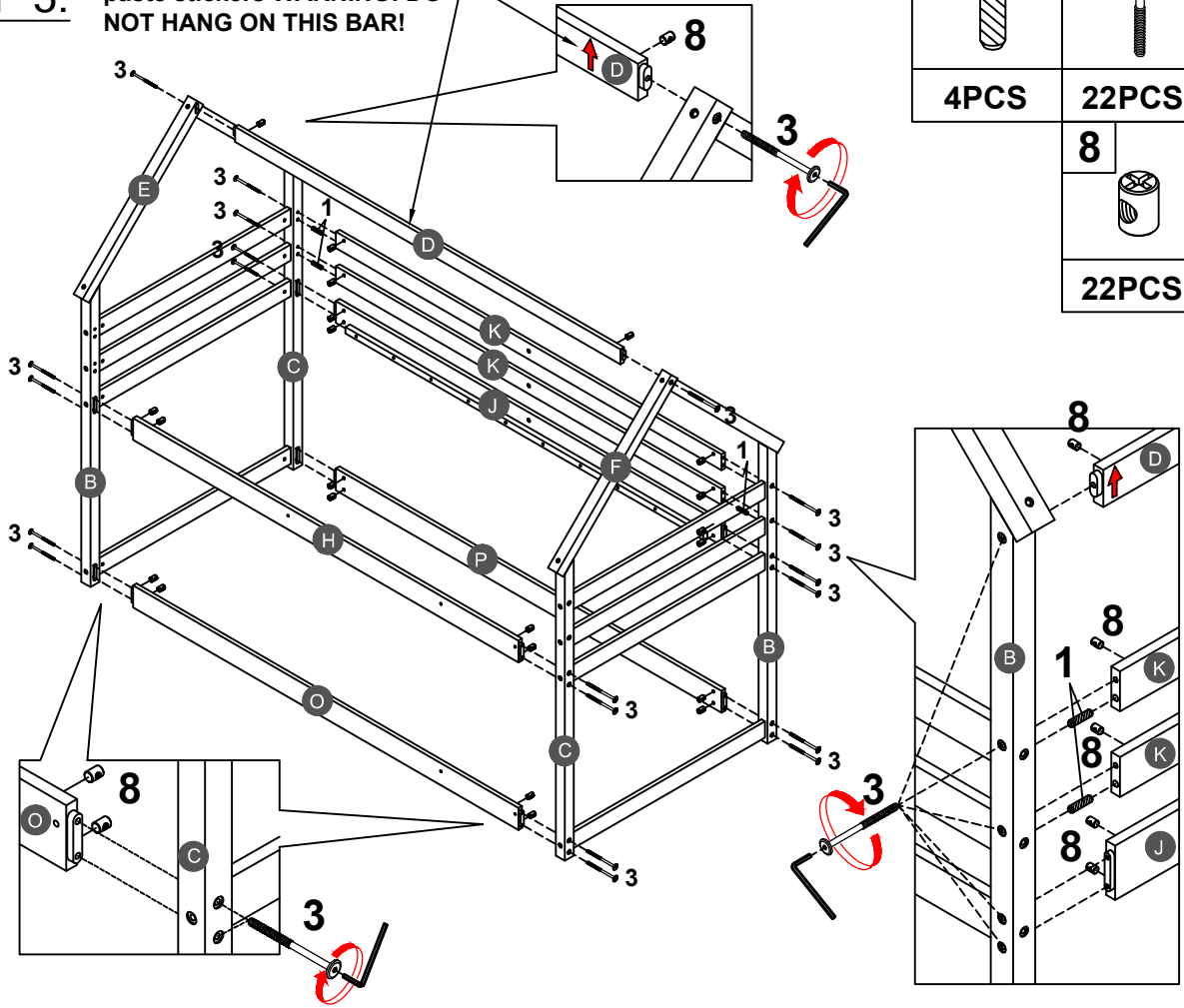
STEP 4:




2

2PCS



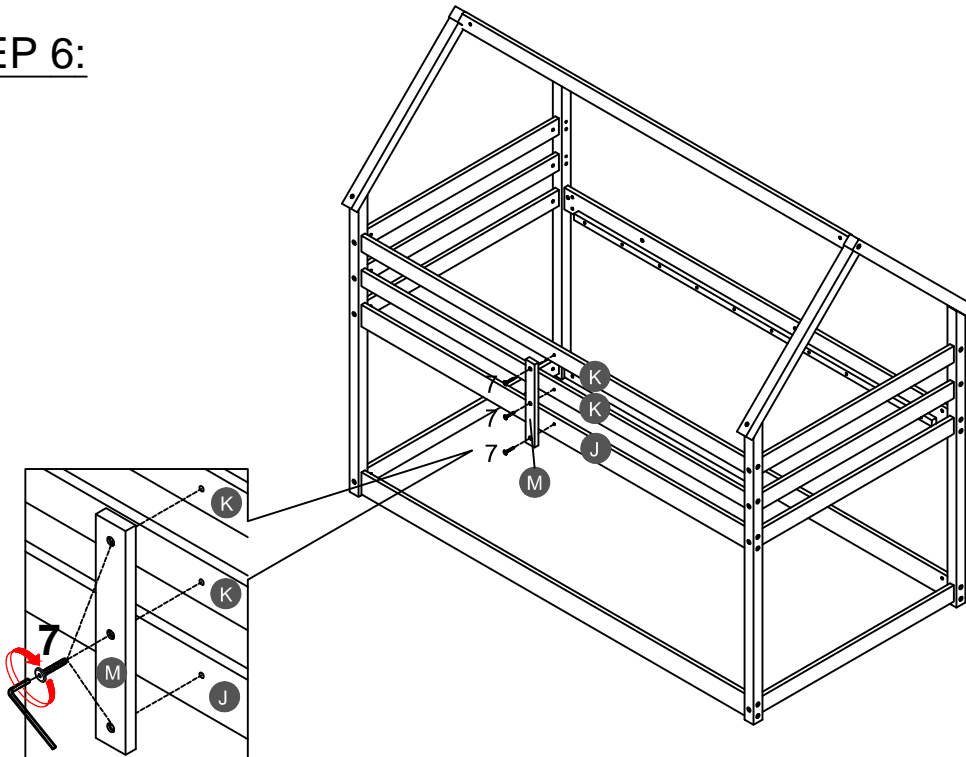
STEP 5:


Remark: Upper horizontal
paste stickers **WARNING: DO
NOT HANG ON THIS BAR!**







1		3	
4PCS		22PCS	
		8	
		22PCS	

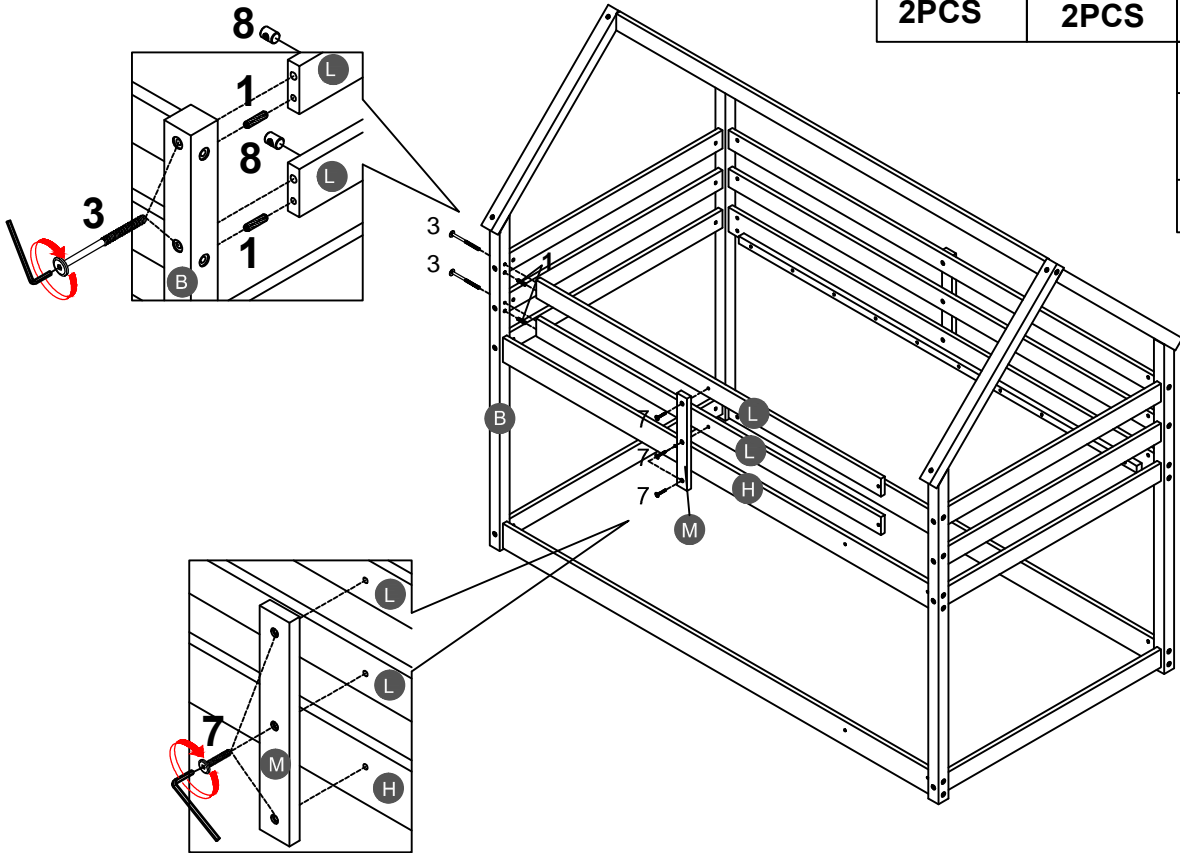
STEP 6:





7	
3PCS	

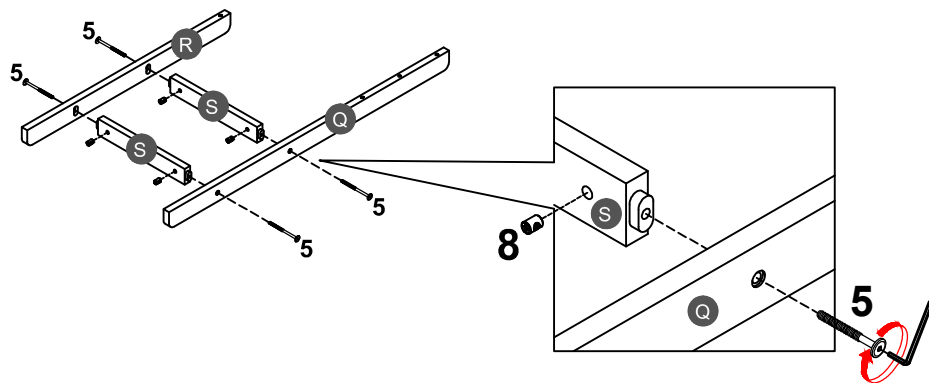
STEP 7:

1 	3 	8 
2PCS	2PCS	2PCS
		7 
		3PCS



STEP 8:

5 	8 
4PCS	4PCS

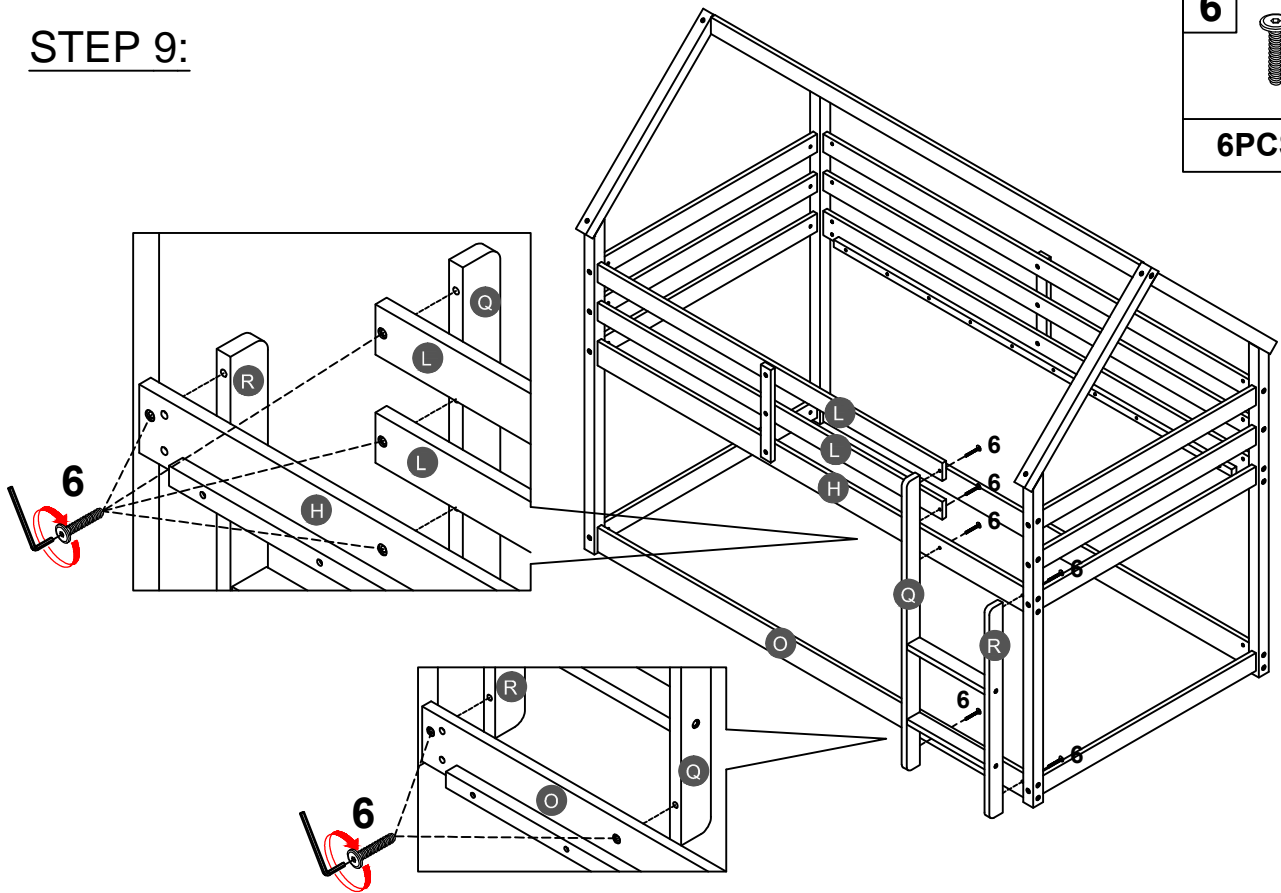


STEP 9:

6



6PCS

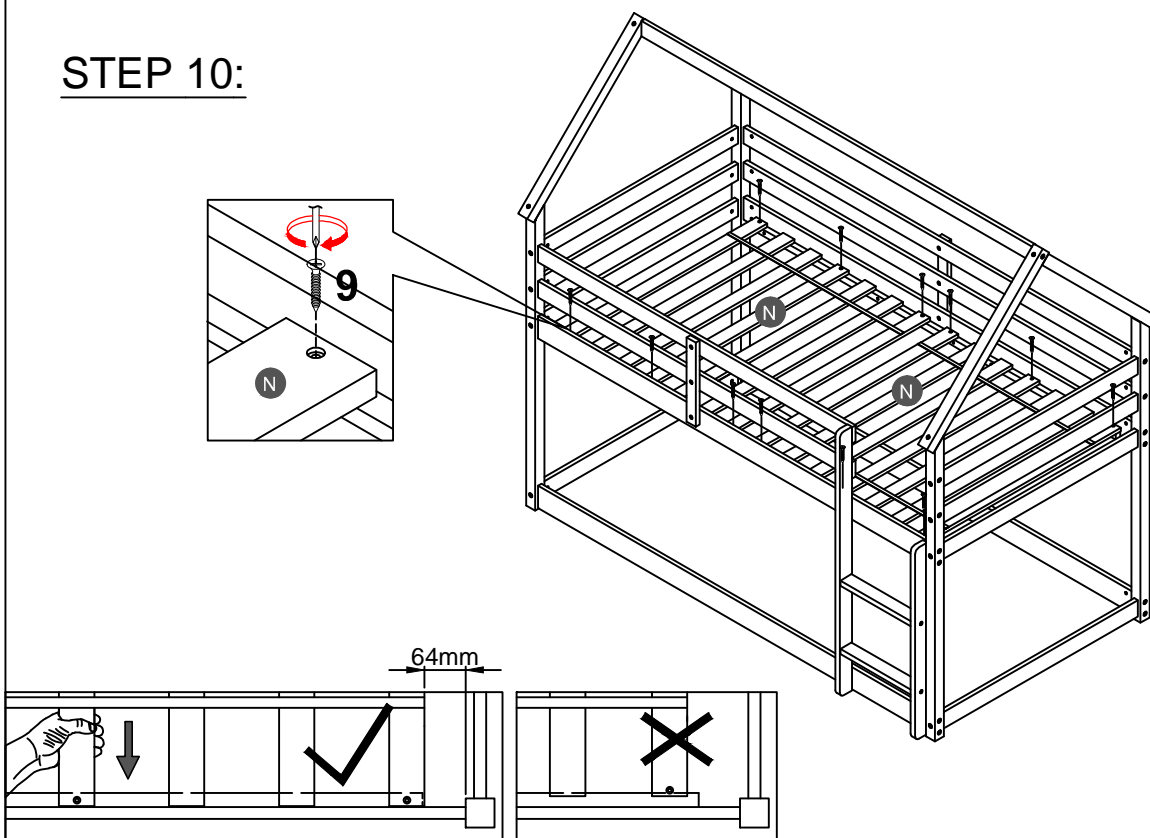


STEP 10:

9



12PCS



Note: Do not lock the screws of the bed slats to the outermost edge of the bed slats, you need to leave a certain space at the edges, otherwise it will cause the board to break.
Do not lock the bed slats on the edge of the wood, please hold firmly before screwing , hold it in place with one hand, then lock the screw.