

LED UFO High Bay Light

Wattages: 100W, 150W, 200W

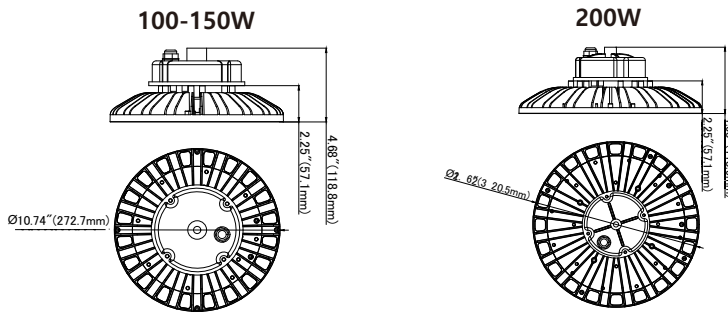


LED UFO High Bay Light series can be widely used in outdoor or indoor lighting (Wet location), Excellent for Museums, Underground parking lot, Workshop, warehouse, gymnasium and many more applications.



- ◆ LED high luminous efficiency and long working life.
- ◆ High efficiency LED Driver, the wide range input voltage AC120-277V.
- ◆ Die-cast aluminum cooling design, high quality and better cooling for LED $T_j < 85^\circ\text{C}$.
- ◆ Excellent optics design, greatly improve the light utilization and evenness.
- ◆ Wireless bluetooth system and Motion sensor control available (Optional)
- ◆ 12Vdc auxiliary dimming

DIMENSION:



Structure Features:

- ◆ Shell materials: Aluminum & PC
- ◆ Finish: BLACK (Standard)
- ◆ Net weight : 100W: 2.33Kg (5.14 lbs)
150W: 2.43Kg (5.36 lbs)
200W: 2.98Kg (6.57 lbs)
- ◆ Product Size : 100-150W: $\phi 272.7 \times 57.1 \text{mm}$ (10.74" X 2.25")
200W: $\phi 320.5 \times 57.1 \text{mm}$ (12.62" X 2.25")
- ◆ Carton Size : 100-150W: 290 X 290 X 145mm (11.42" X 11.42" X 5.71")
200W: 335 X 335 X 145mm (13.19" X 13.19" X 5.71")

SPECIFICATION

| WATTAGE | 100W | 150W | 200W |
|---------------------|-----------------------------------|------------|------------|
| LUMEN | 16799 lm | 24000 lm | 32000 lm |
| EFFICACY | > 160 lm/W | > 160 lm/W | > 160 lm/W |
| CCT | 4000K, 5000K | | |
| CRI | 70 | | |
| INPUT VOLTAGE | AC120-277V / 277-480V | | |
| BEAM ANGLE | 89° | | |
| POWER FACTOR | 0.95 | | |
| DRIVER EFFICACY | 90% | | |
| DIMMING | 0-10V dimming 12V Auxiliary power | | |
| LIFE SPAN | over 50,000 hrs | | |
| WORKING TEMPERATURE | -22°F ~ 113°F | | |
| STORAGE TEMPERATURE | -40°F ~ 176°F | | |
| OUTDOOR RATING | Wet location | | |
| CABLE | 3 core, 18AWG (300mm) | | |
| WARRANTY | 5 year limited | | |

LED UFO High Bay Light

Wattages: 100W, 150W, 200W

Bluetooth®
(Option)



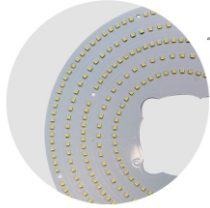
MOTION SENSOR
and Bluetooth options

Hook (Standard)



High performance, die cast heat sink transfers heat from the light engine to the environment, via large cooling fins, drawing heat away from the fixture, and extending the lifespan of the LEDs.

Optical lens is made of high quality PC material to make the light even and soft.



Top tier LEDs are driven well below recommended safety limits, on both drive current and junction temperature, to keep components cool – maintaining the life of the LED, allowing for a compact and efficient heat sink design.

EMERGENCY BACK-UP (SOLD SEPARATELY)

CONTROL (SOLD SEPARATELY)

MOUNTING(OPTION)



WSD-EMUFO40W347-R
30W/40W/60W Emergency Backup Battery



ANT-5-4T-BLE-SR
Bluetooth Microwave Motion Sensor



ANT-5-4T Motion Sensor
Bi-level microwave Sensor

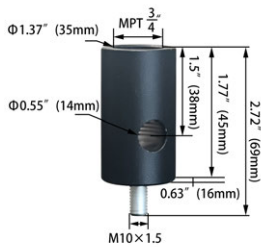


RC100
Remote Controller

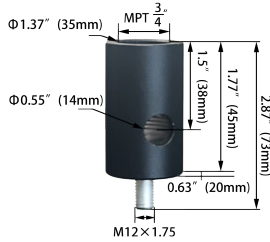


Trunion
Item: UFO-T
Trunion, Mainly used for indoor or outdoor ceiling installation, can be directly mounted on the ceiling.

ACCESSORIES(SOLD SEPARATELY)



UFO High Bay Lights Pendant Adaptor
Item: PDUFO-M10-3/4
Main Parameters: bottom screw M10, top thread NTP3/4"
Material: Aluminum



UFO High Bay Lights Pendant Adaptor
Item: PDUFO-M12-3/4
Main Parameters: bottom screw M12, top thread NTP3/4"
Material: Aluminum



Glare shield on lens bottom
Item: UFO-BPC
Main Parameters: φ15.9"(404mm)X1.5"(40mm)



The PC cover
Item: UFO-150PC/UFO-200PC
Main Parameters:
100-150W:φ16.3"(413mm)X6.0"(153mm)
200W:φ16.3"(413mm)X7.8"(199mm)

ORDERING INFORMATION

EXAMPLE: **WSD-UFO10W27-XXK-Z[D,W,B,S]-U[H,T]-E[BLANK,M]-G2 / WSD-UFO10W48-XXK-Z[D,W,B,S]-U[H,T]-E[BLANK,M]-G2**

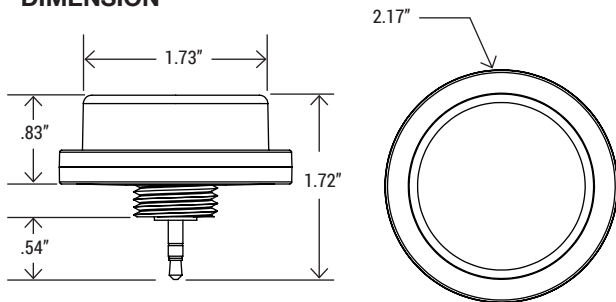
| WSD | UFO | 10W | 27 | XXK | Z | U | E | G2 |
|-------------|--------------------------|--|------------------------------------|--------------------------------|---|-----------------------------|---------------------|--------------------------|
| COMPANY | PRODUCT | WATTAGE | VOLTAGE | CCT | FINISH | MOUNTING | CONTROL | G2 |
| WSD LED INC | UFO (UFO High Bay Light) | 10W - (100W) 15W - (150W) 20W - (200W) | 27 (AC120-277V) 48 (AC277-480V) | 40K - (4000K) 50K - (5000K) | D - (Dark Bronze) W - (White) B - (Black) S - (Silver) | H - (Hook) T - (Trunion) | M - (Motion Sensor) | G2 - (Second generation) |

LED UFO High Bay Light

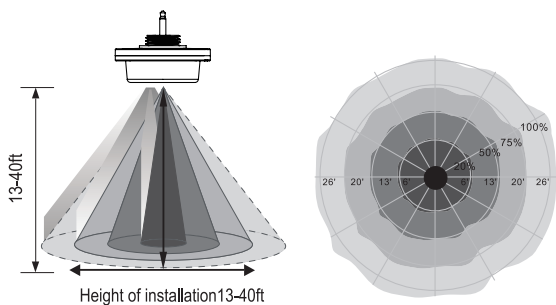
Wattages: 100W, 150W, 200W



DIMENSION



COVERAGE



ANT-5-4T-BLE-SR

Plug and Play Network BLE Nodes and Sensor

The Bluetooth Lighting Control provides automated individual and group control of light fixtures using on sensors and Bluetooth mesh technology. The ANT-5-4T-BLE-SR mounted in an Commercial lighting fixture and provides multi-level control solution based on motion and or daylight harvesting contribution.

FEATURES

- Lighting controls meet design lights consortium (DLC) networked lighting control system technical requirements.
- Quick connect and adjust different sensor angle.
- Easy commissioning with Mobile App (Available in IOS).
- Bluetooth network with Saas working by computer
- Individual addressability and/or grouping.
- Time clock scheduling for individual lights, groups or scenes.
- Multi-level dimming: manual ON/OFF automatic ON/OFF, and automatic partial ON/OFF, daylight harvesting control capability.

SPECIFICATION

| | |
|-------------------------|--|
| NETWORK BLE MESH | Yes |
| DAYLIGHT HARVESTING | Yes |
| MICROWAVE MOTION SENSOR | Yes |
| DETECTION MODE | Occupancy/Vacancy/Bi-level in 1 Unit |
| OPERATING VOLTAGE | 12-24V DC |
| OPERATING CURRENT | >50mA |
| SINKING CURRENT | max. 25mA |
| CONTROL OUTPUT | 0-10V |
| RADIO FREQUENCY | 2.4GHz ± 75MHz |
| WIRELESS STANDARD | BLE 5.0 MESH |
| PROGRAMMING | Silvair iOS App (IOS) |
| CYBERSECURITY | UL |
| ENCRYPTION | AES 128-bit |
| MESH RANGE | 60ft node-to-node and 500ft node-to-device (Commissioning) |
| SAFETY | cULus Listed |
| FCC | FCC |
| OPERATING TEMP. | -20°C - +60°C |
| IP RATING | IP65 |
| WARRANTY | 5 year limited |

MICROWAVE SENSOR FEATURES

| | |
|-----------------------|---------------------|
| DAYLIGHT HARVESTING | On/Off |
| MOTION SENSING | On/Off |
| FIRST TIME DELAY | 1-59 mins/infinite |
| SECOND TIME DELAY | 0-59 mins/infinite |
| DIM LEVEL | 0-100% |
| MOUNTING HEIGHT | 13-40ft |
| DETECTION RANGE | up to 52ft diameter |
| DETECTION: HORIZONTAL | 360° |
| DETECTION: VERTICAL | 90° |

COMMISSIONING

Silvair iOS App makes it easy to pair devices, create groups, set scenes/schedules, customize dimming levels, and adjust high trim based on application needs.

Silvair App



iOS

Please scan and download the app.

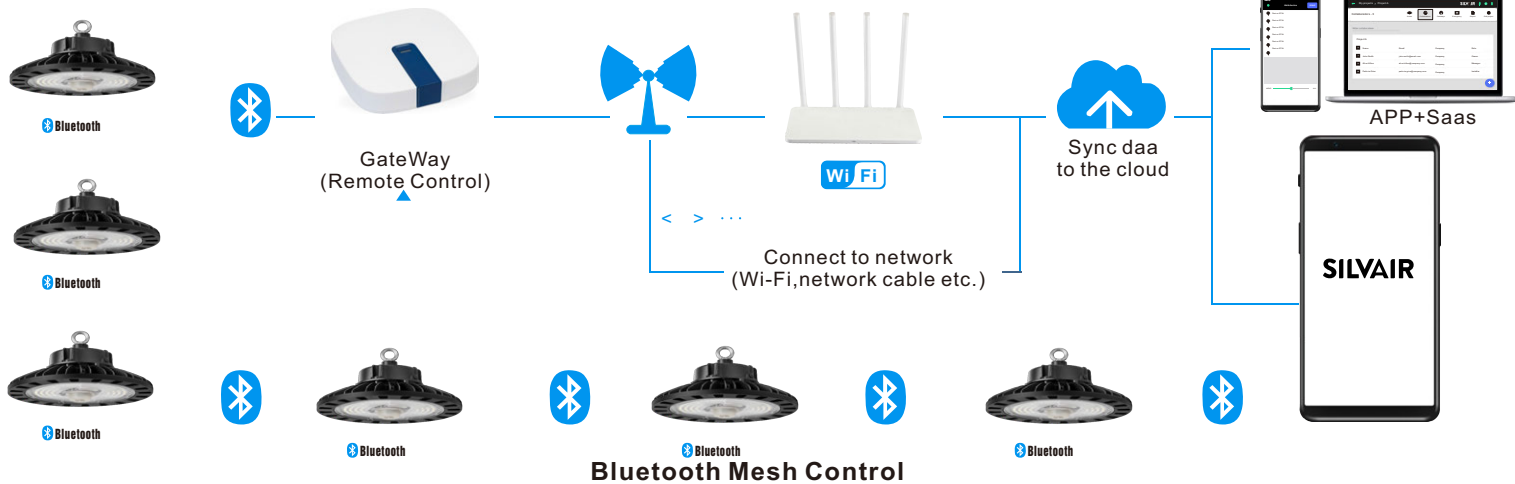
Operation Instruction:

https://youtu.be/8KWPK7z_Tng

LED UFO High Bay Light

Wattages: 100W, 150W, 200W

GateWay Remote Control



Functions:

The Silvair Gateway enables the following functions in the Silvair web app: •

- Scheduling (available by default)
 - Scheduling changes in scenes and lighting control scenarios (for example occupancy sensing, daylight harvesting) for specific times or days.
- Energy and occupancy monitoring (additional paid service)
 - Visualizing energy use and occupancy via the Silvair web app.
 - Downloading energy and occupancy via the Silvair web app and cloud-based API.
- Remote monitoring and control (additional paid service)
 - Low-latency monitoring of the status of devices in the network via API.
 - Low-latency control of devices in the network via API.
- System diagnostics
 - Monitoring of the status of Bluetooth mesh networks.
 - Remote troubleshooting of networking issues.

Features:

- Future-proof Linux operating system.
- Simple commissioning using the Silvair Commissioning tools.
- Automatic connection to the Silvair cloud.
- Secure provisioning with secure IDs and encrypted keys.
- High level of hardware and software security (secure boot and encrypted file system can only be accessed with the management platform).
- Automatic security updates.
- Prompt releases of OS updates and fixes to vulnerabilities.
- Low-latency transfer of network, luminaire, and sensor status data to the Silvair cloud.
- Schedule caching.
- Automatic remote firmware updates.
- Display of gateway and network performance metrics (requires the Silvair web app).

INDUSTRIAL GATEWAY

SGW-101

Smart Engineering Gateway

The Silvair Gateway connects Bluetooth mesh networks that have been commissioned using the Silvair Commissioning tools to the Silvair cloud. This allows the scheduling of events and delivery of services based on the data generated by these networks.

SPECIFICATION

| | |
|-------------------------------------|---|
| POWER SUPPLY | 4.5–5.5 V DC, 2 A Power over Ethernet 36–57 V DC (IEEE 802.3af) |
| OPERATING SYSTEM | Ubuntu Core |
| PROCESSOR | i.MX6ULL (Y2), 32-bit ARM 800 MHz |
| MEMORY | 512 MB DDR3L SDRAM 8GB eMMC |
| COMMUNICATION PROTOCOLS | Bluetooth mesh (2.4 GHz Bluetooth Low Energy) Wi-Fi 802.11a/b/g/n/ac (2.4/5 GHz) 4G LTE Cat 1 with 2G/3G (only for Cascade-500-W and Cascade-500-X gateways) |
| PORTS | 1 x RJ45 10/100 Ethernet 1 x USB 2.0 Type-A 2 x external dipole antenna, 5 dBi (only for Cascade-500-W and Cascade-500-X gateways) |
| REQUIRED AMBIENT TEMPERATURE | 0°C to 60°C 32°F to 140°F |
| ENCLOSURE DIMENSIONS | 127 mm x 127 mm x 30 mm (5 inch x 5 inch x 1.2 inch) |
| MOUNTING POSITION | Wall or surface mounted. As close to the geometrical center of the lighting network as possible, but as far as possible from potential sources of interference. |
| SECURITY | Secure boot with encrypted operating system Secure communication with the Silvair Cloud over Internet (TLS) Secure communication with devices over qualified Bluetooth mesh |

LED UFO High Bay Light

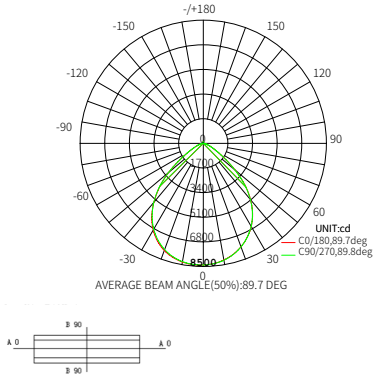
Wattages: 100W, 150W, 200W

PHOTOMETRICS

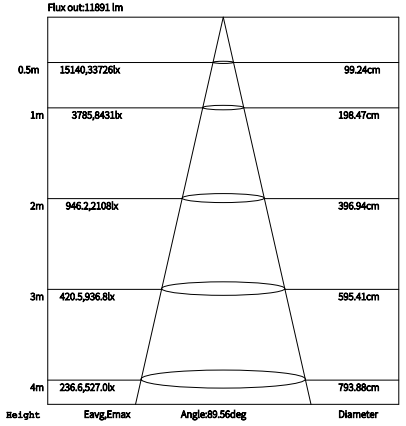
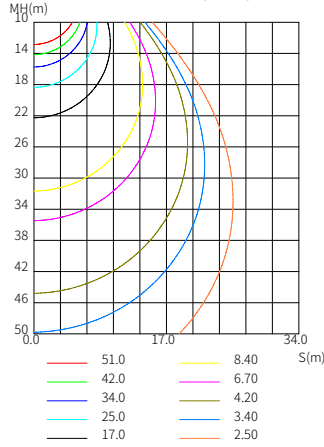
For complete IES files, please visit our website.

WSD-UFO10W27-50K-B-H-G2

LUMINOUS INTENSITY DISTRIBUTION DIAGRAM

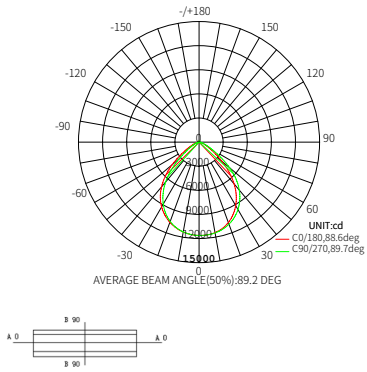


C0 PLANE ISOLUX DIAGRAM (UNIT:lx)

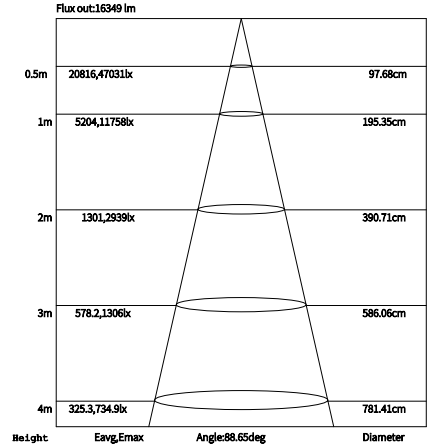
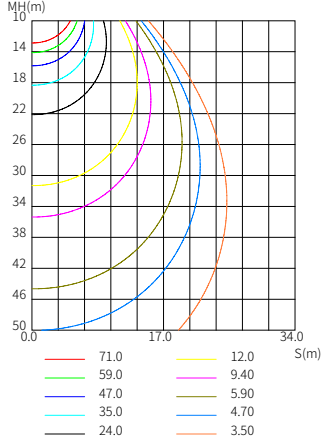


WSD-UFO15W27-50K-B-H-G2

LUMINOUS INTENSITY DISTRIBUTION DIAGRAM

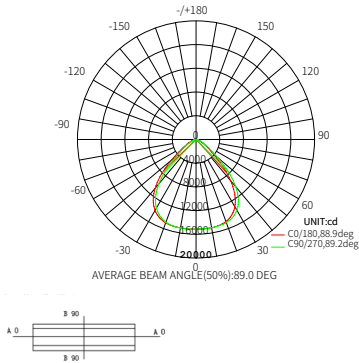


C0 PLANE ISOLUX DIAGRAM (UNIT:lx)



WSD-UFO20W27-50K-B-H-G2

LUMINOUS INTENSITY DISTRIBUTION DIAGRAM



C0 PLANE ISOLUX DIAGRAM (UNIT:lx)

