

# Hourglass Post Top Light



MODEL #	
PROJECT:	
NOTES:	
DATE:	
PREPARED BY:	

### PRODUCT FEATURES:

- ❖ Optical design, greatly improved the light utilization and evenness.
- ❖ High efficiency LED Driver.
- ❖ Cast Aluminum design, better cooling, light quality, LED Tj < 85°C.
- ❖ Excellent efficacy ≥ 140lm/w.
- ❖ 0-10V Dimming.

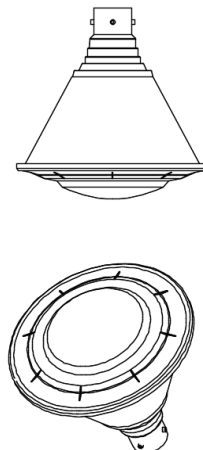
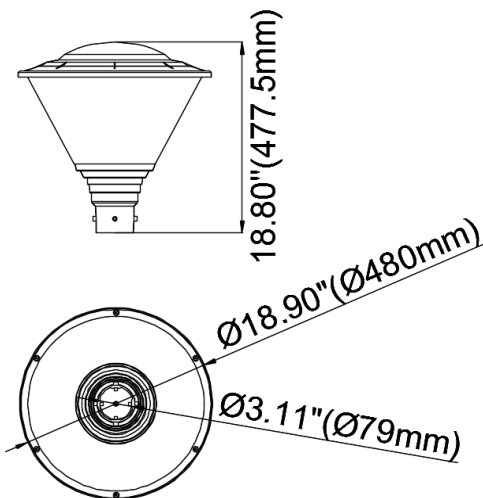
### Additional Information:

- Power: 60W
- Input: AC 120-277V
- CCT : 4000K/5000K
- Light Source: SMD 2835 LEDs
- Driver: KERHAM POWER



### PRODUCT APPLICATIONS:

The Hourglass Post Top Light LED Lighting Series can be widely used for Outdoor (Wet Location) Excellent for Lawns, Courtyards, Roadways and many other applications.



### Structure Features:

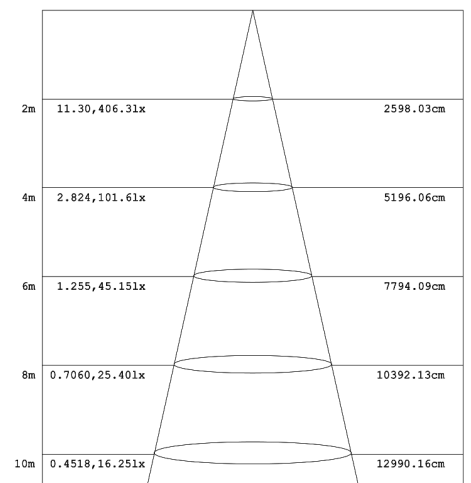
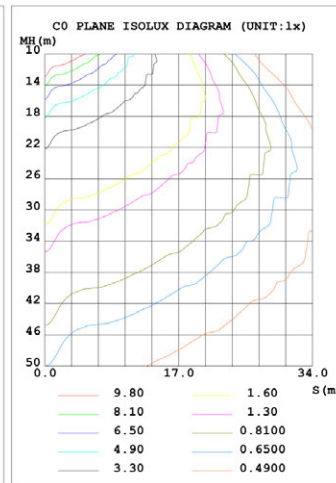
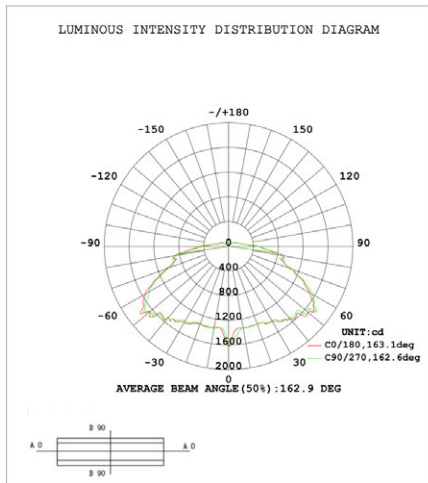
- Shell Materials: Aluminum & PC
- Finish: Dark Bronze/White/black/Silvery(Option)
- Net Weight: 5.63KG (12.4LBS)
- **Product Size: 480mmX477.5mm**  
18.9"x18.8"
- **Carton Size: 485mmX485mmX480mm**  
19.09"x19.09"x18.9"

## Hourglass Post Top Light

### TECHNICAL PARAMETERS:

Type	WSD-HPT06W27-XXK-Z-E-G2		
<b>Power</b>	60W	<b>Lighting Angle</b>	162°
<b>Input Voltage</b>	AC120-277V	<b>LED Brightness Decay</b>	<5%/6000 hrs
<b>PF</b>	≥0.90	<b>Working Life</b>	>75000 hrs
<b>Driver Efficiency</b>	≥87%	<b>Working Temperature</b>	-30 - +45°C
<b>Luminous Flux</b>	8010 Lm	<b>Storage Temperature</b>	-40 -+80°C
<b>Color Temperature</b>	4000K/5000K	<b>Protection Level</b>	Wet Location
<b>CRI</b>	Ra>70	<b>Cable</b>	3core,18AWG (19.69 inch)

### PHOTOMETRY:



### ORDERING EXAMPLE: WSD-HPT06W27-XXK-Z [D, W, B, S] -E [blank, M] -G2

WSD	HPT	06W	27	XXK	Z	E
<b>Company</b>	<b>Product</b>	<b>Power</b>	<b>Voltage</b>	<b>ColorTemp</b>	<b>FINISH</b>	<b>Control</b>
<b>WISDOM</b>	<b>HPT</b> Hourglass Post Top Light	<b>06W(60W)</b>	<b>27</b> AC120-277V	<b>40K (4000K)</b> <b>50K (5000K)</b> <b>± 500K</b>	<b>D (Dark Bronze)</b> <b>W (White)</b> <b>B (Black)</b> <b>S (Silvery)</b>	<b>M</b> <b>Motion Sensor</b>