

EMERGENCY LIGHT

READ AND FOLLOW ALL SAFETY INSTRUCTIONS

WARNING: FAILURE TO FOLLOW THESE INSTRUCTIONS AND WARNINGS MAY RESULT IN DEATH, SERIOUS INJURY OR SIGNIFICANT PROPERTY DAMAGE. For your protection, read and follow these warnings and instructions carefully before installing or maintaining this equipment.

WARNING: RISK OF ELECTRIC SHOCK - NEVER CONNECT TO, DISCONNECT FROM, OR SERVICE WHILE EQUIPMENT IS ENERGIZED.

WARNING: RISK OF FIRE. Lamps are hot. Keep combustible material away from hot parts. Observe lamp manufacturer's warnings, recommendations and restrictions on lamp operation and maintenance. Make sure lamps are correctly installed.

WARNING: DO NOT USE ABRASIVE MATERIALS, OR OTHER SOLVENTS. USE OF THESE SUBSTANCES MAY DAMAGE FIXTURE, WHICH MAY RESULT IN PERSONAL INJURY.

WARNING: RISK OF PERSONAL INJURY. This product may have sharp edges. Wear gloves to prevent cuts or abrasions when removing from carton, handling, installing and maintaining this product.

IMPORTANT SAFEGUARDS: When using electrical equipment, basic safety precautions should always be followed, including the following:

- Before wiring to power supply, turn off electricity at fuse or circuit breaker.
- Disconnect AC power and unplug battery before servicing.
- Consult your local building code for approved wiring and installation.
- Do not use outdoors.
- Do not let power supply cord touch hot surfaces.
- Do not mount near gas or electric heater.
- Do not install a damaged fixture.
- This product must be installed in accordance with the applicable installation codes and ordinances.
- Proper grounding is required to ensure personal safety (where applicable).
- All service shall be performed by qualified personnel. This product must be installed and maintained in accordance with the applicable installation codes by a person familiar with the construction and operation of the product and the hazards involved.
- Equipment should be mounted in locations and at heights where it will not be subjected to tampering by unauthorized personnel.
- The use of accessory equipment not recommended by the manufacturer may cause an unsafe condition.
- Do not use this equipment for anything other than its intended use.

IMPORTANT:

1. When re-lamping use only lamps specified by the manufacturer. Using other lamp types may result in transformer damage or cause unsafe conditions.
2. Battery in this unit may not be fully charged. After electricity is hooked up to the unit, let the battery charge up for at least 24 hours. Then normal operation of this unit should then take effect.

INSTALLATION INSTRUCTIONS (Back mount):

1. Open faceplate by blade screwdriver
 2. Determine which mounting holes will be used to mount the fixture to J-BOX and then punch out the proper K/Os from the K/O pattern on the back panel of the housing.
 3. Connect AC supply wires to fixture input wires. Black is for 120V; Red is for 277V; White is for neutral.
 4. Connect the RED and BLACK leads coming from the circuit board to the battery terminals. RED lead would be connected to the positive terminal and Black lead to the negative terminal.
 5. Install back the faceplate.
-

EMERGENCY LIGHT

Side mount and ceiling mount

Follow the above steps (Proper mounting holes refer to the side or top of the frame)

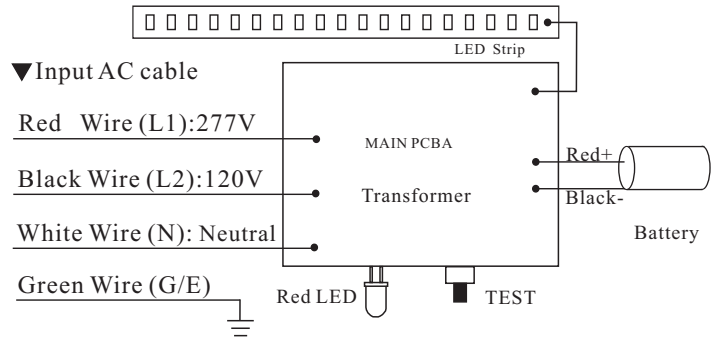
Product parameters:

Electrical parameters
Working voltage:120V;277V 50Hz/60Hz
Input Wattage: 5W
Input Current: 0.04A
Efficiency: 0.86P
Recharge time: 24 Hours
Output Wattage: 1W
Plug in LED:Φ5 Red*6pcs
Lead-Acid Battery 1.2V/800mAh
Emergency duration: ≥ 90mins
Product Size: 298*187*45/mm

WARNING:

Unused wires must be capped using enclosed wire nuts.

WIRING DIAGRAM



INSTALLATION DIAGRAM

1

Wall mount

1. Using a flat screwdriver, open the front cover, remove and discard the canopy kit.

2. Feed excess wires into the junction box.

3. The system can accept input voltages of 120 VAC or 277 VAC. Therefore, connect the black/red wire (line voltage) and the white wire (neutral) leads to the building utility. Connect the green ground.

2

1. Using the junction box screws to mount spider plate onto junction box.

3

1. Knock out the proper hole pattern in the back plate to mount to a standard junction box. Place a support on either side of the knockouts to be removed and then knock out with a screwdriver

4

1. Mount the unit securely to the junction box using the junction box screws.

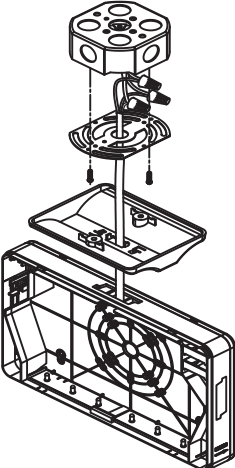
2. Snap the EXIT plate to the unit.

5

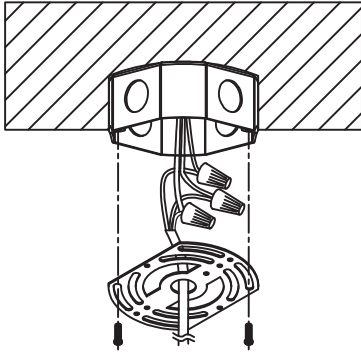
1. If the EXIT needs to point to certain direction, arrow could be removed.

EMERGENCY LIGHT

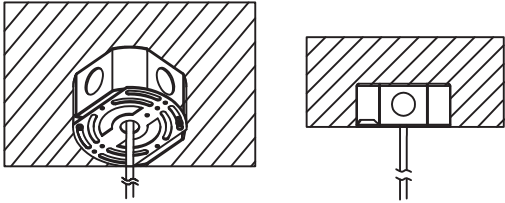
Ceiling mount



1

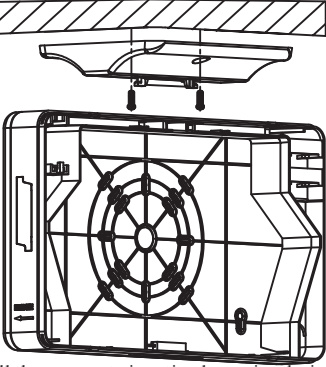


2

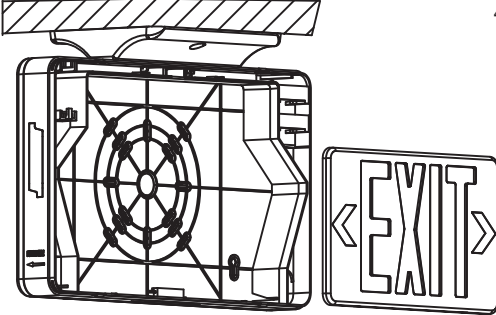


1. Using a flat screwdriver, open the front cover, remove and discard the canopy kit.
2. Feed excess wires into the junction box.
3. The system can accept input voltages of 120 VAC or 277 VAC. Therefore, connect the black/red wire (line voltage) and the white wire (neutral) leads to the building utility. Connect the green ground.

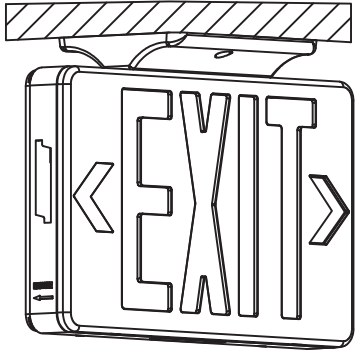
3



4

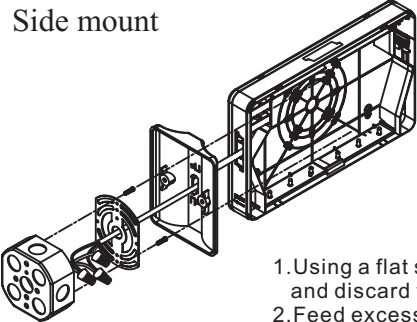


5

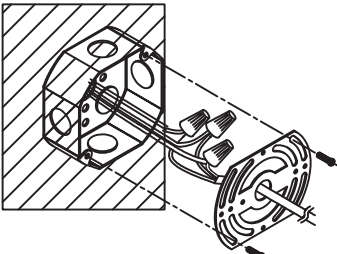


1. Install the canopy to junction box using the junction box screws.
2. Mount the unit securely to the canopy.
3. Snap the EXIT plate to the unit.

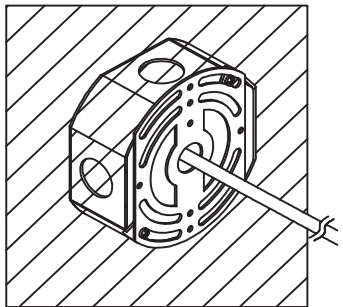
Side mount



1



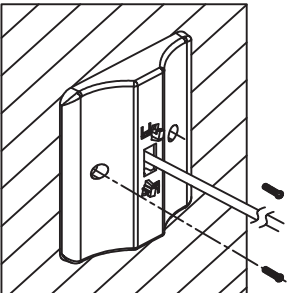
2



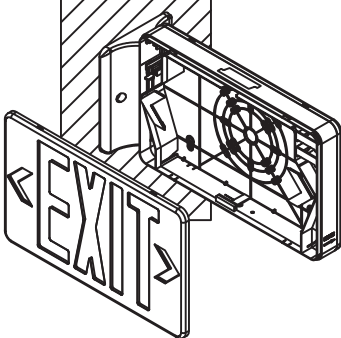
1. Using a flat screwdriver, open the front cover, remove and discard the canopy kit.
2. Feed excess wires into the junction box.
3. The system can accept input voltages of 120 VAC or 277 VAC. Therefore, connect the black/red wire (line voltage) and the white wire (neutral) leads to the building utility. Connect the green ground.

1. Using the junction box screws to mount spider plate onto junction box.

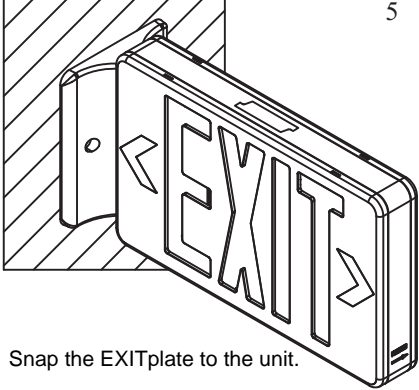
3



4

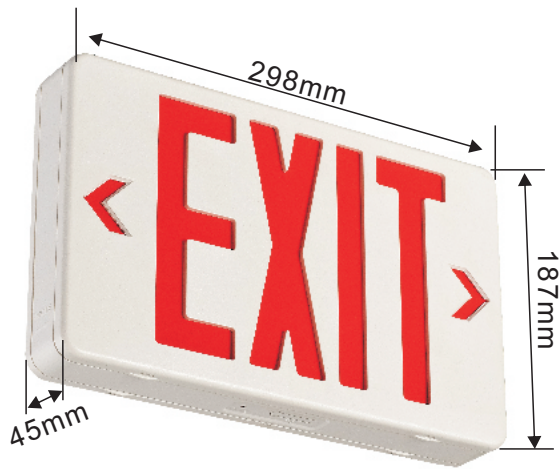


5



1. Insert the canopy onto the location where the mounting hole cover was removed
Mount the unit securely to the canopy
Snap the EXIT plate to the unit.

EMERGENCY LIGHT



Max. mounting height:
15.19ft (4.62 m)" or the
equivalent.

This equipment is furnished with a sophisticated low voltage battery dropout circuit to protect the battery from over-discharge after the useful out-put has been used. Allow 20 hours recharge time after installation or power failure for full-load testing or usage.

