

WP-HHA-075U Series

0-10V Dimming LED Driver Series



Product Features

- Wide Input Voltage Range 120-277Vac
- 0-10V Dimming
- Dry or Damp location
- High Efficiency
- High Power Factor
- Low THD
- Low standby power <2W

Protection

- Short-Circuit Protection
- Open-Circuit Protection
- Over-load Protection

Application

- LED Tri-proof Light, LED Grille Light, LED Troffer, LED Linear, LED Panel, etc.

Ordering data

Model Number	Max Output Watts	Output Current	Current Accuracy	Power Factor	Efficiency	THD	Net Weight	Dimension
WP-HHA-075U0521100	57.2W	1100mA	±5%	≥0.9	≥87%	≤20%	475g±5%	L175*W49.7*H30mm
WP-HHA-075U0521150	59.8W	1150mA	±5%	≥0.9	≥87%	≤20%	475g±5%	L175*W49.7*H30mm
WP-HHA-075U0521200	62.4W	1200mA	±5%	≥0.9	≥87%	≤20%	475g±5%	L175*W49.7*H30mm
WP-HHA-075U0521250	65W	1250mA	±5%	≥0.9	≥87%	≤20%	475g±5%	L175*W49.7*H30mm
WP-HHA-075U0521300	67.6W	1300mA	±5%	≥0.9	≥87%	≤20%	475g±5%	L175*W49.7*H30mm
WP-HHA-075U0521350	70.2W	1350mA	±5%	≥0.9	≥87%	≤20%	475g±5%	L175*W49.7*H30mm
WP-HHA-075U0521400	72.8W	1400mA	±5%	≥0.9	≥87%	≤20%	475g±5%	L175*W49.7*H30mm
WP-HHA-075U0521450	75.4W	1450mA	±5%	≥0.9	≥87%	≤20%	475g±5%	L175*W49.7*H30mm
WP-HHA-075U0521500	78W	1500mA	±5%	≥0.9	≥87%	≤20%	475g±5%	L175*W49.7*H30mm
WP-HHA-075U0481550	74.4W	1550mA	±5%	≥0.9	≥87%	≤20%	475g±5%	L175*W49.7*H30mm
WP-HHA-075U0461600	73.6W	1600mA	±5%	≥0.9	≥87%	≤20%	475g±5%	L175*W49.7*H30mm
WP-HHA-075U0441700	74.8W	1700mA	±5%	≥0.9	≥87%	≤20%	475g±5%	L175*W49.7*H30mm
WP-HHA-075U0421800	75.6W	1800mA	±5%	≥0.9	≥87%	≤20%	475g±5%	L175*W49.7*H30mm
WP-HHA-075U0381900	72.2W	1900mA	±5%	≥0.9	≥87%	≤20%	475g±5%	L175*W49.7*H30mm
WP-HHA-075U0382000	76W	2000mA	±5%	≥0.9	≥87%	≤20%	475g±5%	L175*W49.7*H30mm

Shenzhen Wei Peng Shiji Technology Co.,Ltd.

Factory Address: 2/F, Building A, Xiangli Industrial Zone, Haoye Road, Fuyong Town, 518103, Shenzhen, China
Tel: +86-755-27206323 Fax: +86-755-86104343 Web: www.weledpower.com

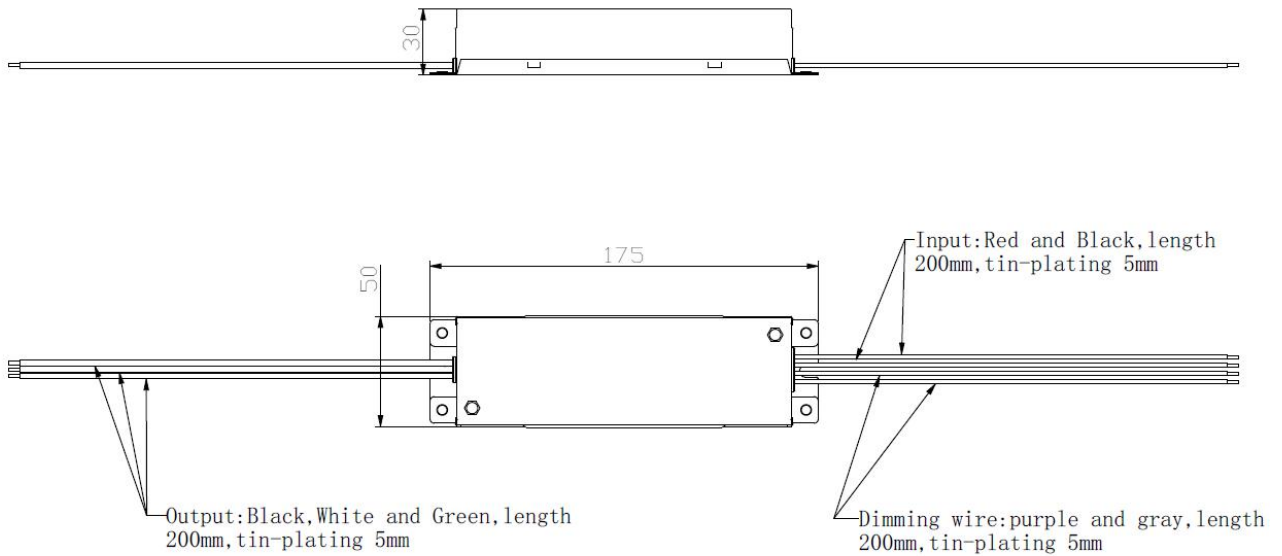
LED DRIVER DATASHEET



WP-HHA-075U Series

0-10V Dimming LED Driver Series

Dimension Unit: mm



Label

<p>AC-L (BLACK)</p> <p>AC-N (WHITE)</p> <p>CASE MUST BE GROUNDED</p>	<p>POWER INPUT</p>	<p>LED Driver</p> <p>WeledPower[®]</p> <p>C UL us E467380</p> <p>IP65</p> <p>ShenZhen Wei Peng Shiji Technology Co.,Ltd</p>		<p>Model: WP-HHA-075U0521500</p> <p>Input: 120-277V~ 50/60Hz 0.8A Max</p> <p>Output: 30-52V = 1500mA(CC)</p> <p>PF: ≥0.9 Type HL</p> <p>P rated: 78Watts</p> <p>0-10V Dimming Class 2</p> <p>Suitable for Dry or Damp location</p> <p>Risk of Electric Shock</p> <p>MADE IN CHINA</p>	<p>LED+(RED)</p> <p>LED-(BLACK)</p> <p>DIM+(PURPLE)</p> <p>DIM-(GRAY)</p> <p>POWER OUTPUT</p>
		<p>Tc ● MAX.90℃</p> <p>Ta Max.60℃</p> <p>Date:1802</p>			

Shenzhen Wei Peng Shiji Technology Co.,Ltd.

Factory Address: 2/F, Building A, xiangli Industrial Zone, Haoye Road, Fuyong Town,518103, Shenzhen, China

Tel: +86-755-27206323 Fax: +86-755-86104343 Web: www.weledpower.com

WP-HHA-075U Series

0-10V Dimming LED Driver Series

Product Data

Input Information								
Line Voltage (AC Operation)	120-277Vac							
Line Frequency	50/60Hz							
Line Current	≤0.8A@120V							
Inrush Current	≤60A Per NEMA 410							
Power Factor	Refer to graph							
THDI	Refer to graph							
Efficiency	≥87% (Full Load)							
Standby Power	≤2W							
Output Information								
Max Output Power	78W							
Output Voltage Range	30-52Vd	30-52Vd	30-52Vd	30-52Vd	30-52Vd	30-52Vd	30-52Vd	30-52Vd
Output Current	1100mA	1150mA	1200mA	1250mA	1130mA	1350mA	1140mA	1450mA
Max Output Power	78W							
Output Voltage Range	30-52Vd	30-48Vd	30-46Vd	24-44Vd	24-42Vd	24-38Vd	24-38Vd	
Output Current	1500mA	1550mA	1600mA	1700mA	1800mA	1900mA	2000mA	
Output Voltage Ripple	< 5.0V							
Output Current Accuracy	±5%							
Line Regulation	±5%							
Load Regulation	±5%							
Temperature Drift	±10%							
Start Up Time	< 500mS							
Dimming Digital	0-10V Analog Voltage							
Protection								
Open Circuit Protection	Open Circuit Voltage Max. 63V				Open Circuit Voltage Max. 50V			
Short Circuit Protection	Automatic Recovery							
Over Load Protection								
Environment								
Operating Temperature/Humidity	-40°C to +60°C/5% RH – 95% RH							
Storage Temperature/Humidity	-40°C to +85°C/5% RH – 95% RH							
Safety and Regulation								
Certification	UL & cUL FCC							
Withstand Voltage	I/P-O/P 3.75KVac,5mA,60S I/P-G 1.5KVac,5mA,60S							
Insulation Resistance	I/P-O/P 500Vac, > 100MΩ							
Surge Rating	Meet to IEC61000-4-5(L-N 2KV; L&N-PE 4KV)							
EMC	Meet to FCC Part 15B, EN61000-4-2,3,5,6,8,11, EN61000-3-2							

Remarks:

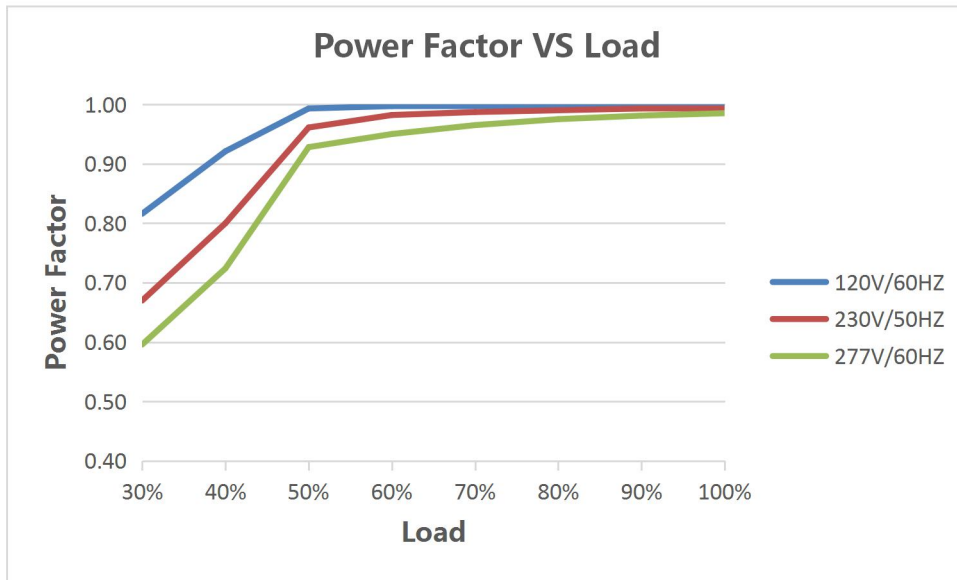
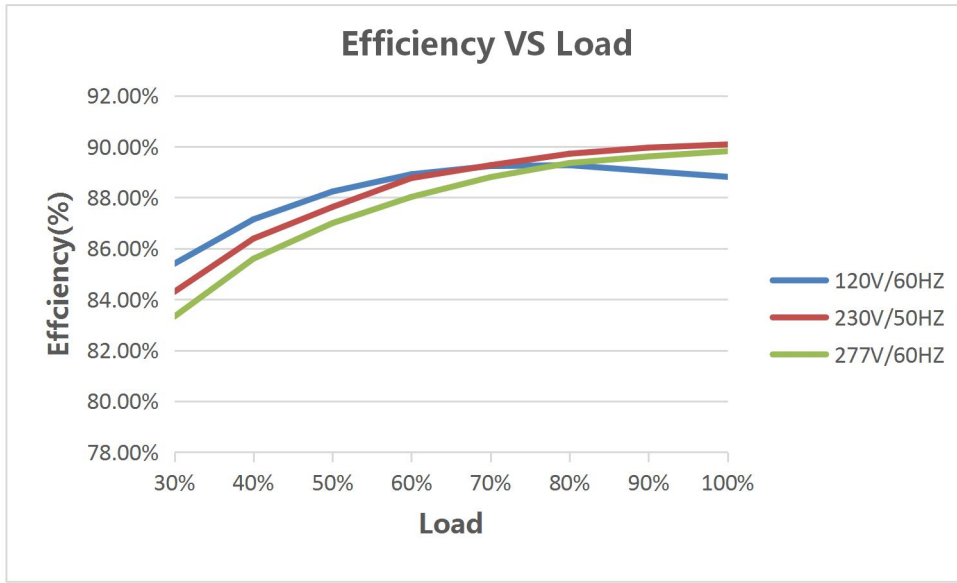
1. All the parameters are typical value under the environment temperature 25°C and full load.
2. LED Driver is just a part of luminaries. The luminaries' manufacturers have to re-confirm the EMC performance of the whole lamp, because it will be affected by the wiring of luminaries.

Shenzhen Wei Peng Shiji Technology Co.,Ltd.

Factory Address: 2/F, Building A, Xiangli Industrial Zone, Haoye Road, Fuyong Town, 518103, Shenzhen, China
 Tel: +86-755-27206323 Fax: +86-755-86104343 Web: www.weledpower.com

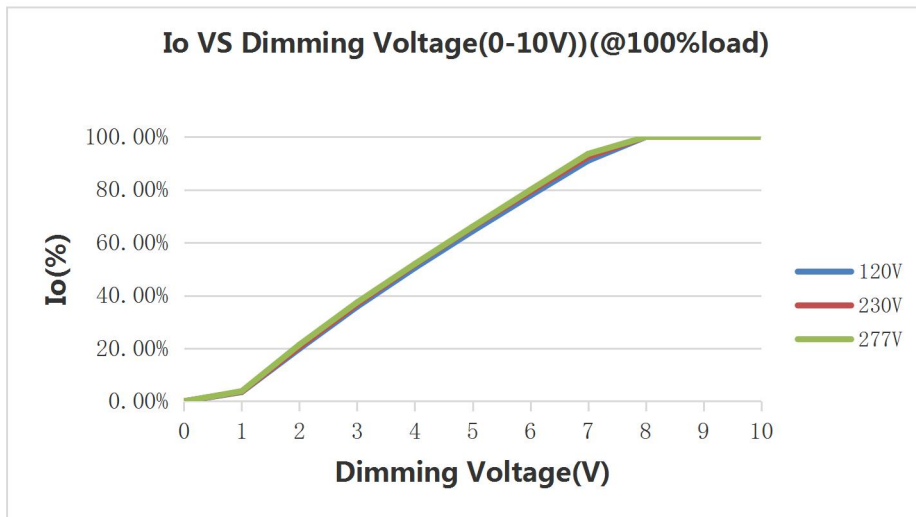
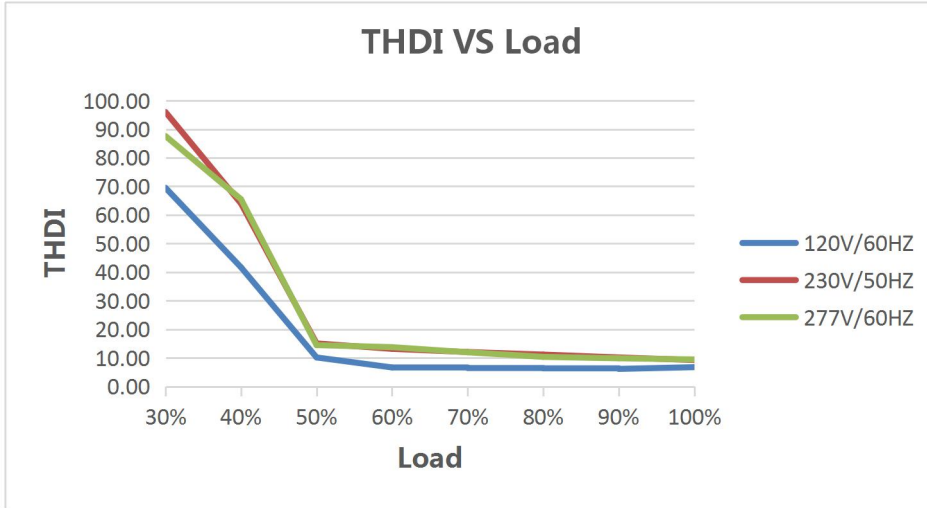
WP-HHA-075U Series

0-10V Dimming LED Driver Series



WP-HHA-075U Series

0-10V Dimming LED Driver Series



WP-HHA-075U Series

0-10V Dimming LED Driver Series

Lifespan & Warranty

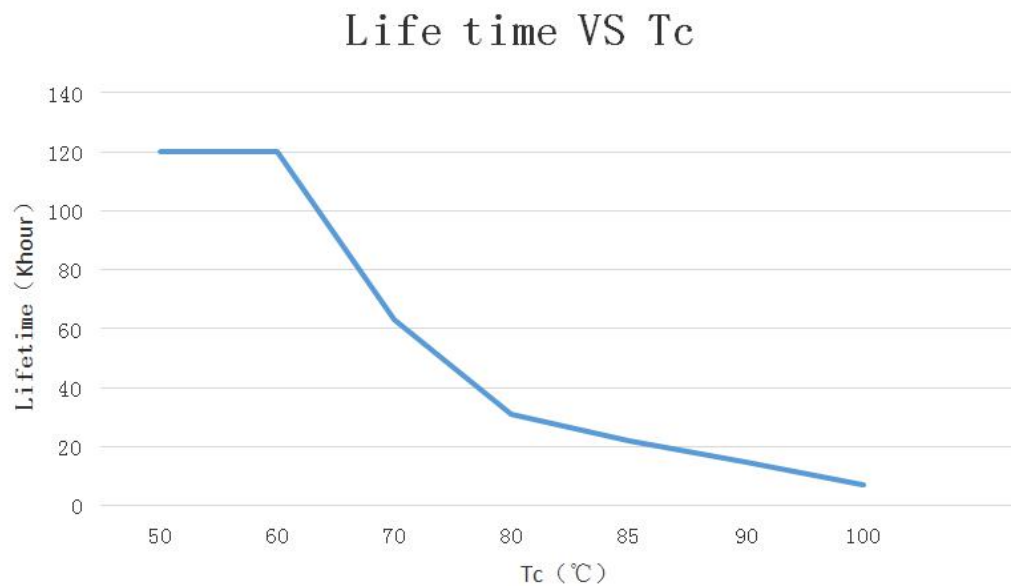
- 50,000hours lifespan design.

- 5 Years warranty. For details, please refer to document WELEDPower LIMITED WARRANTY 2017

Product Lifespan Referred Diagram

Ambient Temperature (°C)

Lifespan (KHours)



Packaging

Product Dimension: 6.89x1.96x1.18 inches ;175x49.7x30mm

Net Weight: 475g+/-5%

Carton Dimension: 16.54x12.60x7.48 inches; 420x320x190mm

Net Weight/Gross Weight: 19.51kgs/19kgs 40pcs/ctn

Right

Specifications subject to change without notice

Shenzhen Wei Peng Shiji Technology Co.,Ltd.

Factory Address: 2/F, Building A, Xiangli Industrial Zone, Haoye Road, Fuyong Town, 518103, Shenzhen, China
Tel: +86-755-27206323 Fax: +86-755-86104343 Web: www.weledpower.com