

# Installation Instruction

---

## WARNING

- To reduce the risk of death, personal injury or property damage from fire, electric shock, falling parts, cuts/abrasions, and other hazards read all warnings and instructions included with and on the fixture box and all fixture labels.
- Before installing, servicing, or performing routine maintenance upon this equipment, follow these general precautions.
- Commercial installation, service and maintenance of luminaires should be performed by a qualified licensed electrician.
- For the installation: If you are unsure about the installation or maintenance of the luminaires, consult a qualified licensed electrician and check your local electrical code.
- To prevent wiring damage or abrasion, do not expose wiring to edges of sheet metal or other sharp objects.
- Do not make or alter any open holes in an enclosure of wiring or electrical components during kit installation.

## WARNING

- Turn off electrical power at fuse or circuit breaker box before wiring fixture to the power supply.
- Turn off the power when you perform any maintenance.
- Verify that supply voltage is correct by comparing it with the luminaire label information.
- All wiring connections should be capped with UL approved wire connectors.

## CAUTION

- Avoid direct eye exposure to the light source while it is on.
- Account for small parts and destroy packing material, as these may be hazardous to children.
- Risk of burn. Disconnect power and allow fixture to cool before changing bulb or handing fixture.

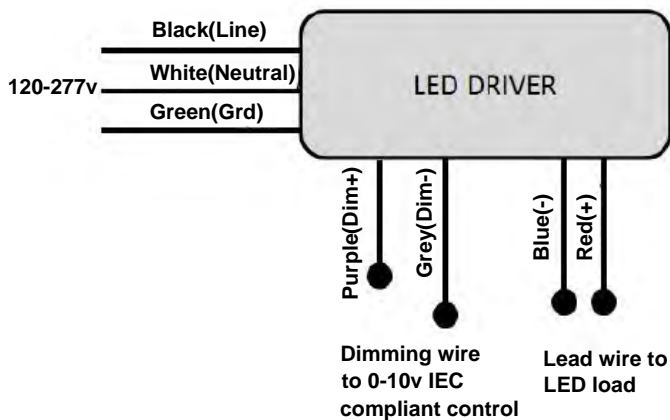
**NOTICE:** Green ground screw provided in proper location. Do not relocate.

**NOTICE:** Minimum 90° supply conductors.

**NOTICE:** Specifications and dimensions subject to change without notice.

**NOTICE:** Suitable for wet location.

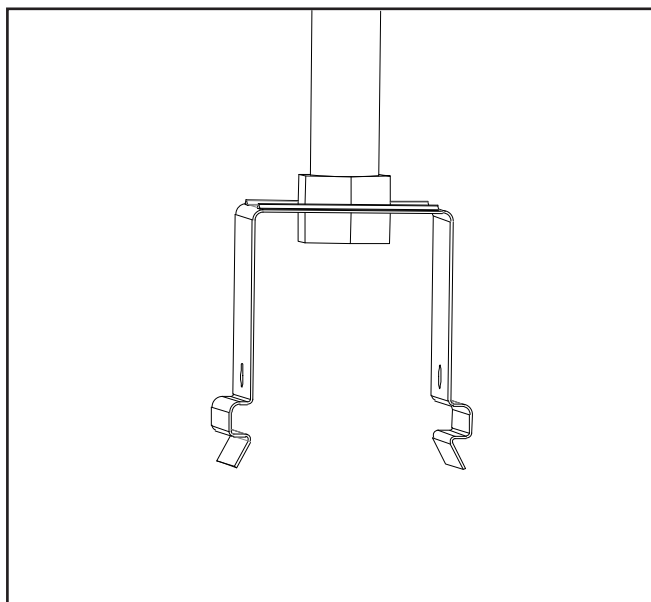
## General Wiring Diagram



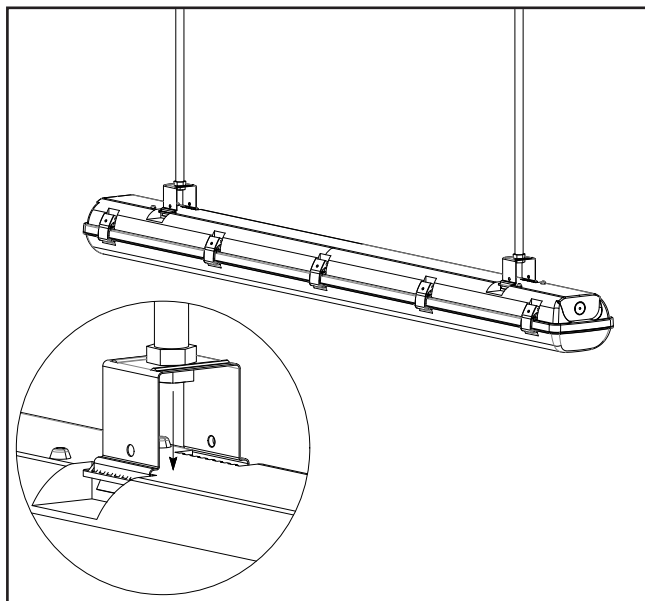
# Installation Instruction

## Boom installation

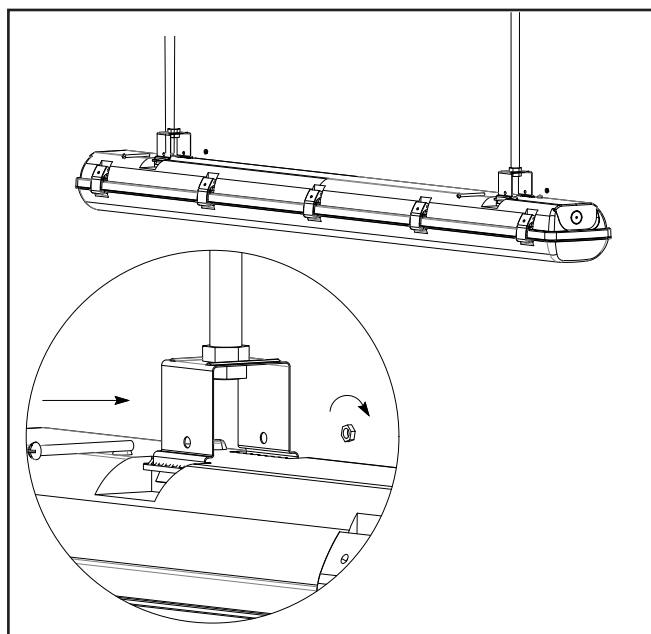
1. Insert the boom into the hole of boom bracket and fix with a nut.



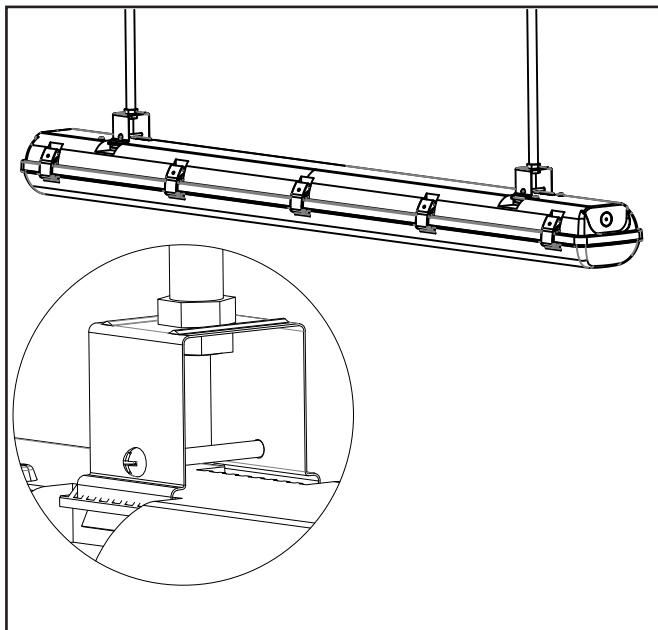
2. Secure mounting clips to housing recesses by firmly pressing them into place until both sides of the clip are secured.



3. Insert the long screw into the hole on the side of the boom bracket and screw the nut on.



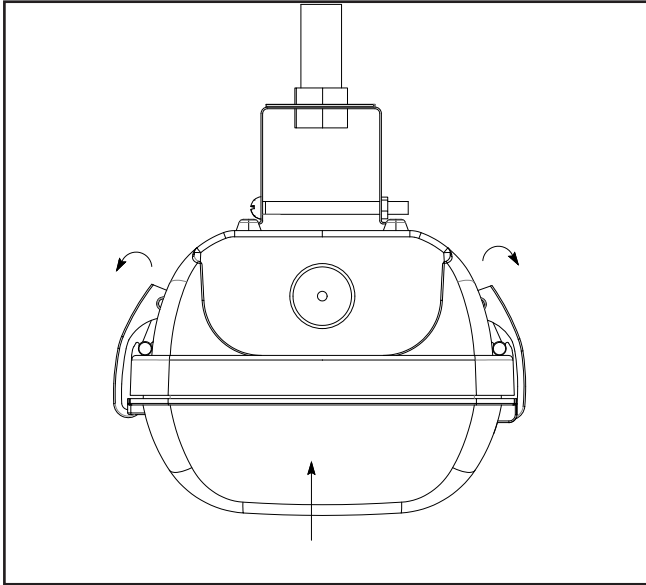
4. Tighten the nut so that the support does not fall off.



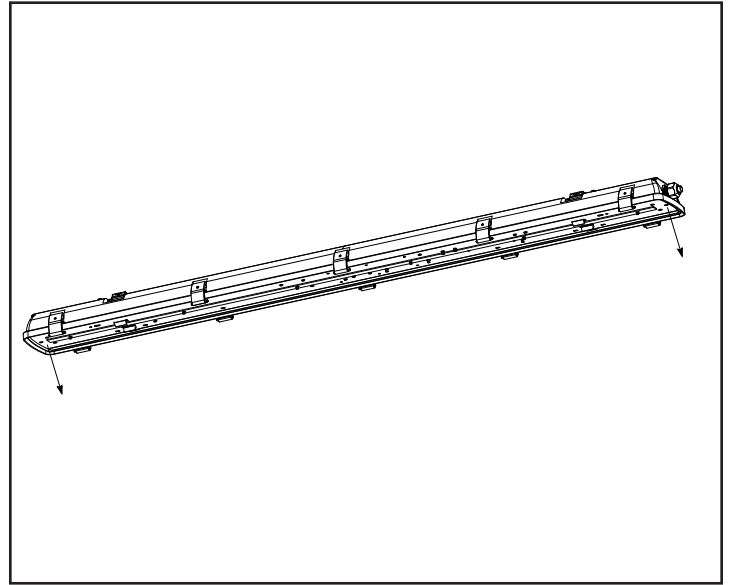
# Installation Instruction

## Boom installation

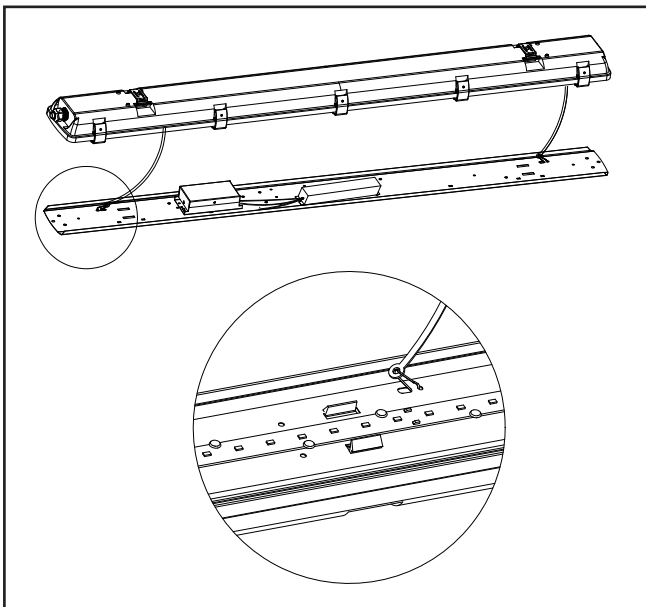
5. Release latches by pulling top of latch away from housing.



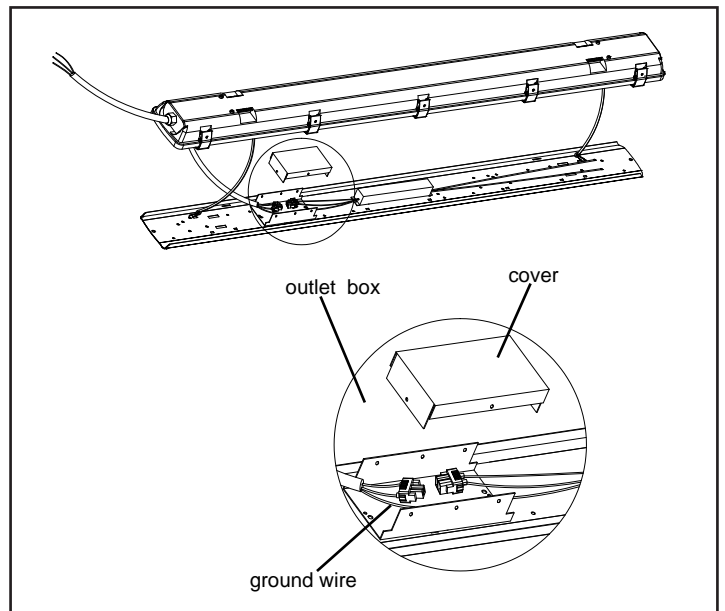
6. Without touching LED boards, detach LED tray from fixture.



7. Locate safety cable when opening to install fixture body and Snap connect tether to gear tray before making electrical connection as shown in figure.



8. Connect power to driver through outlet box as shown in the figure (the flexible cord supplied by others), make sure to snap the cover to the outlet box after the wiring.

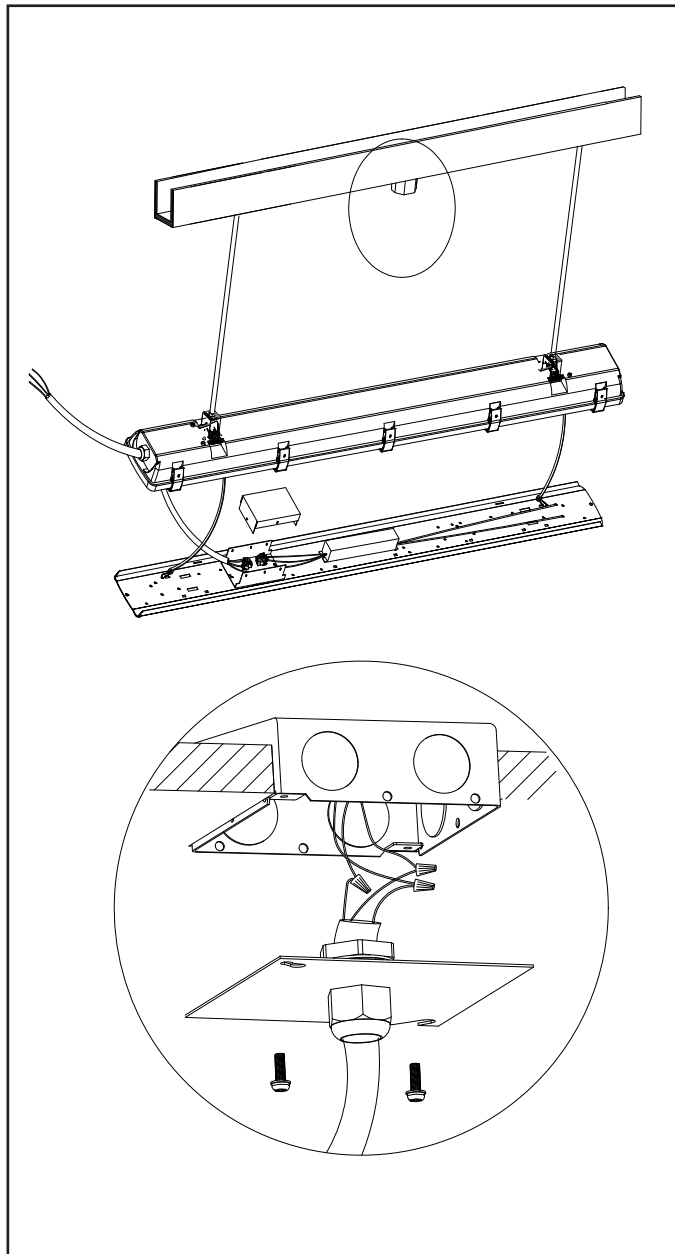


# Installation Instruction

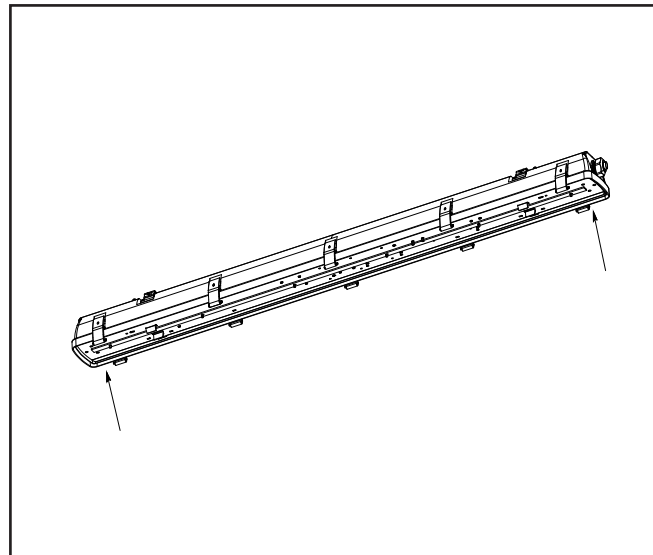
---

## Boom installation

9. Follow general wiring Diagram on Figure for reference.  
Make sure the power supply is disconnected before installing.



10. Reattach LED tray to fixture by reversing step 5.



11. Secure lens to housing with lens latches.

