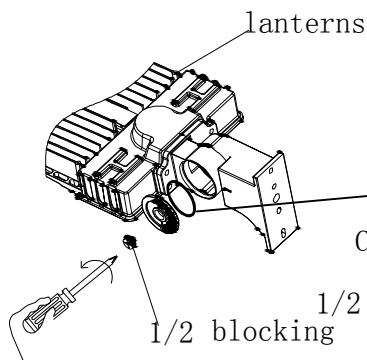


Description of optical control accessories

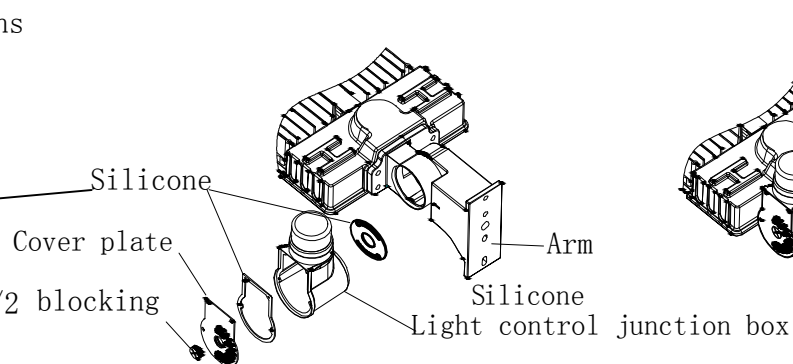
Install

Step 1



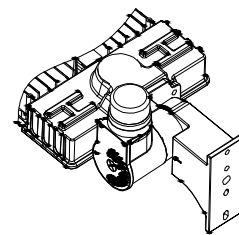
1. Remove the round cap on the luminaire and unscrew the 1/2 screw.

Step 2



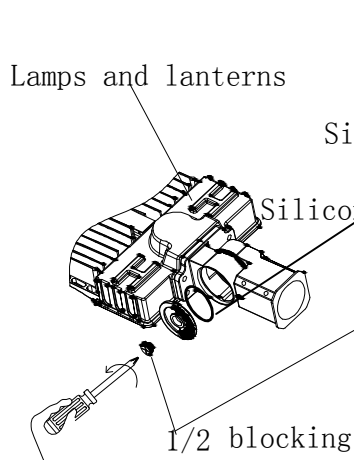
3. The lamp control terminal box is assembled according to the disassembly chart and is correctly connected with the AC power supply line. (as shown)

Step 3



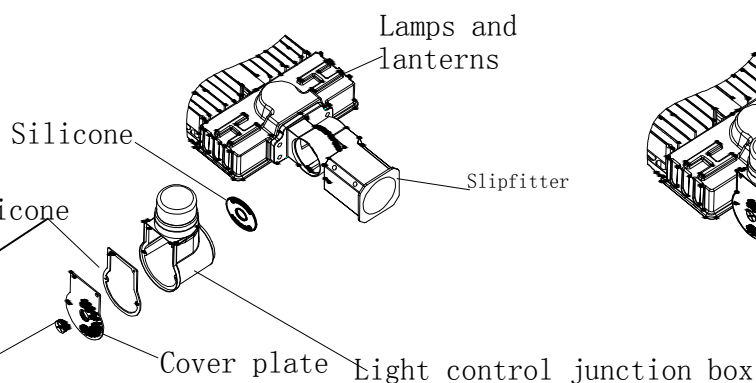
2. Remove the components of the light control junction box and install the light control junction box on the lamp (ARM installation mode).

Step 1



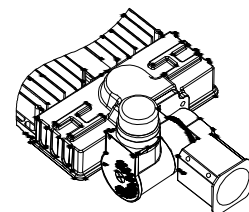
1. Remove the round cap on the luminaire and unscrew the 1/2 screw.

Step 2

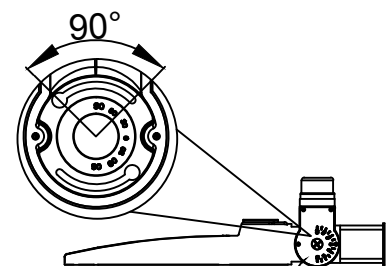
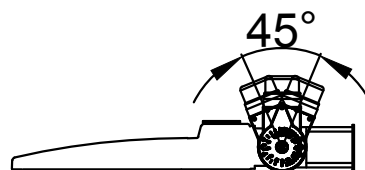
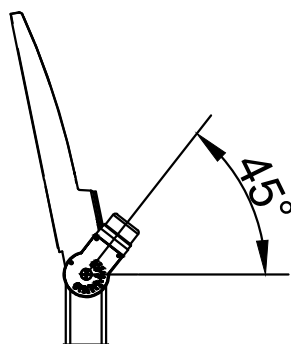


3. The lamp control terminal box is assembled according to the disassembly chart and is correctly connected with the AC power supply line. (as shown)

Step 3



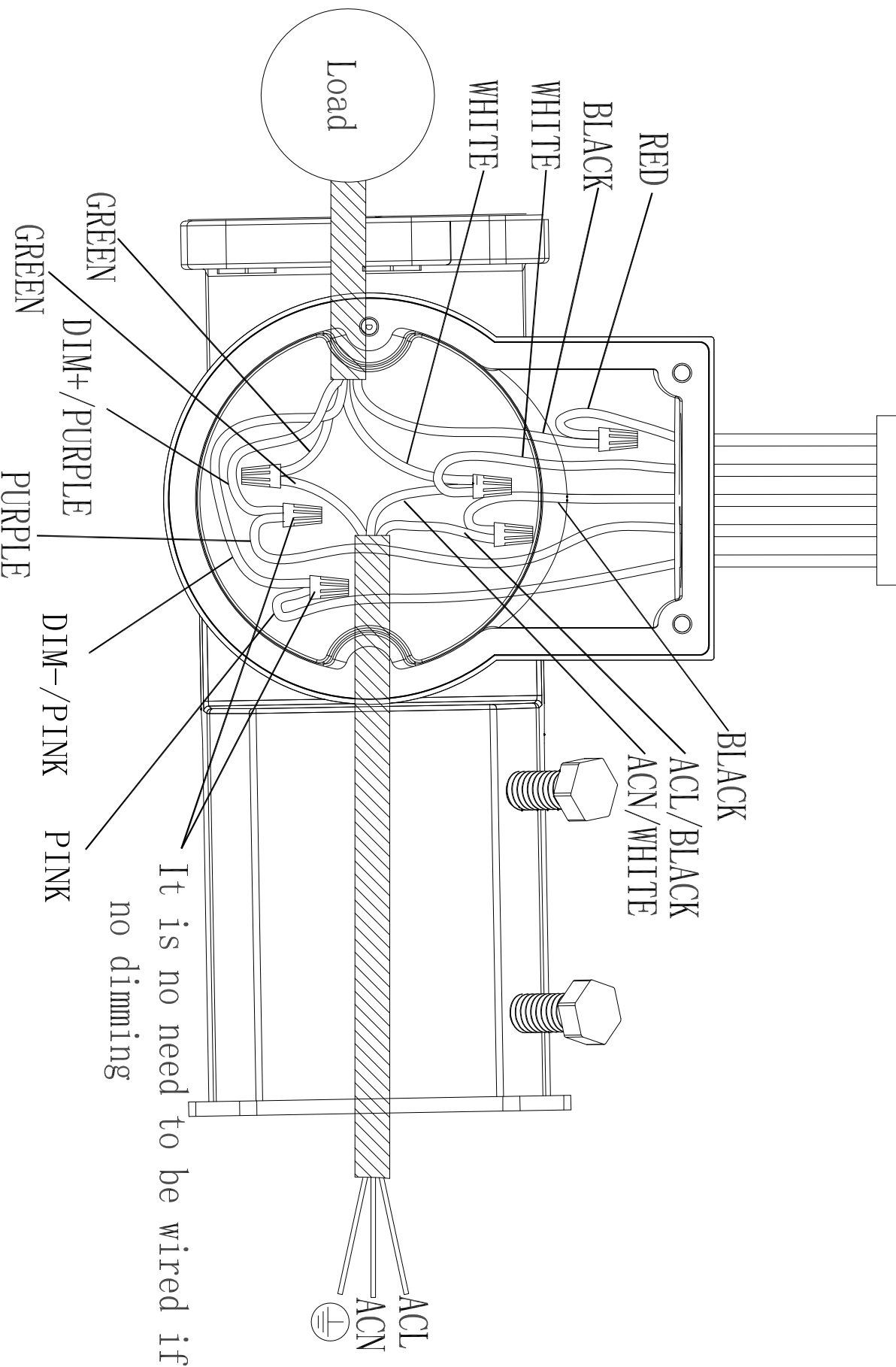
2. Remove the components of the light-controlled junction box and install the light-controlled junction box on the lamp (equipped with SLIPFITER installation mode).



The light source controls the vertical ground or inclines 25 degrees to the ground

ground

5 PIN Photocell Mount



It is no need to be wired if
no dimming

ACL
ACN
⊖

