

Product Features

- Constant voltage power supply.
- Protection category: Short circuit.
- Type of cooling: natural air cooling.
- PC shell material.
- Drive mode: Constant pressure, isolated.
- Suitable for LED controller power supply.
- 100% full load aging test.
- Power potting flame retardant thermal silica gel



Certification

UL and CE and RoHs

Model List

| Specification model | Output Voltage Range | Output current Range | Input Power Range | Power Factor | Efficiency |
|---------------------|----------------------|----------------------|-------------------|--------------|------------|
| MSPU-12V03 | 11.4-12.6V | 0-250mA | 5-5.5W | 0.5 | 77% |

Note: 1. Input voltage range: 100 ~ 277Vac. Frequency: 50 / 60HZ

2. Default tested at 120Vac, full load, Ta 25°C.

Electrical Specifications

| Parameter | Min | Typ | Max | Remarks |
|---------------------------|--------|-----|--------|-----------------------------|
| AC input range | 100Vac | - | 277Vac | |
| Input frequency range | 47HZ | - | 63HZ | |
| Input AC Current | - | - | 0.1A | 100Vac, 100% full load. |
| Inrush Current | - | - | 20A | 230Vac, 25 °C, cold start |
| Efficiency | - | 72% | - | |
| Input power | - | - | 5.5W | |
| Output power | - | - | 3.6W | 100~277Vac, 100% full load. |
| Constant Voltage accuracy | - | ±5% | - | 100~277Vac, 100% full load. |
| Load Regulation | - | ±3% | - | |

The Short Circuit Protection : recovering automatically after short circuit condition is removed

General Specifications

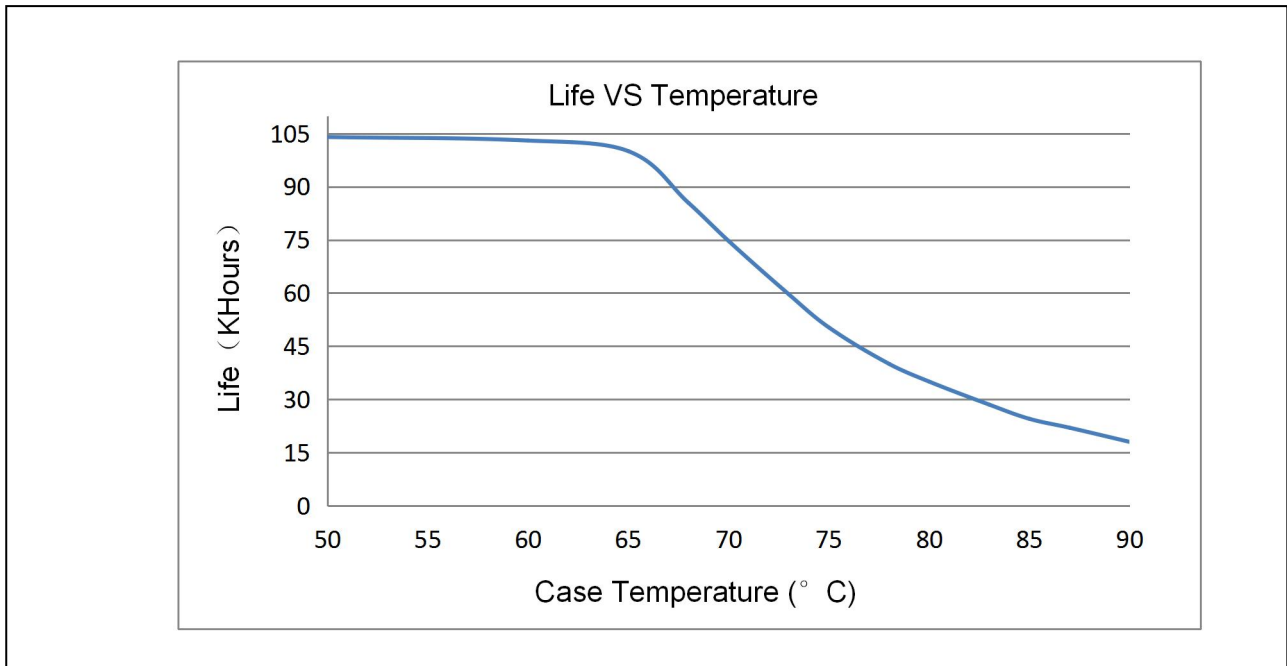
| Parameter | Min | Typ | Max | Remarks |
|----------------------------|-------------------|-----|-------|--|
| No-load power consumption | - | - | 0.6W | |
| Humidity | 0 | | 80%RH | 120Vac, Case Temperature: 75°C, 100%full load. |
| Operating Case Temperature | - | - | +90°C | |
| Storage Temperature | -40°C | - | +80°C | Humidity: 10%RH to 95%RH, no condensation. |
| Dimensions (mm) | L67 × W26.7 × H23 | | | |
| Net Weight | - | 40g | - | |

Note: Case temperature testing point locates at the arrowhead.

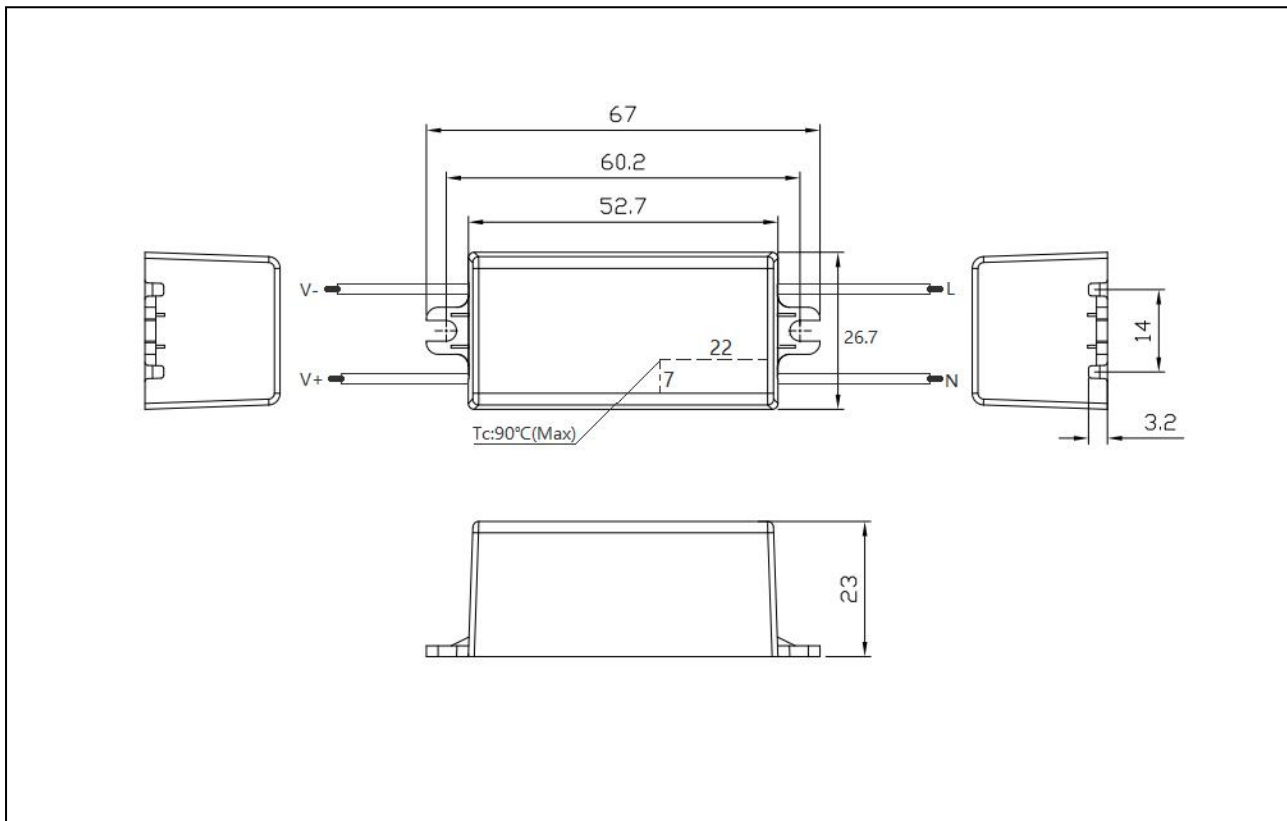
Safety & EMC Compliance

| Safety Category | Standard |
|-------------------|---|
| UL/CUL | |
| Withstand Voltage | Remarks |
| I/P-O/P | 3.75KVAC |
| EMC | Remarks |
| | Test Standard Used: FCC Rules and Regulations Part 15 Subpart B ClassB2012:ANSI C63.4:2009 |

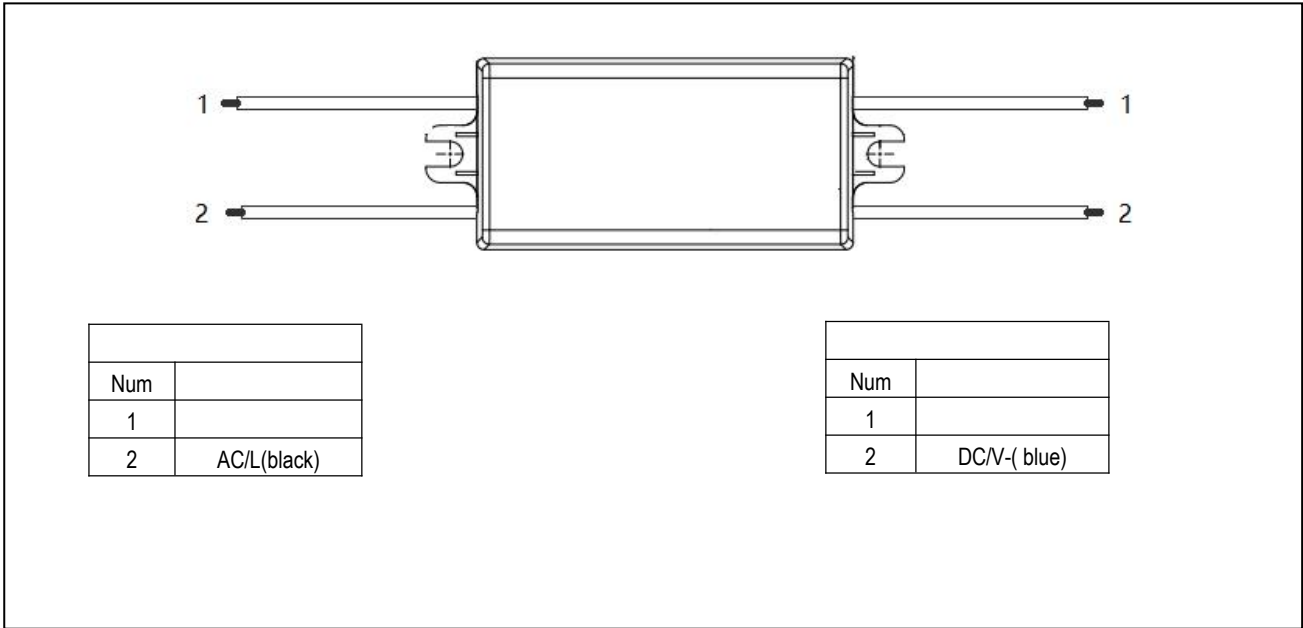
Life curve



Mechanical Dimensions (Unit: mm)



Recommended mounting direction



Block diagram

