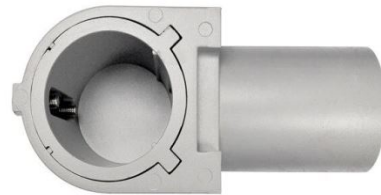
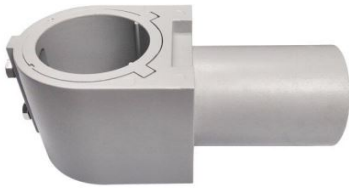




Round Post Top Adaptor



Order Number:

- WSD-ADP25-30-S Sliver
- WSD-ADP25-30-W White
- WSD-ADP25-30-D Dark Bronze

MOUNTING

- LED Street Light connector Provide two different installation methods:
- 1、 2.5 inch installation.
- 2、 3 inch of installation.

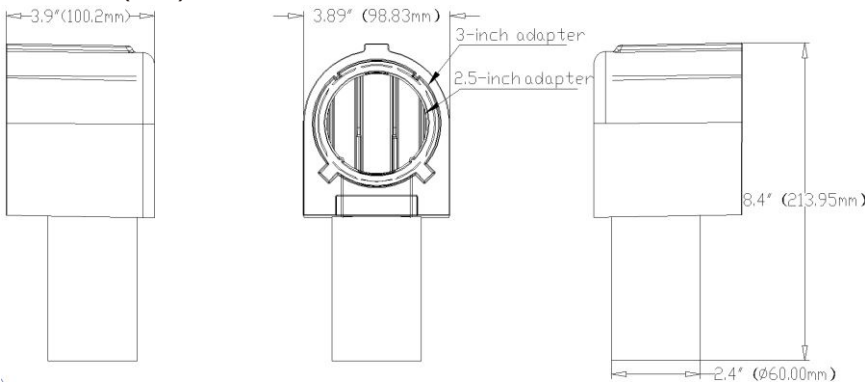
2.5 inches of installation

WISDOM LED Street Light connector:

- 1、 Transfer the 2.5-inch adapter to the 3-inch adapter.
- 2、 Reconnect the adapter to the 2.5-inch lamppost.

1.Specifications

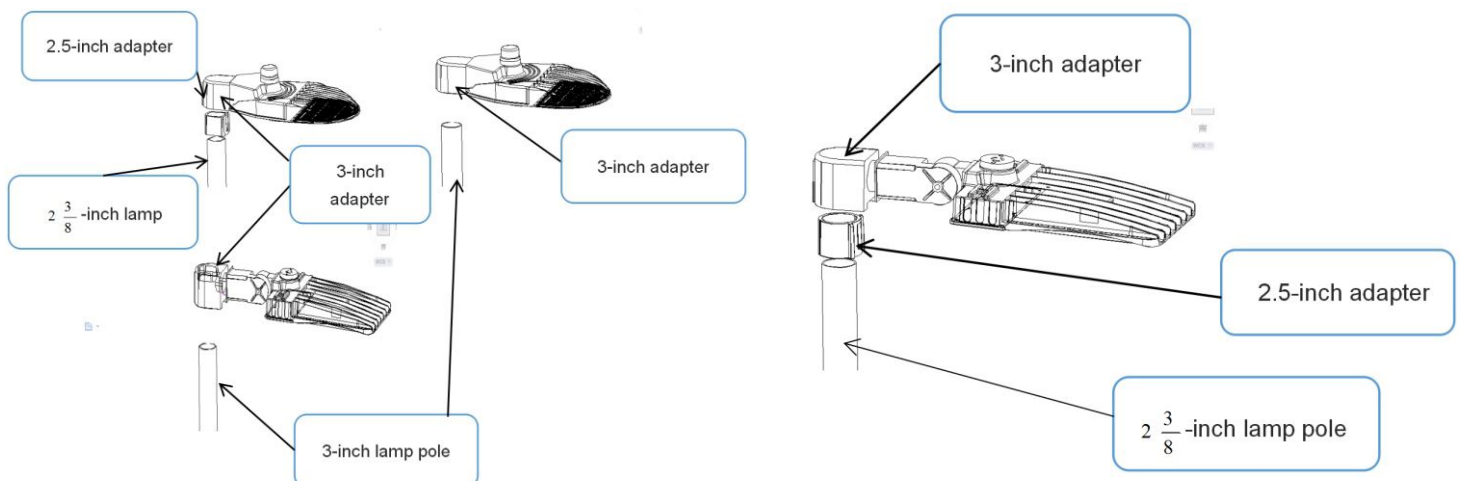
Unit : inch (mm)



Structure Features

- Shell materials: Die casting aluminum
- Finish: Silver/Dark Bronze/White
- Net weight : 1.75Kg (3.86 lbs)
- Product Size: 213.95mm*98.83mm*100.2mm
- Carton Size: 220mm*114mm*114mm

2.Installation diagram



3. inches of installation Put the adapter on the 3-inch lamppost

WISDOM OPTOELECTRONICS TECHNOLOGY CO., LIMITED

Add: FLOOR 8,BUILDING B1 SUNSHINE INDUSTRIAL PARK HEZHOU
XIXIANG BAOAN DISTRICT SHENZHEN, GUANGDONG , CHINA, 518126.

Tel: +86 755 2744 8585
+86 755 2744 8884
Fax: +86 755 2744 8089
Email: leo.zhu@wisdom-ssl.com
Website: www.wisdom-ssl.com