

# LED Emergency Light

## TYPE: EM110,EM114,EM119

LED Emergency Light accord with US STANDARD - Injection-molded, flame-retardant and high impact thermoplastic housing. 120V/277V AC universal voltage operation. This exit sign with design is great for placing on doorways, isles, restaurant, office building and warehouses.



**EM110**



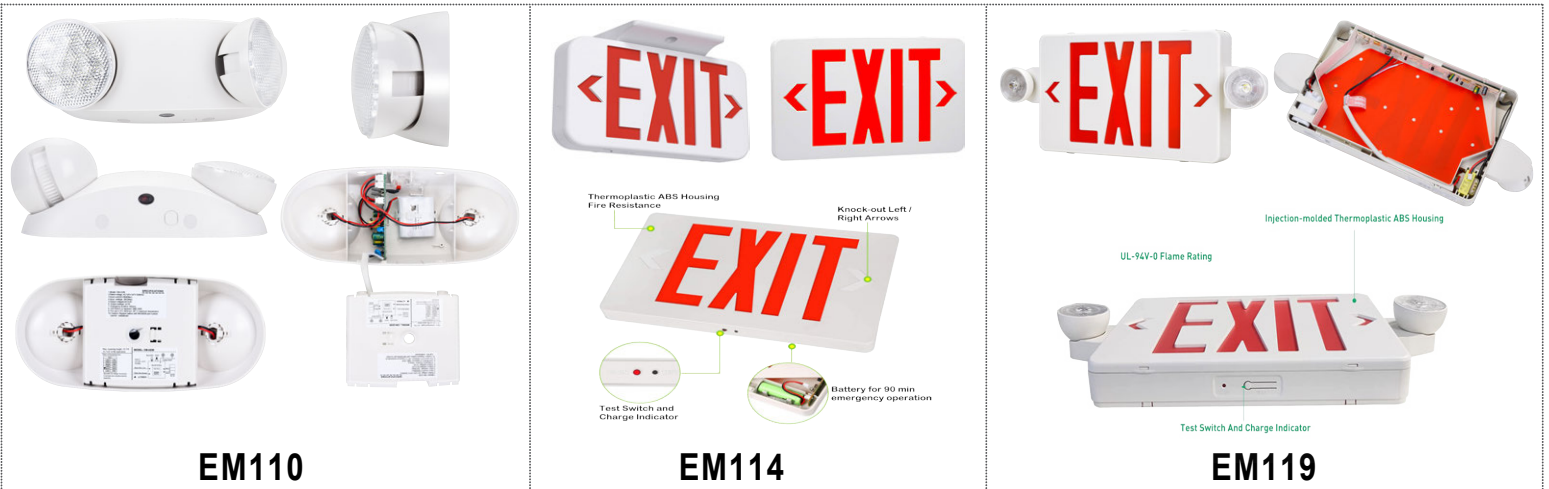
**EM114**  
Standard: Double-sided display



**EM119**  
Standard: Single side display



### PRODUCT DISPLAY:

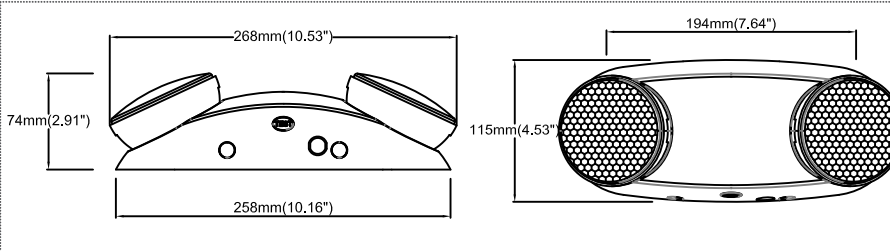
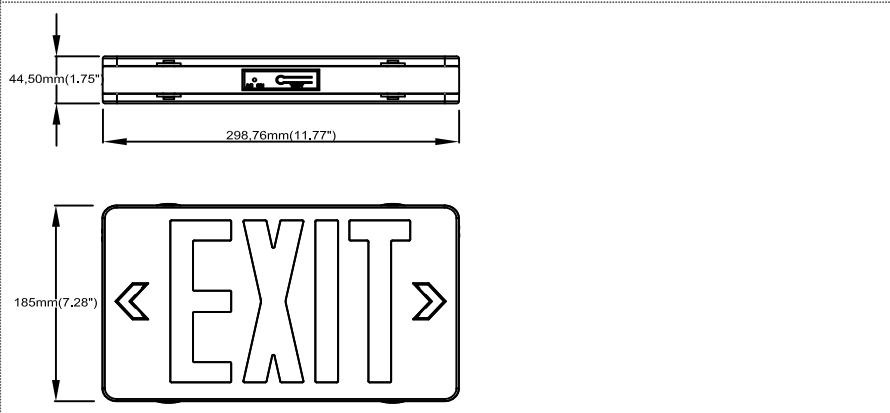
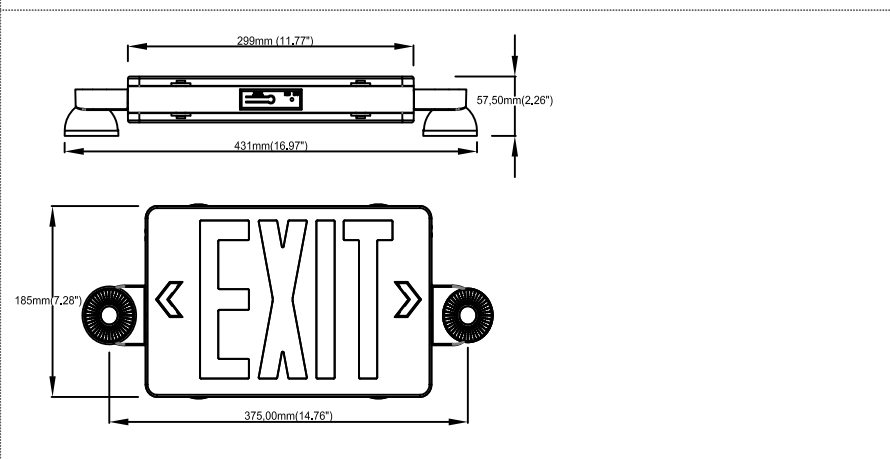


SPECIFICATION			
TYPE	WSD-EM110	WSD-EM114	WSD-EM119
WORKING VOLTAGE	120-277V 50Hz/60Hz	120V / 277V 50Hz/60Hz	120V / 277V 50Hz/60Hz
EFFICACY	0.97		0.86
INPUT WATTAGE	4.5W		5W
INPUT CURRENT	0.03A		0.04A
RECHARGE TIME		24 Hours	
OUTPUT WATTAGE	2W	1W	2W
EMERGENCY DURATION		≥90 Mins	
BATTERY	3.6V 600 mA h	1.2V 800 mA h	3.6V 1000 mA h
LUMEN	300lm	NONE	250lm
ENVIRONMENT		DAMP	
WORKING TEMPERATURE		5°C ~ 30°C	
CERTIFICATION		ETL	
CABLE		Input Connect, No cable	
WARRANTY		2 year limited	

# LED Emergency Light

TYPE: EM110,EM114,EM119

## DIMENSION:

	<table border="1"> <tr> <td>WATTAGE</td> <td>WSD-EM110</td> </tr> <tr> <td>NT. WEIGHT</td> <td></td> </tr> <tr> <td>OUTER BOX</td> <td>34.5" x 11.4" x 10.2"(20Pcs/CTN )</td> </tr> </table>	WATTAGE	WSD-EM110	NT. WEIGHT		OUTER BOX	34.5" x 11.4" x 10.2"(20Pcs/CTN )
WATTAGE	WSD-EM110						
NT. WEIGHT							
OUTER BOX	34.5" x 11.4" x 10.2"(20Pcs/CTN )						
	<table border="1"> <tr> <td>WATTAGE</td> <td>WSD-EM114</td> </tr> <tr> <td>NT. WEIGHT</td> <td>1.72 lbs(N.W)</td> </tr> <tr> <td>OUTER BOX</td> <td>24.4" x 12.6" x 15.8"(20Pcs/CTN )</td> </tr> </table>	WATTAGE	WSD-EM114	NT. WEIGHT	1.72 lbs(N.W)	OUTER BOX	24.4" x 12.6" x 15.8"(20Pcs/CTN )
WATTAGE	WSD-EM114						
NT. WEIGHT	1.72 lbs(N.W)						
OUTER BOX	24.4" x 12.6" x 15.8"(20Pcs/CTN )						
	<table border="1"> <tr> <td>WATTAGE</td> <td>WSD-EM119</td> </tr> <tr> <td>NT. WEIGHT</td> <td>2.07 lbs(N.W)</td> </tr> <tr> <td>OUTER BOX</td> <td>15.4" x 12.6" x 15.8"(10Pcs/CTN )</td> </tr> </table>	WATTAGE	WSD-EM119	NT. WEIGHT	2.07 lbs(N.W)	OUTER BOX	15.4" x 12.6" x 15.8"(10Pcs/CTN )
WATTAGE	WSD-EM119						
NT. WEIGHT	2.07 lbs(N.W)						
OUTER BOX	15.4" x 12.6" x 15.8"(10Pcs/CTN )						

## ORDERING INFORMATION

EXAMPLE:

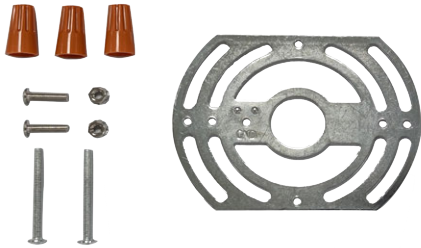
WSD-EM110 / WSD-EM114 / WSD-EM119

<b>WSD</b>	<b>EM</b>	<b>110</b>	<b>ZG</b>
COMPANY	PRODUCT	CODE	FINISH
WSD LED INC	EM Emergency Light	110/114/119 Product Code	ZG(Green) ZR(Red) <b>(There are only 114 and 119 products)</b>

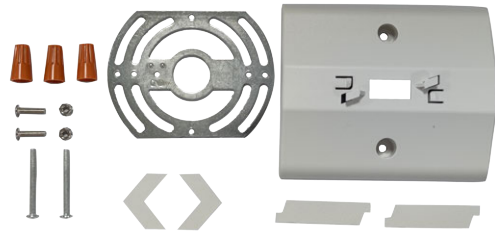
# LED Emergency Light

## TYPE: EM110,EM114,EM119

### ACCESSORIES (Standard)



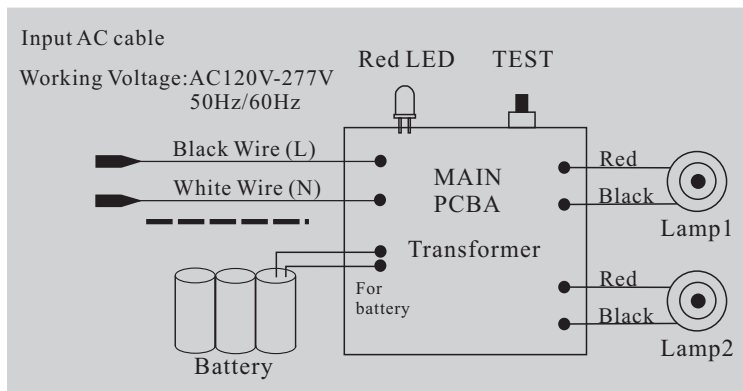
**EM110**



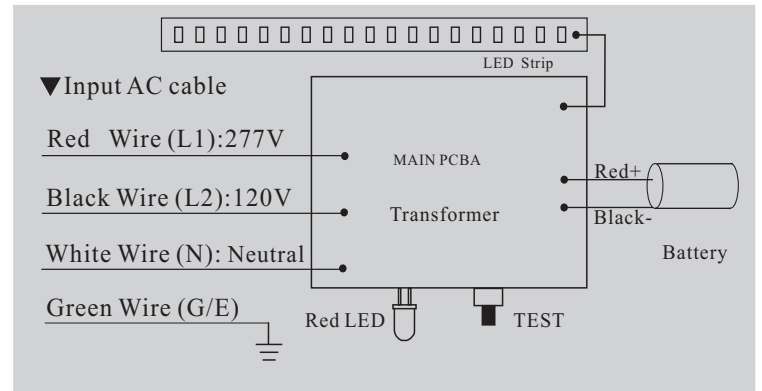
**EM114/EM119**

### WIRING DIAGRAM:

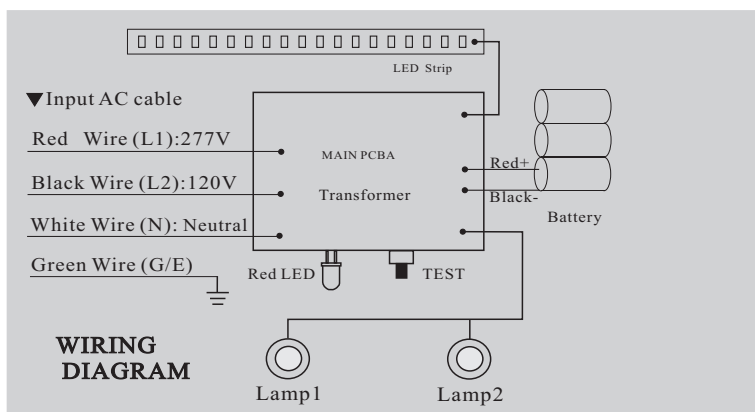
#### EM110



#### EM114



#### EM119



# LED Emergency Light

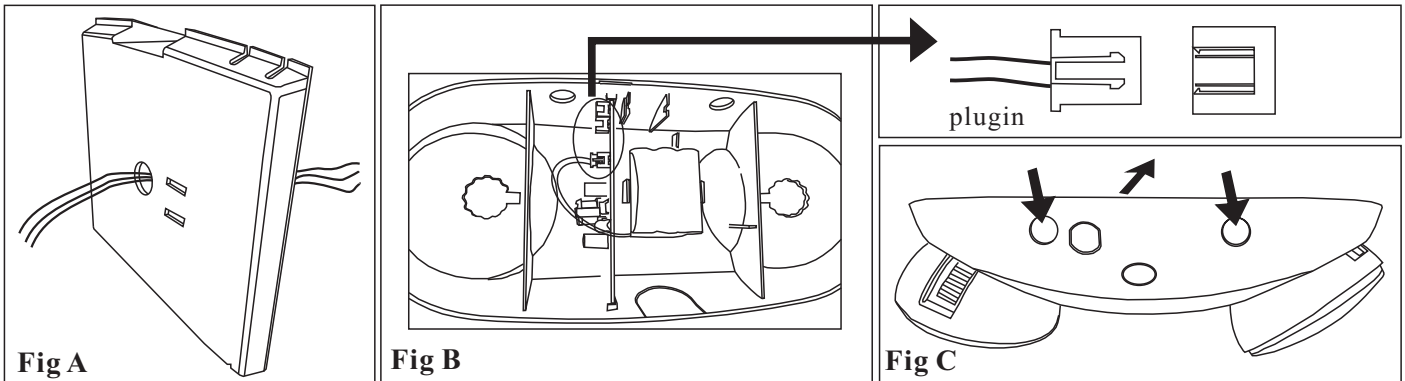
TYPE: EM110,EM114,EM119

## INSTRUCTIONS :

### WSD-EM110:

#### INSTALLATION(J-BOX MOUNTING):

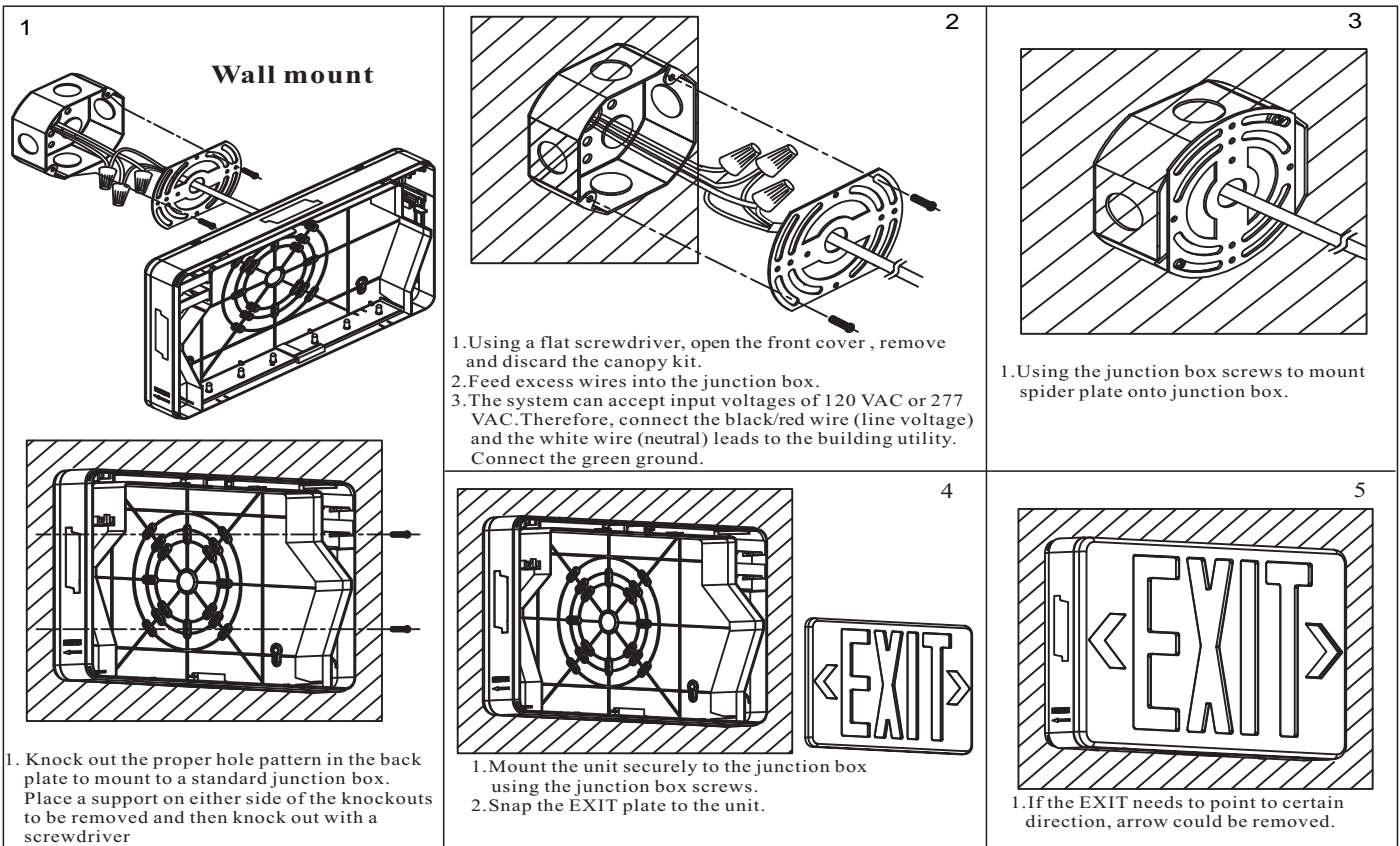
- 1 Feed fixture leads through main bottom case and connect AC power supply (Fig A).
- 2 Connect wires through J-Box .Place bottom case on J-Box and secure with screws.
- 3 Connect battery only when continuous AC power can be provided to the unit(Fig B) .
- 4 Align snaps and push housing directly onto main bottom case (Fig C) apply continuous AC power and press "TEST" button to check lamps.



#### WARNING:

Unused wires must be capped using using enclosed wire nuts.

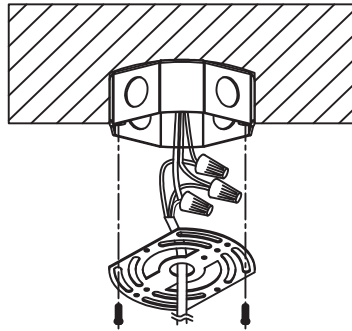
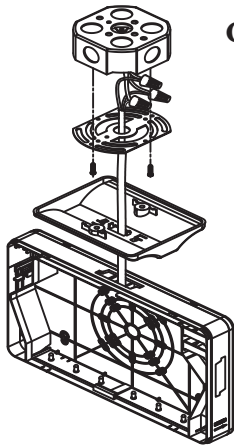
### WSD-EM114:



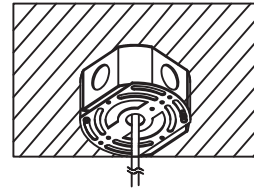
# LED Emergency Light

TYPE: EM110,EM114,EM119

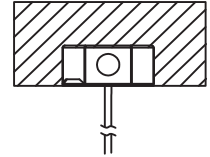
## Ceiling mount



1

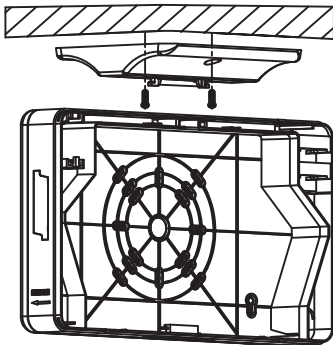


2



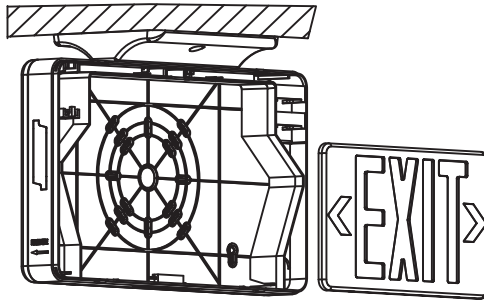
1. Using the junction box screws to mount spider plate onto junction box.

1. Using a flat screwdriver, open the front cover, remove and discard the canopy kit.
2. Feed excess wires into the junction box.
3. The system can accept input voltages of 120 VAC or 277 VAC. Therefore, connect the black/red wire (line voltage) and the white wire (neutral) leads to the building utility. Connect the green ground.



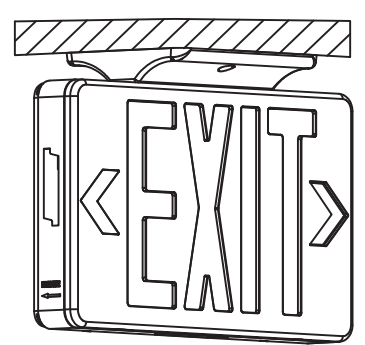
3

1. Install the canopy to junction box using the junction box screws.



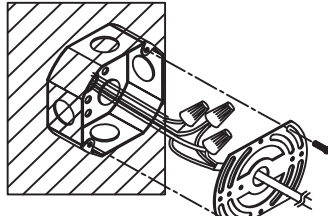
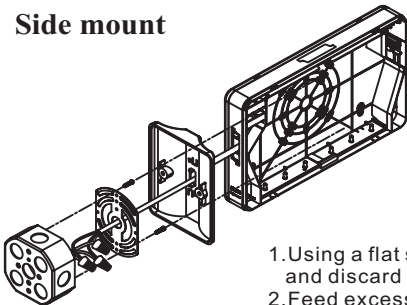
4

1. Mount the unit securely to the canopy.  
2. Snap the EXIT plate to the unit.

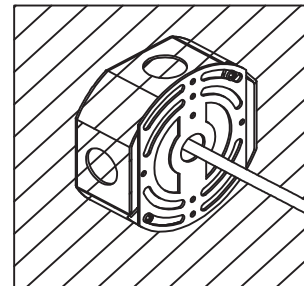


5

## Side mount



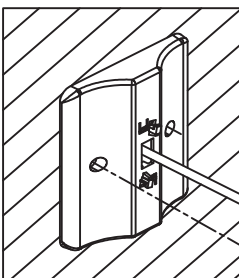
1



2

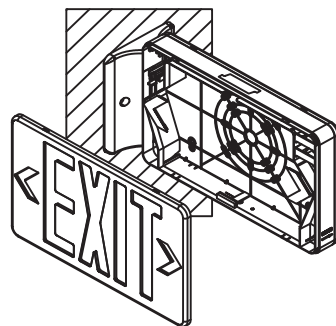
1. Using the junction box screws to mount spider plate onto junction box.

1. Using a flat screwdriver, open the front cover, remove and discard the canopy kit.
2. Feed excess wires into the junction box.
3. The system can accept input voltages of 120 VAC or 277 VAC. Therefore, connect the black/red wire (line voltage) and the white wire (neutral) leads to the building utility. Connect the green ground.



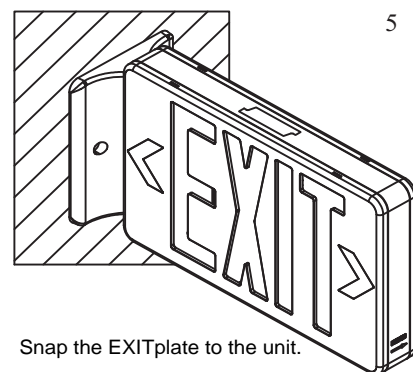
3

1. Insert the canopy onto the location where the mounting hole cover was removed



4

Mount the unit securely to the canopy



5

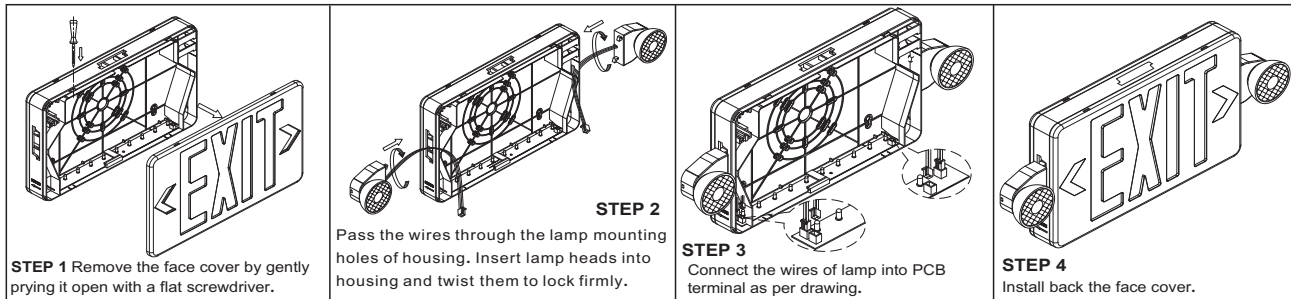
Snap the EXIT plate to the unit.



# LED Emergency Light

TYPE: EM110,EM114,EM119

## WSD-EM119:



## INSTALLATION DIAGRAM

