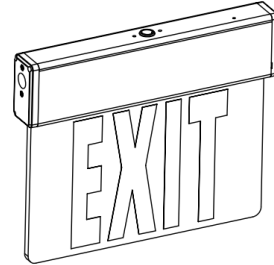


# INSTALLATION INSTRUCTIONS FOR EMERGENCY LIGHTING

## Package Contents

Part	Description	Quantity
1	Emergency Lighting	1
2	Hardware Kit	1



## Warnings and Cautions

### IMPORTANT SAFEGUARDS

#### READ AND FOLLOW ALL SAFETY INSTRUCTIONS

1. Review the diagrams thoroughly before beginning.
2. All electrical connections must be in accordance with local codes, ordinances and the National Electric code.<sup>3</sup>
3. Disconnect power at fuse or circuit breaker before installing or servicing.
4. Do not use outdoors.
5. Do not mount in hazardous locations, or near gas or electric heaters.
6. Do not let power cords touch hot surface.
7. Equipment should be mounted in locations and at heights where it will not be subjected to tampering by unauthorized personnel.
8. The use of accessory equipment not recommend by the manufacturer may cause an unsafe condition.
9. Do not use this equipment for other than intended use.
10. All servicing should be performed by qualified personnel only.
11. Allow battery to charge for 24 hours before first use.
12. For connection to a single source of supply such that all lamps are simultaneously illuminated.

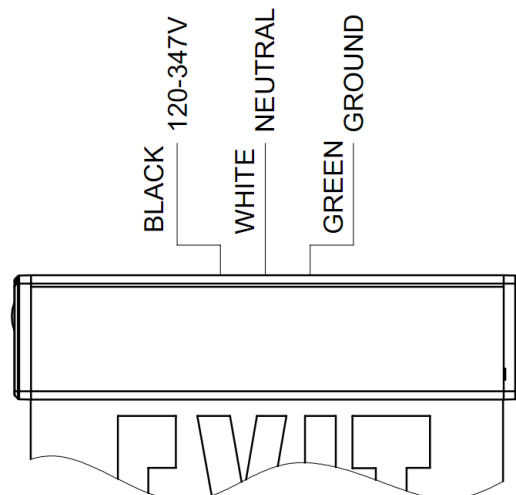
### SAVE THESE INSTRUCTIONS

#### ELECTRIAL CONNECTIONS

Make the proper AC wire connections.

Connect the black, white and green wires  
to the building utility.

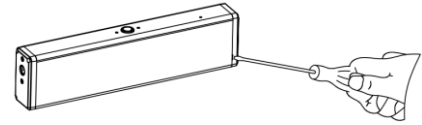
Use standard wires nuts to connect to wires.



# Mounting Instructions (NOTE: First turn off electricity.)

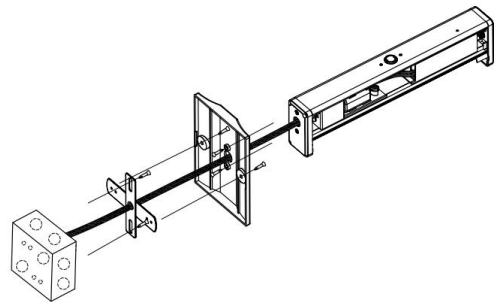
Choose mounting configuration (end, top or back mount). Plug remaining holes with the appropriate color plugs.

1. Secure canopy bracket to ceiling or wall.
2. Open the housing cover.
3. Secure housing and canopy with screws (see mounting configuration).
4. Feed the AC input leads (black, white and green) through the housing and canopy's center hole. Connect AC input leads to AC power supply leads.
5. Secure canopy into canopy bracket with 1-1/2" long #8-32 screws, then connect the battery.
6. Connect battery only after continuous AC power can be provided to the unit.
7. Snap housing cover into place.
8. Apply chevron directional indicators as required. Remove application templates when finished.



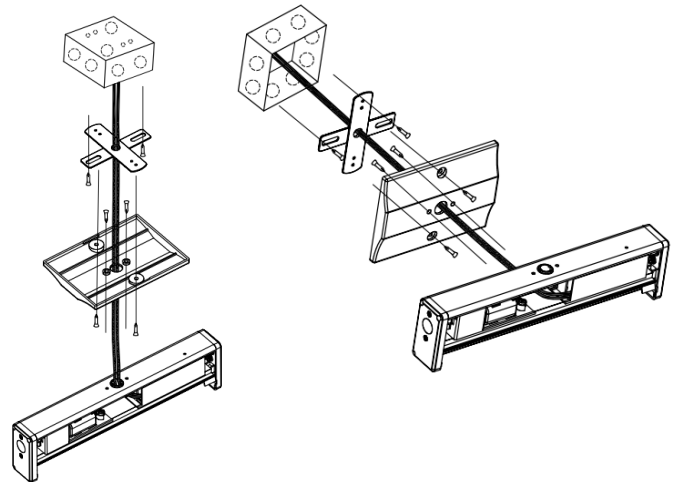
## End Mount

1. Secure canopy to end plate of fixture with (2) 3/4" #10-24 screws (included).
2. Run connection wires through large hole.
3. Make electrical connections and mount canopy to junction box using (2) 1-1/2" #8-32 screws (included).



## Top Mount

1. Secure canopy to top of fixture using 3/4" #8-32 screw and hex nut, and 1/2" center hole with threaded nipple and hex nuts (included).
2. Run connection wires through threaded nipple.
3. Make electrical connections and mount canopy to junction box using (2) 1-1/2" #8-32 screws (included).



## Back Mount

1. Mount canopy to junction box using (2) 1-1/2" #8-32 screws.
2. Run connection wires through large hole in center of canopy.
3. Secure fixture to canopy with (2) 3/4" #10-24 screws (included) by going directly into mounting holes.
4. Make electrical connections

