

# LED SEMI-CUTOFF WALL PACK

## Installation Guide



**WARNING**

### PLEASE READ ALL INSTRUCTIONS BEFORE ATTEMPTING INSTALLATION

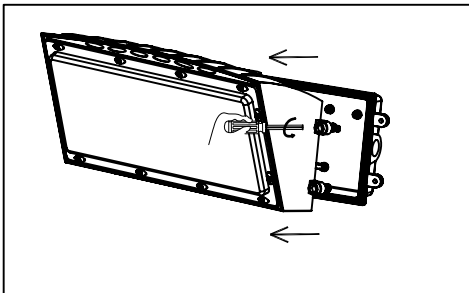
- To prevent personal injury or product damage only licensed electricians should install.
- To avoid electric shock or component damage disconnect power before attempting installation or servicing.
- This product must be installed in accordance with the national electric code (NEC) and all applicable federal, state and local electric codes and safety standards.
- Disconnect product and allow cooling prior to servicing.
- Any alteration or modification of this product is expressly forbidden as it may cause serious personal injury, death, property damage and/or product malfunction.
- To prevent product malfunction and/or electrical shock this product must be properly grounded.
- This luminaire is designed to operate in ambient temperatures ranging from -30°C to 45°C.
- Wall Pack only.

### 1. Unpacking

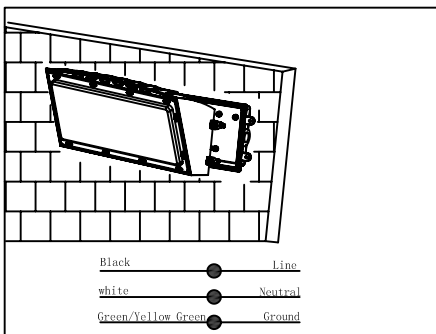
Thoroughly inspect the fixture for freight damage. Freight damage should be reported to the delivery carrier.

### 2. Installation

- 1) Take off the screw of the heat sink and take off the front lid carefully from the back. The angle between the front cap and the back cap should be 0-45 degrees.

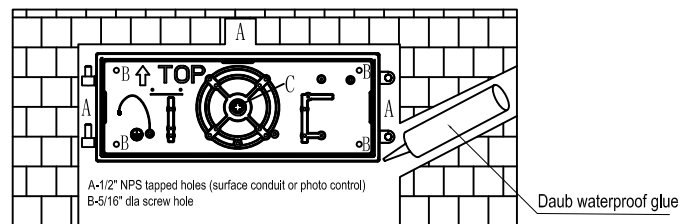


- 3) Connect wire A with wire C (The black one is L, white one is N, and the yellow one is ground wire), installing the front cap.

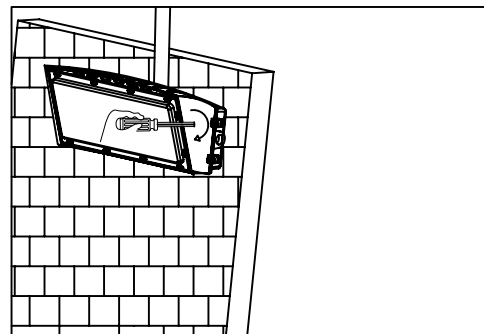


- 2) .A: After determining a place to put a conductor, take off the 1/2" cap and make a hole according to the example (B). Fix it on the wall with an appropriate screw. (Please use glue to block the hole to prevent water leakage.)

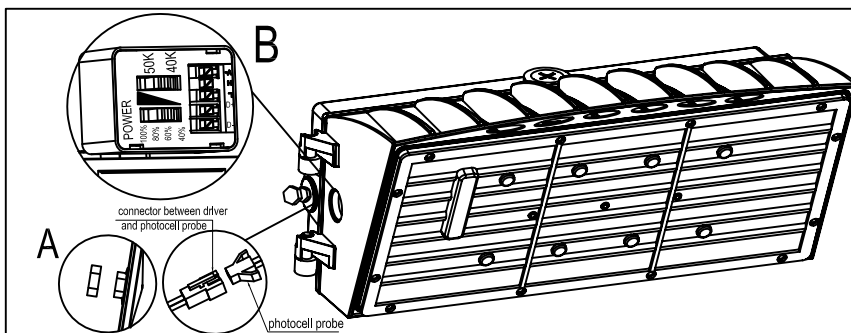
- 2) .B: When installing the junction box, take off the 1/2" cap of the C wire in the middle. This product supports standard 3 1/4" and 4" junction box. After installing the back cap on the wall, use waterproof sealer to seal it.



- 4) Make sure all wires are connected correctly, and lock up with the screw.



### 3. Field-Adjustable Wattage & CCT



- 1) If you need the light photocell function, remove the light control cover A.
- 2) Like picture B, Unscrew the plug, adjust wattage and cct as desired, and tighten the plug.

### 4. Checking

- 1) Does all the wires connect in a correct way as the pictures show below?
- 2) Is the ground lead installed appropriately?
- 3) make sure the photocell function well.

