

Installation Instruction

- Cable Suspended Mounting

Figure 1

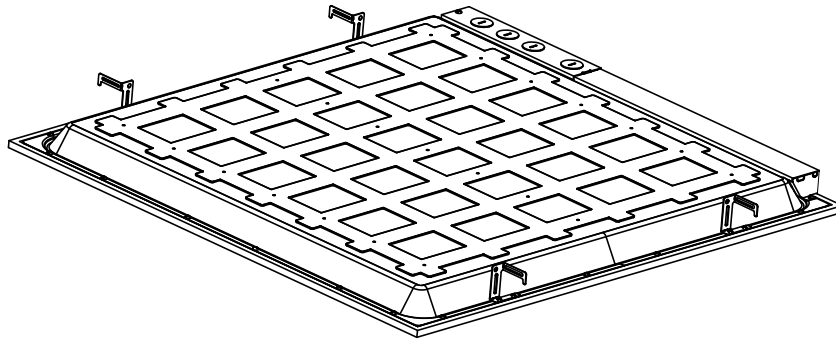
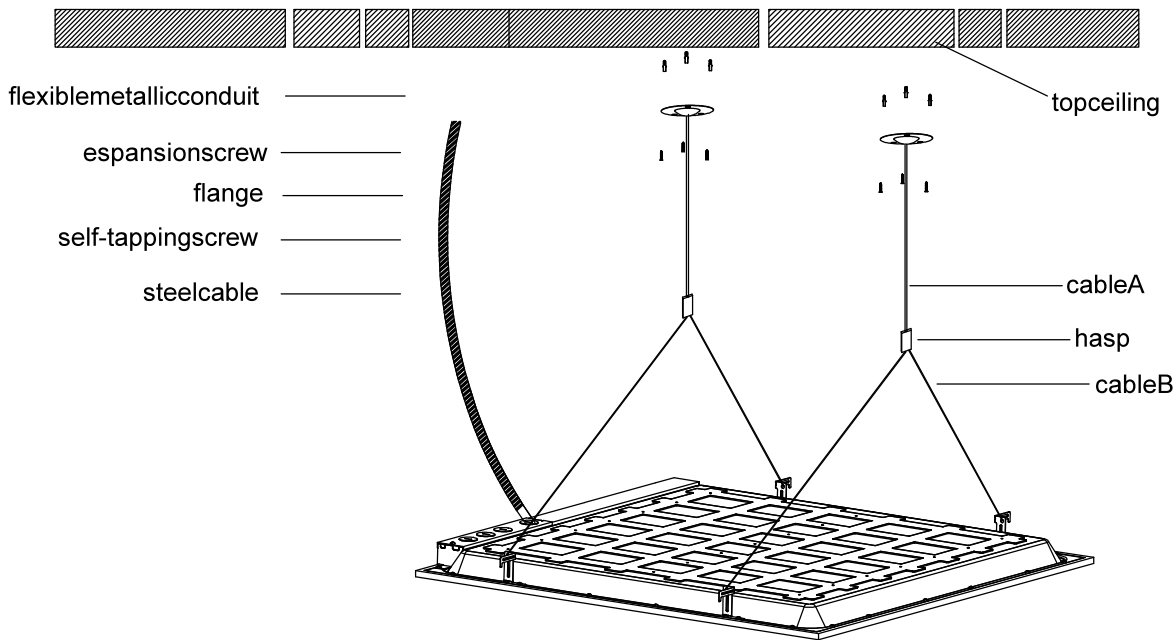


Figure 2



Installation Steps:

- Step 1: Replace the existing earth quake tabs with the provided brackets which are used for fixing adjustable cables.
 - Step 2: Pull the end cap of cable A through the provided flange and make sure the end cap positioned in the flange.
Fix the flanges onto the ceiling by the self-tapping screws.
 - Step 3: Insert the end of cable A into the hasp attached on the cable B, then adjust the cable A to be desired height and adjust the cable B to the desired angles.
 - Step 4: Hook the luminaire up to the hooks attached to the other end of cable B and make a final adjustments.
 - Step 5: Connect LED driver to AC mains power.
-

