

# Selectable LED Slim Adjustable Wall Pack

Wattages: 15W, 20W, 30W ; 40W, 60W, 80W

Selectable LED Slim Adjustable Wall Pack series can be widely used in indoor or outdoor lighting (wet location). The head tilts from 0° to 90°. Ideal for mechanical or electronic processing workshops, storage warehouses, steel mills, gas stations, toll booth, waiting rooms, the platforms of railway station, indoor stadiums.



## FEATURES

- Lumileds LED, high luminous efficiency and long working life.
- High efficiency LED Driver, the wide range input voltage AC120-277V/AC.
- Excellent optics design, greatly improve the light utilization and evenness.
- Cast Aluminum design, better cooling, light quality, LED Tj < 85°C.
- Photocell control available (Standard)
- 1-10V Dimming.

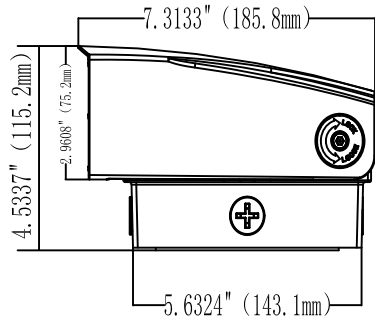


SPECIFICATION	
WATTAGE	WSD-SWP152030W27-345K-D-P   WSD-SWP468W27-345K-D-P
LUMEN	3750lm(30W&3000K)/4200lm(30W&4000K)/4050lm(30W&5000K)   10000lm(80W&3000K)/11200lm(80W&4000K)/10800lm(80W&5000K)
EFFICACY	>130 lm/W
CCT	3000K,4000K,5000K
CRI	80
INPUT VOLTAGE	120-277V
POWER FACTOR	0.90
DRIVER EFFICACY	90%
FACTORY SETTINGS	30W & 4000K   80W & 4000K
LIGHT ANGLE	90°
LIFE SPAN	50,000 hrs
WORKING TEMPERATURE	-22°F ~ 113°F
STORAGE TEMPERATURE	-40°F ~ 176°F
OUTDOOR RATING	WET
CABLE	Input Connect, No cable
WARRANTY	5 year limited

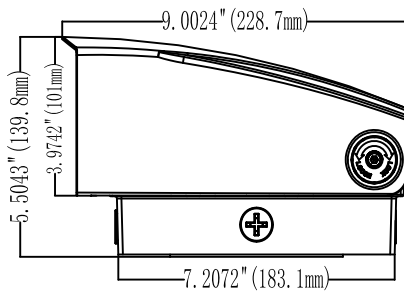
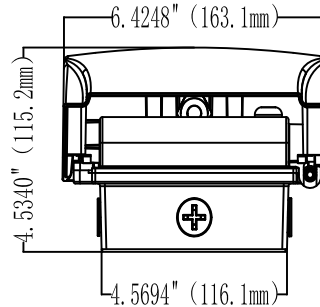
# Selectable LED Slim Adjustable Wall Pack

Wattages: 15W, 20W, 30W; 40W, 60W, 80W

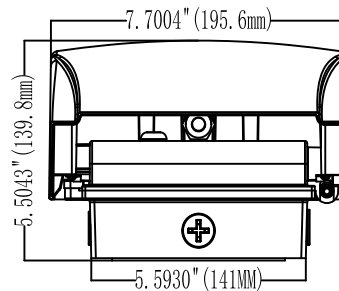
## DIMENSION:



15-30W



40-80W



<b>WATTAGE</b>	WSD-SWP152030W27-345K-D
<b>NT. WEIGHT</b>	2.99 lbs
<b>BOX DIM.</b>	8.5" x 8.35" x 6.85"(1Pcs/CTN)
	17.6" x 17.28" x 14.49"(8Pcs/CTN)

<b>WATTAGE</b>	WSD-SWP468W27-345K-D
<b>NT. WEIGHT</b>	4.85 lbs
<b>BOX DIM.</b>	10.2" x 9.72" x 7.4"(1Pcs/CTN)
	20.04" x 10.79" x 15.59"(4Pcs/CTN)

## ORDERING INFORMATION

### EXAMPLE:

**WSD-SWP152030W27-345K-Z[D,W,B,S]-Y[Blank,P] / WSD-SWP468W27-345K-Z[D,W,B,S]-Y[Blank,P]**

WSD	SWP	152030W	27	345K	Z	Y
COMPANY	PRODUCT	WATTAGE	VOLTAGE	CCT	FINISH	CONTROL
WSD LED INC	SWP Slim Adjustable Wall Pack	15W - (15W) 20W - (20W) 30W - (30W) 4W - (40W) 6W - (60W) 8W - (80W)	27 (AC120-277V)	3K - (3000K) 4K - (4000K) 5K - (5000K)	D - (Dark Bronze) W - (White) B - (Black) S - (Silver)	P - (Photocell)

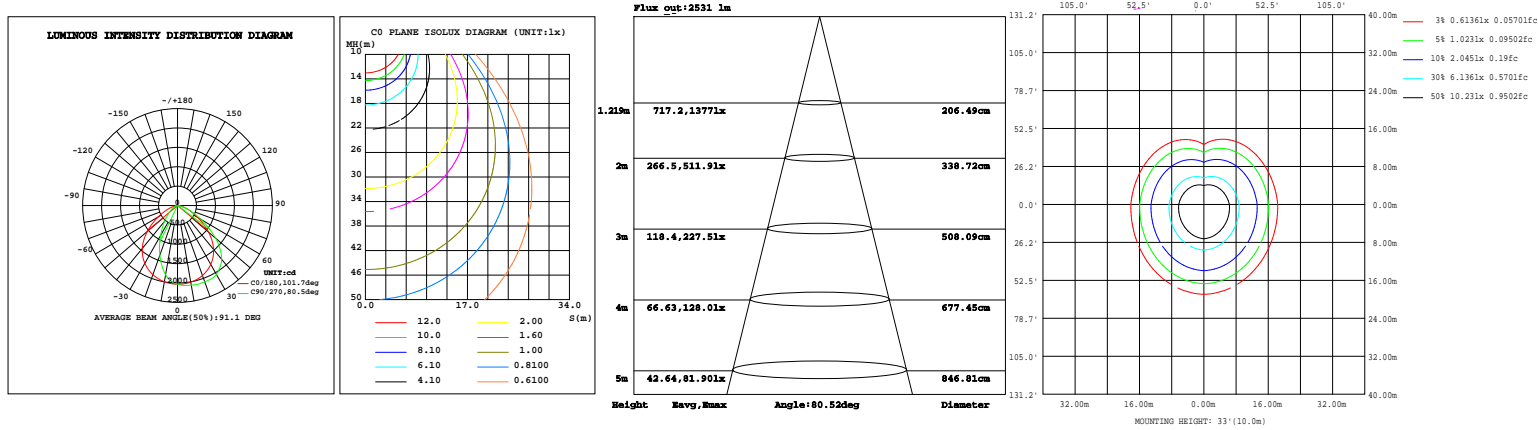
# Selectable LED Slim Adjustable Wall Pack

Wattages: 15W, 20W, 30W ; 40W, 60W, 80W

## PHOTOMETRICS

For complete IES files, please visit our website.

### WSD-SWP152030W27-345K (30W&4000K)



### WSD-SWP468W27-345K (80W&4000K)

