

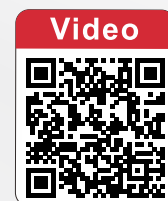
SPECIFICATION

NEXLEDS®

NEXLEDS LTD



Wet Location



SMART LED Landscape Light

NX-SRGBFL4-24W 24W

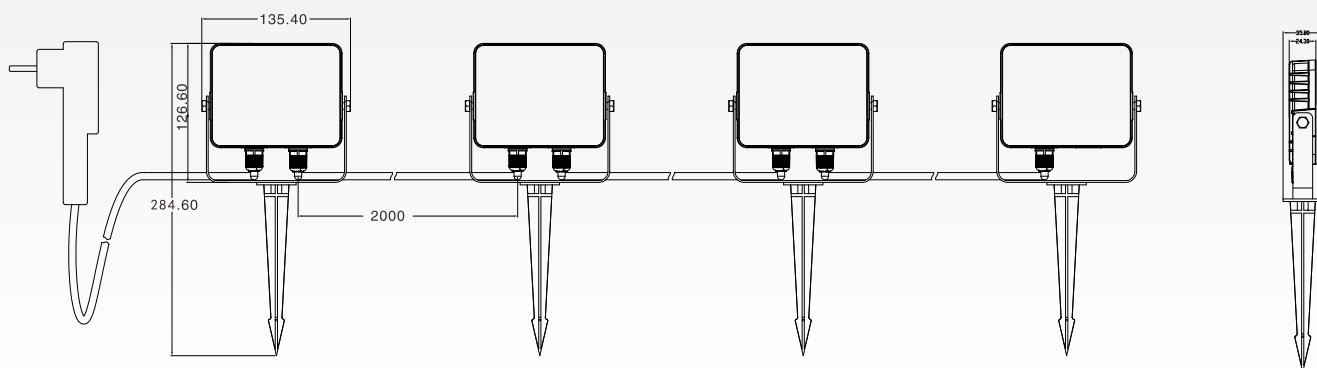
Specification

PRODUCT NAME :	SMART LED Landscape Light
QUANTITY :	4 PCS
MODEL NO. :	NX-SRGBFL4-24W
POWER INPUT :	AC100-240V ; 400mA, 24W
WORKING TEMP :	-20~40(°C)
POWER FACTOR :	0.5
CRI(RA) :	>80
COLOR :	Black shell+White glass
LIGHT SOURCE :	NationStar 2835
LUMEN :	600 lm*4
LIFE TIME :	50000 hrs
BEAM ANGLE :	110°
ADJUSTABLE ANGLE :	270°
PRODUCT SIZE :	135.4*35.8*284.6mm(Single light)
IP :	IP65
APPLICATION :	Landscape, park, villa, lawn, garden, wall, etc
WARRANTY :	5 years
STANDARD :	ETL FCC
COLOR TEMP :	RGB+3000K
CONTROL MODE:	Wifi + Bluetooth

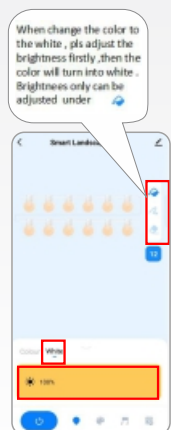
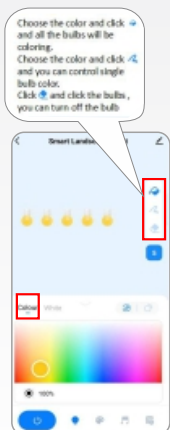
Feature:

1. ONE-CLICK control connect APP, varies romantic scene modes optional.
2. RGBW with 16 million color selectable.
3. Work with smart voice control.
4. Smart Linkage, APP remote control, group control.
5. IP65 Waterproof Rating.
6. Widely used for garden, lawn courtyard etc.

Product Dimension



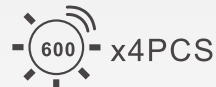
APP Control:



WIFI
ENABLED



APP
CONTROL



LUMINOUS



RGB+
3000K



APP
DIMMER



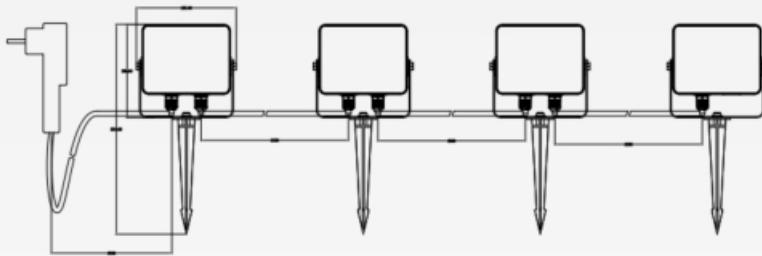
CRI(Ra)
>80

Installation:

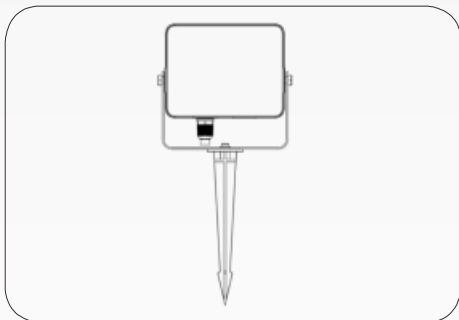
SAFETY INSTRUCTIONS

- 1.This product is rated as IP65 waterproof.It can be used outdoors but cannot be immersed in water
- 2.The power adapter is not waterprof.Avoid exposing it to splashes,water drops,or high-humidity environments.
- 3.The internal light sources of the light bars and strip light cannot be replaced.If the light soruces sustain damage, the product should be replaced.
- 4.Do not allow children to assemble and install this product weithout adult supervision.
- 5.Avoid installing this product near major heat sources

AT A GLANCE



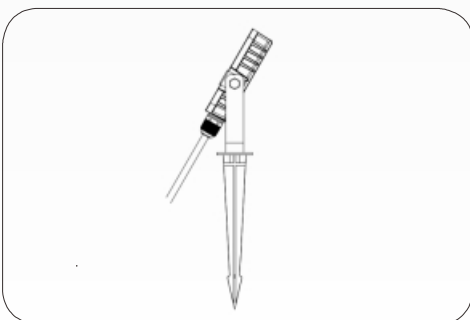
INSTALLING YOUR LANDSCAPE LIGHT



1. Attach a ground stake to the stand of each floodlight with the attached hex wrench.

Note:

If you plan to install this product on very hard ground,please separately purchase expansion bolts or metal stakes



2. Install each floodlight on the ground and adjust the angle of its beam
3. Plug the power adapter into power.

