



Product designation

Product type designation

Auxiliary supply voltage

Number of inputs

Number of outputs

Max I/O number

Starter kit  
complete with  
LRD12RA024  
base module,  
LRXSW software  
and LRXC03  
cable  
LRDKIT12RA024  
24VAC  
Nr. 8 digital  
Nr. 4 relay  
12 (8 inputs + 4  
outputs) up to 36  
with LRE  
modules

#### Power supply

Rated auxil. supply voltage		24VAC
Operating voltage range		20.4...28.8VAC
Operating frequency range	Hz	47...63
Average current consumption	mA	290
Power consumption Max	W	7

#### Digital inputs

Number of digital input	Nr.	8
Rated voltage	V	24VAC (50/60Hz)
Input signals	State 0 (OFF) State 1 (ON)	<6VAC >14VAC
Response time	0 to 1 (OFF-ON) 1 to 0 (ON-OFF)	90ms 90ms

#### Digital outputs

Number of digital output type	Nr.	4 Relay
----------------------------------	-----	------------

#### System resources

Display	LCD display, 4 lines x 16 characters
---------	--------------------------------------------

#### Connections

Terminals type	Screw
Tightening torque for terminals	max Nm 0.6 Max lbft 0.4
Conductor section	AWG/Kcmil
	min 26 max 14

IEC

min	mm <sup>2</sup>	0.14
max	mm <sup>2</sup>	2.5

**Ambient conditions**

Temperature

Operating temperature

min	°C	-20
max	°C	+55

Storage temperature

min	°C	-40
max	°C	+70

Relative humidity

%	20...90% without condensation
---	-------------------------------

**Housing**

Mounting

35mm DIN rail or screw fixing (M4x20mm)

Degree of protection

IP20

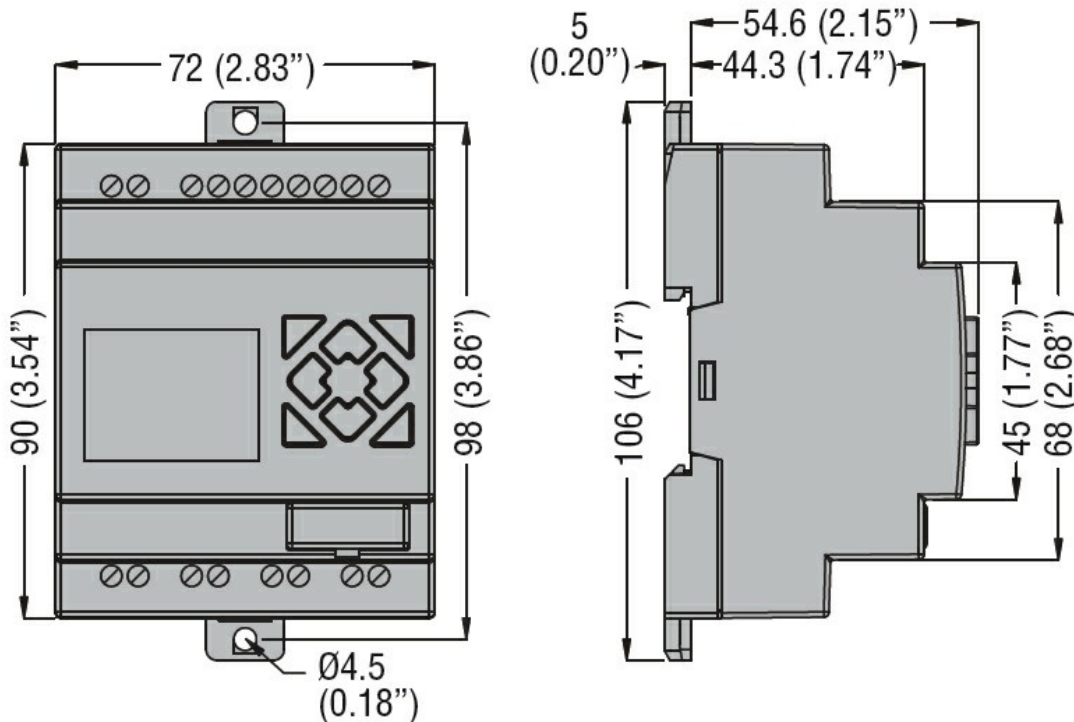
Dimensions (W x H x D)

mm	72 x 106 x 59.6
----	-----------------

Weight

g	424
---	-----

**Dimensions [mm (in)]**



**Certifications and compliance**

Compliance

CSA C22.2 n° 142

IEC/EN 61131-2

UL508

Certificates

cULus

EAC

**ETIM classification**

ETIM 8.0

EC002581 - PLC device set