



Product designation		Micro PLC - Base module
Product type designation		LRD12RD024
Auxiliary supply voltage		24VDC
Number of inputs	Nr.	6 digital + 2 digital/analog
Number of outputs	Nr.	4 relay
Max I/O number		12 (8 inputs + 4 outputs) up to 36 with LRE modules

**Power supply**

Rated auxil. supply voltage		24VDC
Operating voltage range		20.4...28.8VDC
Average current consumption	mA	125
Power consumption Max	W	4.5

**Digital inputs**

Number of digital input	Nr.	6 + 2 digital/analog
Rated voltage	V	24VDC
Input signals	State 0 (OFF) State 1 (ON)	<5VDC >15VDC

Response time	0 to 1 (OFF-ON) 1 to 0 (ON-OFF)	4ms (0.5ms for high speed) 4ms (0.3ms for high speed)
---------------	------------------------------------	--

**Analog inputs**

Number of analog input	Nr.	2 digital/analog
Analog input type		Voltage inputs
Inputs signal range	V	0...10
Resolution		0.01V
Bit of conversion	bit	10

Current consumption at	10VDC	mA	<0.17mA
Input impedance		kΩ	>40
Admissible overload		VDC	28

Sampling time		ms	5...20ms(LADDER), 2...10ms (FBD)
Maximum cable length		m / ft	≤30m/98ft (shielded wire)

**Digital outputs**

Number of digital output type	Nr.	4 Relay
-------------------------------	-----	---------

**System resources**

Display	LCD display, 4 lines x 16 characters
---------	--------------------------------------

**Connections**

Terminals type	Screw
----------------	-------

Tightening torque for terminals	max	Nm	0.6
	Max	lbft	0.4

Conductor section	AWG/Kcmil	min	26
		max	14

IEC	min	mm <sup>2</sup>	0.14
	max	mm <sup>2</sup>	2.5

**Ambient conditions**

Temperature	Operating temperature	min	°C	-20
		max	°C	+55

Storage temperature	min	°C	-40
	max	°C	+70

Relative humidity	%	20...90% without condensation
-------------------	---	-------------------------------

**Housing**

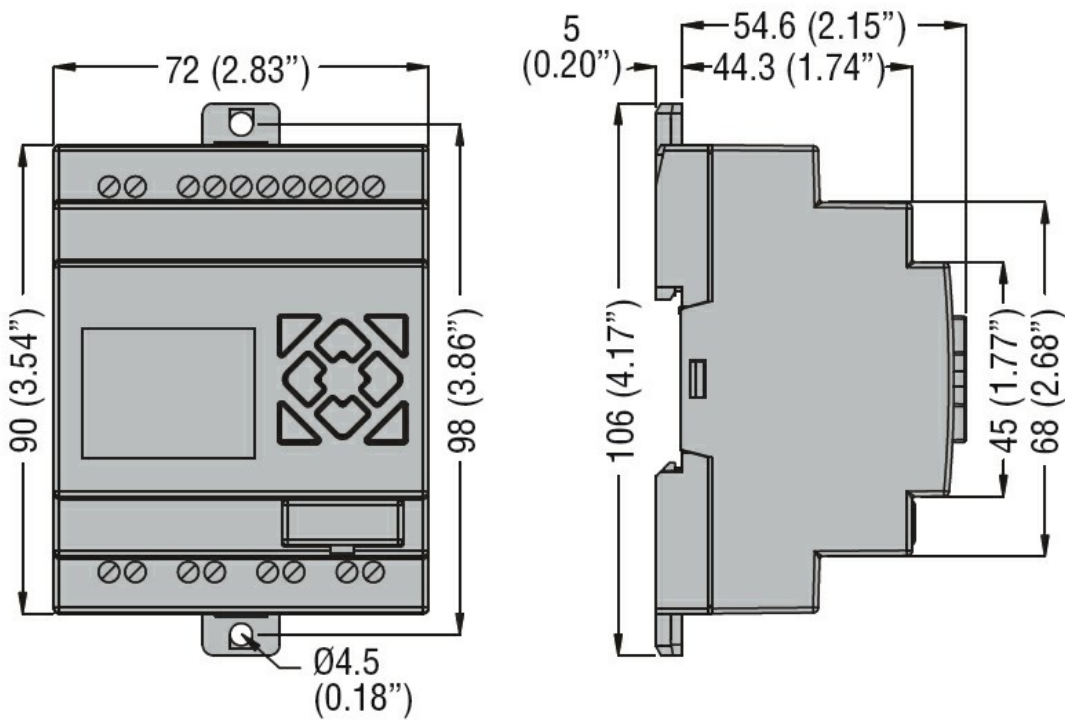
Mounting	35mm DIN rail or screw fixing (M4x20mm)
----------	---

Degree of protection	IP20
----------------------	------

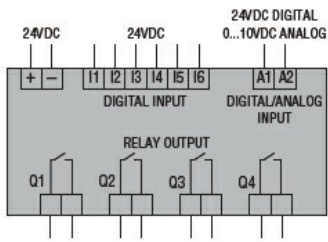
Dimensions (W x H x D)	mm	72 x 106 x 59.6
------------------------	----	-----------------

Weight	g	241
--------	---	-----

**Dimensions [mm (in)]**



### Wiring diagrams



### Certifications and compliance

#### Compliance

CSA C22.2 n° 142

IEC/EN 61131-2

UL508

#### Certificates

cULus

EAC

### ETIM classification

ETIM 8.0

EC001417 -  
Logic module