



Product designation		Micro PLC - Base module
Product type designation		LRD12RA024
Auxiliary supply voltage		24VAC
Number of inputs	Nr.	8 digital
Number of outputs	Nr.	4 relay
		12 (8 inputs + 4 outputs) up to 36 with LRE modules
Max I/O number		

Power supply

Rated auxil. supply voltage		24VAC
Operating voltage range		20.4...28.8VAC
Rated frequency	Hz	50/60
Operating frequency range	Hz	47...63
Average current consumption	mA	290
Power consumption Max	W	7

Digital inputs

Number of digital input	Nr.	8
Rated voltage	V	24VAC (50/60Hz)
Input signals		
	State 0 (OFF)	<6VAC
	State 1 (ON)	>14VAC

Response time		
	0 to 1 (OFF-ON)	90ms
	1 to 0 (ON-OFF)	90ms

Digital outputs

Number of digital output	Nr.	4
type		Relay

System resources

Display		LCD display, 4 lines x 16 characters
---------	--	--------------------------------------

Connections

Terminals type		Screw
----------------	--	-------

Tightening torque for terminals			
	max	Nm	0.6
	Max	lbft	0.4

Conductor section			
	AWG/Kcmil		
		min	26
		max	14

	IEC		
		min	mm ² 0.14
		max	mm ² 2.5

Ambient conditions

Temperature

Operating temperature

min	°C	-20
max	°C	+55

Storage temperature

min	°C	-40
max	°C	+70

Relative humidity

%	20...90% without condensation
---	-------------------------------

Housing

Mounting

35mm DIN rail or screw fixing (M4x20mm)

Degree of protection

IP20

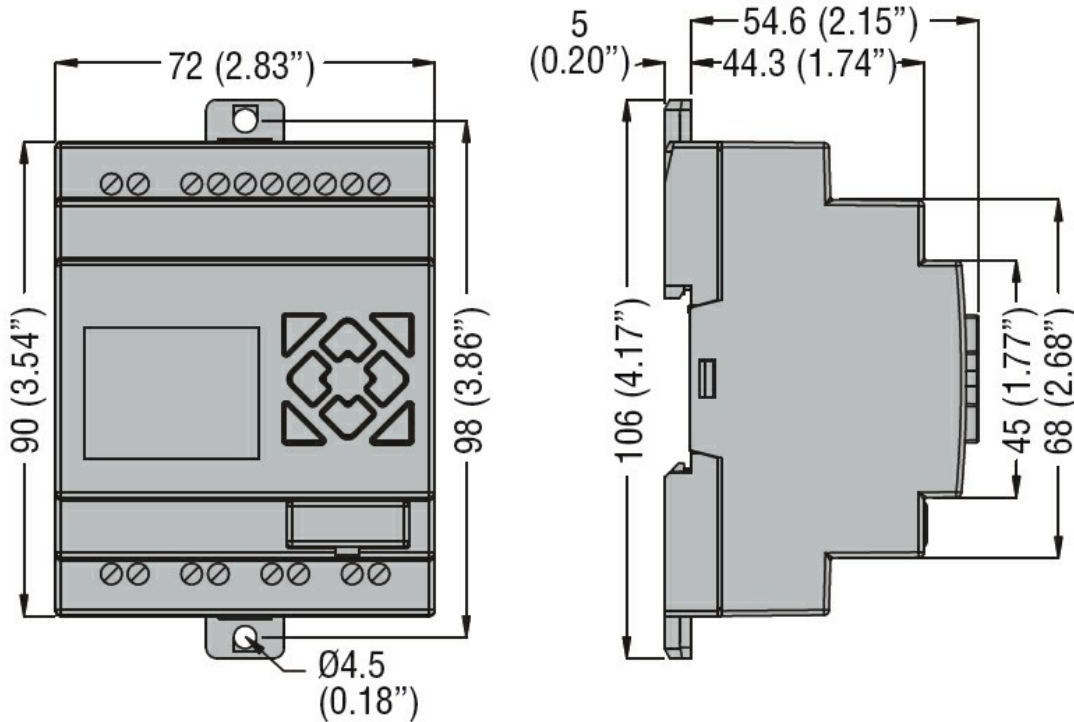
Dimensions (W x H x D)

mm 72 x 106 x 59.6

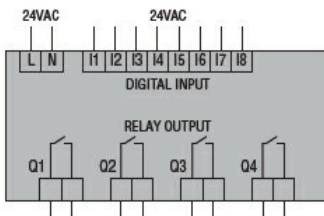
Weight

g 250

Dimensions [mm (in)]



Wiring diagrams



Certifications and compliance

Compliance

CSA C22.2 n° 142

IEC/EN 61131-2

UL508

Certificates

cULus

EAC

ETIM classification

ETIM 8.0

EC001417 -
Logic module