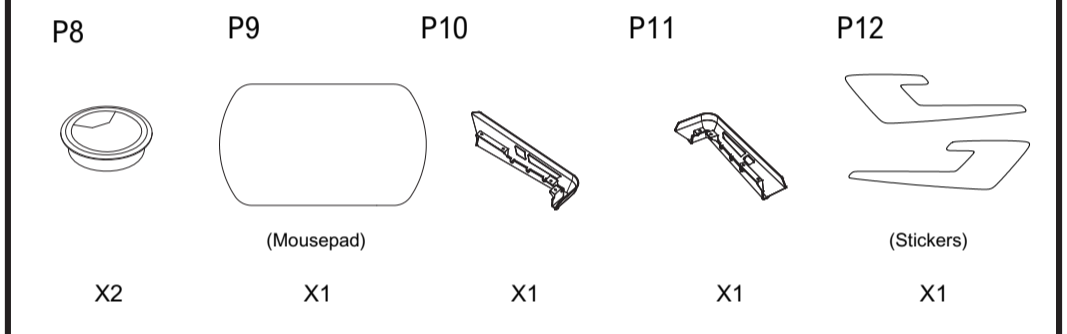
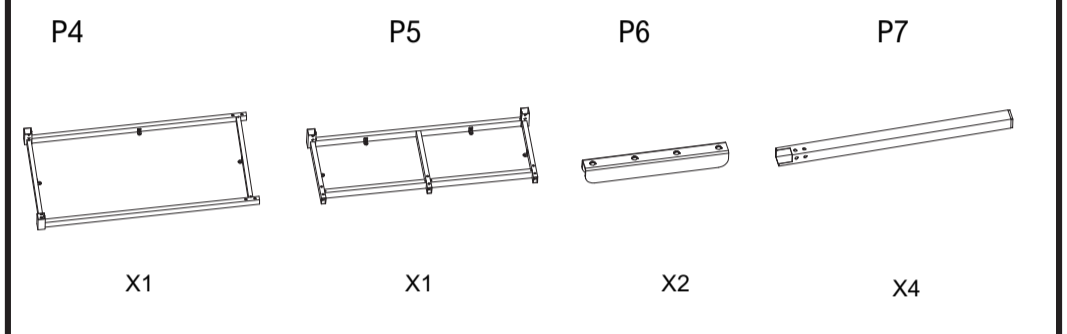
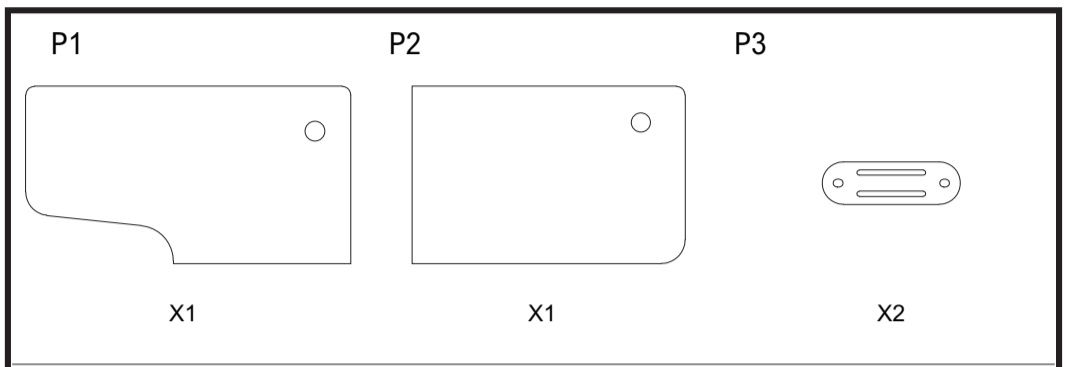
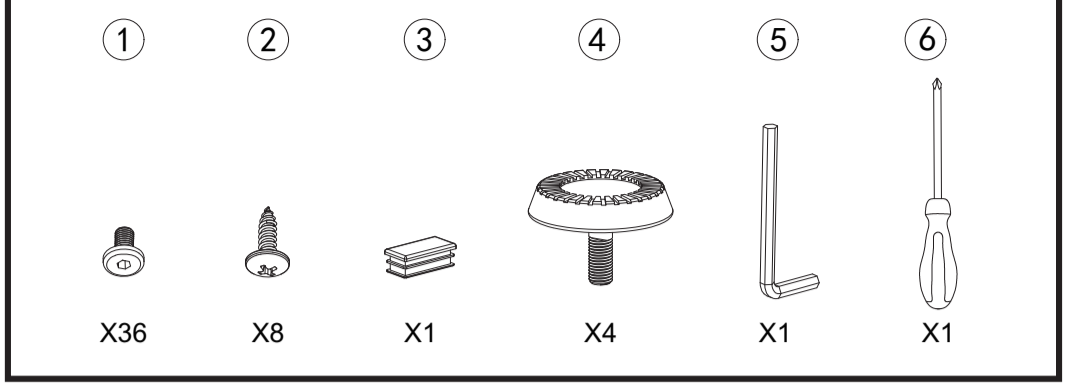
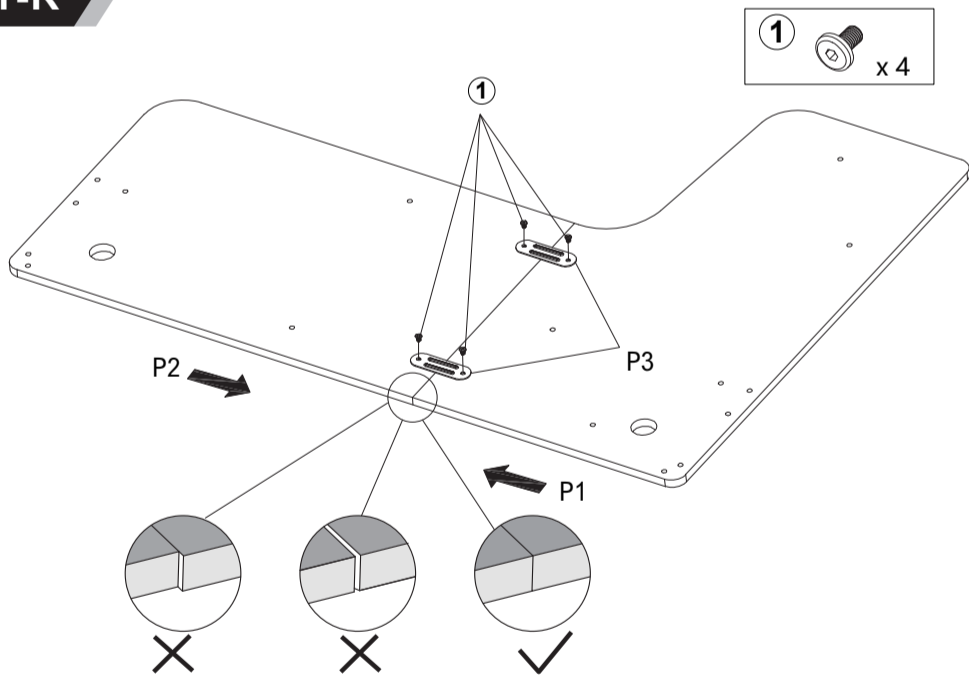


Caution: This instruction manual is intended for universal reference, slight variations in part dimensions are normal. (Manual Number: 602-09-0562)

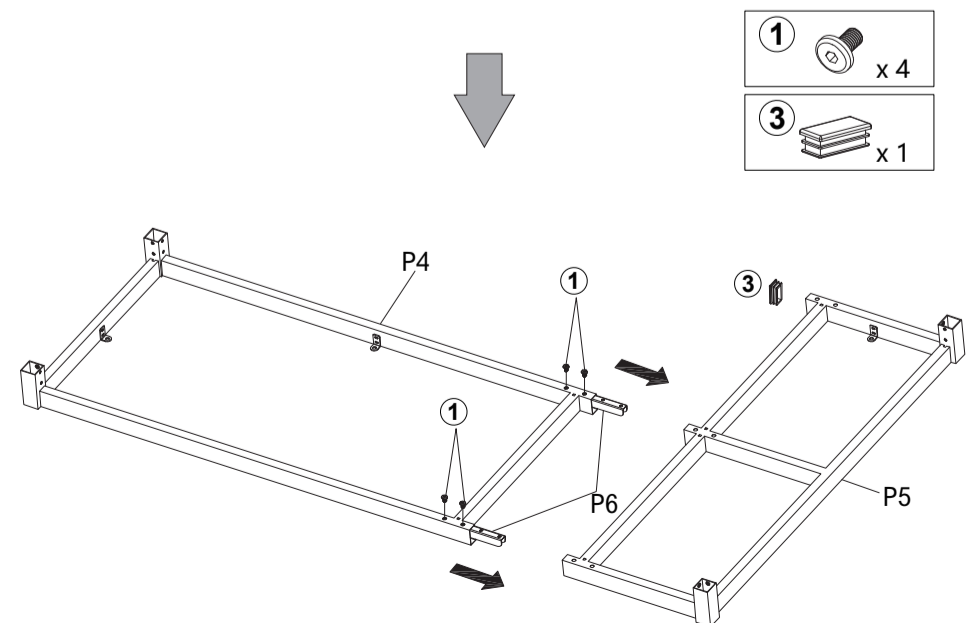
COMPONENT



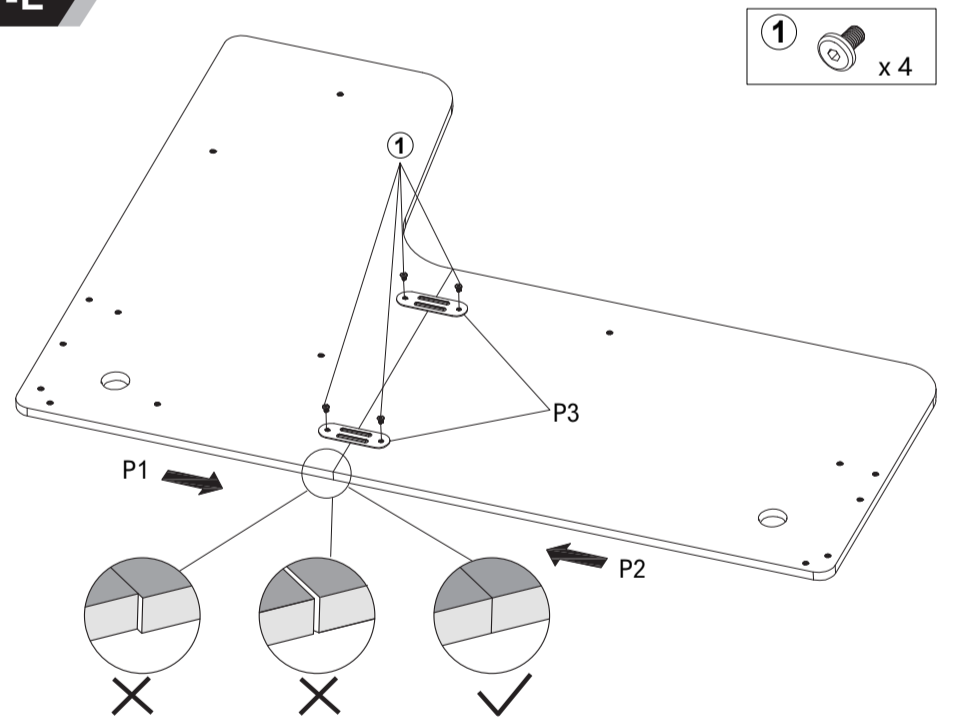
1-R



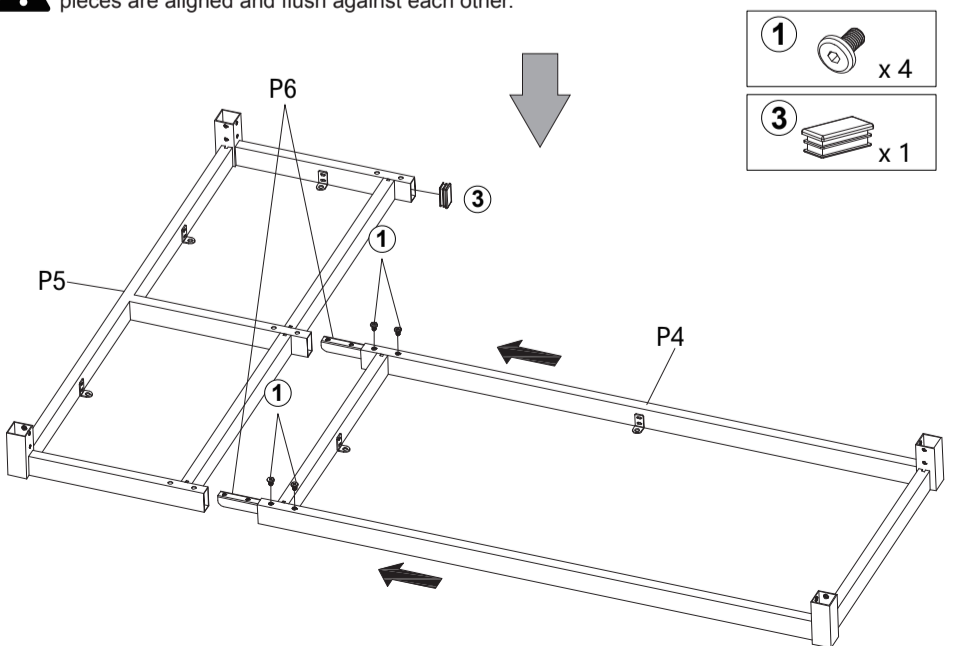
! Before tightening the screws, you must ensure that the two desktop pieces are aligned and flush against each other.



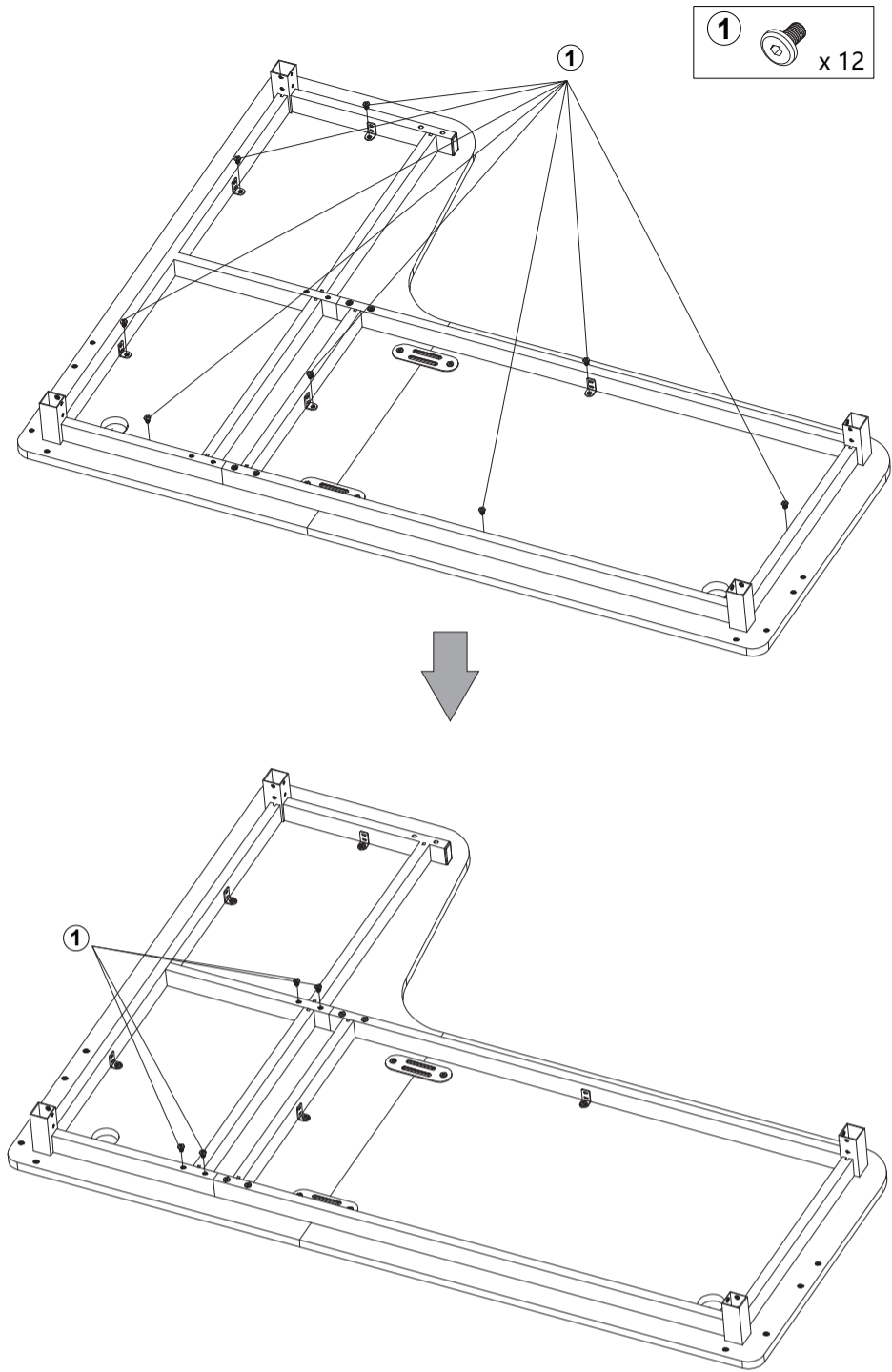
1-L



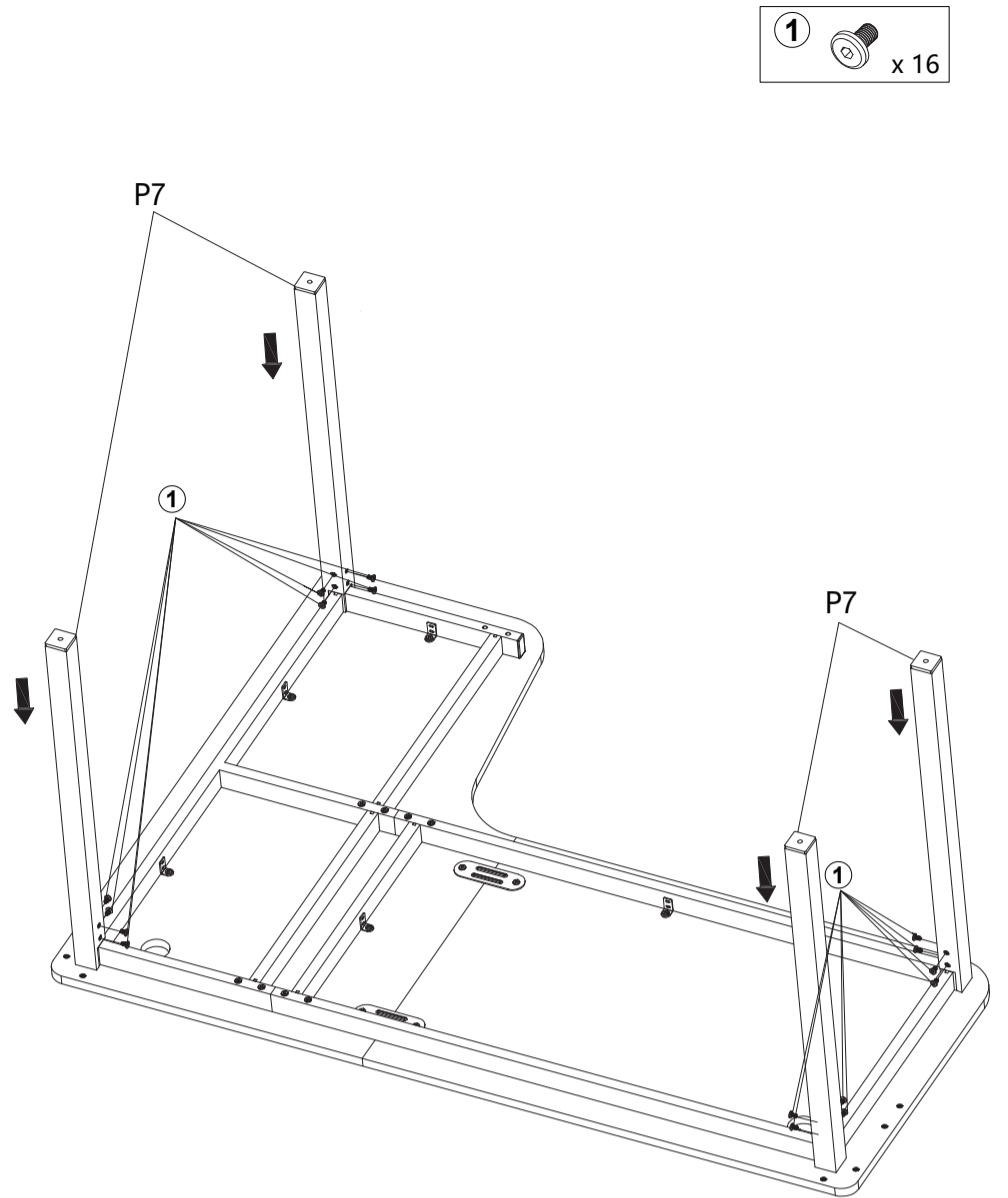
! Before tightening the screws, you must ensure that the two desktop pieces are aligned and flush against each other.



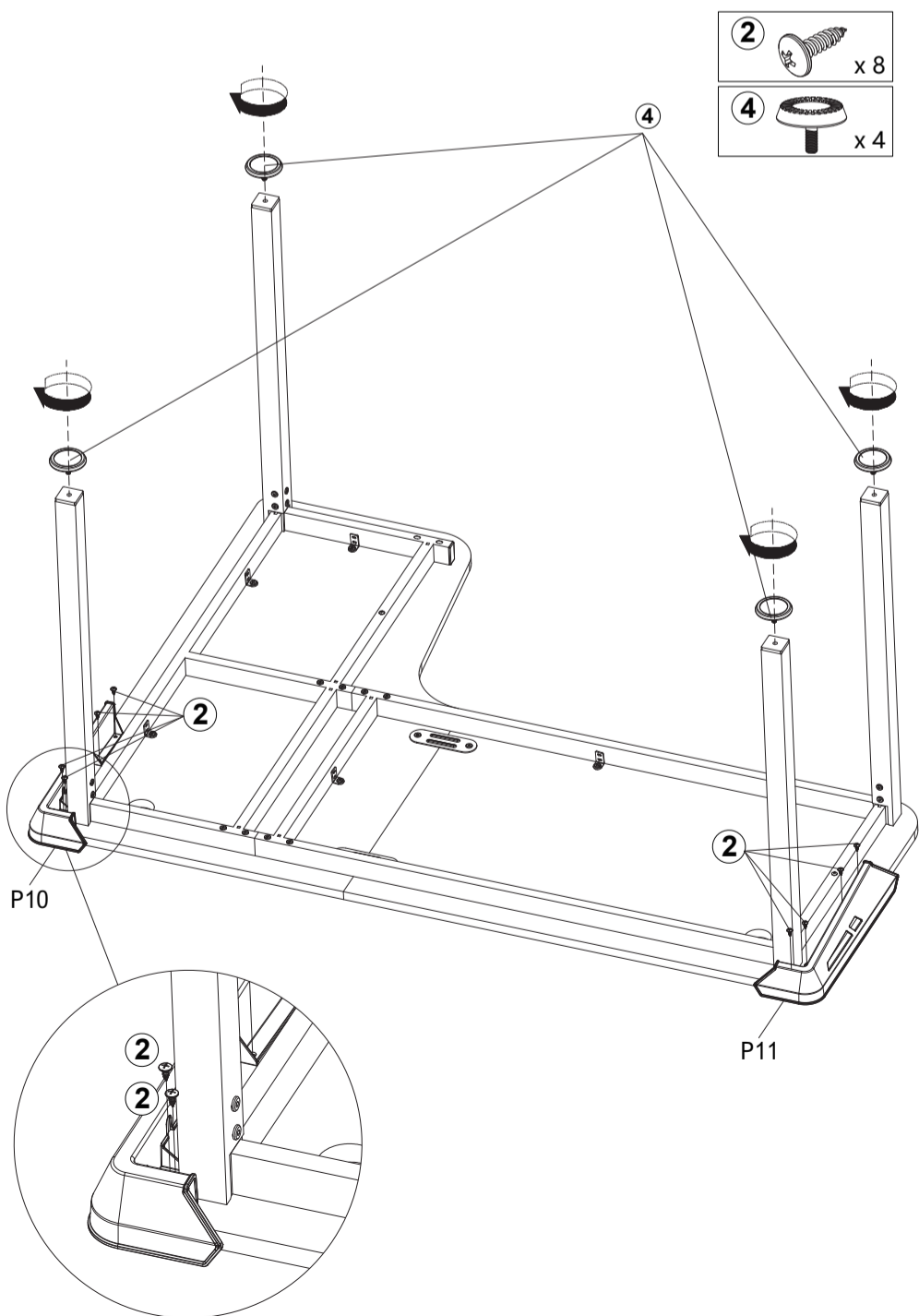
2



3



4



5

