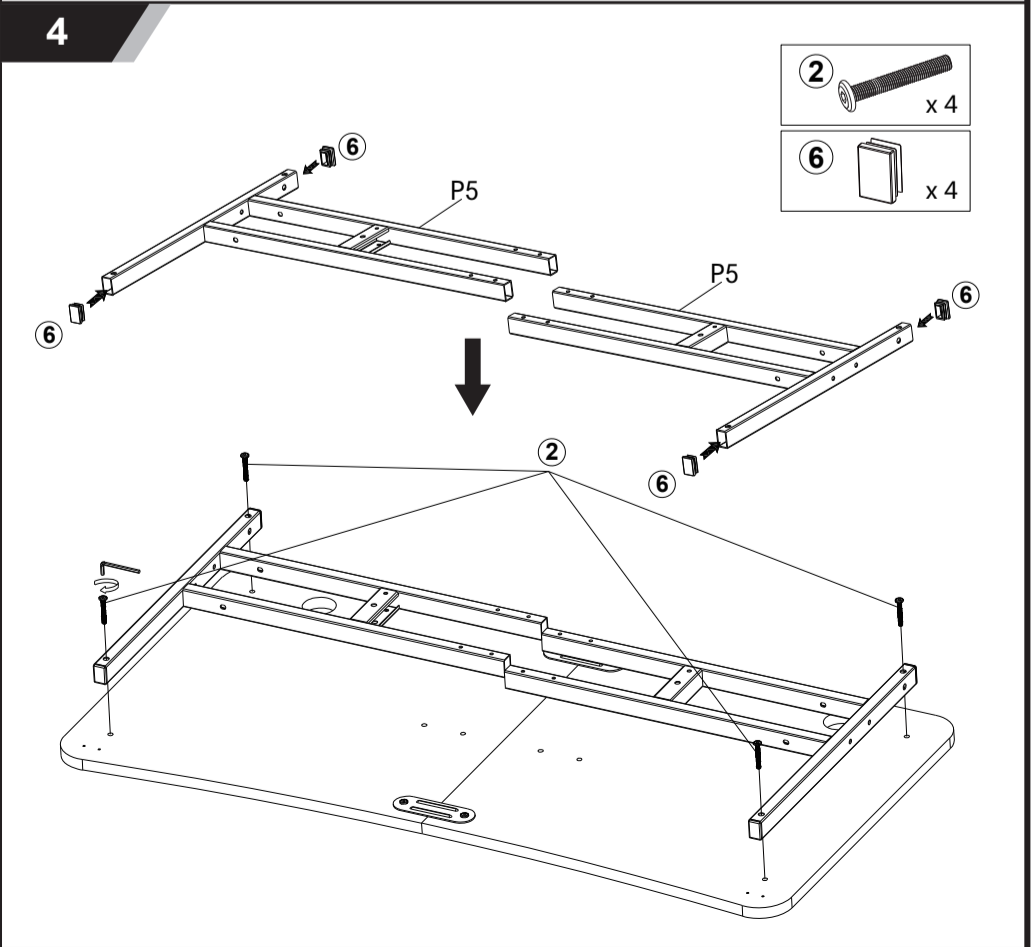
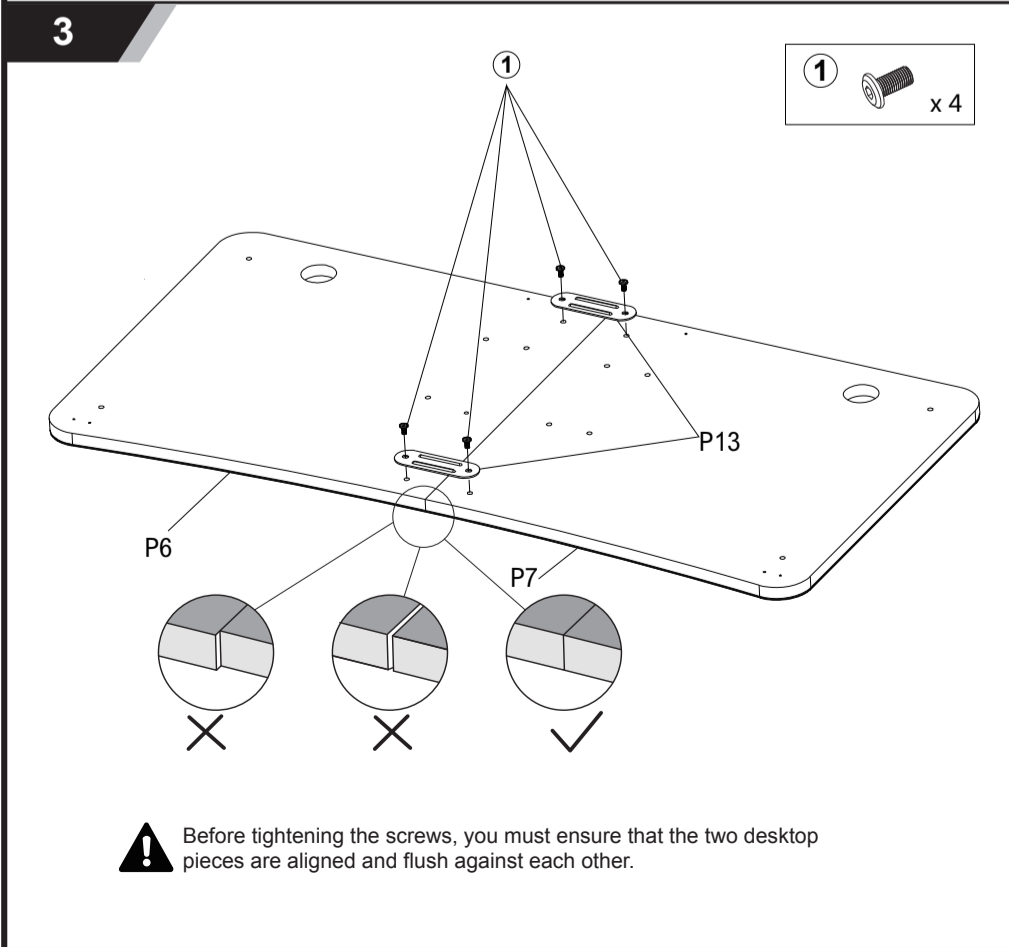
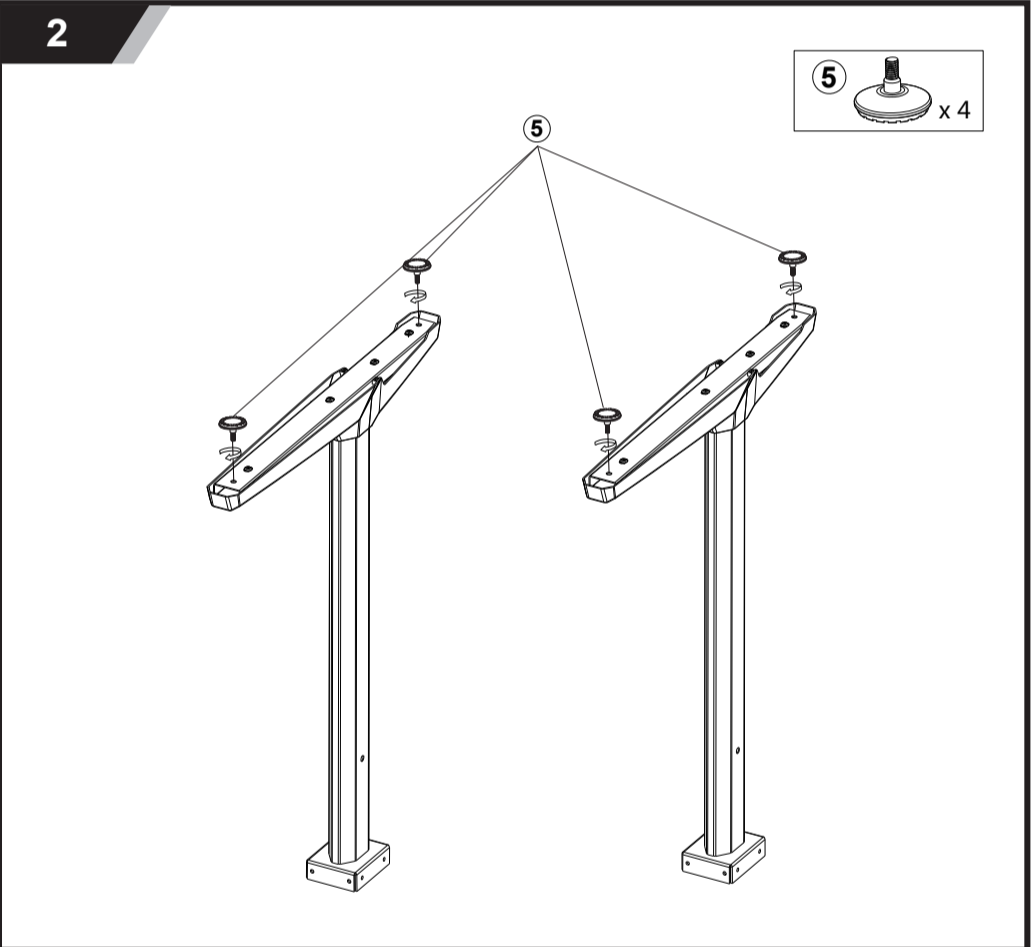
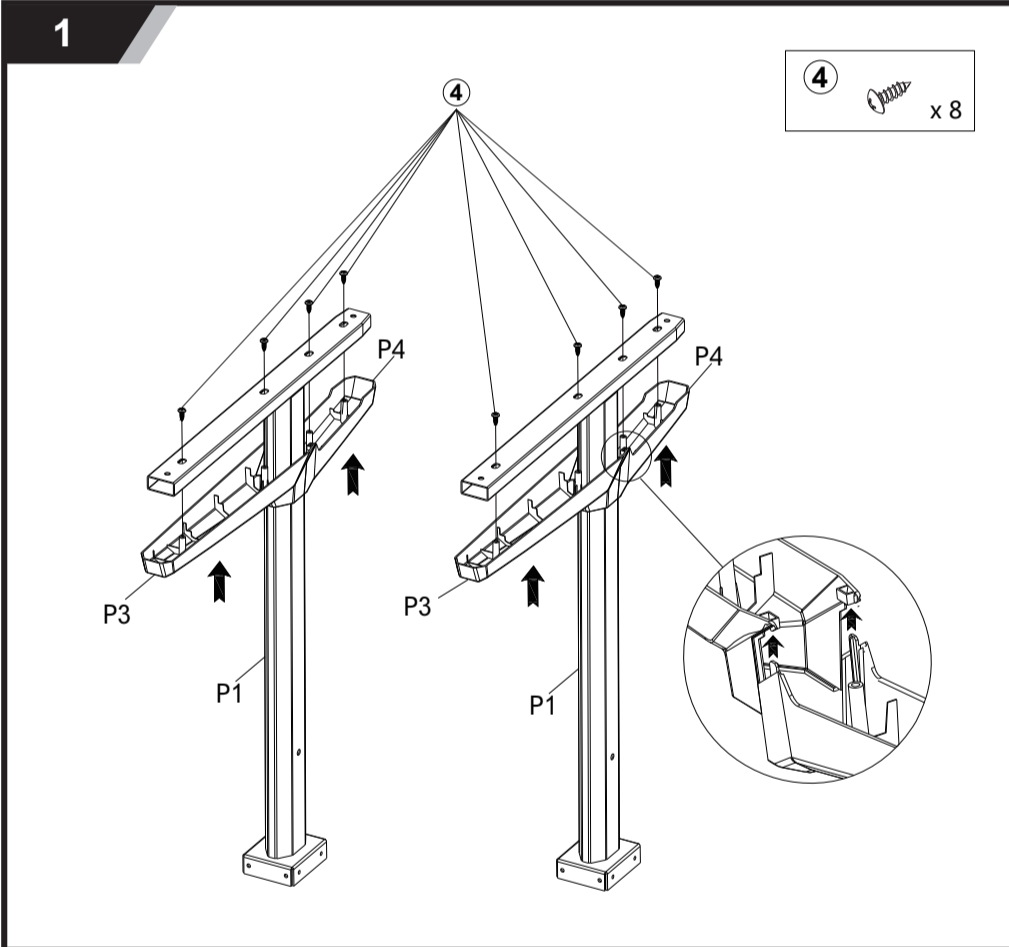
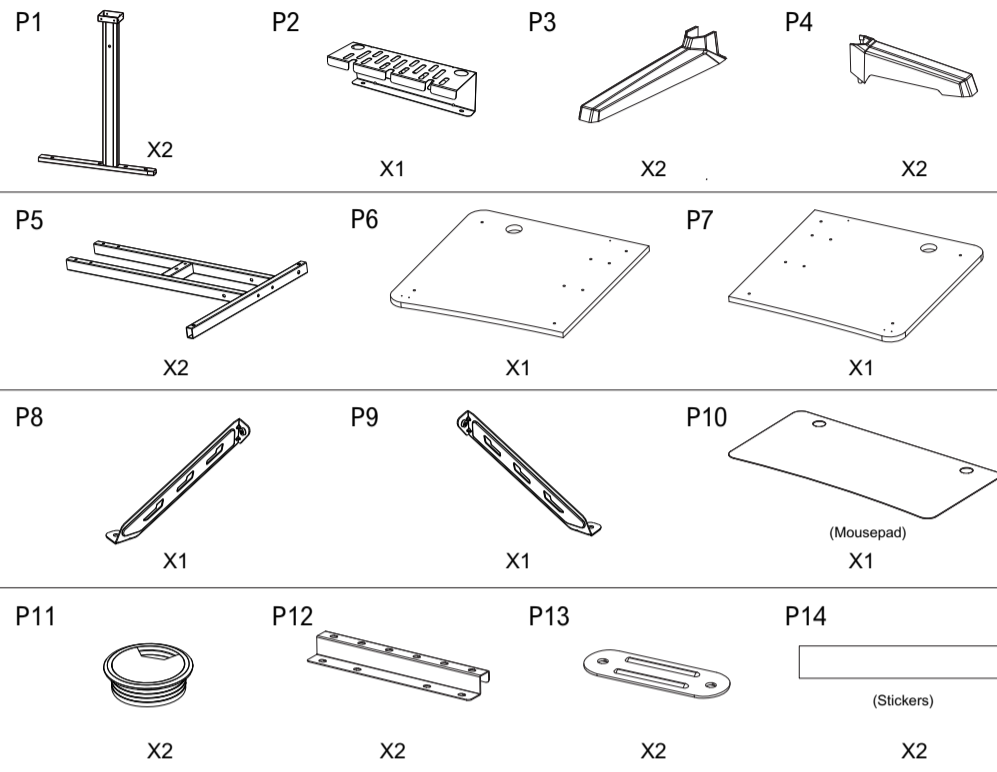
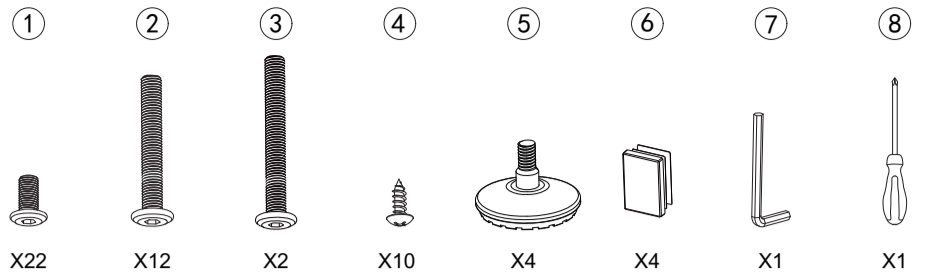
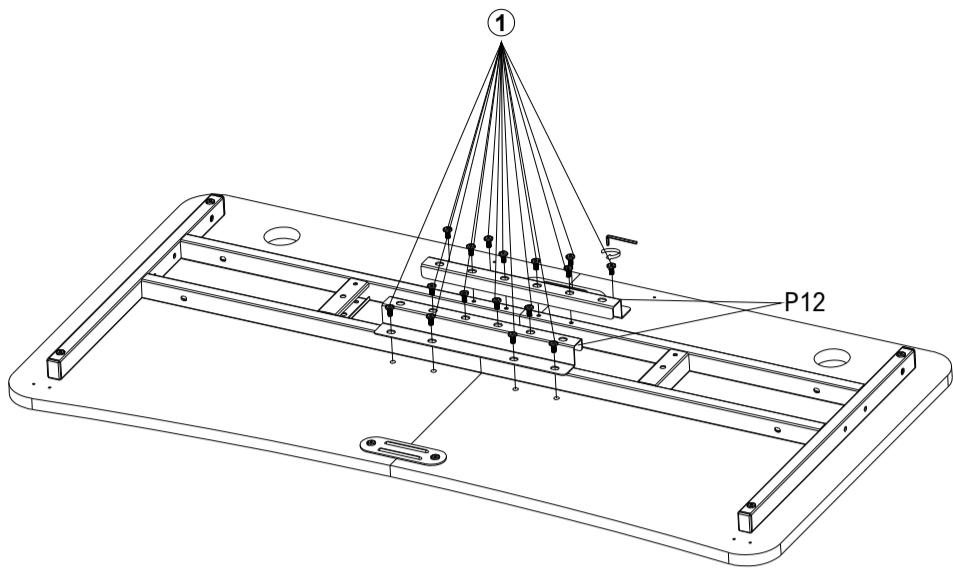
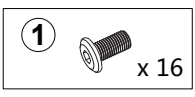


Caution: This instruction manual is intended for universal reference, slight variations in part dimensions are normal.
(Manual Number: 602-09-0494)

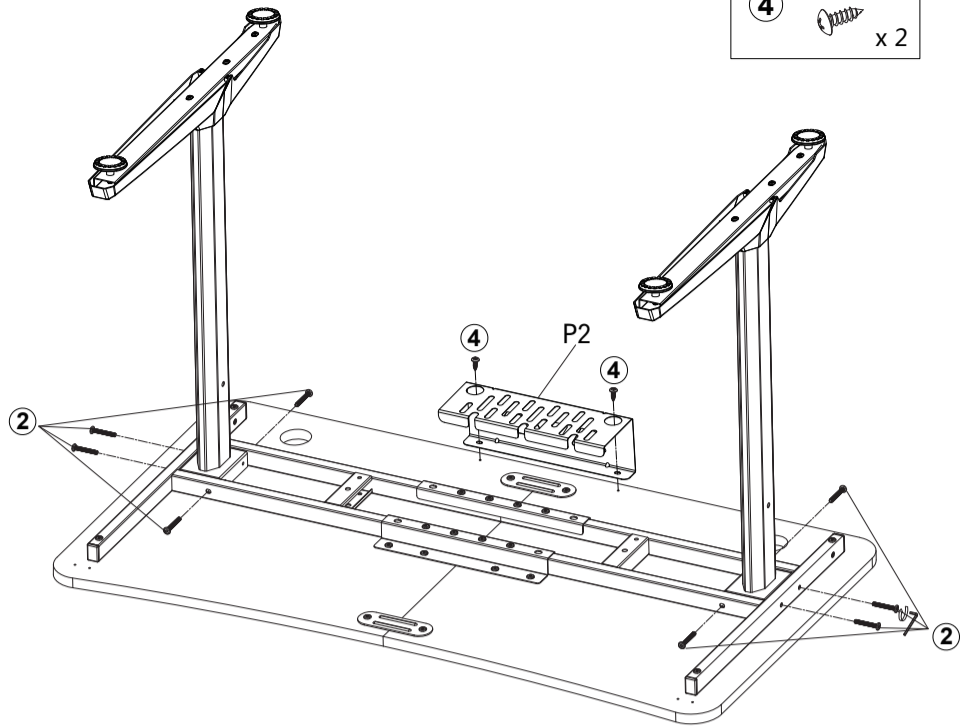
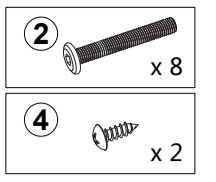
COMPONENT



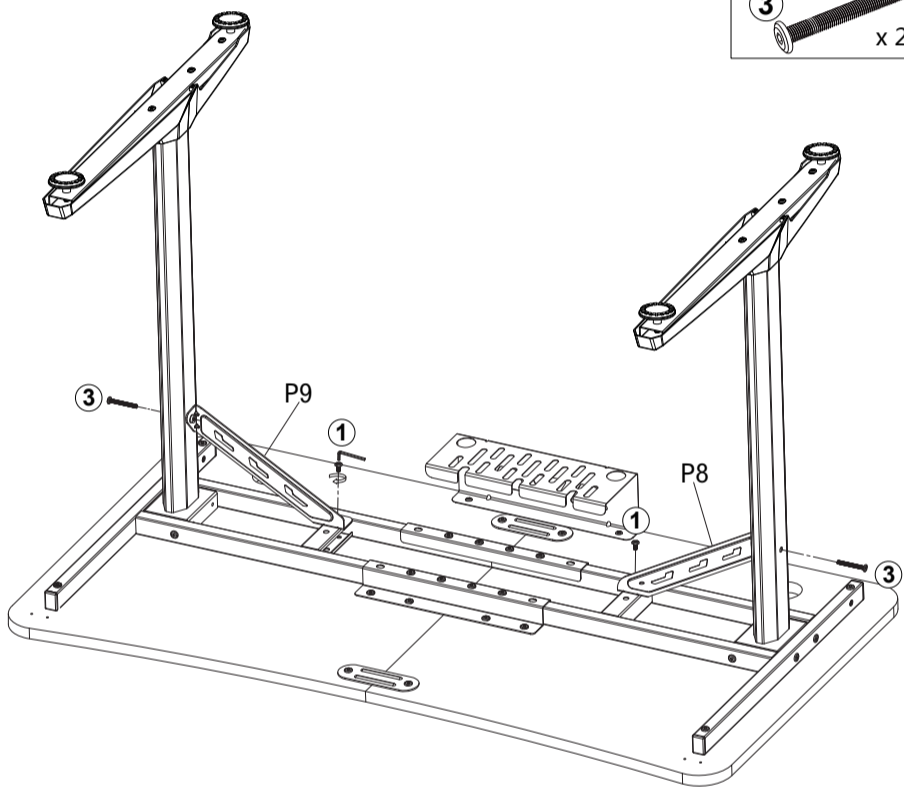
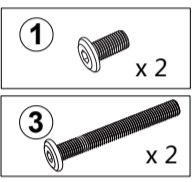
5



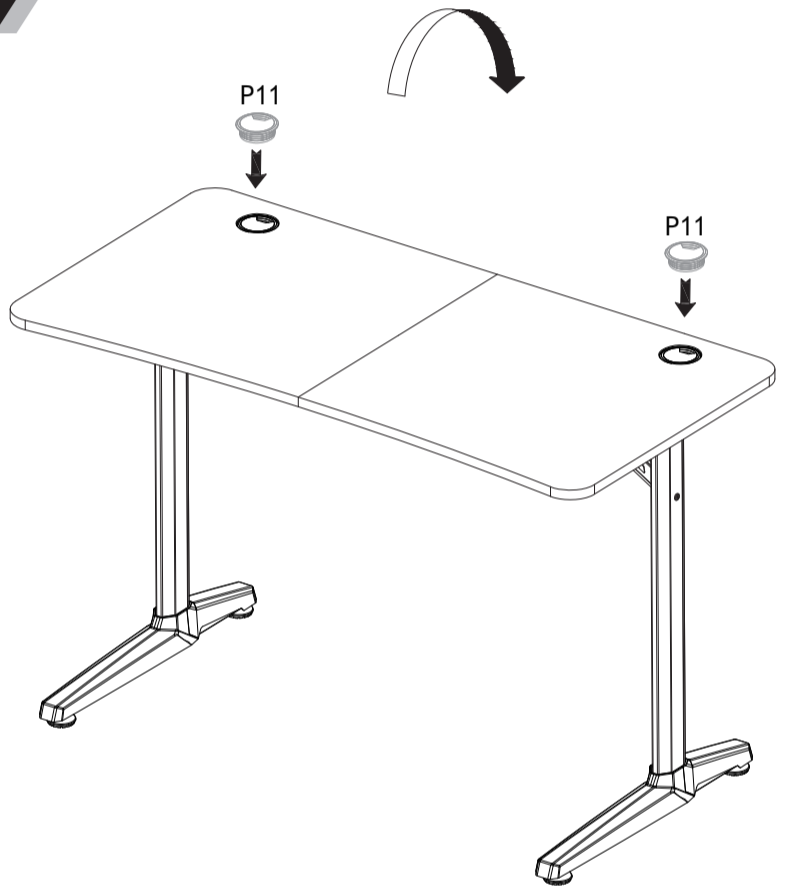
6



7



8



9

ACCESSORY

