

COMPONENT

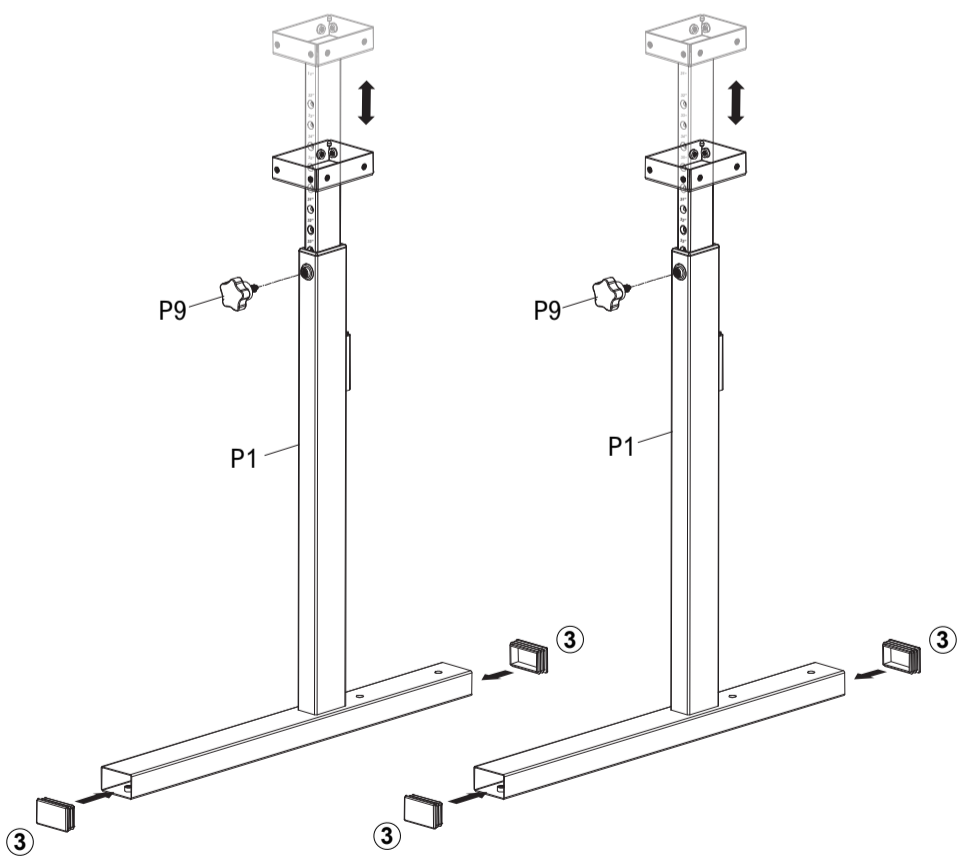
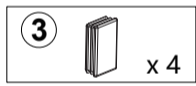
①	②	③	④	⑤	⑥	⑦	⑧
X4	X4	X4	X2	X12	X16	X1	X1

P1 X2	P2 X1	P3 X1
P4 X2	P5 X1	P6 X1
P7 X1	P8 (Stickers) X1	P9 X2
P10 X2	P11 X2	

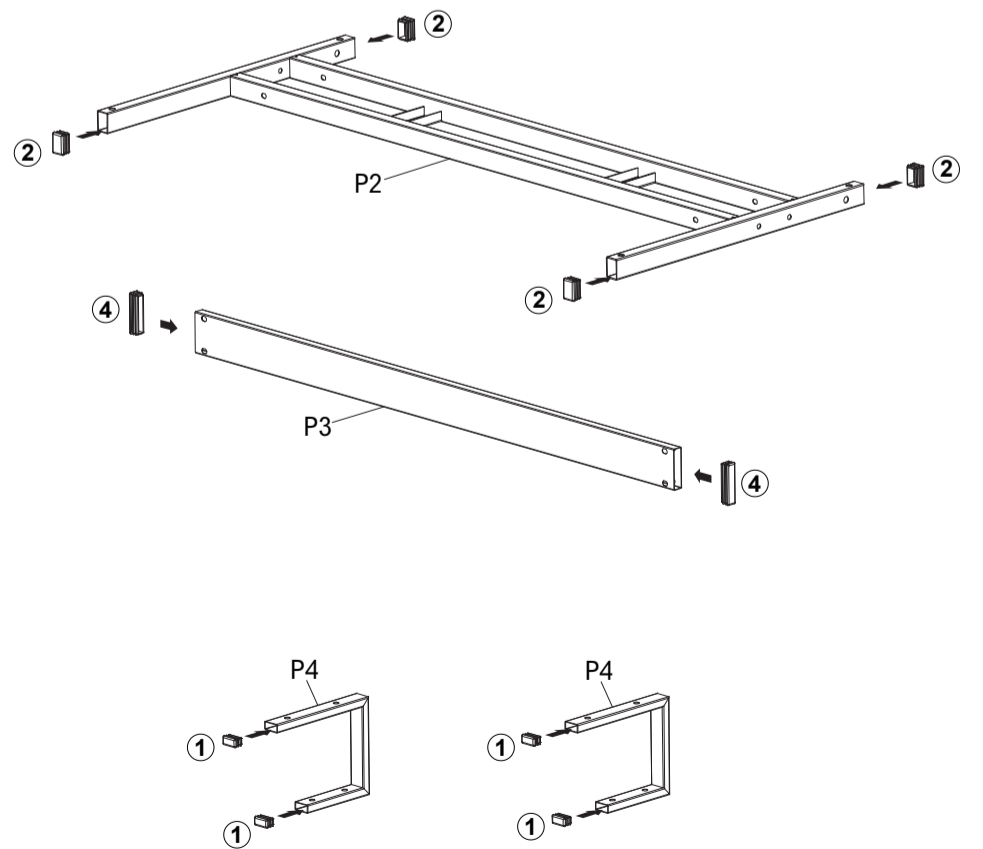
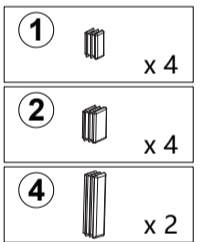
Caution: This instruction manual is intended for universal reference, slight variations in part dimensions are normal.

SW-41

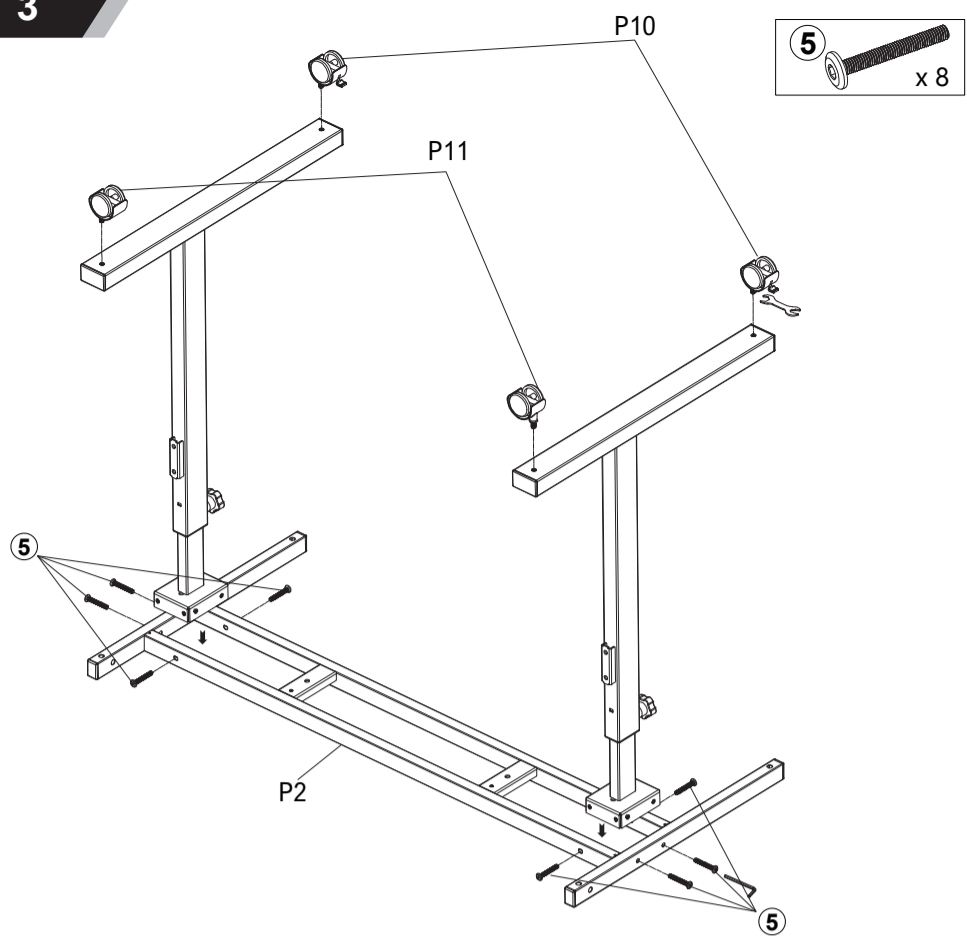
1



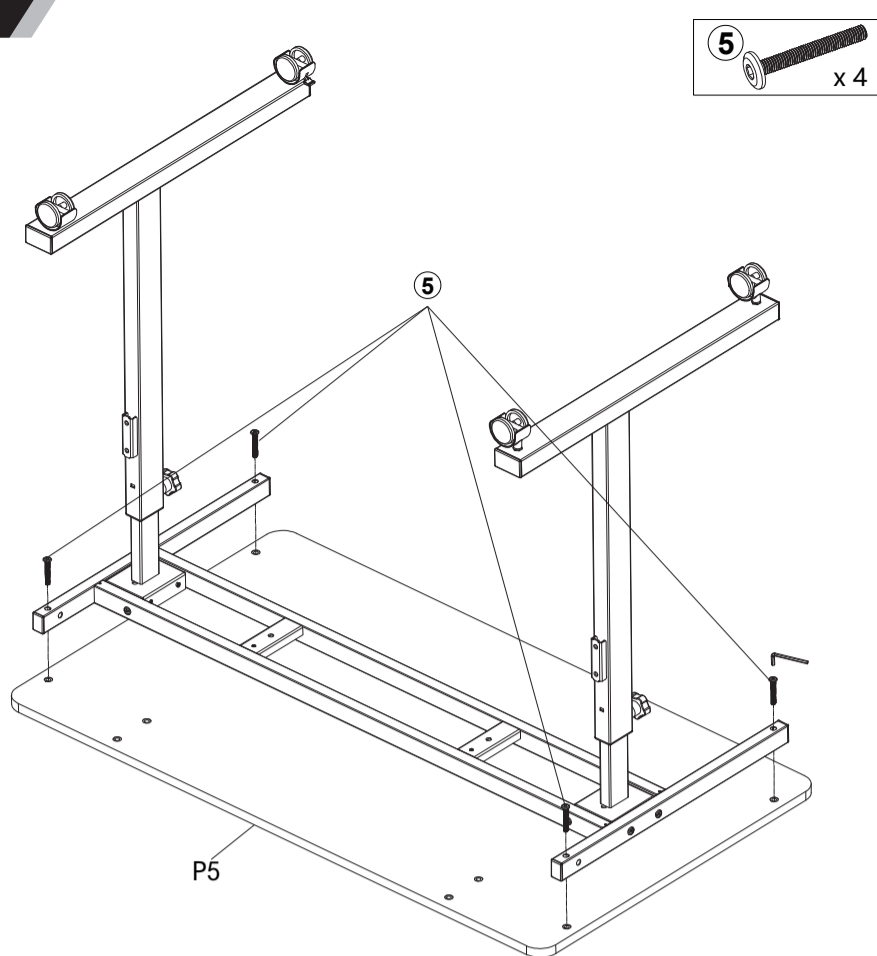
2



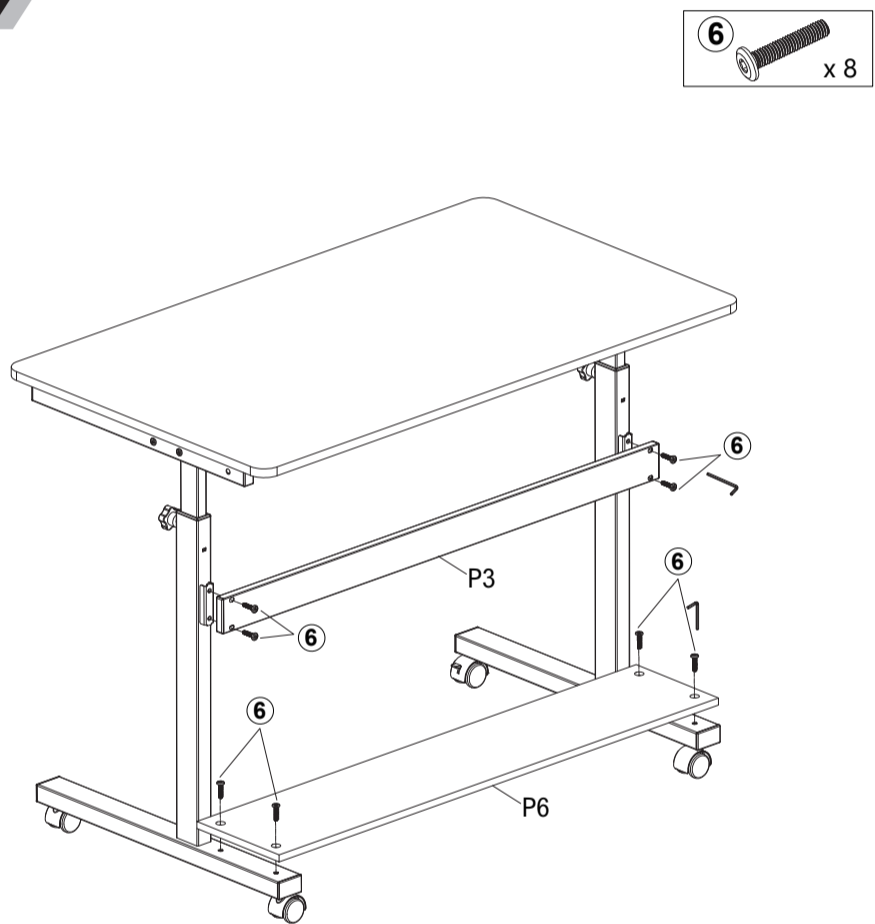
3



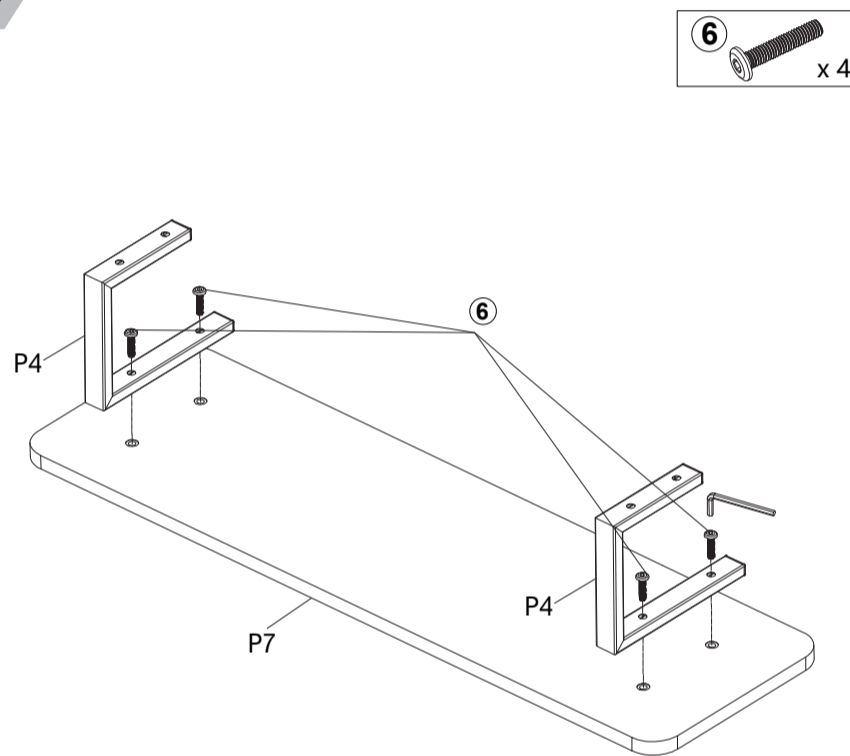
4



5



6



7

