

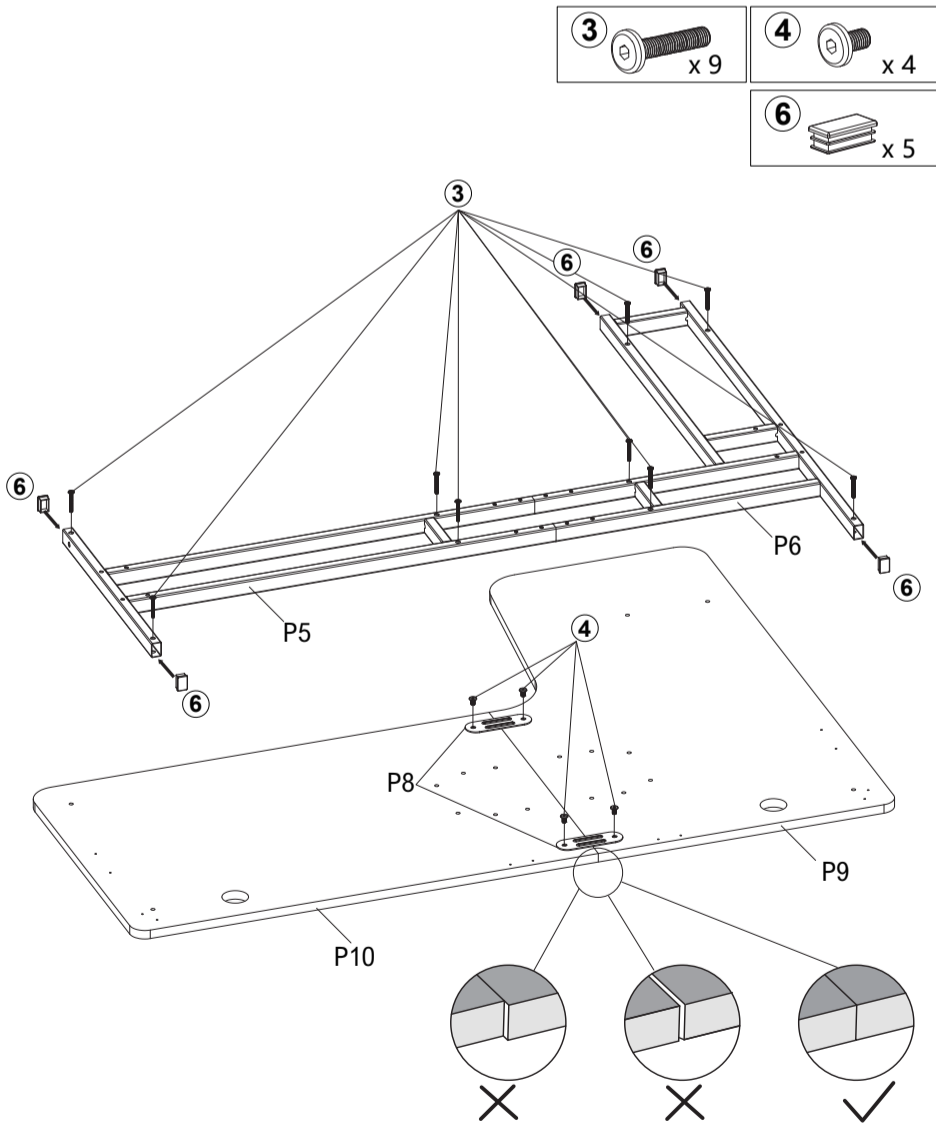
**COMPONENT**

①	②	③	④	⑤	⑥	⑦	⑧	⑨
X8	X10	X9	X28	X5	X5	X1	X1	X1

P1  X2	P2  X1	P3  X1	P4  X2
P5  X1	P6  X1	P7  X1	P8  X2
P9  X1	P10  X1	P11  X1	P12  X1
P13  X1	P14  X1	P15  X4	P16  X2

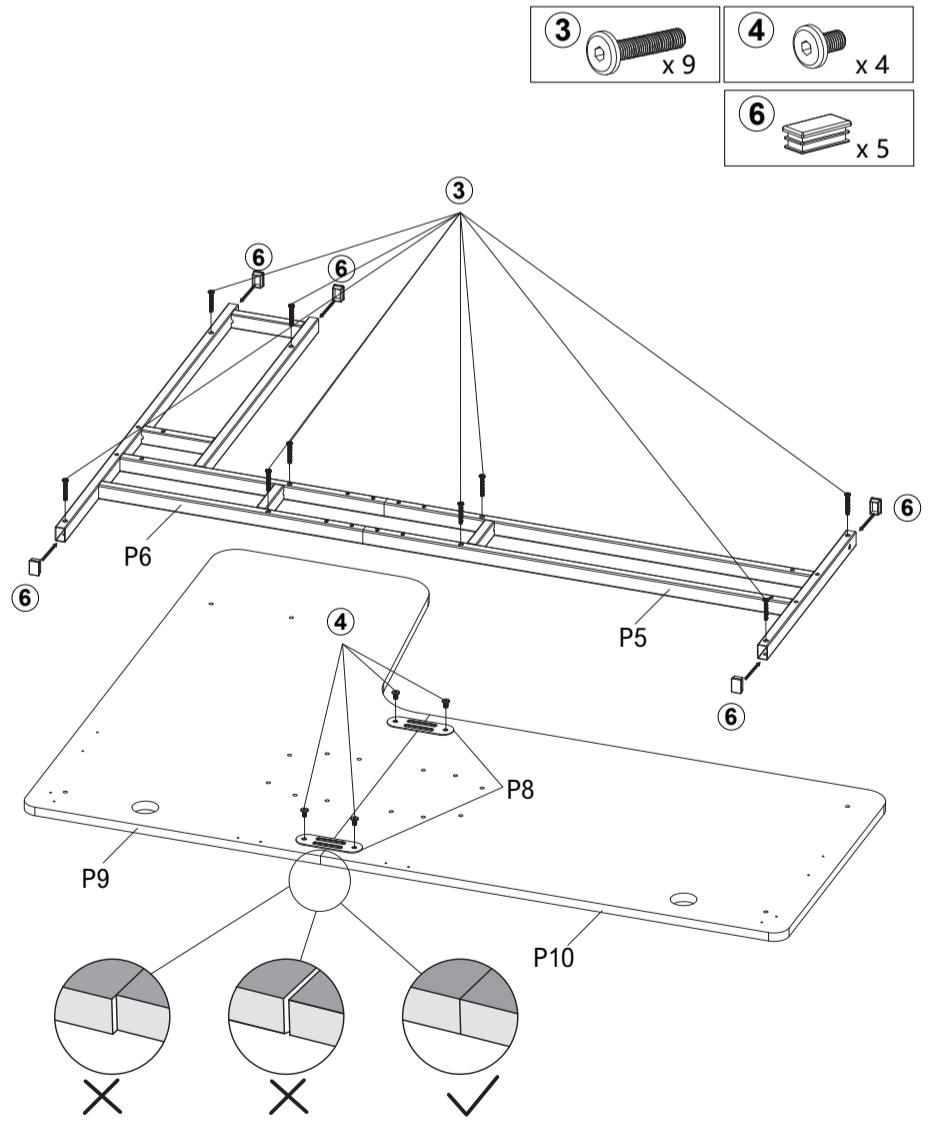
**Caution:** This instruction manual is intended for universal reference, slight variations in part dimensions are normal. (Manual Number: 602-09-0607)

**1-R**



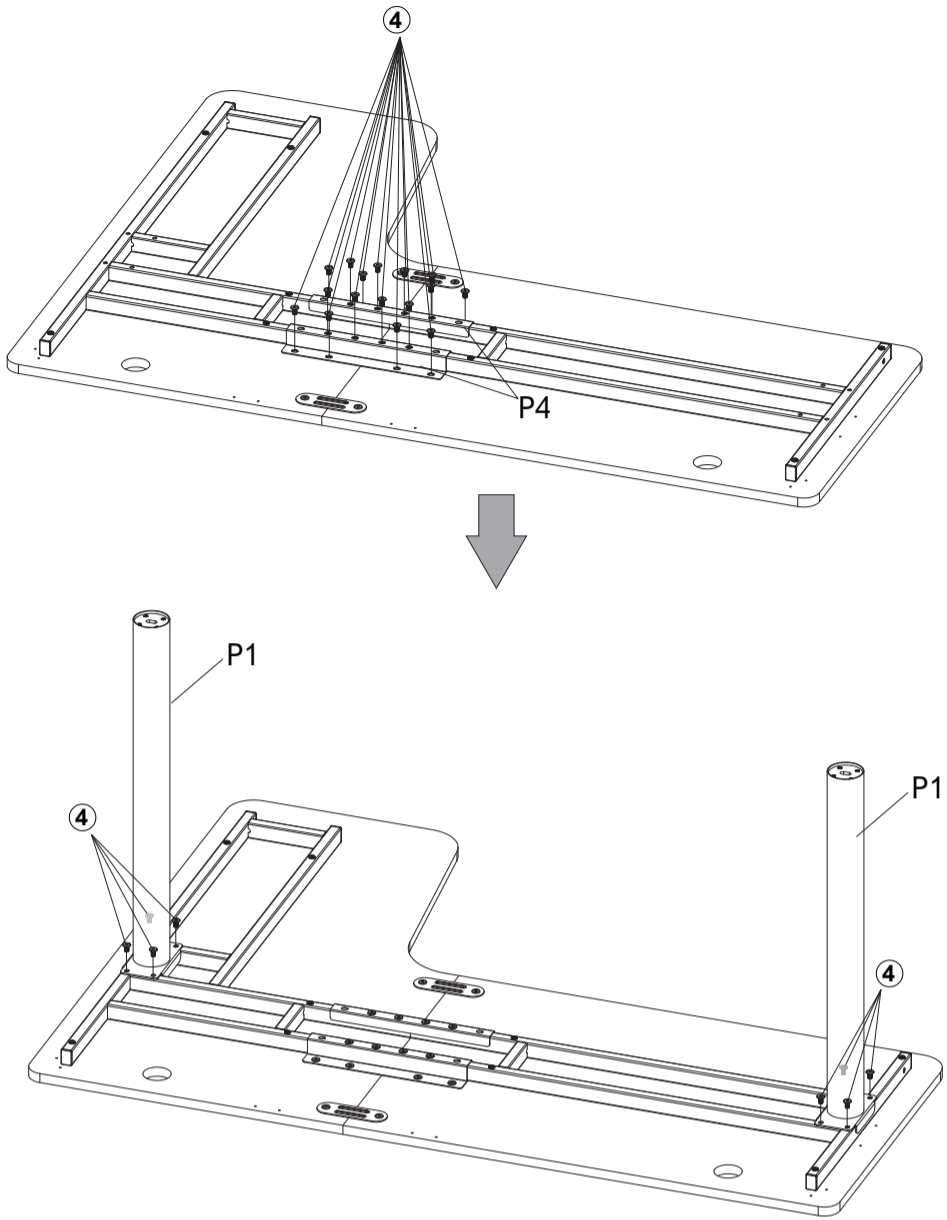
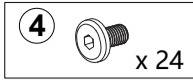
**!** Before tightening the screws, you must ensure that the two desktop pieces are aligned and flush against each other.

**1-L**

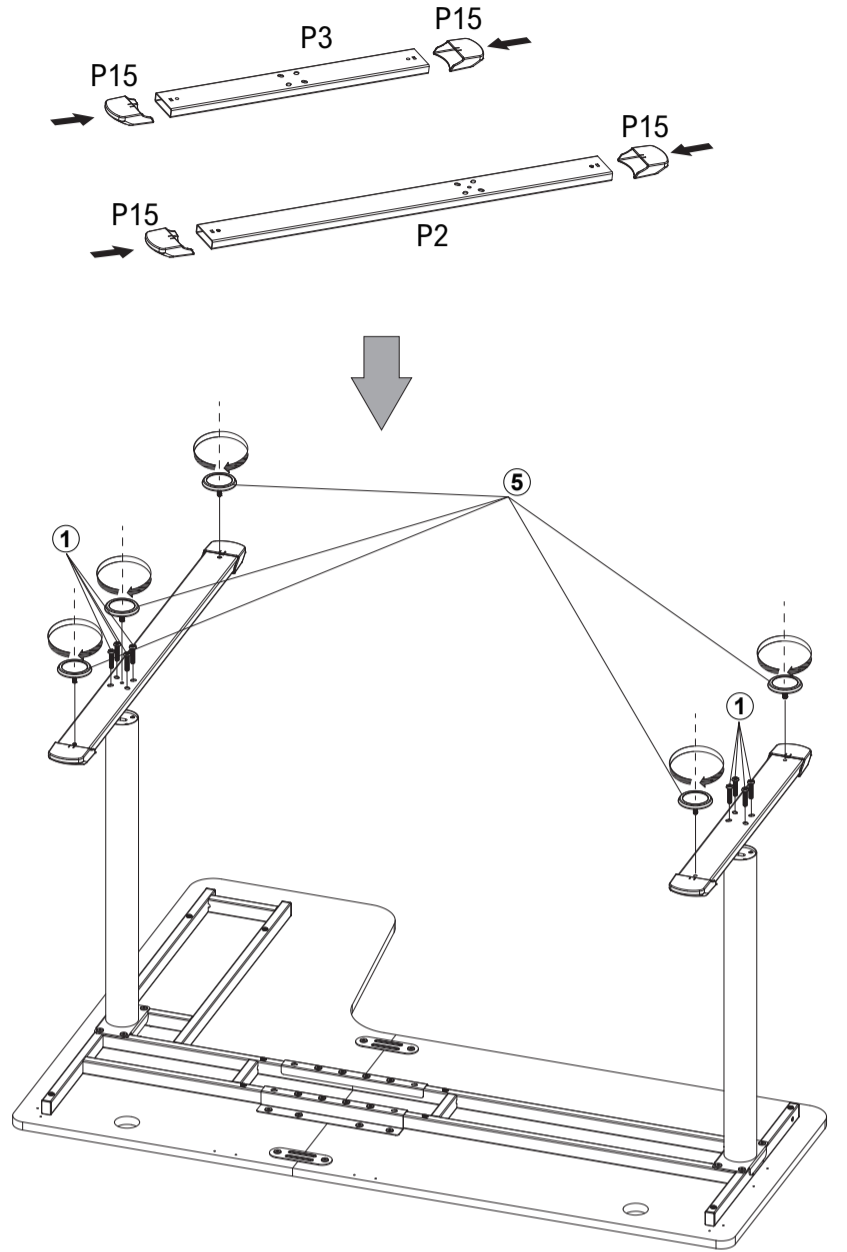
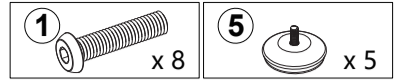


**!** Before tightening the screws, you must ensure that the two desktop pieces are aligned and flush against each other.

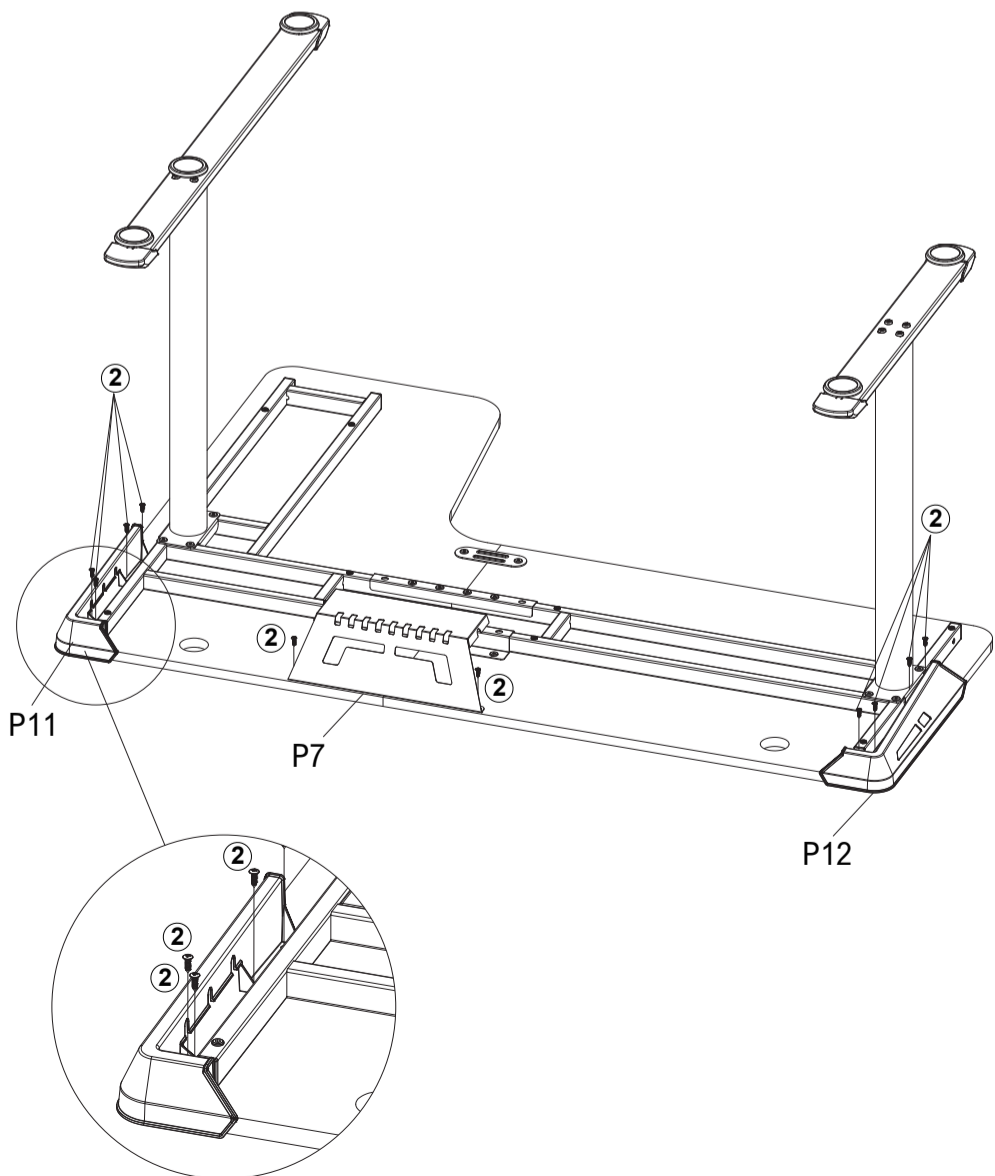
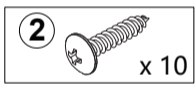
2



3



4



5

