

Caution: This instruction manual is intended for universal reference, slight variations in part dimensions are normal.  
(Manual Number: 602-09-0467)

**COMPONENT**

①	②	③	④	⑤	⑥	⑦	⑧
x 24	x 8	x 14	x 2	x 4	x 1	x 1	x 1

P1	P2	P3
x 2	x 2	x 2

P4	P5	P6
x 1	x 1	x 1

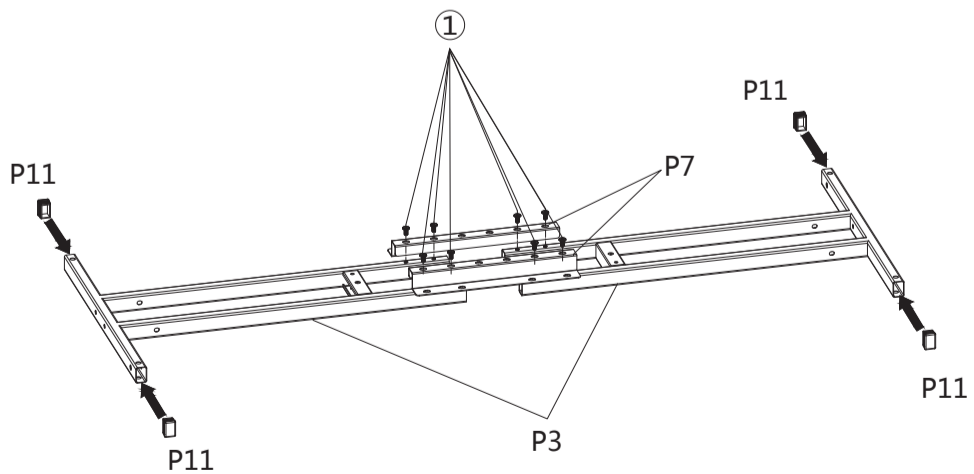
P7	P8	P9
x 2	x 1	(Mousepad) x 1

P10	P11	P12	P13
(Stickers) x 2	x 4	x 4	x 3

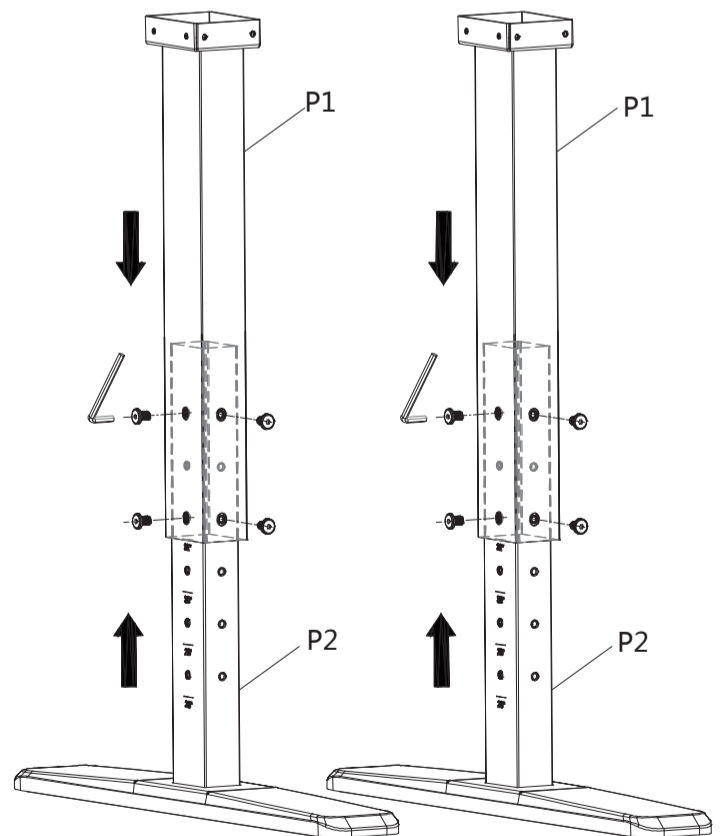
**1**

- ① x 8
- ⑥ x 1
- P11 x 4



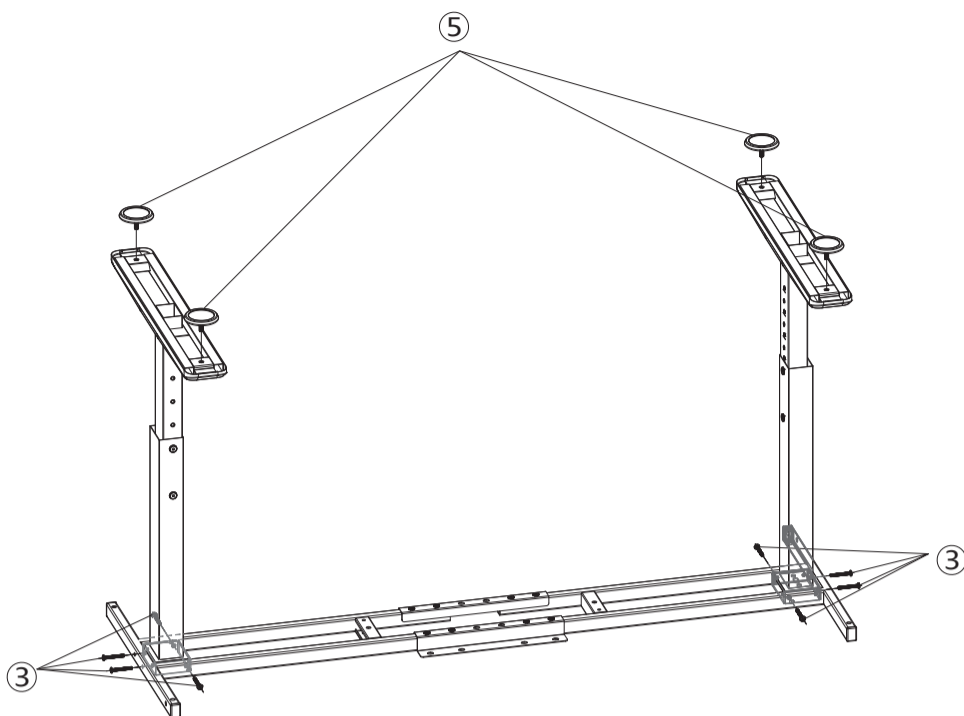
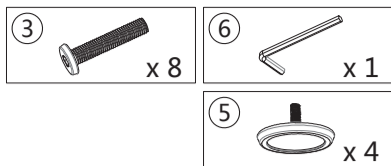
**2**

- ② x 8
- ⑦ x 1

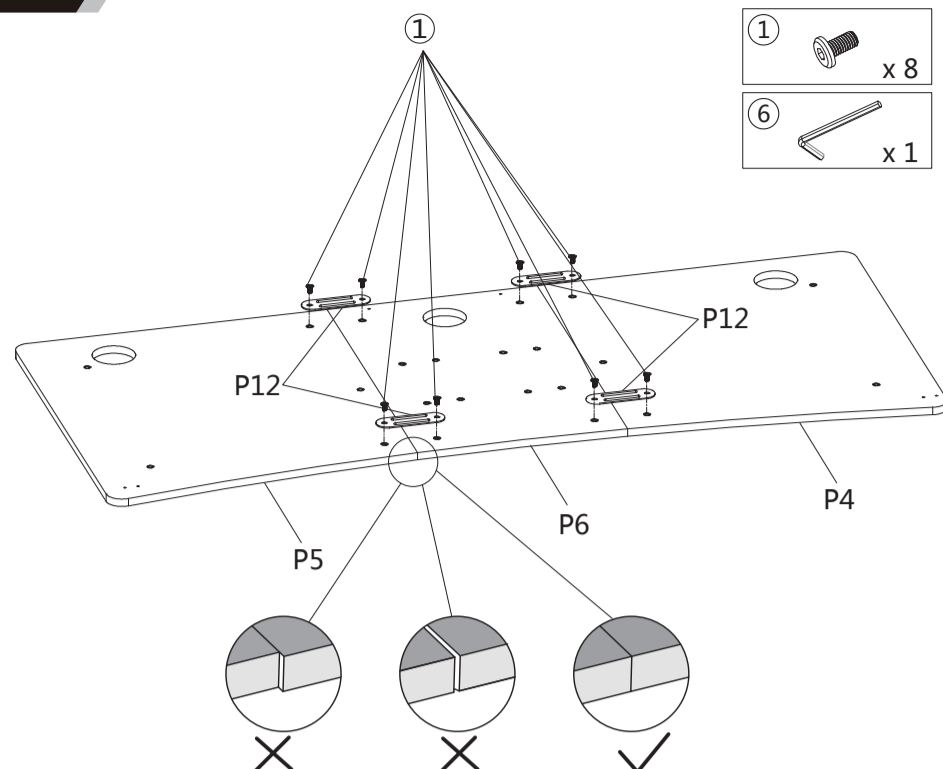
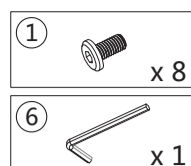


Adjust the legs to the appropriate height.

3

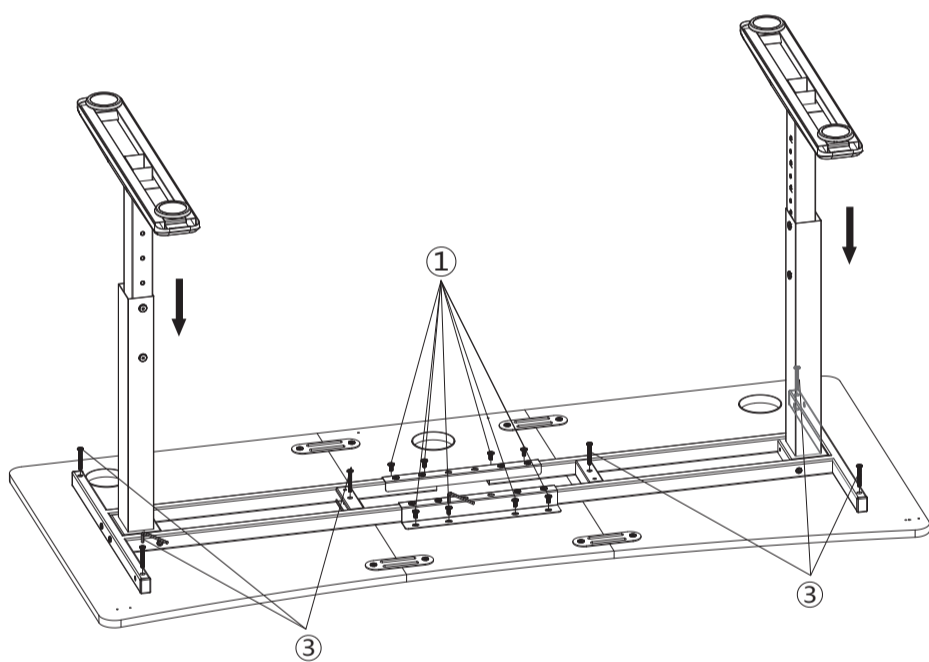
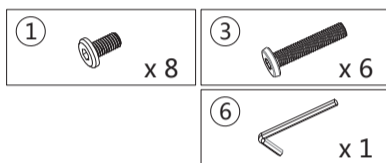


4

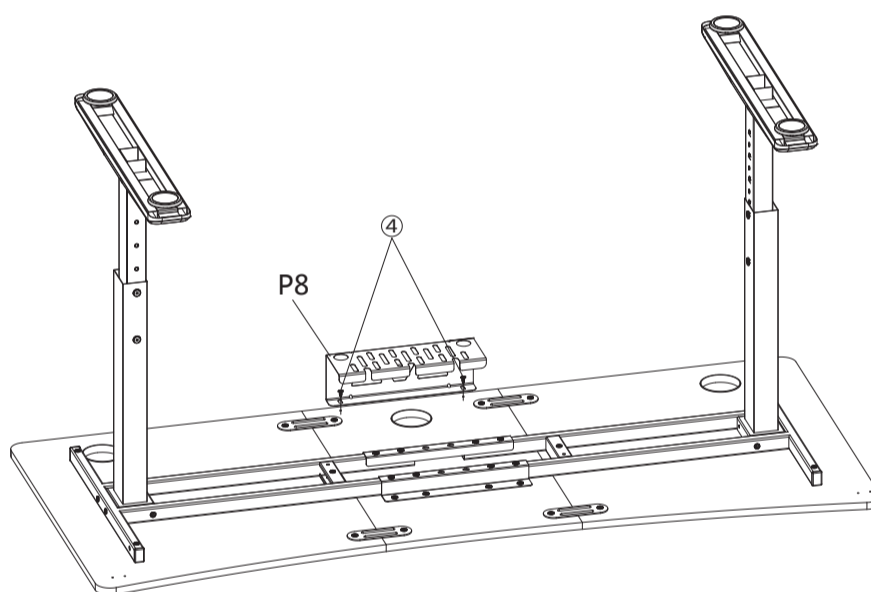
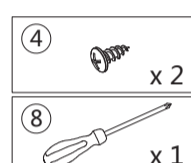


**!** Before tightening the screws, you must ensure that the two desktop pieces are aligned and flush against each other.

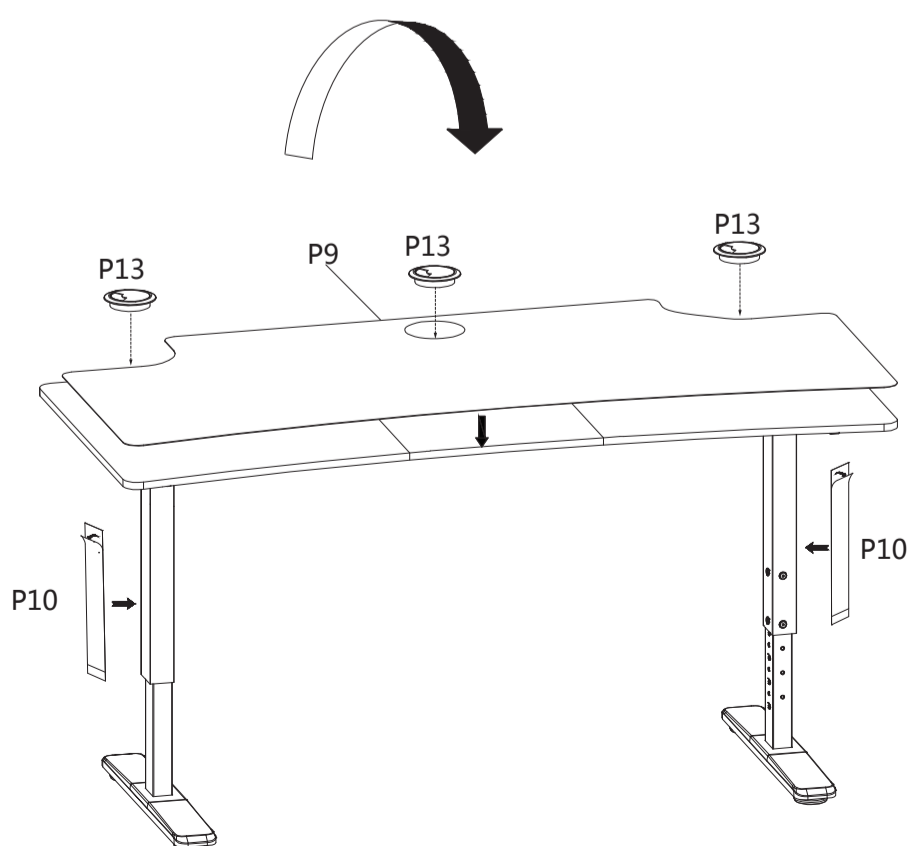
5



6



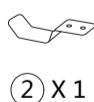
7



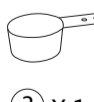
## ACCESSORY



① X 1



② X 1



③ X 1



④ X 4

