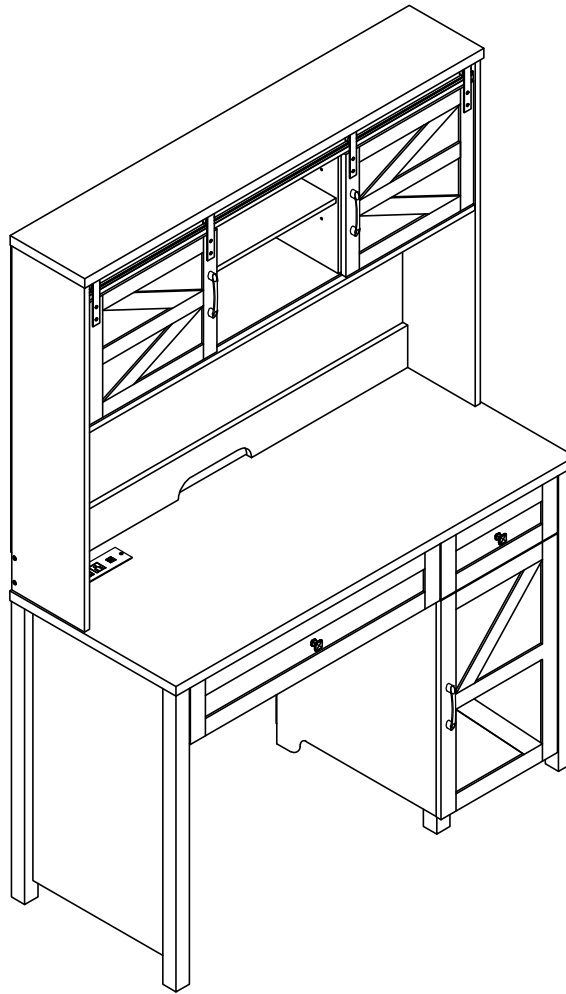


---

J3M012BS0M  
J3M012GR0M



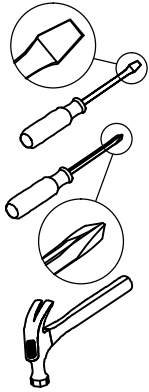
As this item contains many parts, please read the installation instruction carefully before installation . Please use tools properly and carefully. If you have any questions about the product and installation, please contact us.

**[hosoteservice@gmail.com](mailto:hosoteservice@gmail.com)**

Our professional after-sales team will serve you online all day.

---

# Before You Start



- ✓ Read through each step carefully and follow the proper order
- ✓ Separate and count all your parts and hardware
- ✓ Give yourself enough room for the assembly process
- ✓ Have the following tools: Flat Head Screwdriver, #2 Phillips Head Screwdriver and Hammer
- ✓ Caution: If using a power drill or power screwdriver for screwing, please be aware of to slow down and stop when screw is tight. Failure to do so may result in stripping the screw. (Assembly speed can be increased by using electric screwdriver)

# Helpful Hints

## PEOPLE NEEDED FOR ASSEMBLY: 1-2

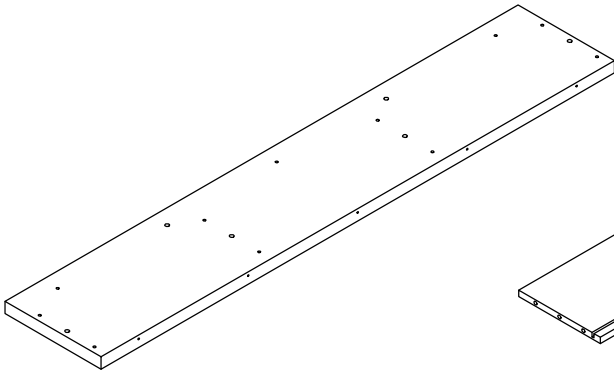
- Open your item in the area you plan to keep it to avoid excessive heavy lifting.
- Identify, sort and count the parts before attempting assembly.
- Compression dowels are lightly tapped in with a hammer.
- Slides are labeled with an **R** (right) and **L** (left) for proper placement.
- Make sure to always face the point on the top of the Cam Lock towards the outer edge.
- If there is a back panel in the package, please install it to make sure your unit is complete and sturdy.
- Please fix all the screws provided for the back panel which can enhance product stability. If it is difficult to fix it when tightening, it can be fixed with the help of a hammer and then tightened.
- Do NOT use harsh chemicals or abrasive cleaners on this item.
- Never push, pull, or drag your furniture.



---

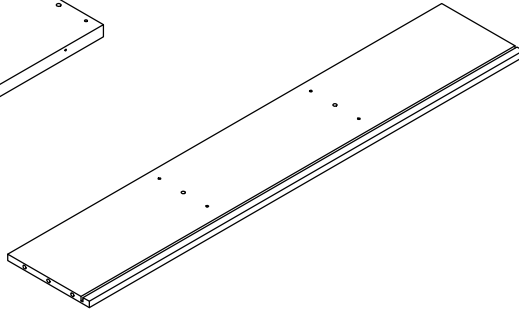
# Board Identification

Not actual size



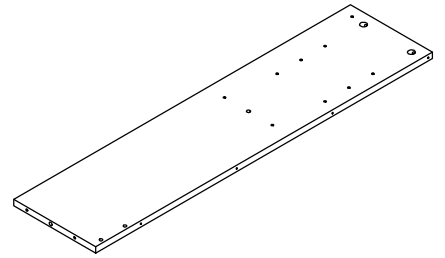
(A)

TOP PANEL



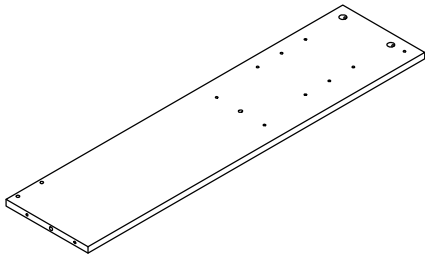
(B)

UPPER BOTTOM



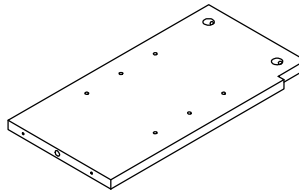
(C)

UPPER LEFT SIDE PANEL



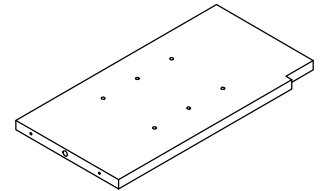
(D)

UPPER RIGHT SIDE PANEL



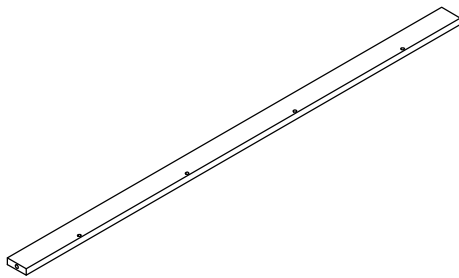
(E)

MIDDLE LEFT SIDE SHELF



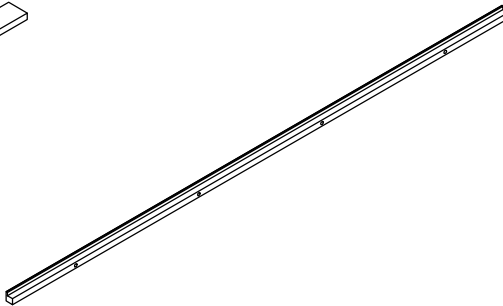
(F)

MIDDLE RIGHT SIDE SHELF



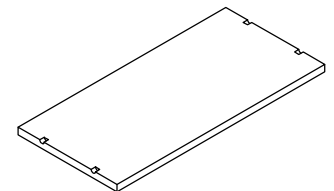
(G)

UPPER RAIL



(H)

UPPER RAIL



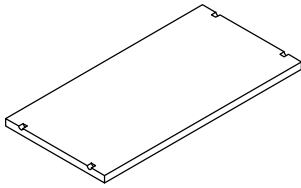
(I)

SHELF PANEL

---

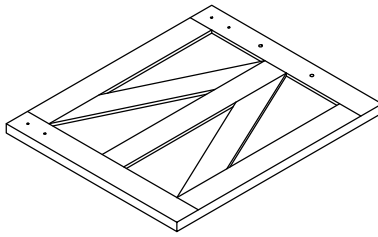
# Board Identification

Not actual size



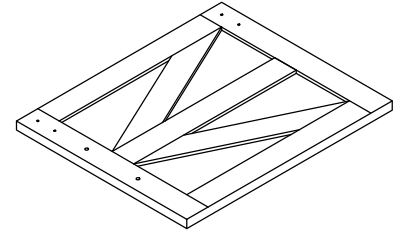
ⓐ

SHELF PANEL  
Qty:2



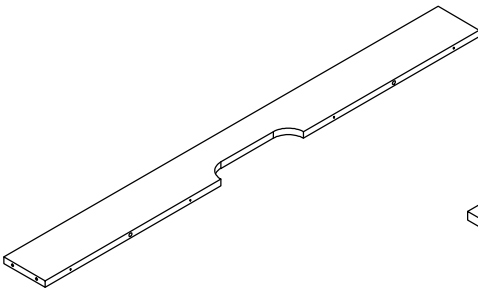
ⓑ

LEFT DOOR



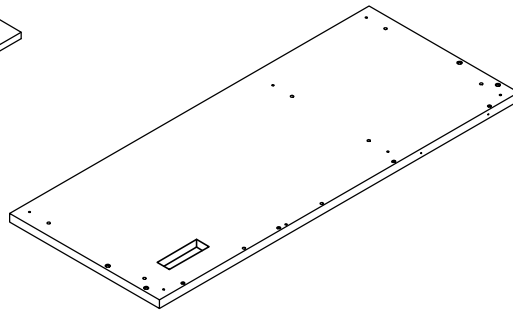
ⓒ

RIGHT DOOR



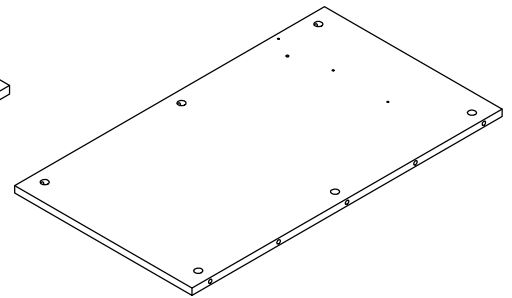
ⓓ

BACK SEPTUM



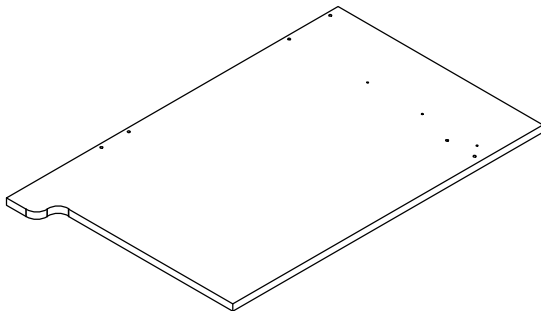
ⓔ

DESK TOP



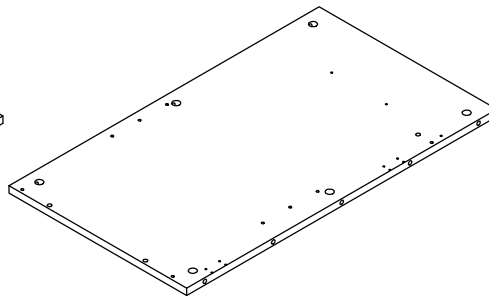
ⓕ

LOWER LEFT SIDE PANEL



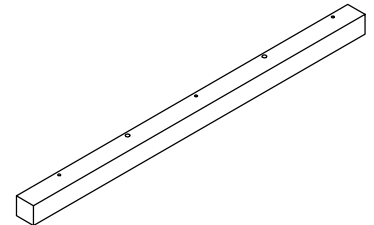
ⓖ

LOWER PARTITION



ⓗ

LOWER RIGHT SIDE PANEL



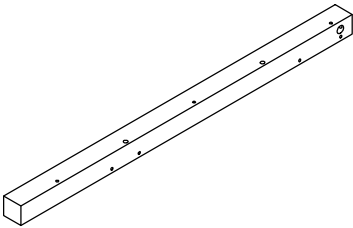
ⓘ

LEG

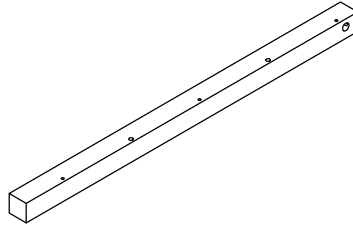
---

# Board Identification

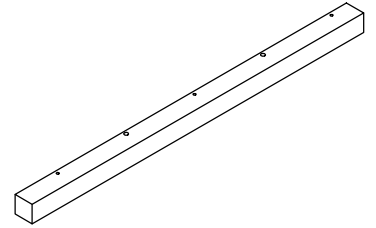
Not actual size



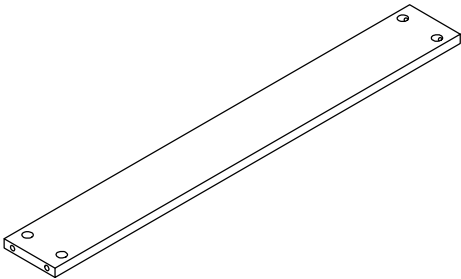
Ⓢ  
LEG



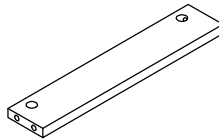
Ⓣ  
LEG



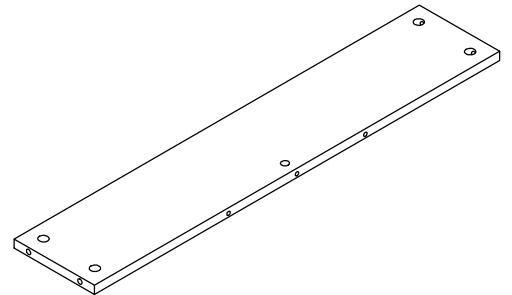
Ⓤ  
LEG



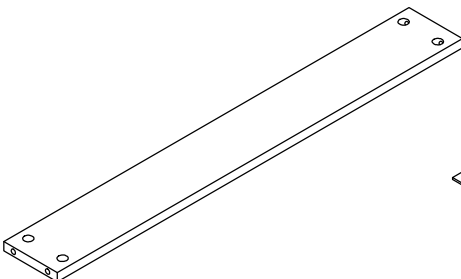
Ⓥ  
FRONT SLAT



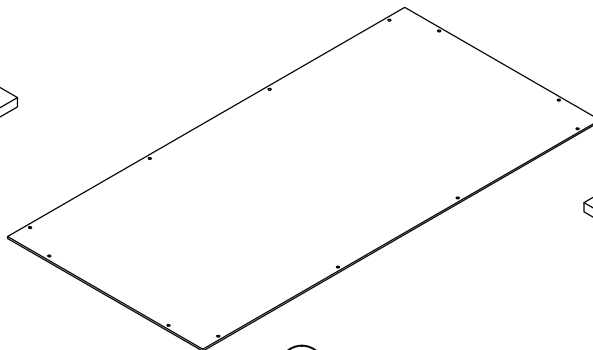
Ⓦ  
FRONT SLAT



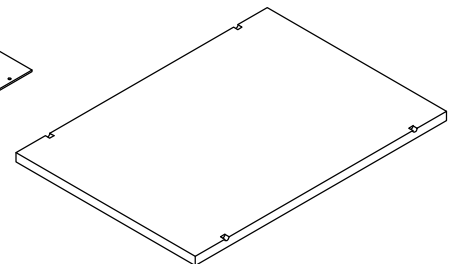
Ⓧ  
BACK SLAT



Ⓨ  
BACK SLAT



Ⓩ  
LOWER BACK PANEL

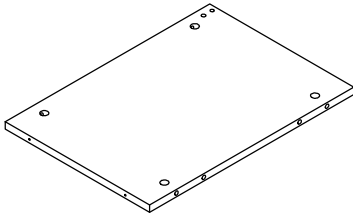


ⒶⒶ  
SHELF PANEL

---

# Board Identification

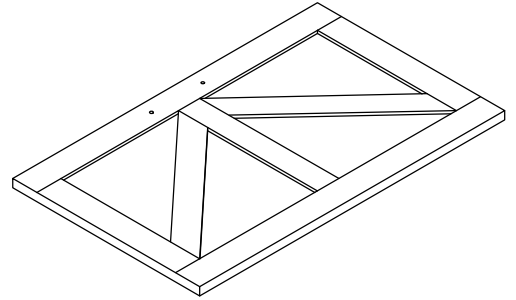
Not actual size



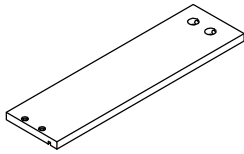
ⓑ  
BOTTOM



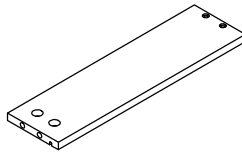
ⓒ  
LEG



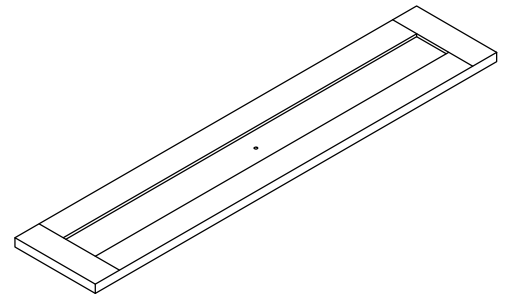
ⓓ  
PANEL



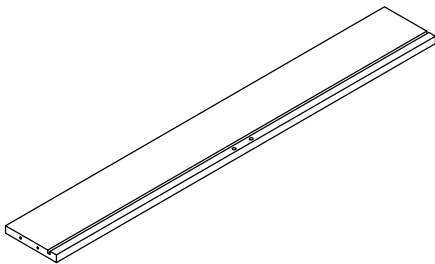
ⓔ  
DRAWER LEFT SIDE PANEL  
Qty:2



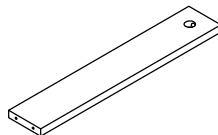
ⓕ  
DRAWER RIGHT SIDE PANEL  
Qty:2



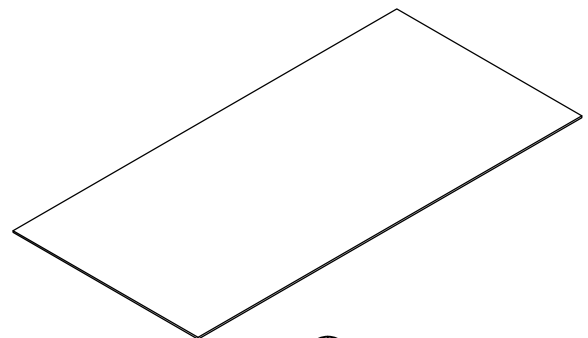
ⓖ  
DRAWER FRONT PANEL



ⓓⓓ  
DRAWER BACK PANEL



ⓓⓓ  
DRAWER BOTTOM SLAT

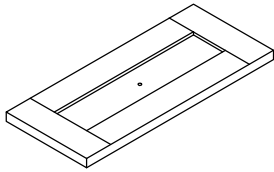


ⓓⓓ  
DRAWER BOTTOM PANEL

---

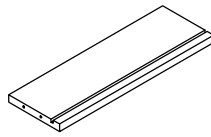
# Board Identification

Not actual size



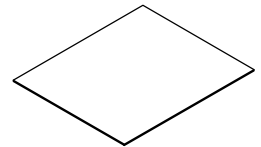
KK

DRAWER FRONT PANEL



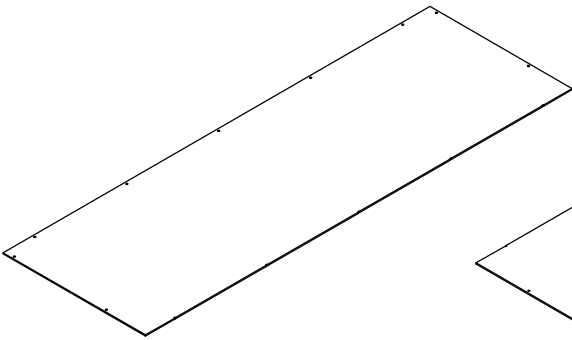
LL

DRAWER BACK PANEL



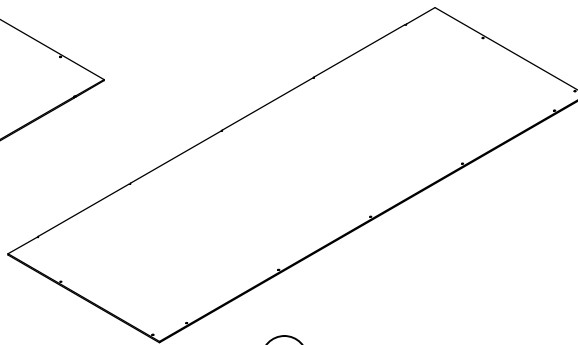
MM

DRAWER BOTTOM PANEL



NN

UPPER BACK PANEL

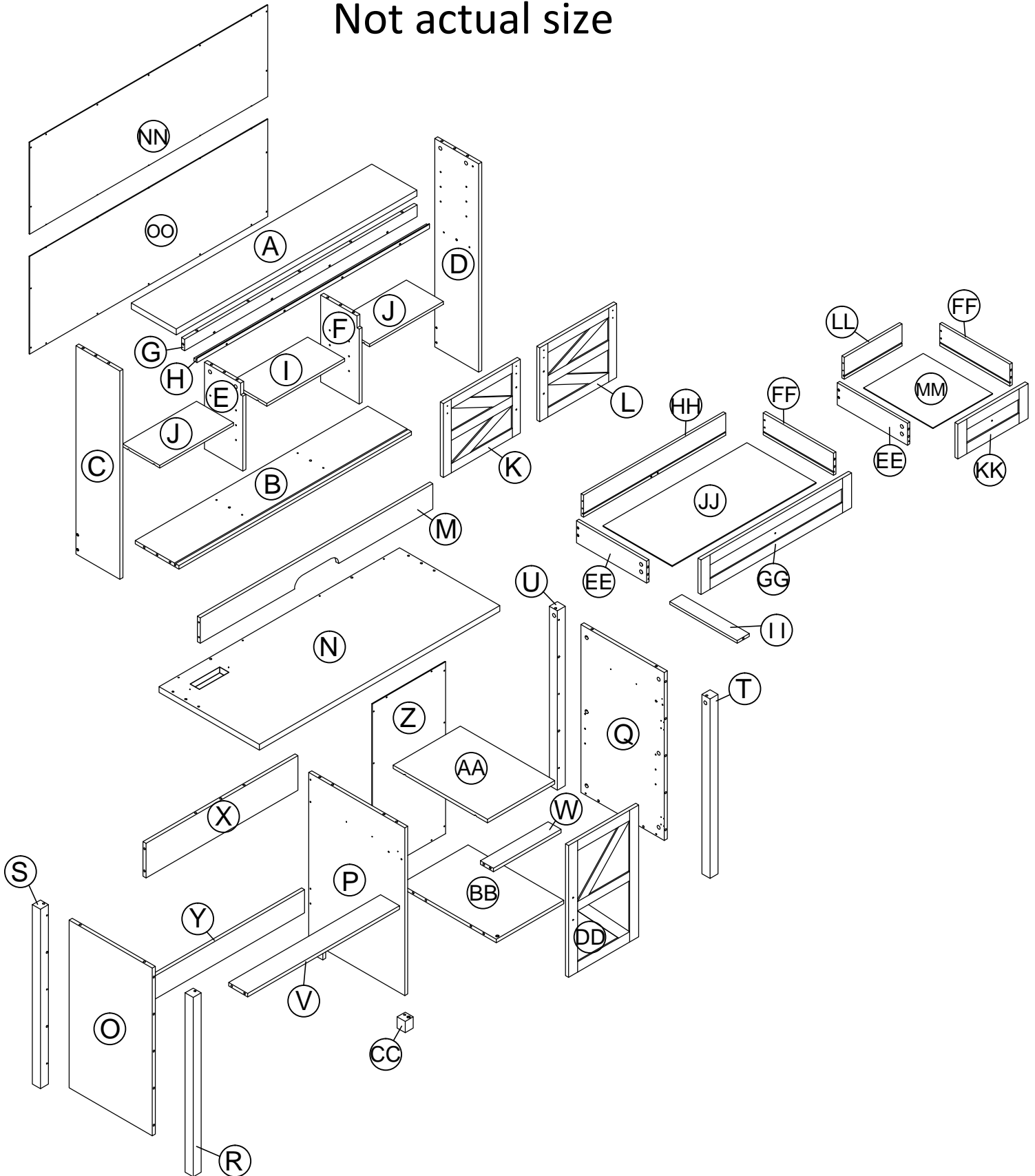


OO

UPPER BACK PANEL

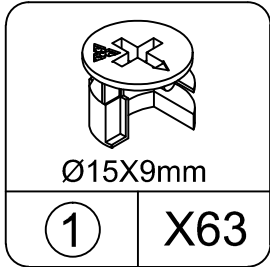
# Board Identification

Not actual size



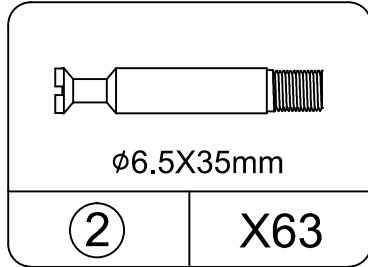


# Part List



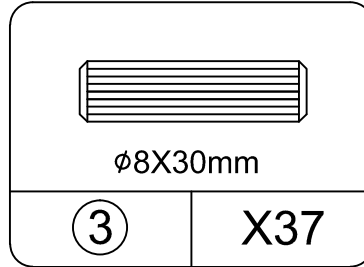
① X63

CAM LOCK  
spare: 3



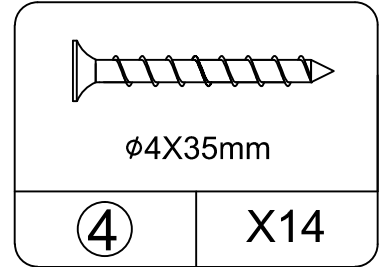
② X63

CAM BOLT  
spare: 3



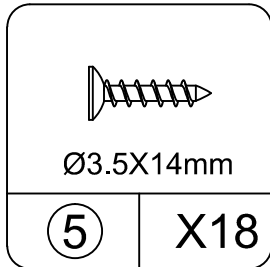
③ X37

WOOD DOWEL  
spare: 2



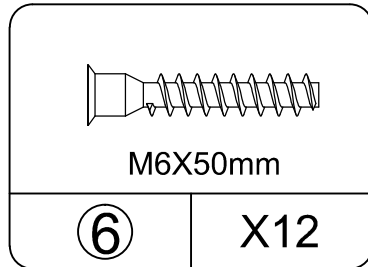
④ X14

SCREW  
spare: 1



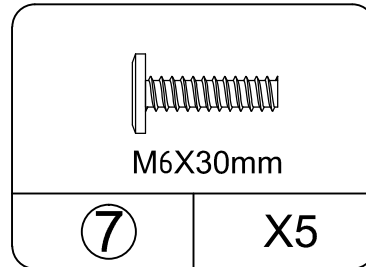
⑤ X18

SCREW  
spare: 2



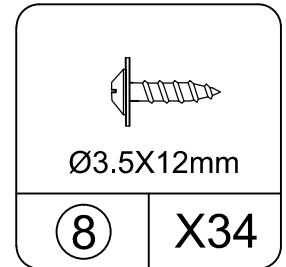
⑥ X12

SCREW  
spare: 1



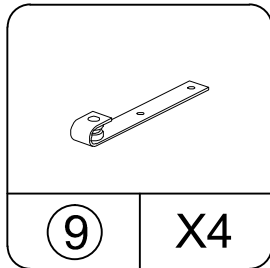
⑦ X5

SCREW  
spare: 1



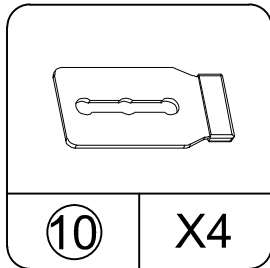
⑧ X34

SCREW  
spare: 2



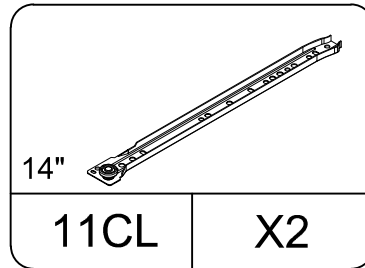
⑨ X4

PULLEY



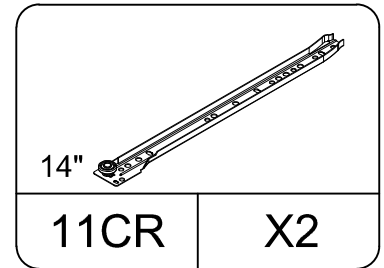
⑩ X4

PLATE



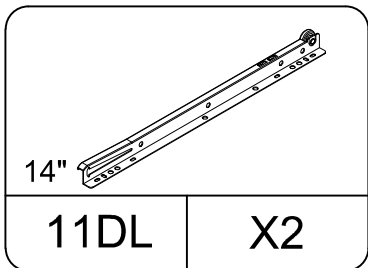
11CL X2

LEFT CABINET MEMBER



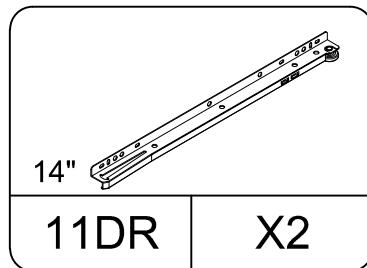
11CR X2

RIGHT CABINET MEMBER



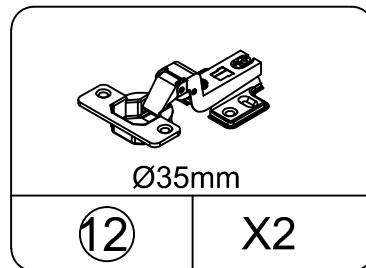
11DL X2

LEFT DRAWER RUNNER



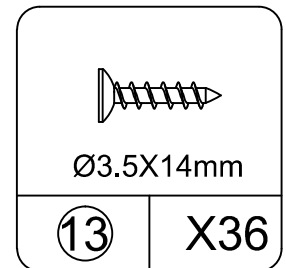
11DR X2

RIGHT DRAWER RUNNER



⑫ X2

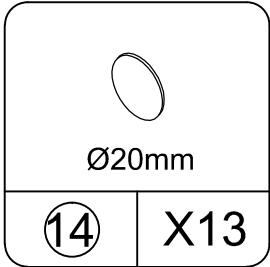
HINGE



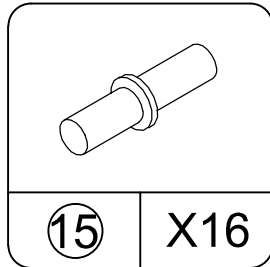
⑬ X36

SCREW  
spare: 2

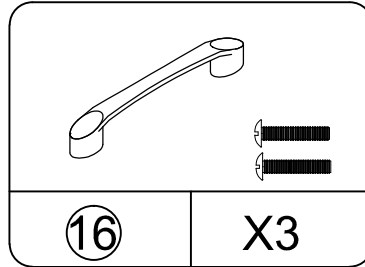
# Part List



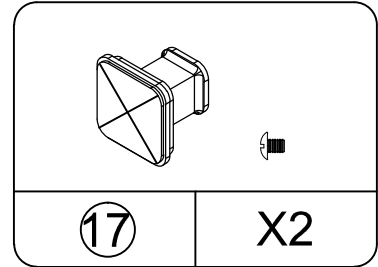
SCAM LOCK COVER



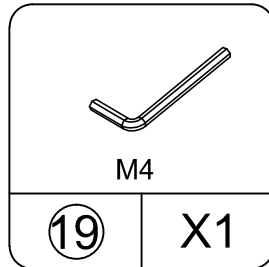
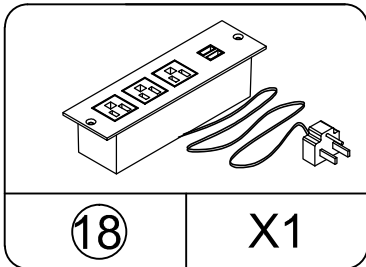
SHEIF SUPPORT



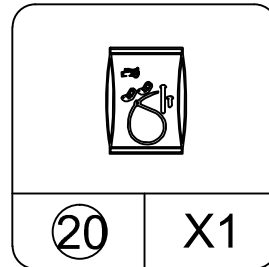
HANDLE



HANDLE



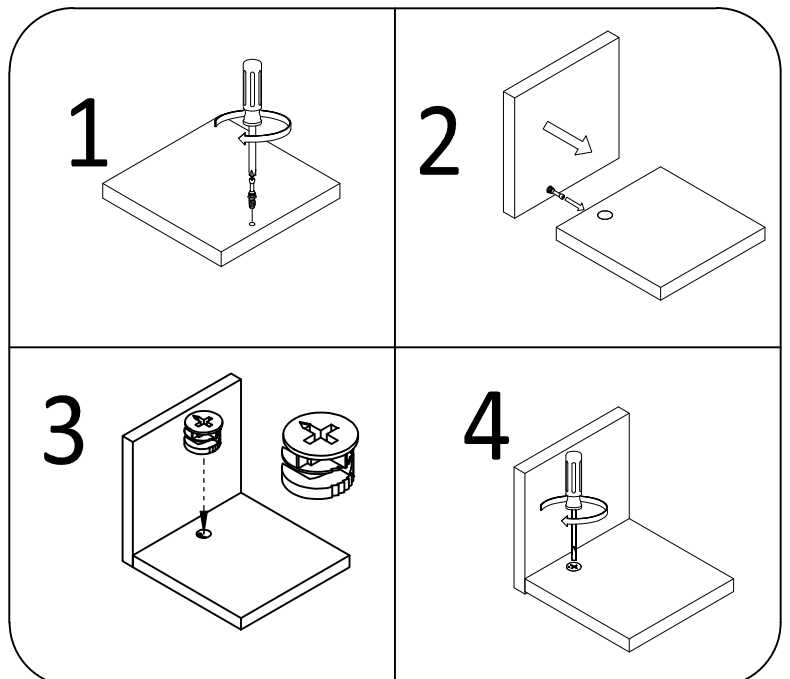
HEX KEY



TIPPING RESTRAINT  
HARDWARE KIT

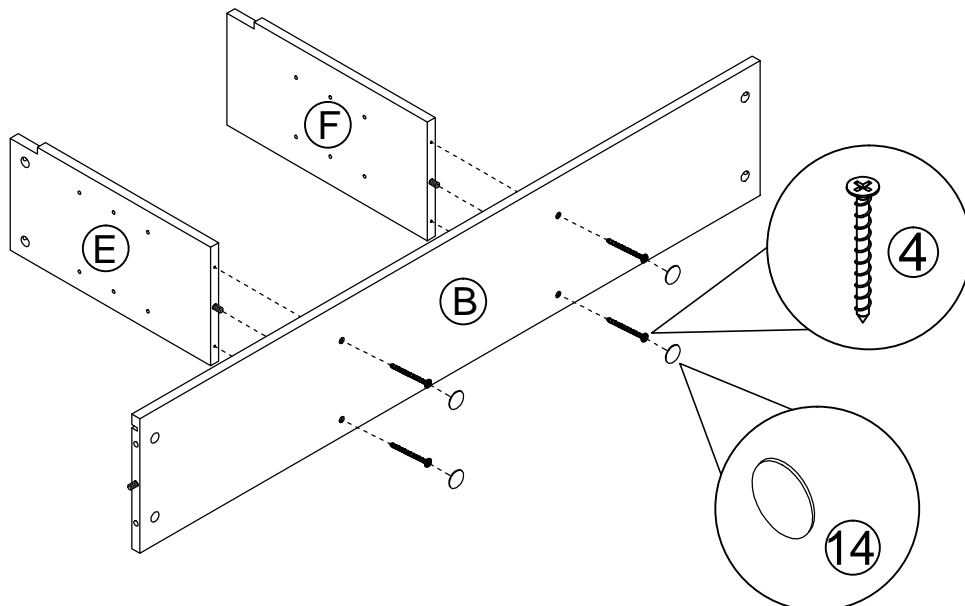
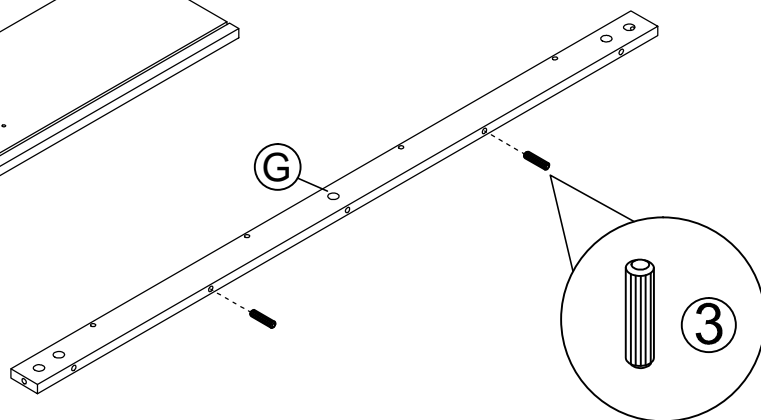
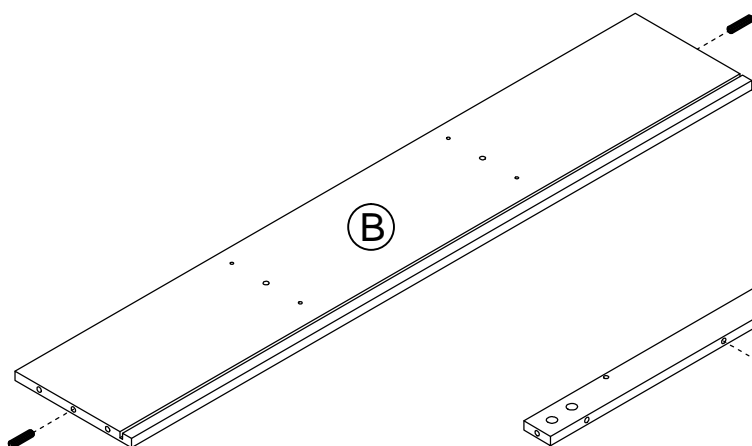
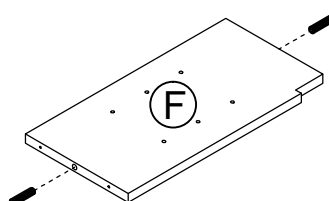
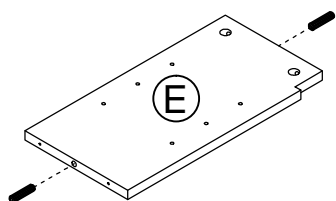
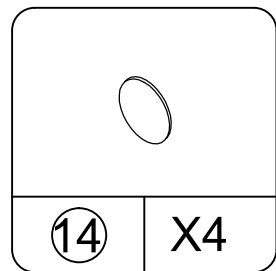
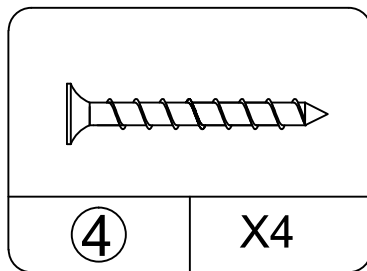
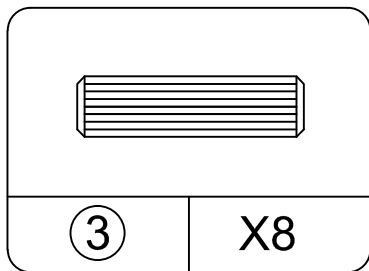
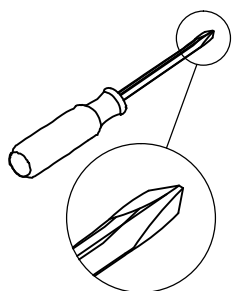
## Cam Lock Fastening System

Insert the cam bolt into the hole first, then insert the cam lock and lock it.

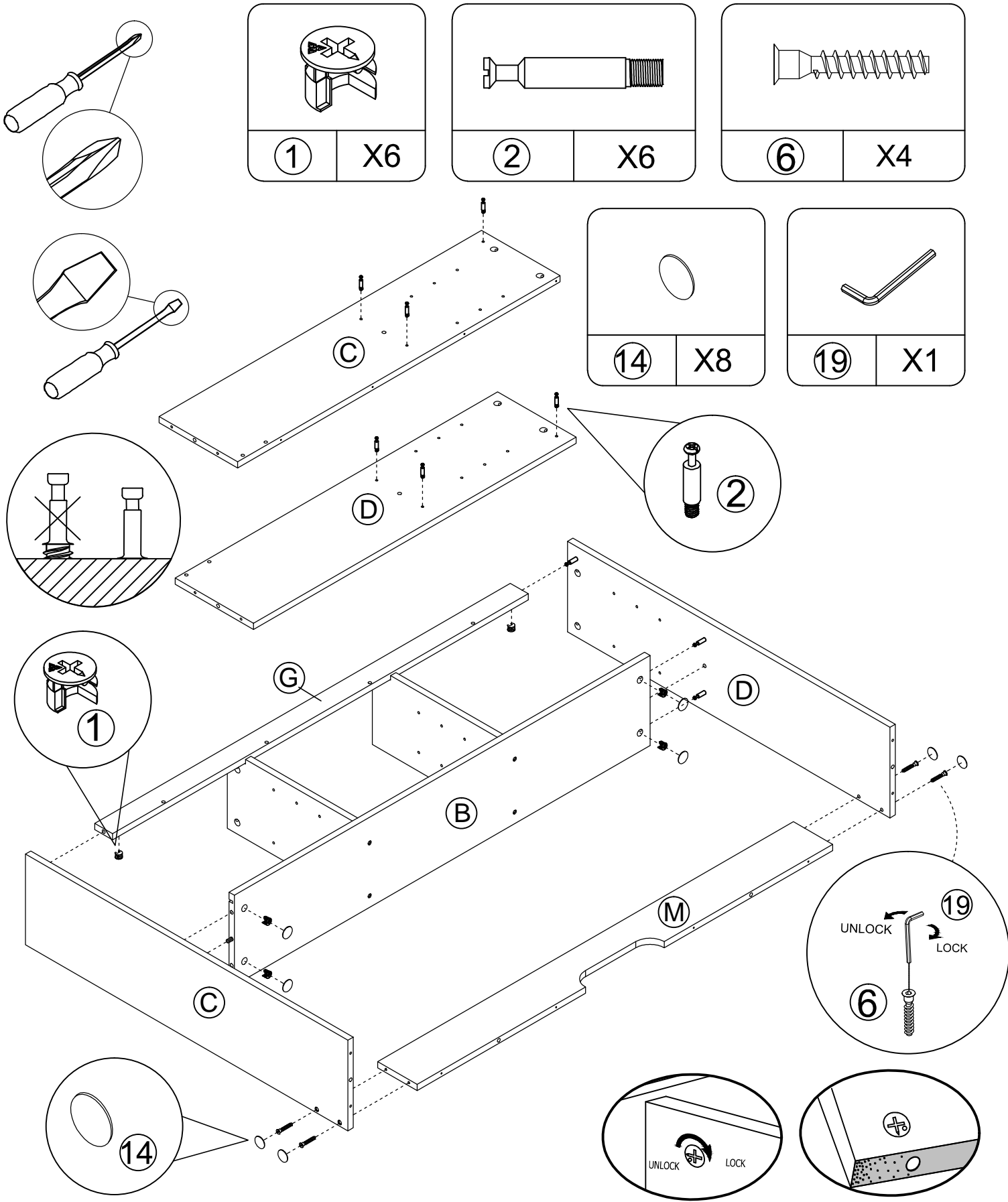


# STEP1

---

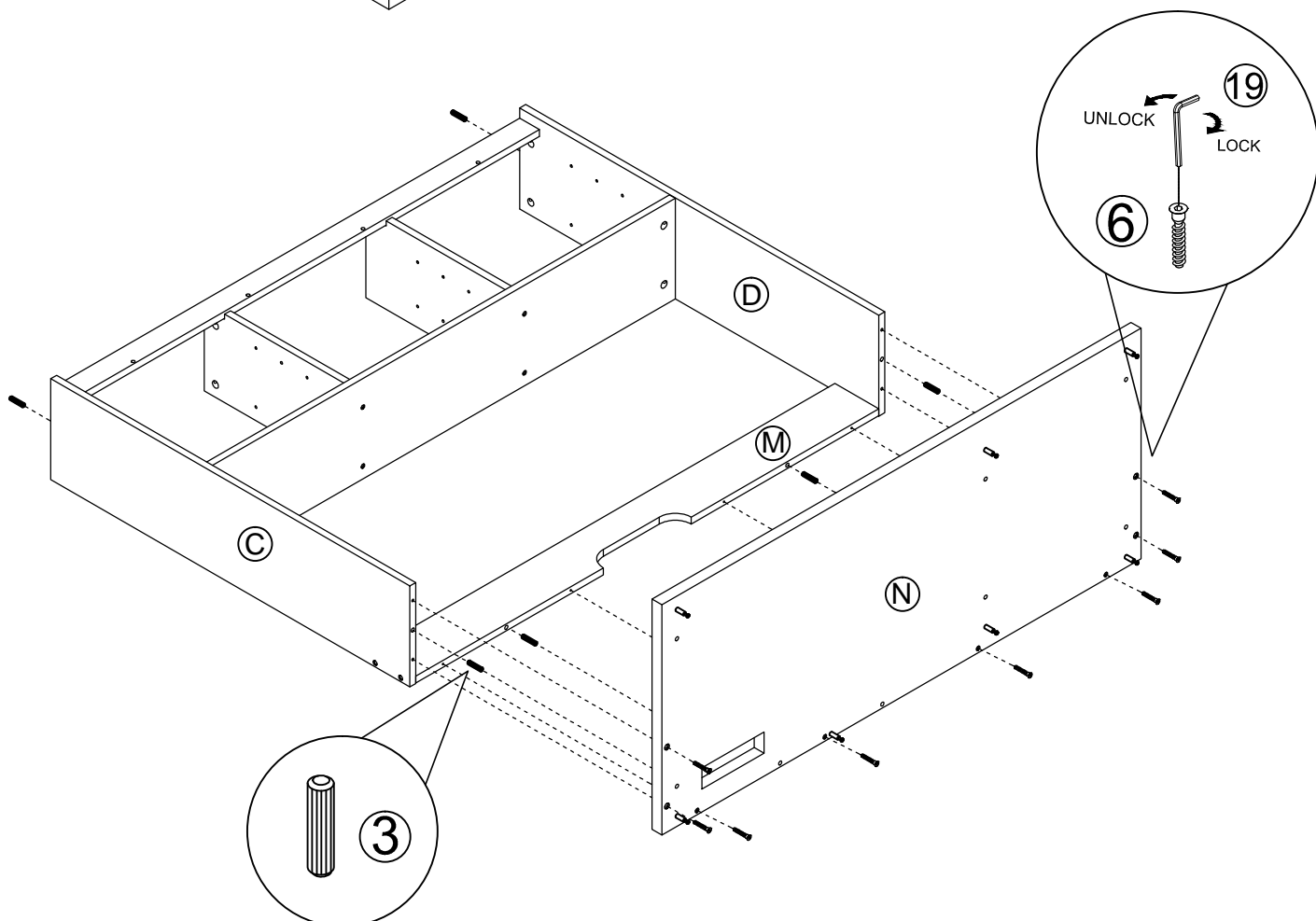
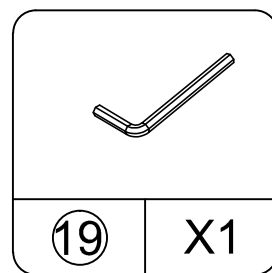
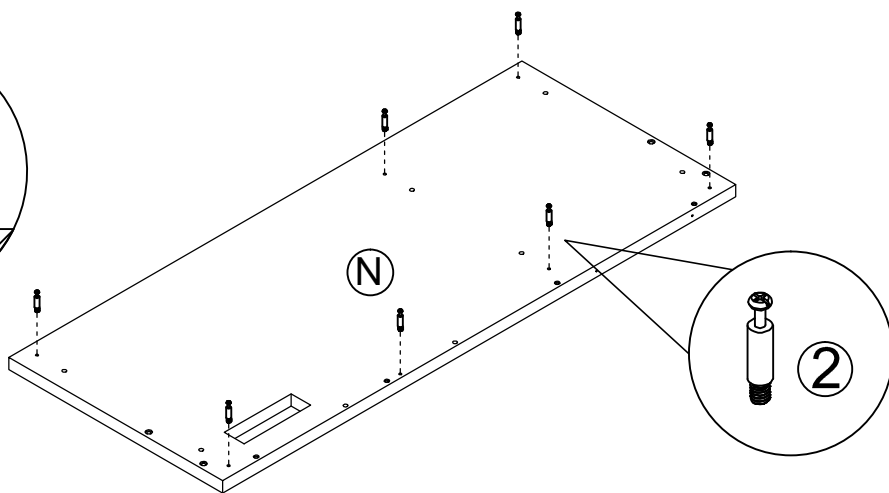
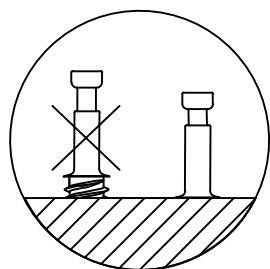
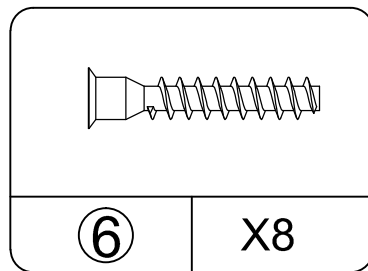
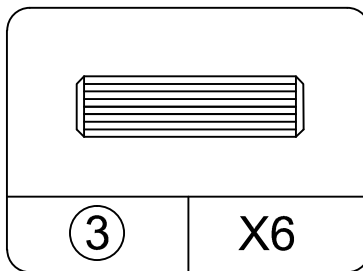
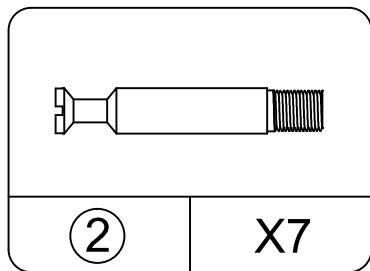
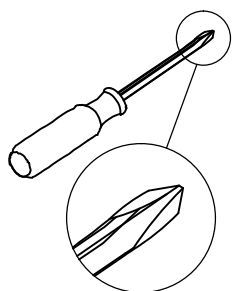


# STEP2



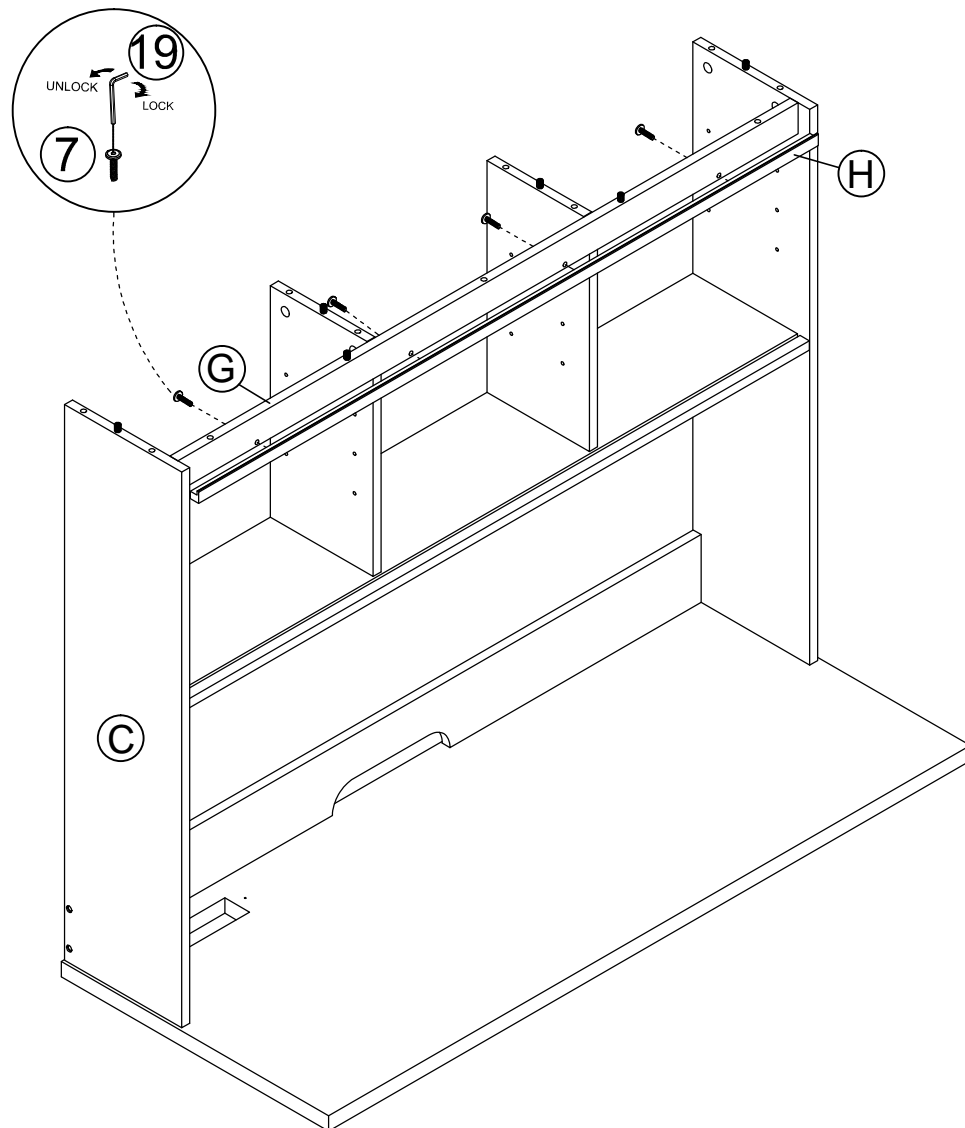
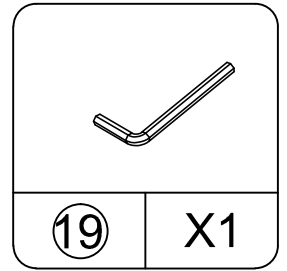
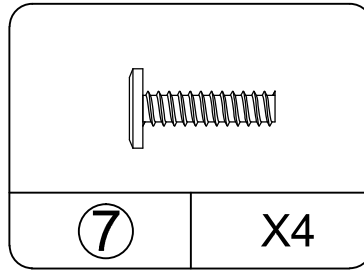
Proper orientation of CAM LOCK

# STEP 3

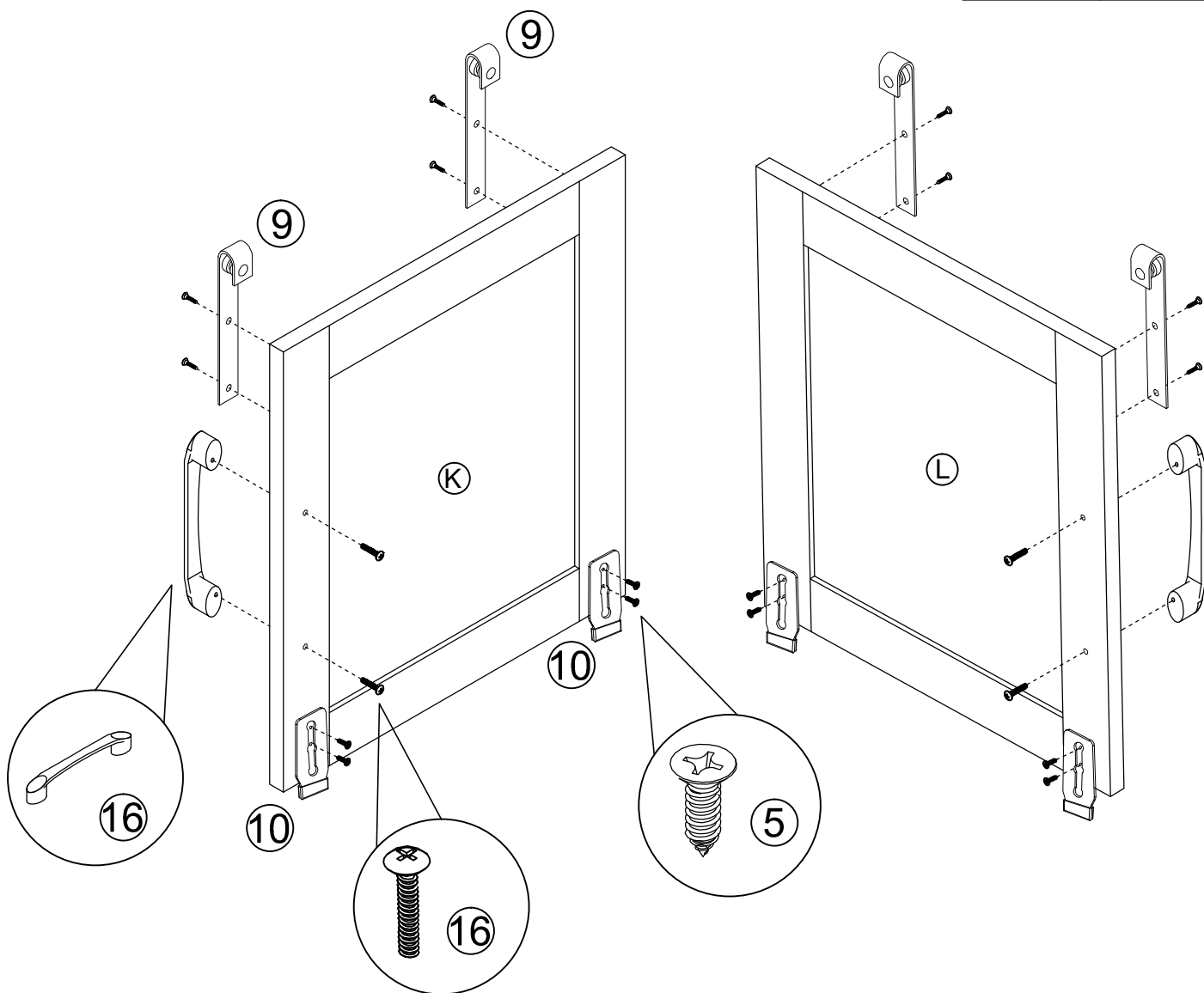
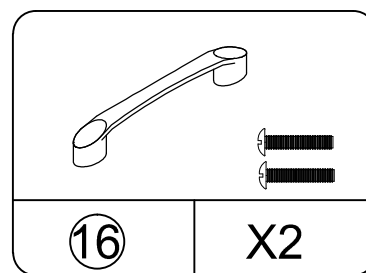
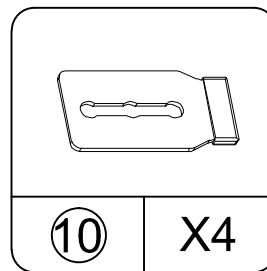
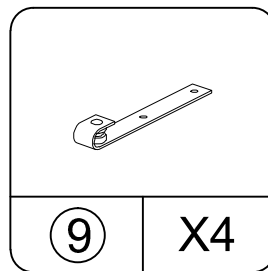
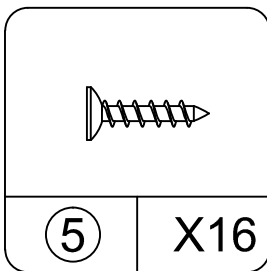
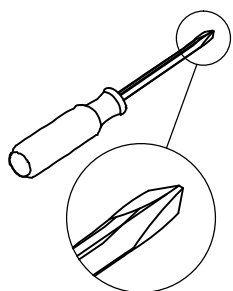


# STEP4

---

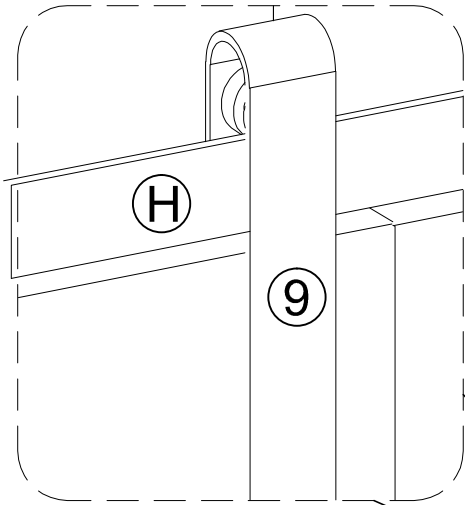


# STEP 5

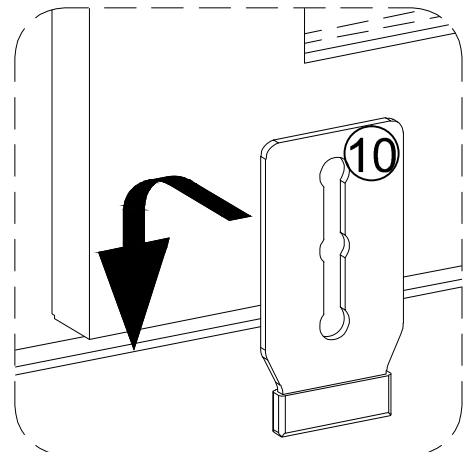
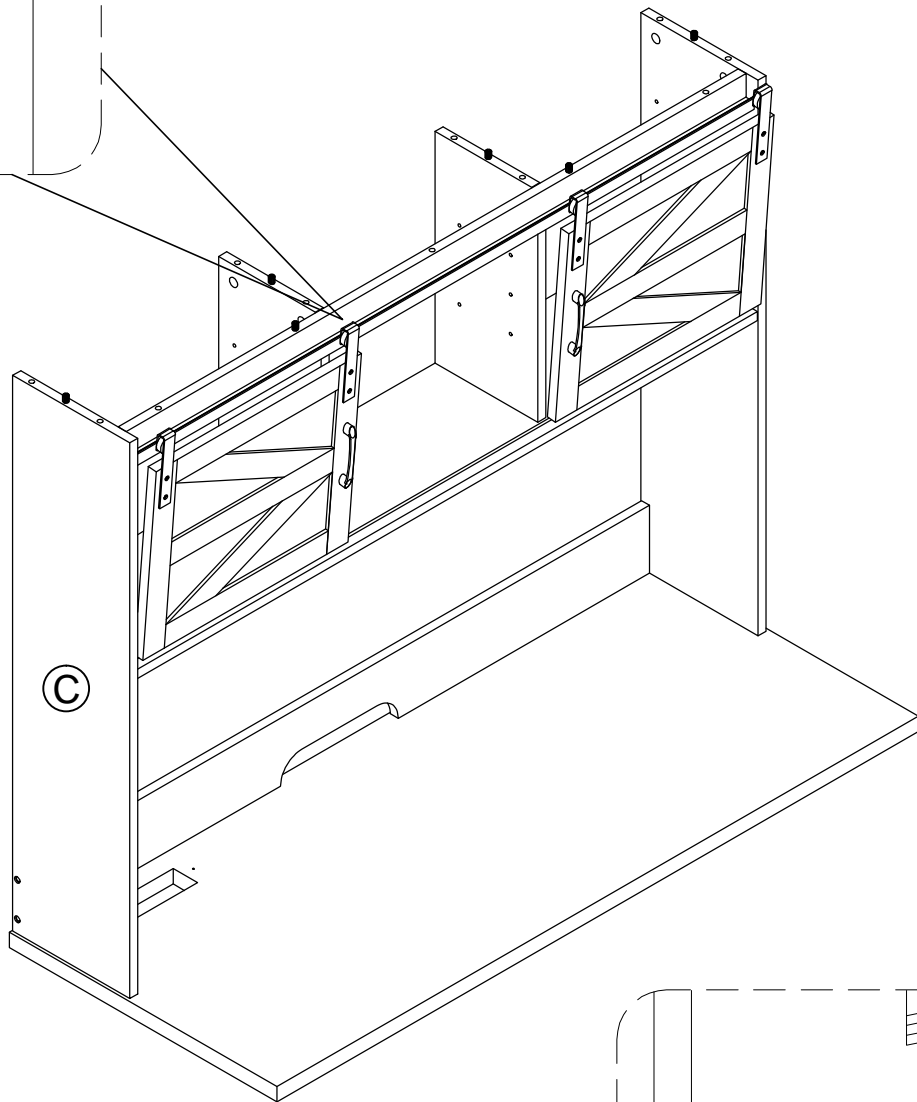


# STEP6

---

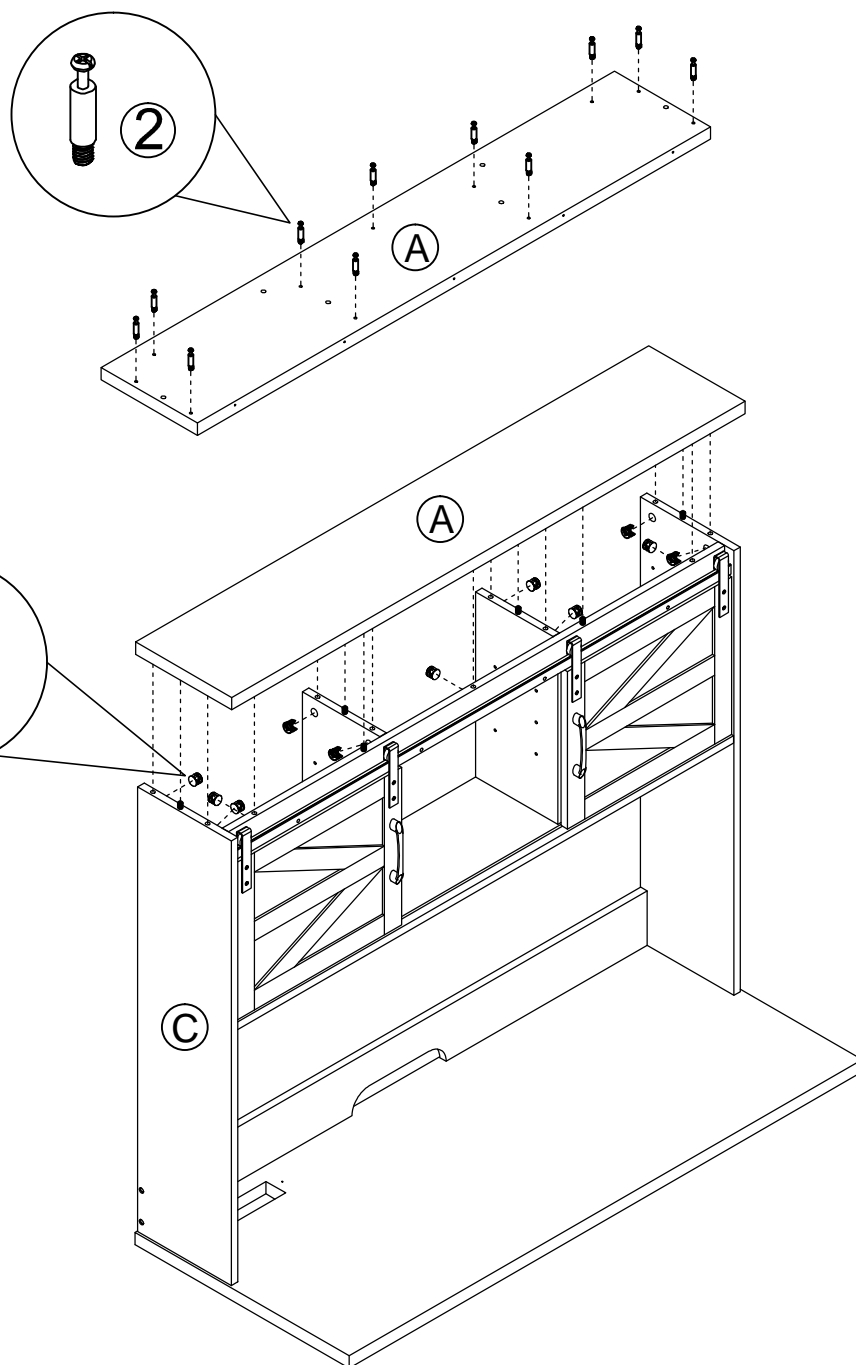
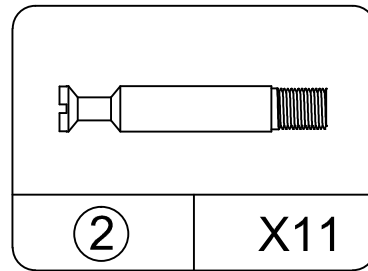
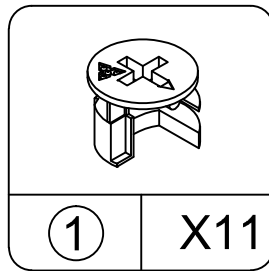
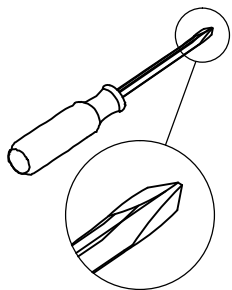


Part 9 shall be hung on part H.  
Part 10 shall be inserted into the groove.

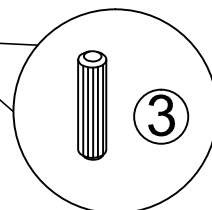
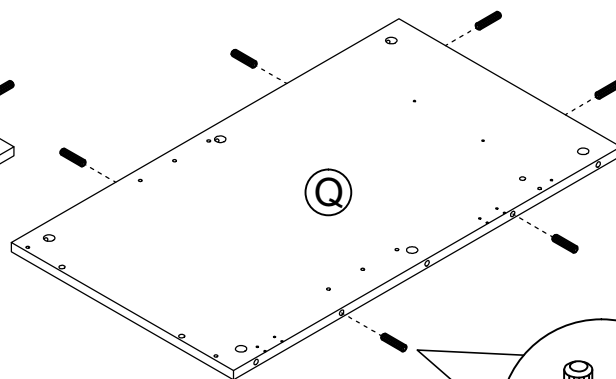
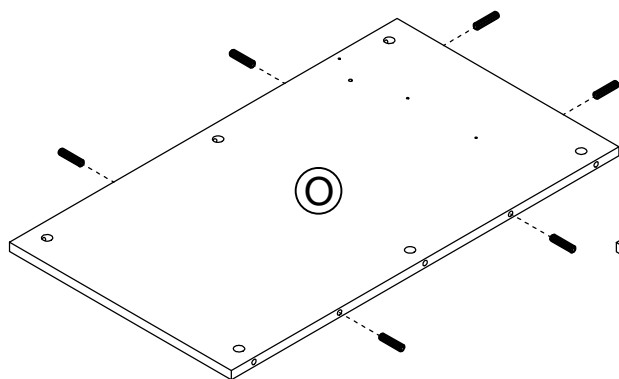
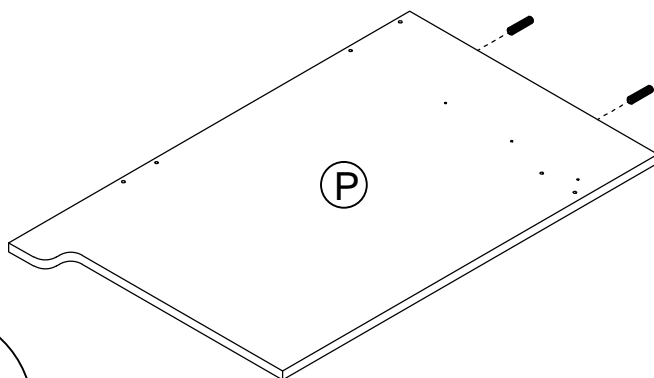
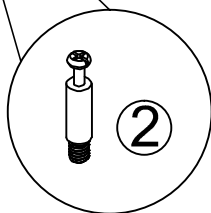
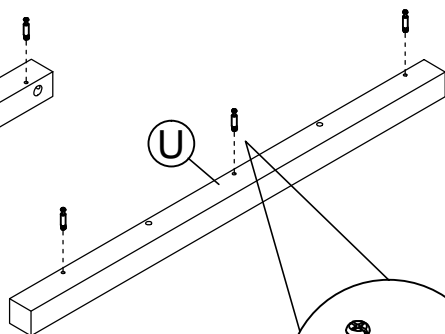
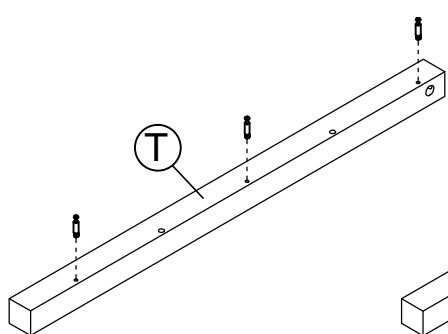
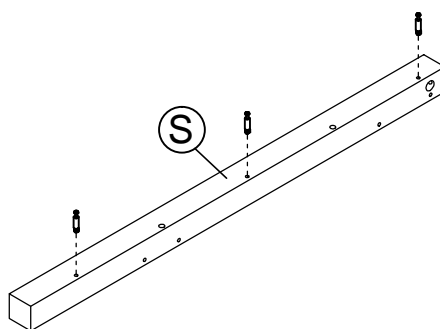
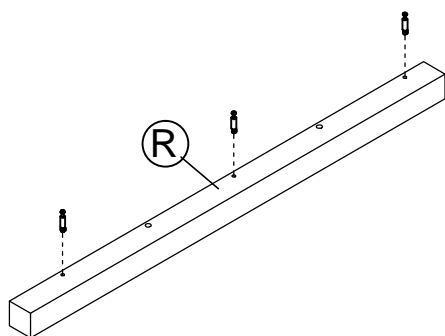
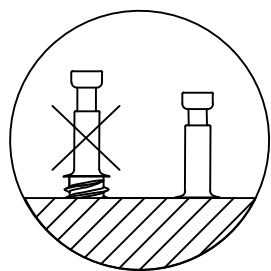
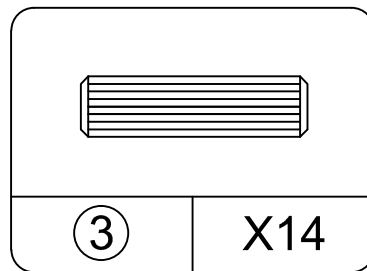
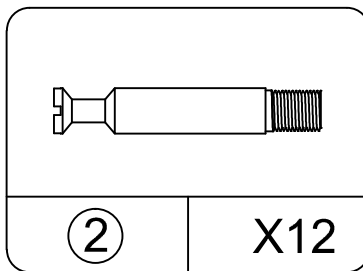
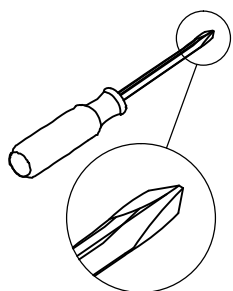




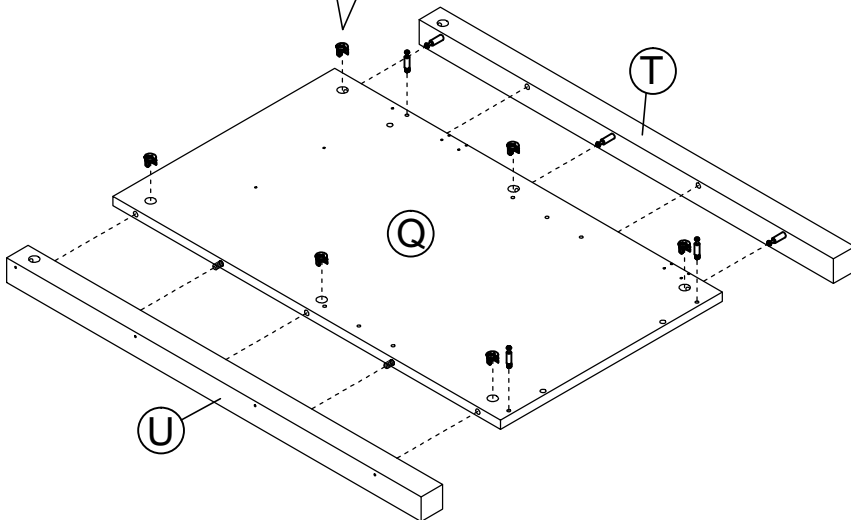
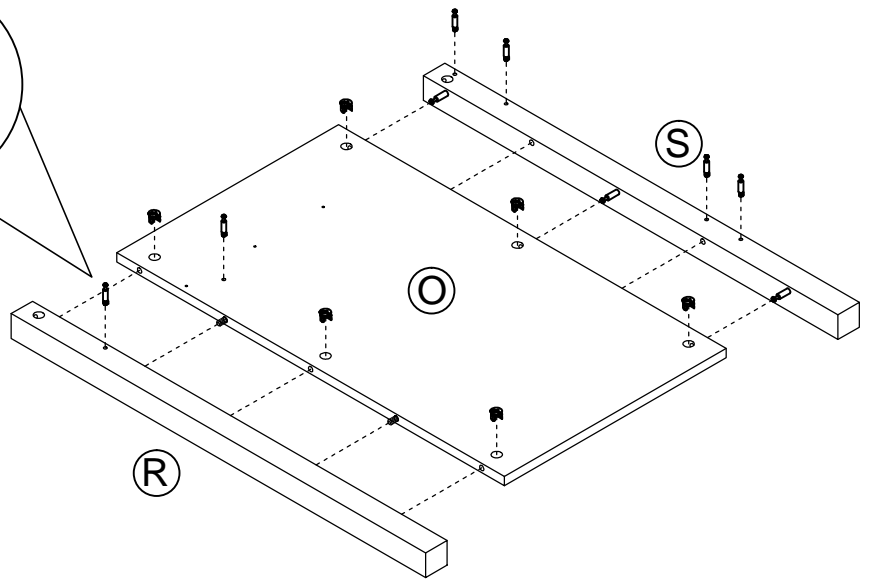
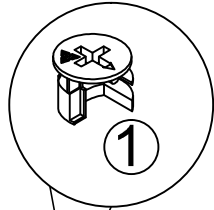
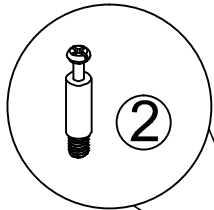
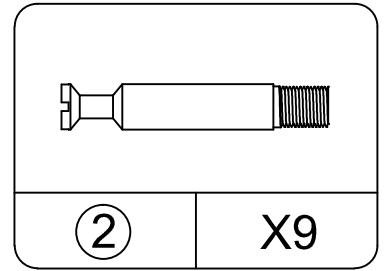
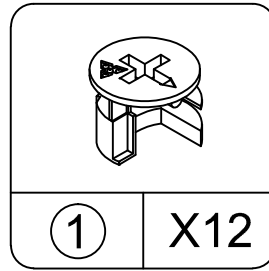
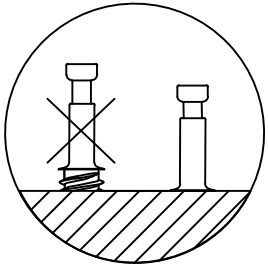
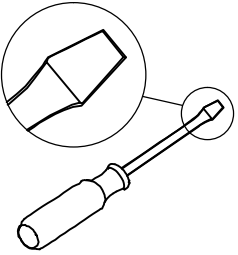
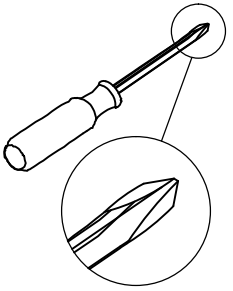
# STEP 7



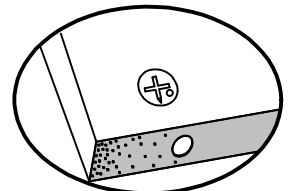
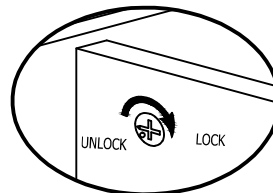
# STEP 8



# STEP 9

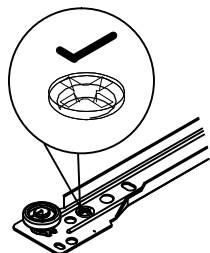
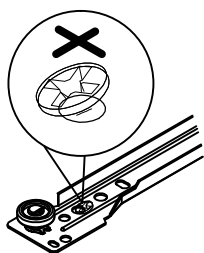
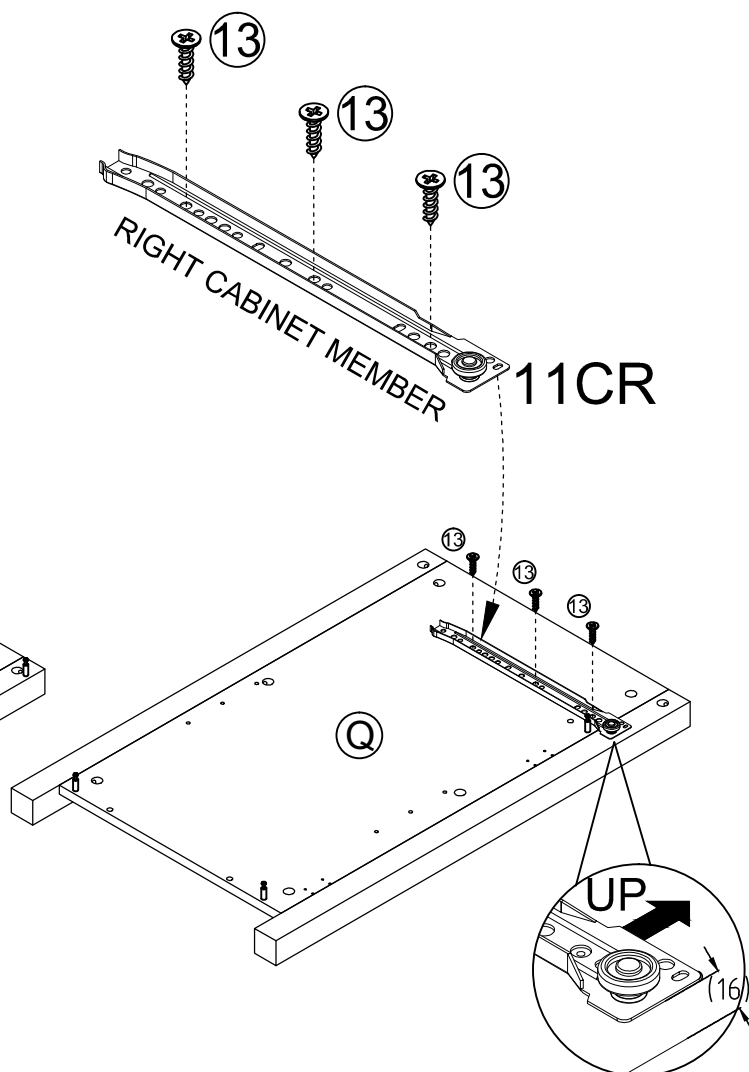
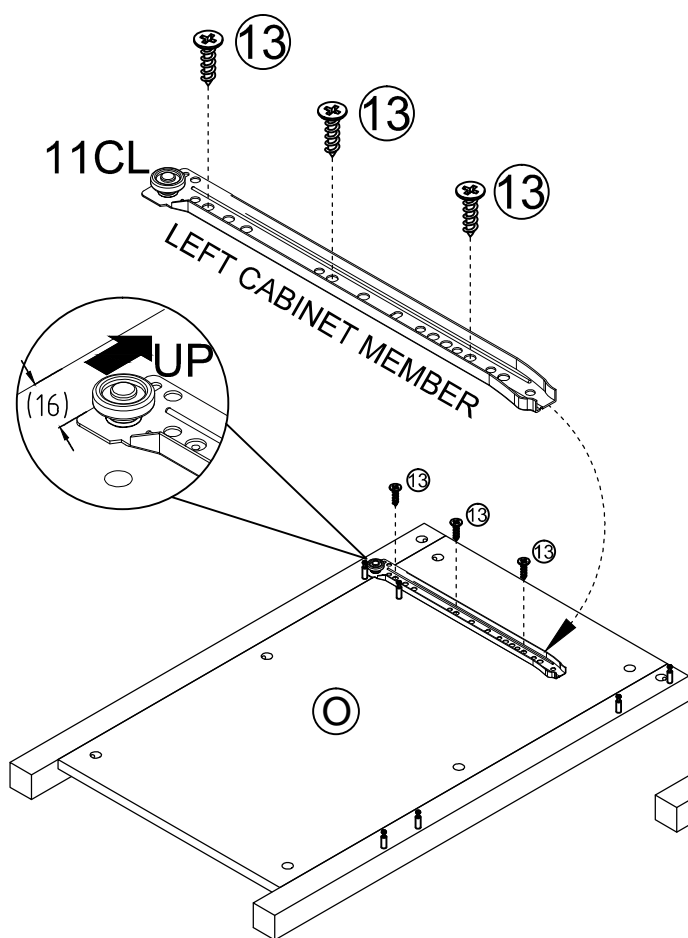
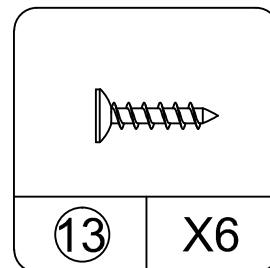
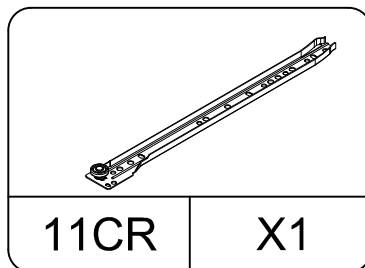
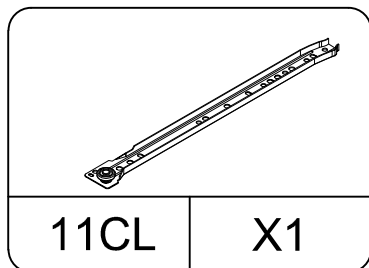
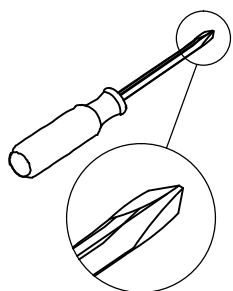


U



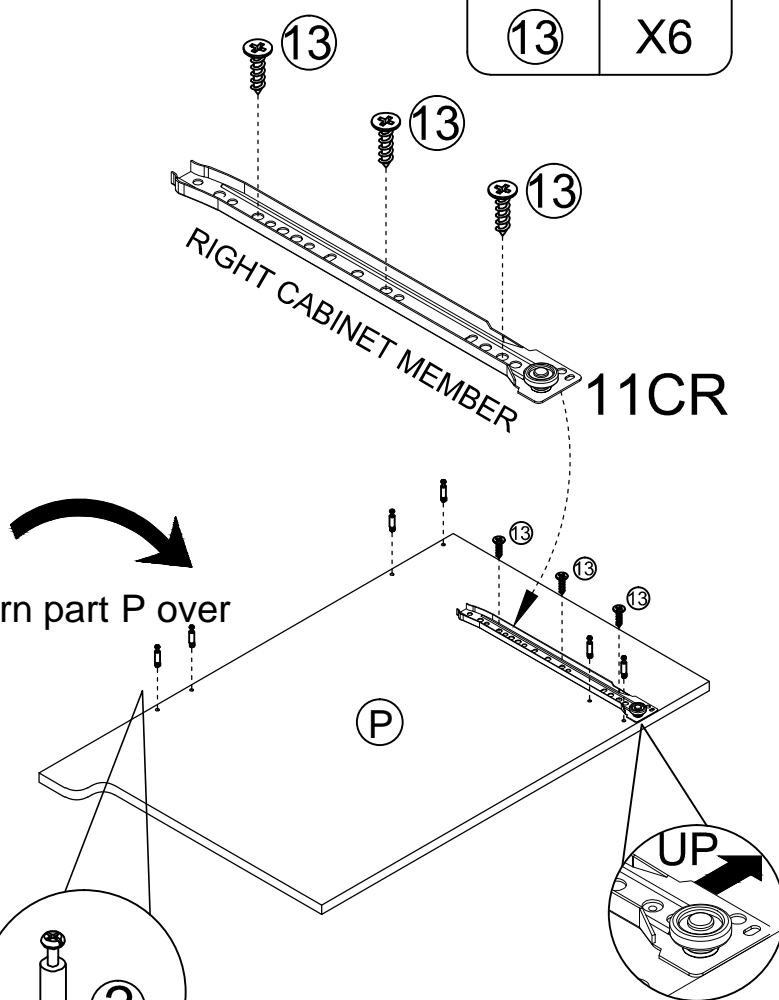
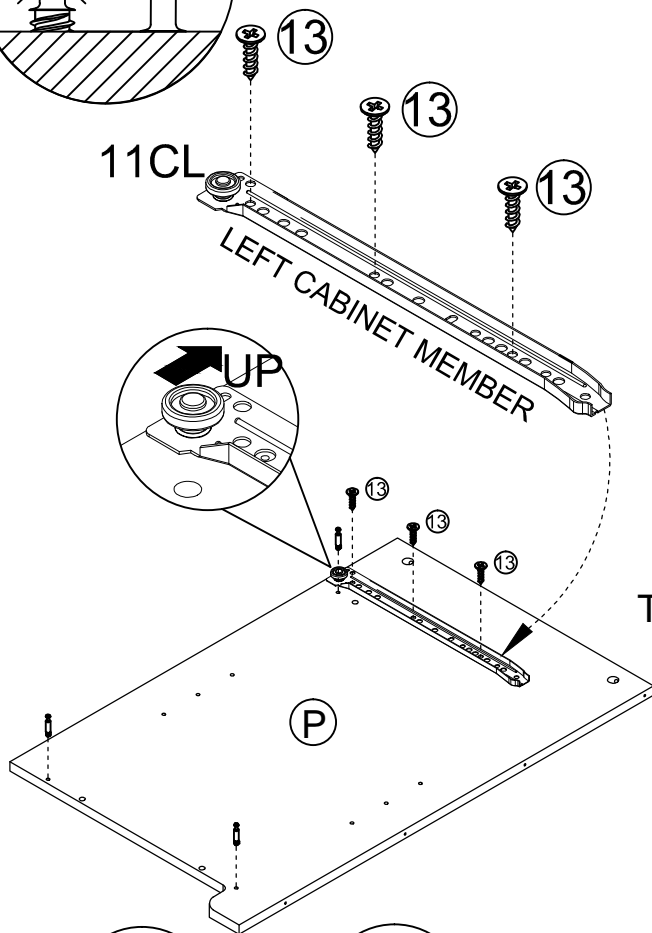
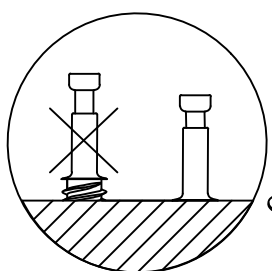
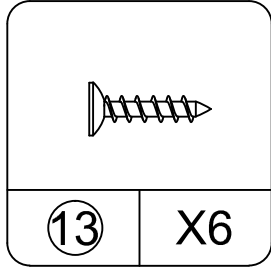
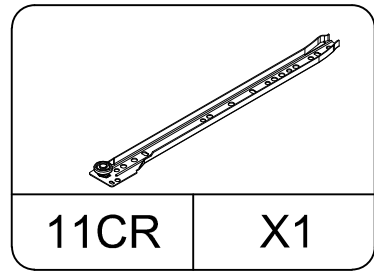
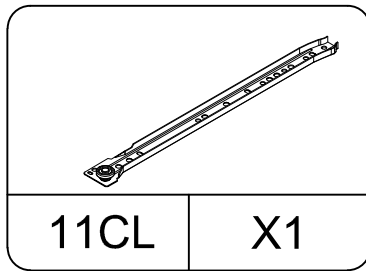
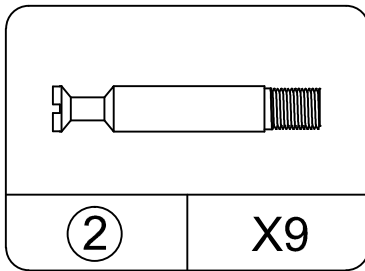
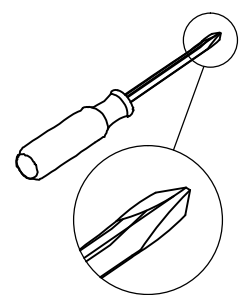
Proper orientation of CAM LOCK

# STEP10

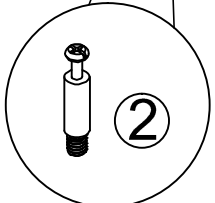
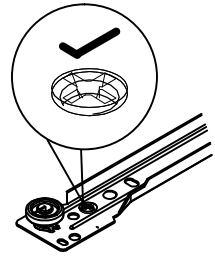
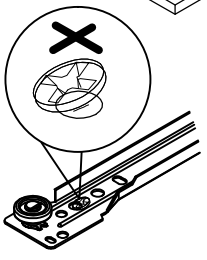


Please make sure that the screw is VERTICAL so as not to affect the sliding of the drawer.

# STEP 11

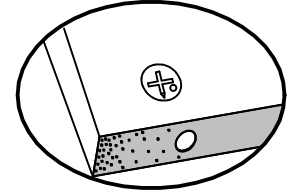
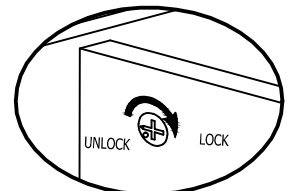
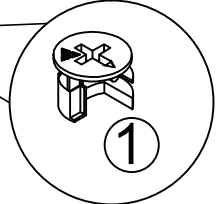
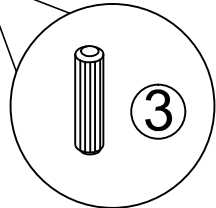
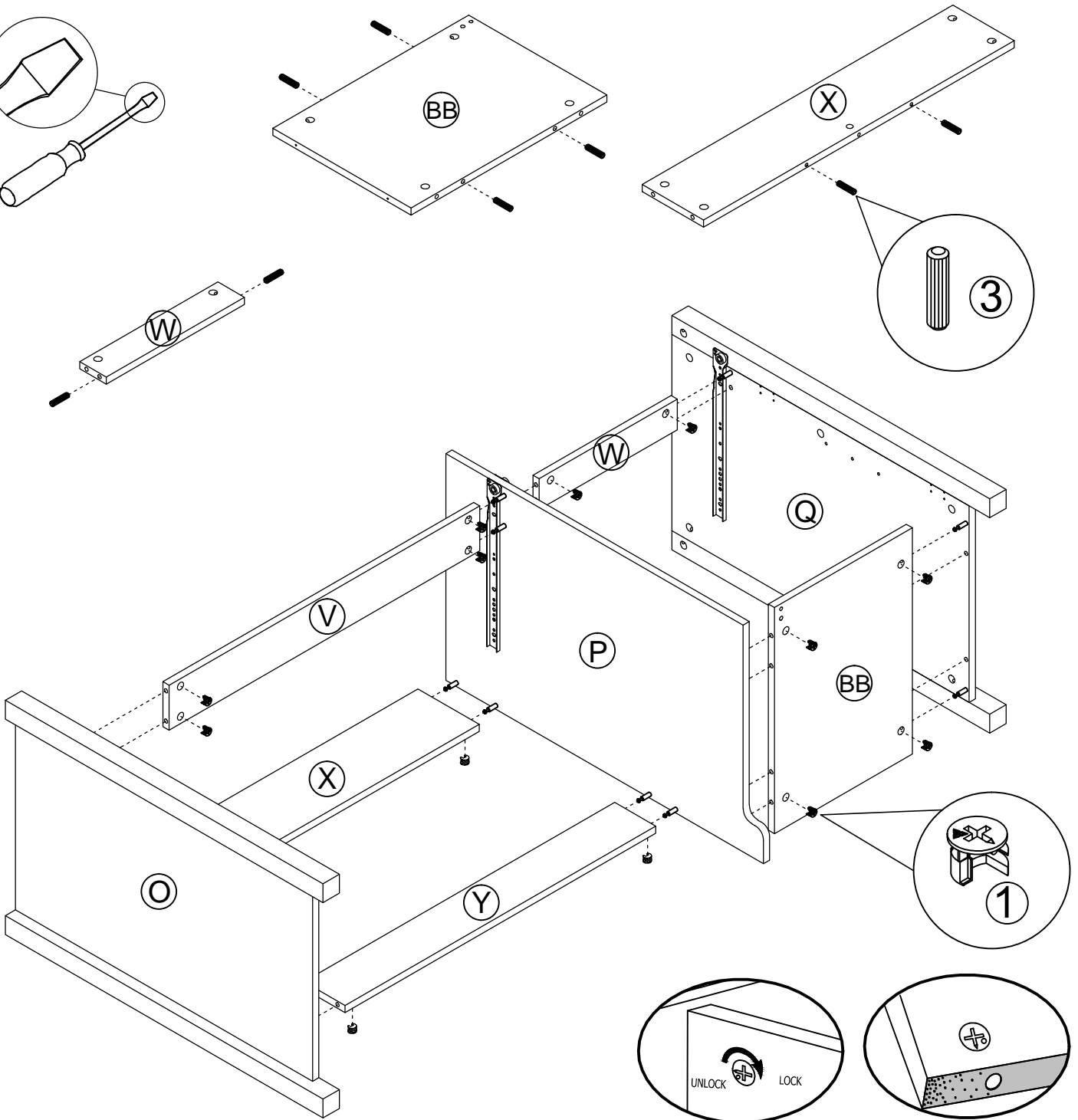
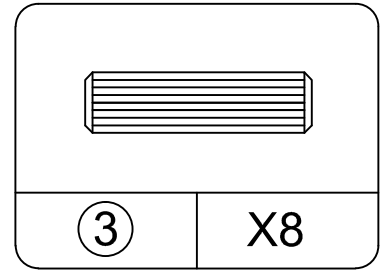
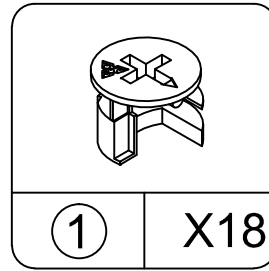
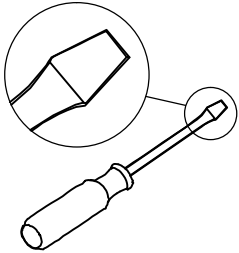
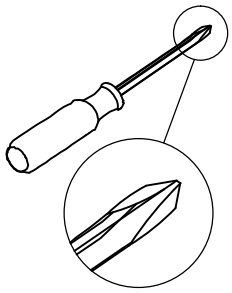


Turn part P over



Please make sure that the screw is VERTICAL so as not to affect the sliding of the drawer.

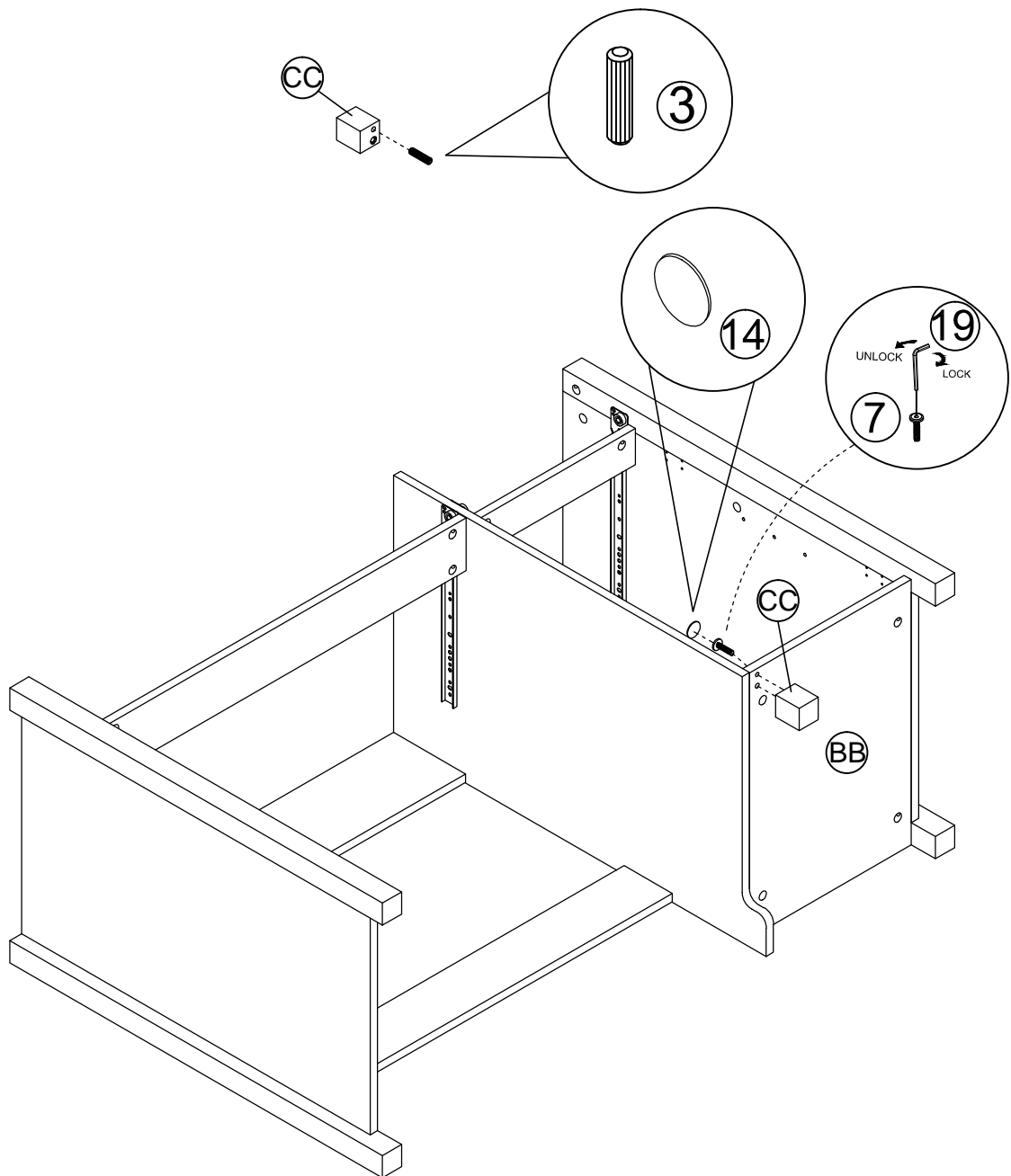
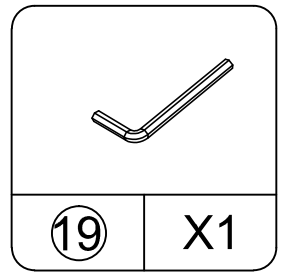
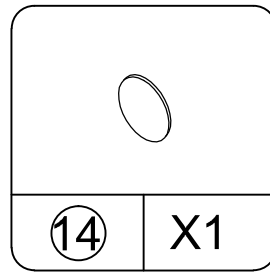
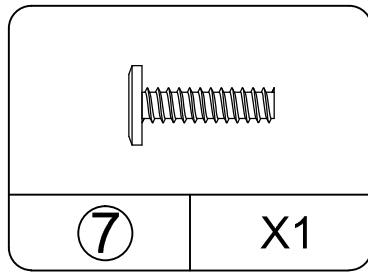
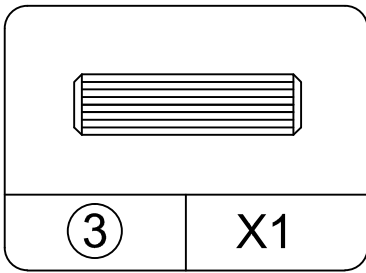
# STEP12



Proper orientation of CAM LOCK

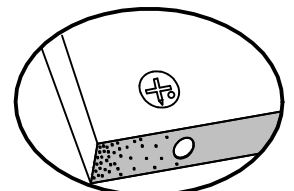
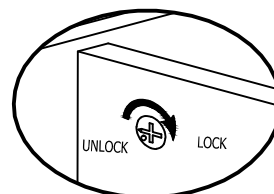
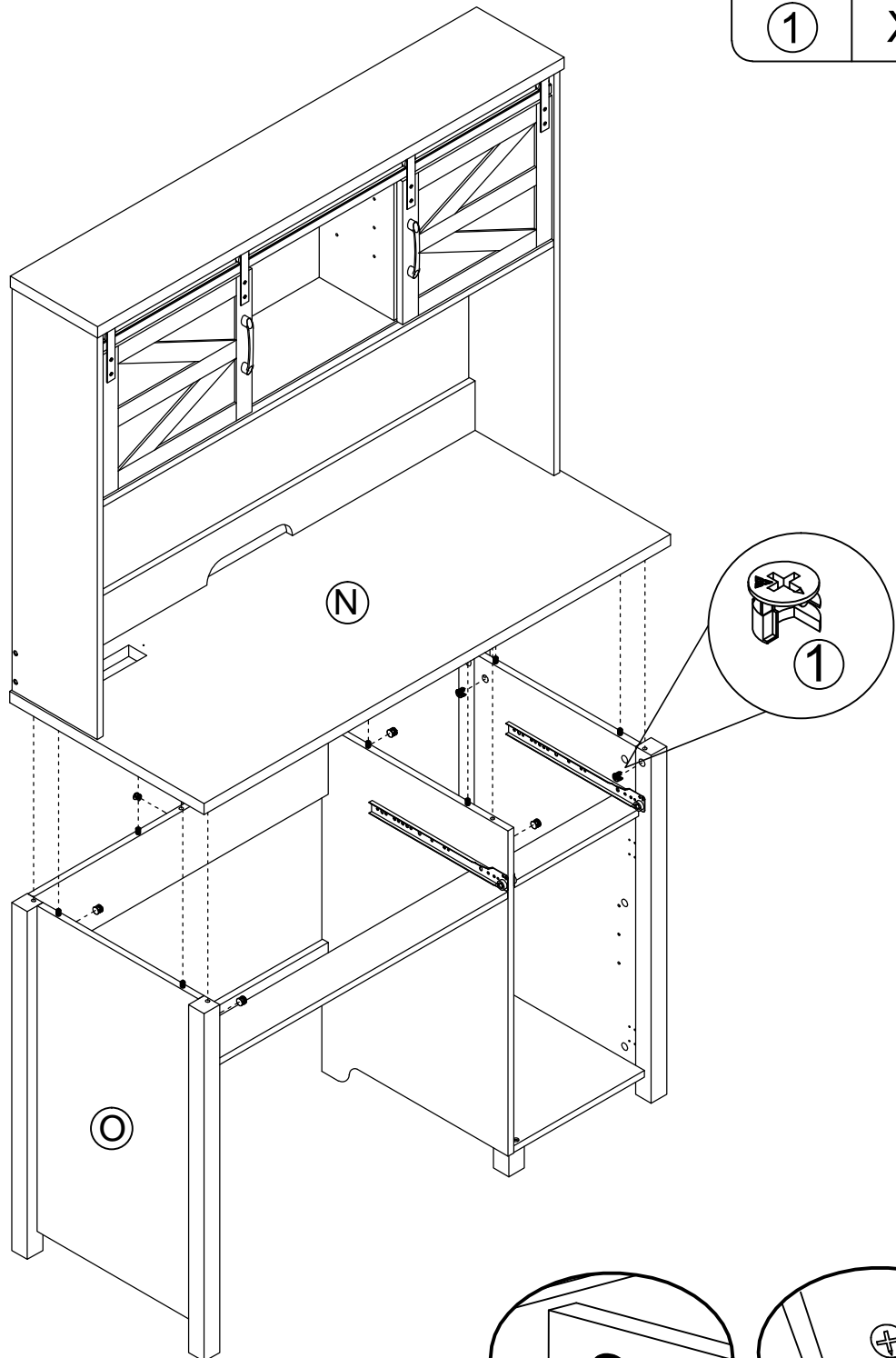
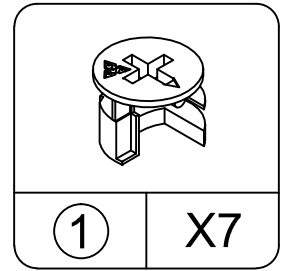
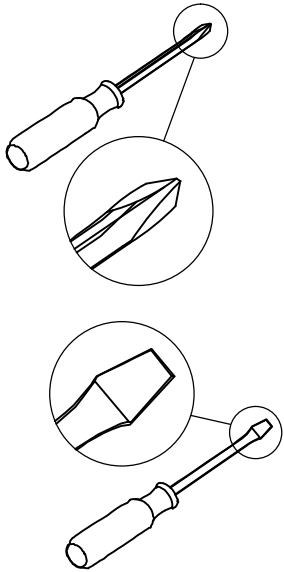
# STEP13

---



# STEP14

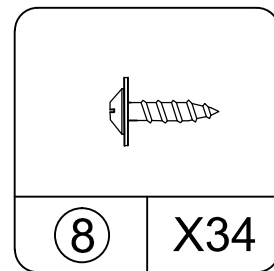
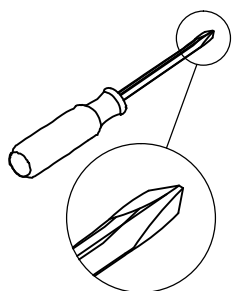
THIS STEP REQUIRES 2 PEOPLE



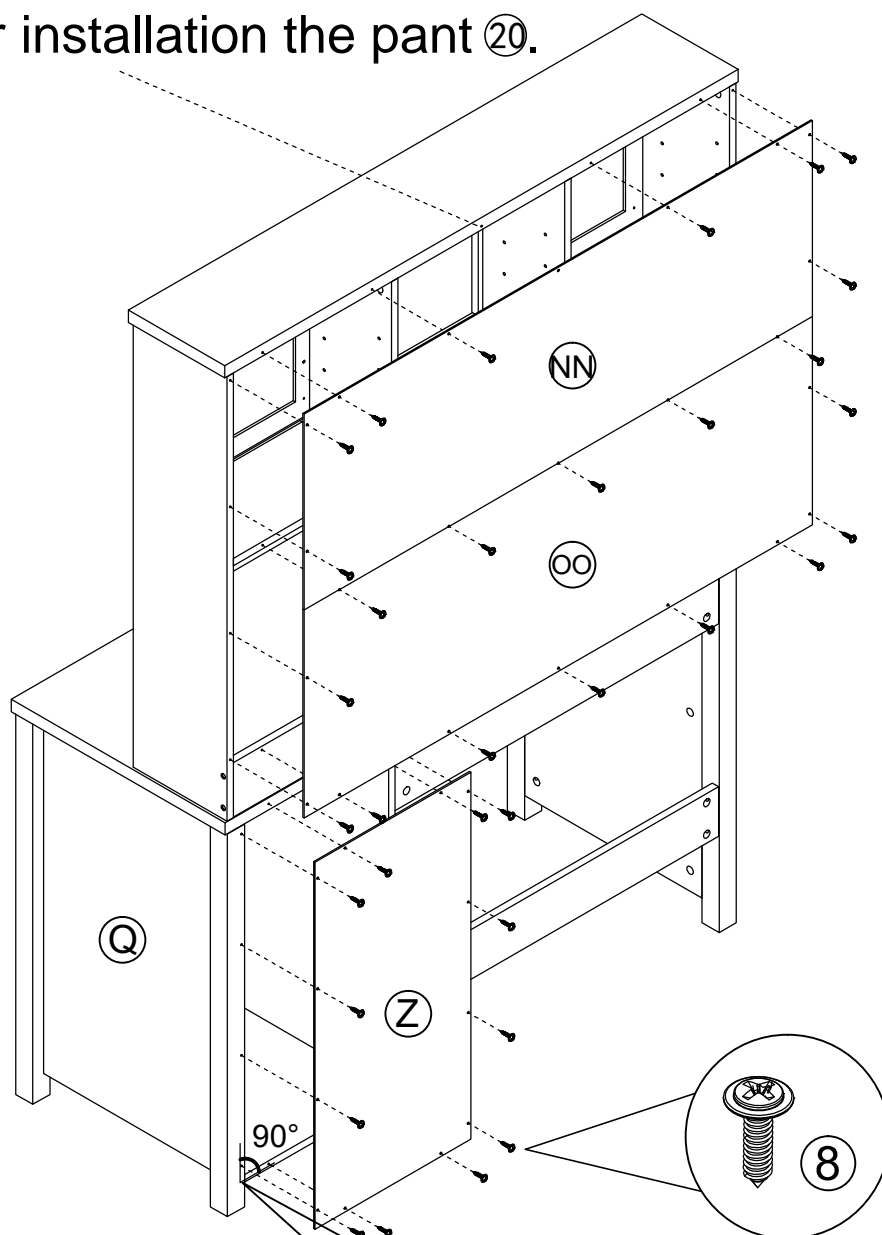
Proper orientation of CAM LOCK



# STEP15

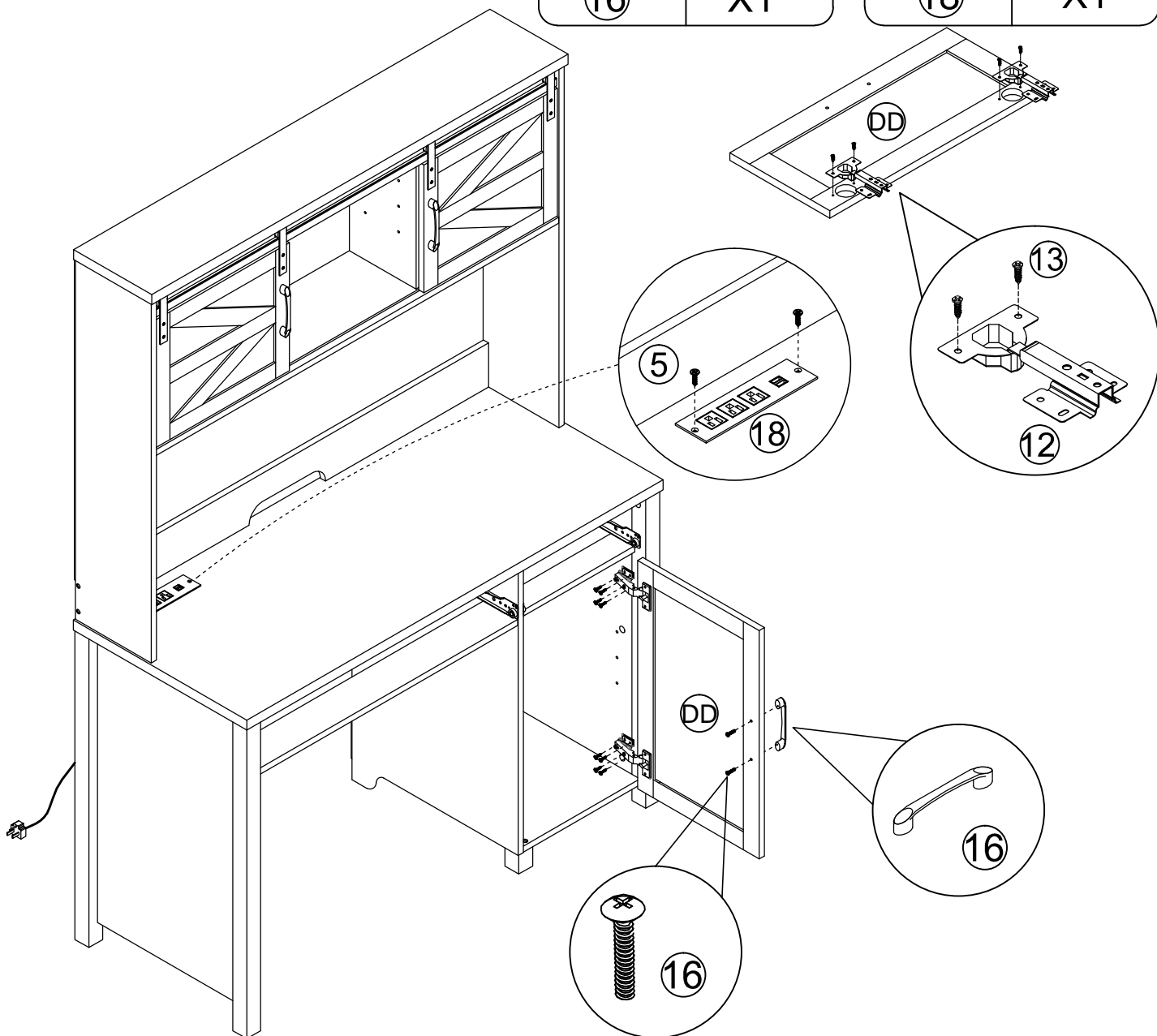
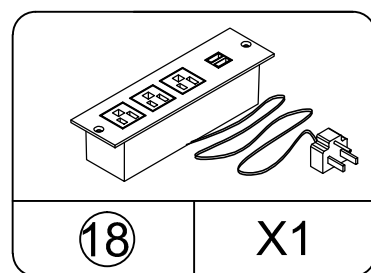
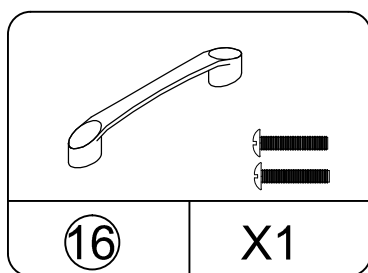
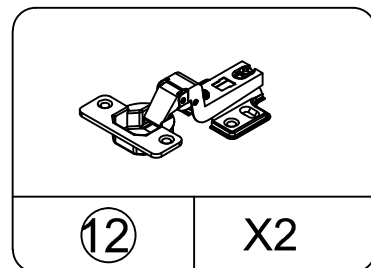
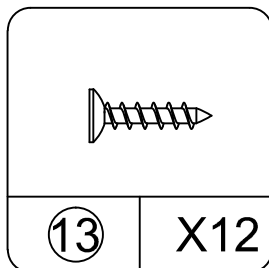
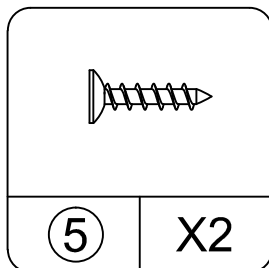
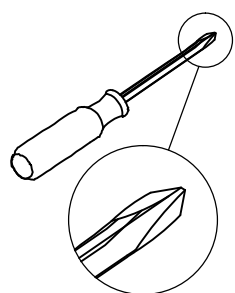


This hole for installation the part ②0.



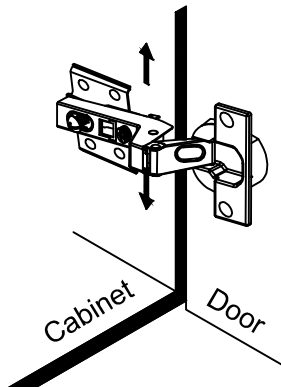
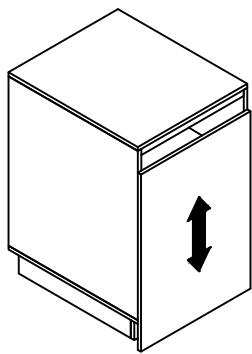
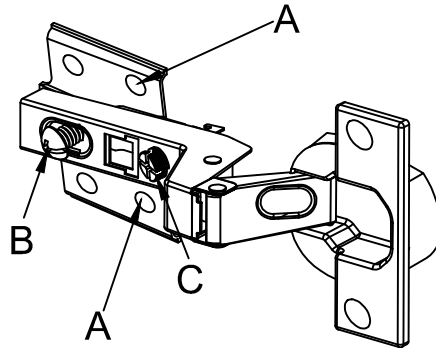
Before attaching the back panel, be sure that the unit is at 90°  
Avant d'attacher le panneau arrière, assurez-vous que l'unité est à 90°  
Antes de fijar el panel posterior, asegúrese de que la unidad esté a 90°

# STEP 16



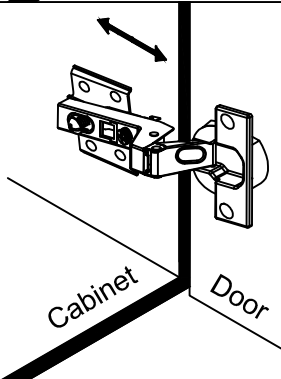
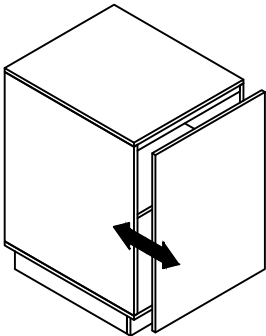
# STEP17

---



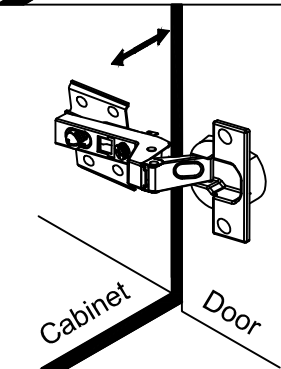
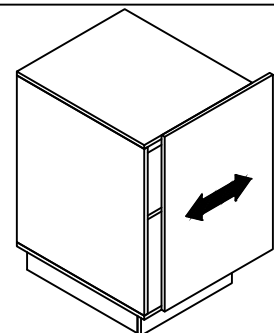
## To adjust the vertical height.

Loosen the four screws "A" on both hinges. Two of them are usually in slotted holes which allows you to adjust up or down by a few mm. Then tighten back up.



## To adjust depth.

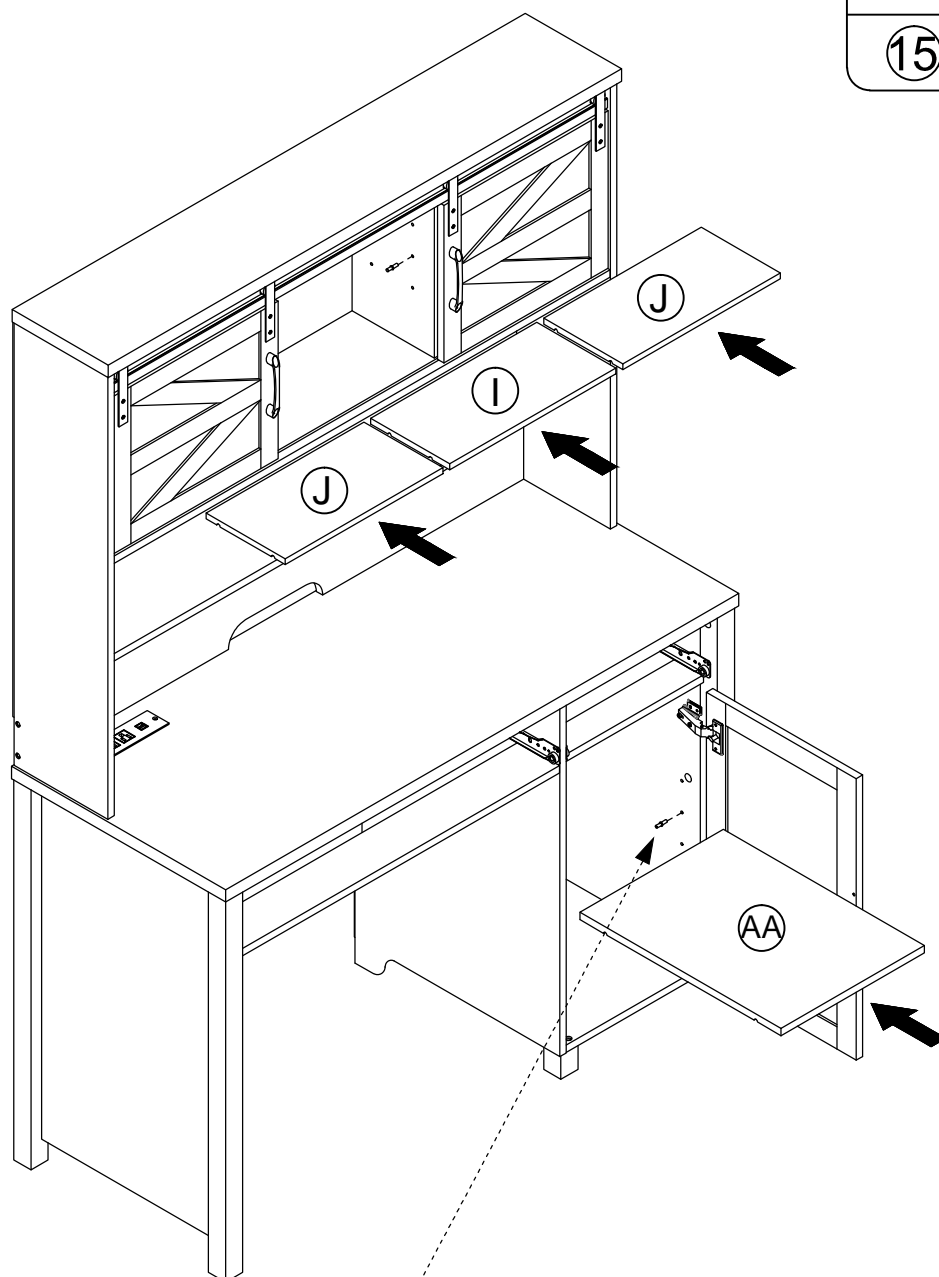
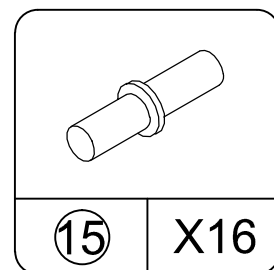
Loosen screw "B" and adjust door, if the door can not be adjusted, please loosen screw "C", then try again. Tighten screw "B" and "C".



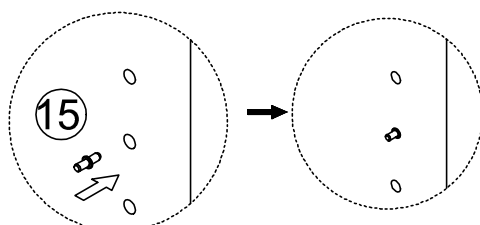
## To adjust side ways.

Turning the screw "C" on BOTH hinges on each door.

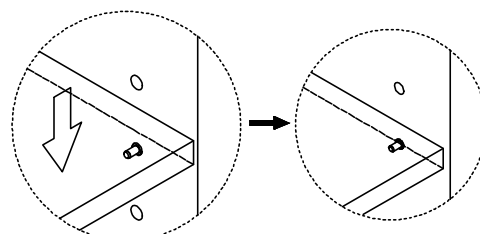
# STEP18



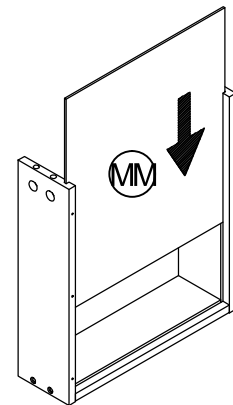
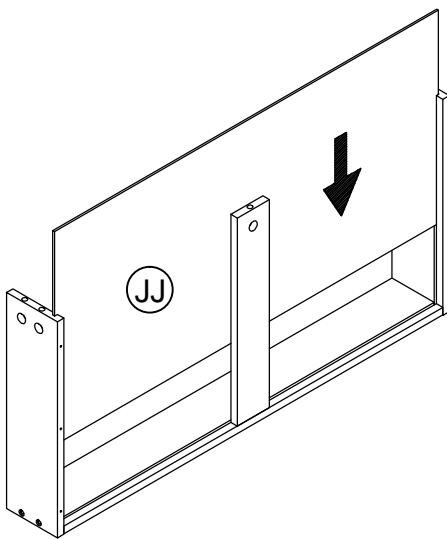
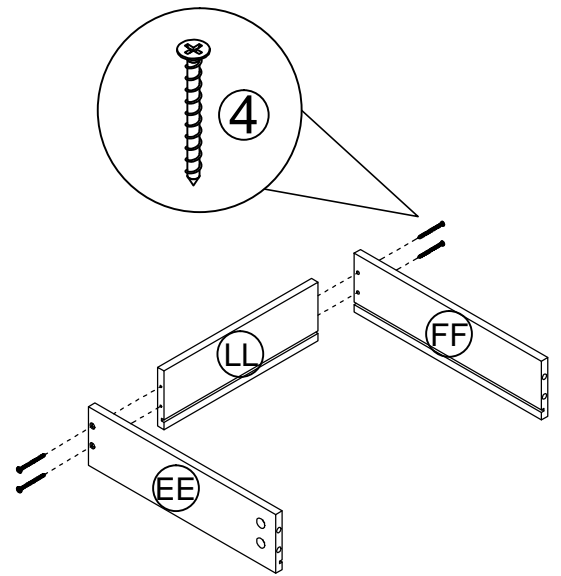
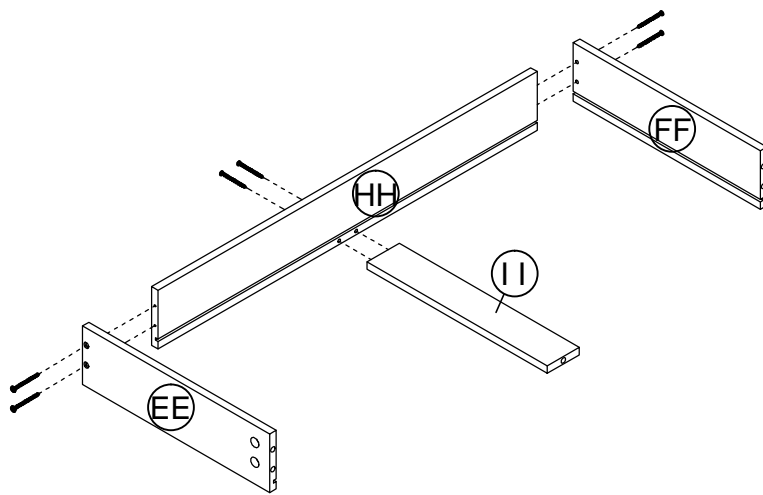
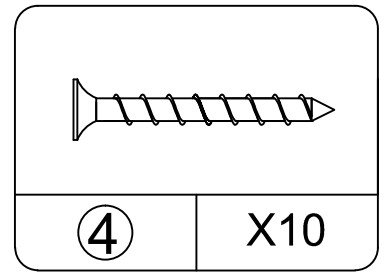
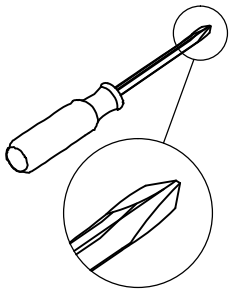
**Step 1**  
Select the desired height  
and put it in



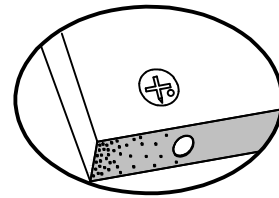
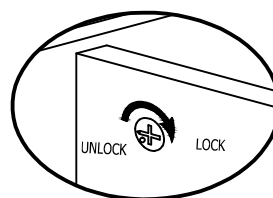
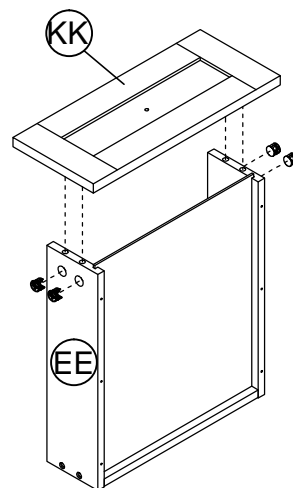
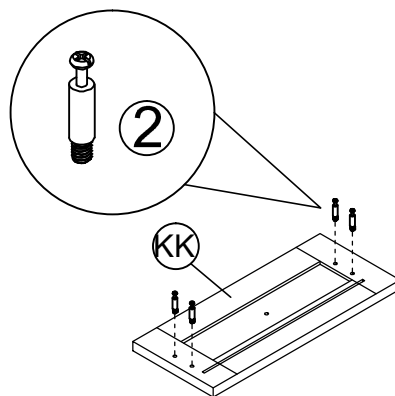
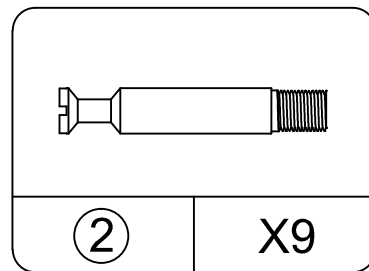
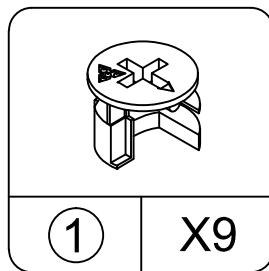
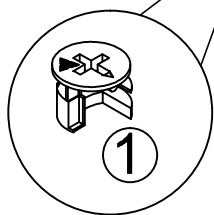
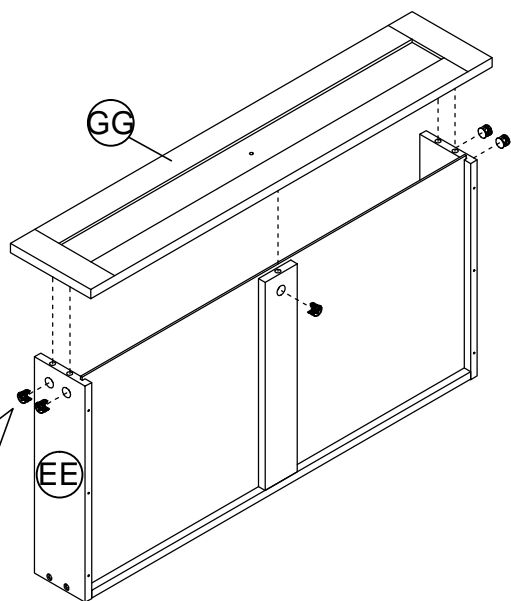
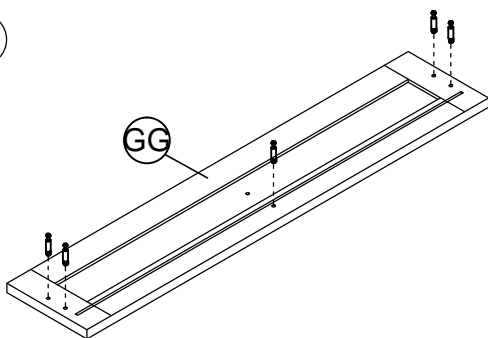
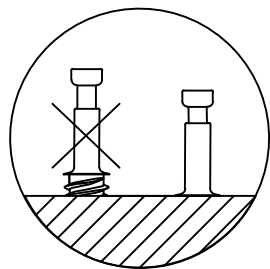
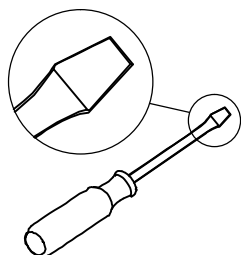
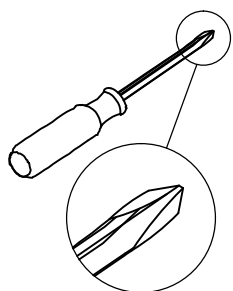
**Step 2**  
Aim the board gaps down



# STEP19

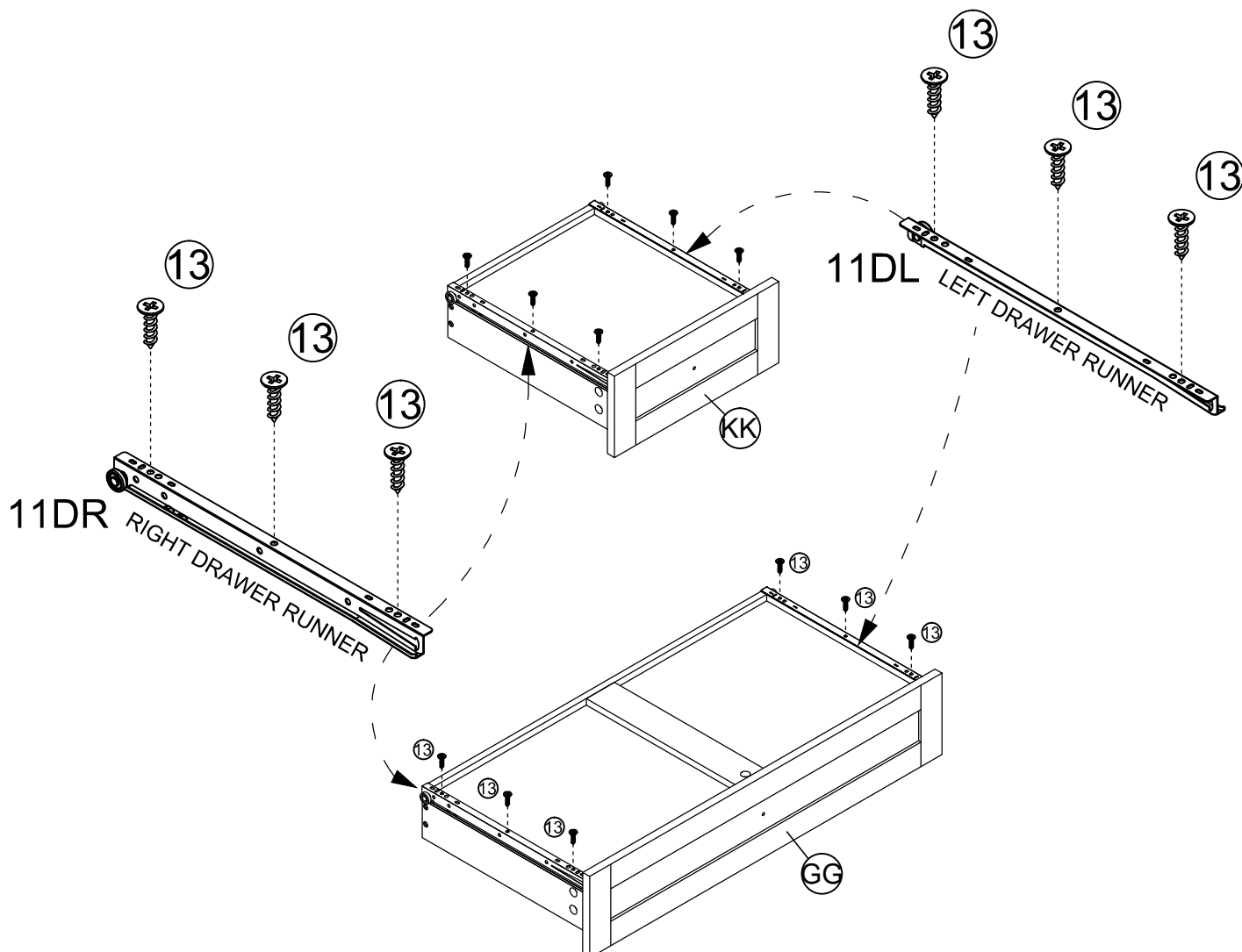
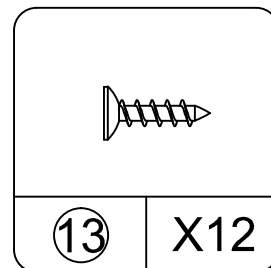
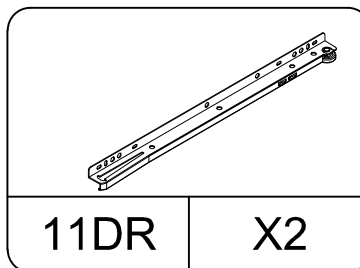
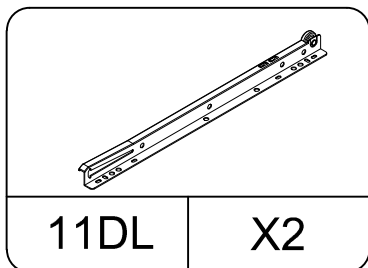
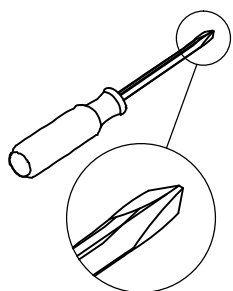


# STEP20

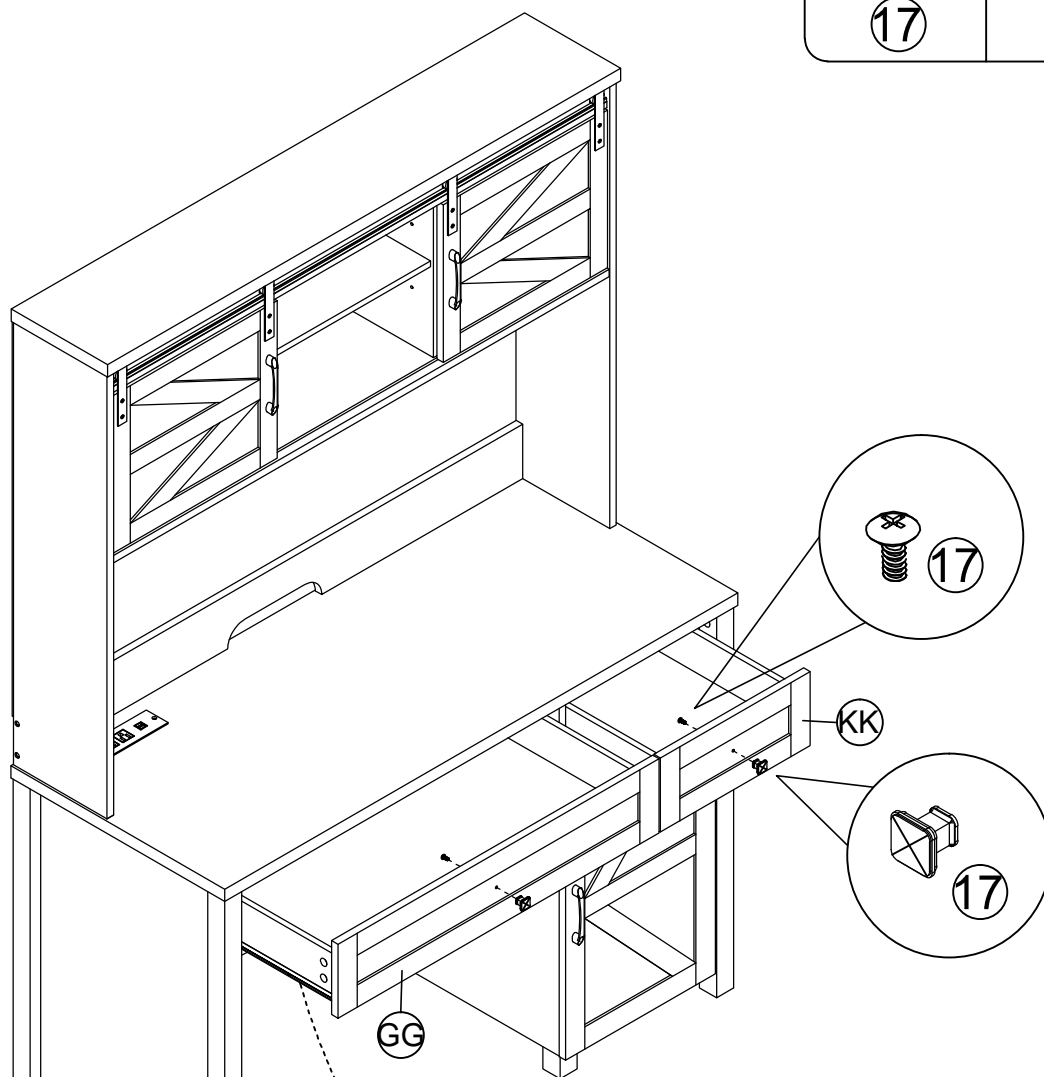
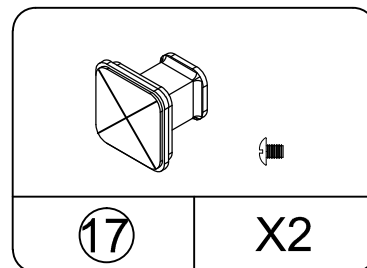
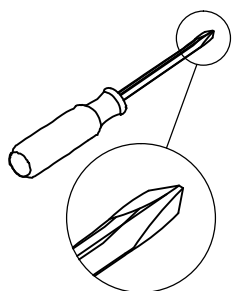


Proper orientation of CAM LOCK

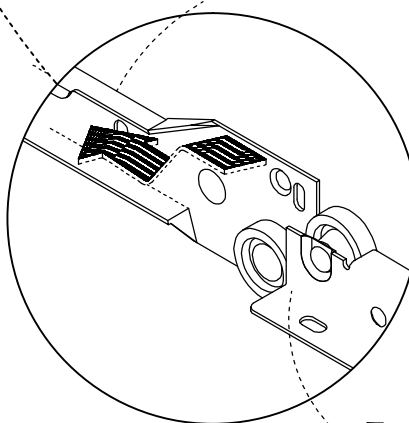
# STEP21



# STEP22



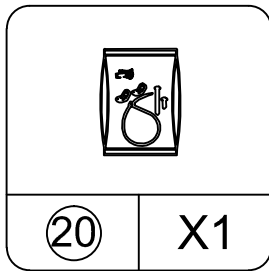
**Cabinet Slide**



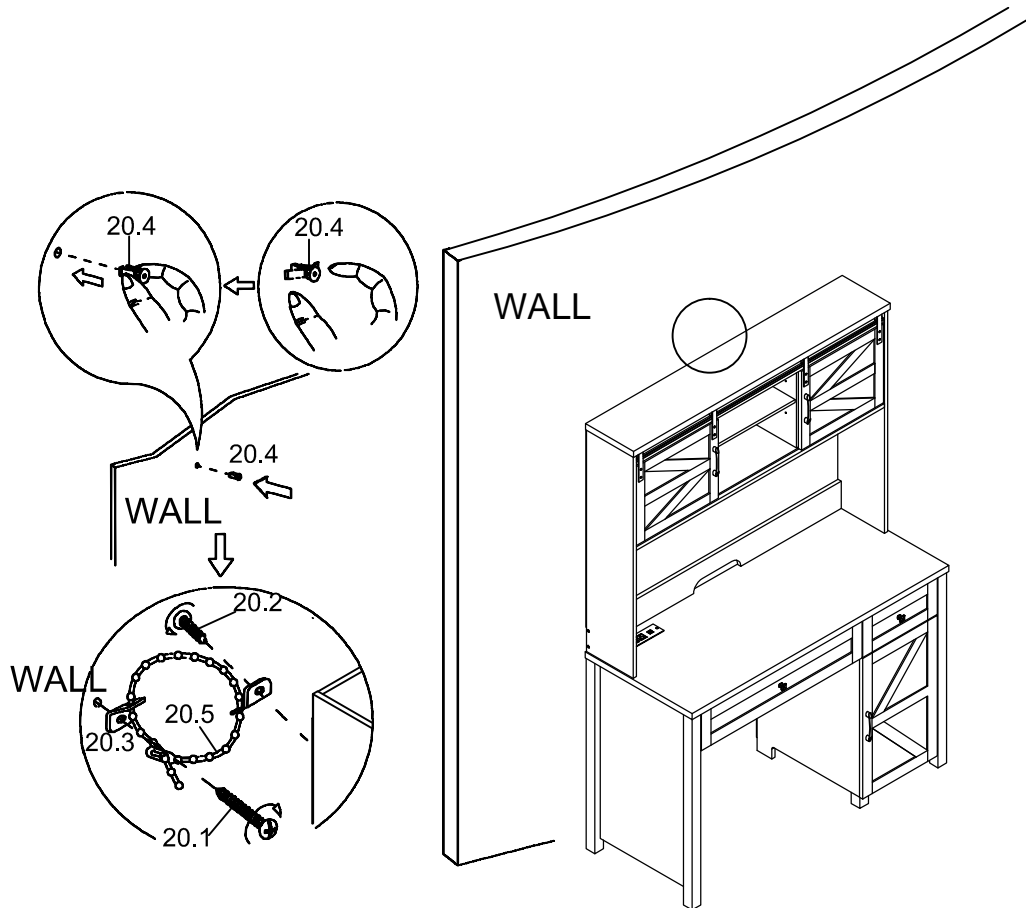
**Drawer Slide**



# STEP23



PART LIST	FIGURE	QUANTITY	DESCRIPTION
20.1		1PC	LONG SCREW (Dia.4mmX38mmL)
20.2		1PC	SHORT SCREW (Dia.4mmX19mmL)
20.3		2PC	METAL "L"BRACKET
20.4		1PC	PLASTIC ANCHOR
20.5		1PC	CABLE



Follow the instructions printed on the plastic bag containing the tipping restraint hardware to attach the tip-over restraints to the unit and the wall.

NOTE: The tipping restraint hardware included is for drywall construction. It will be necessary to drill holes for the wall anchors. Depending upon your wall construction, different anchor hardware may be required. Please contact your local hardware store for assistance.