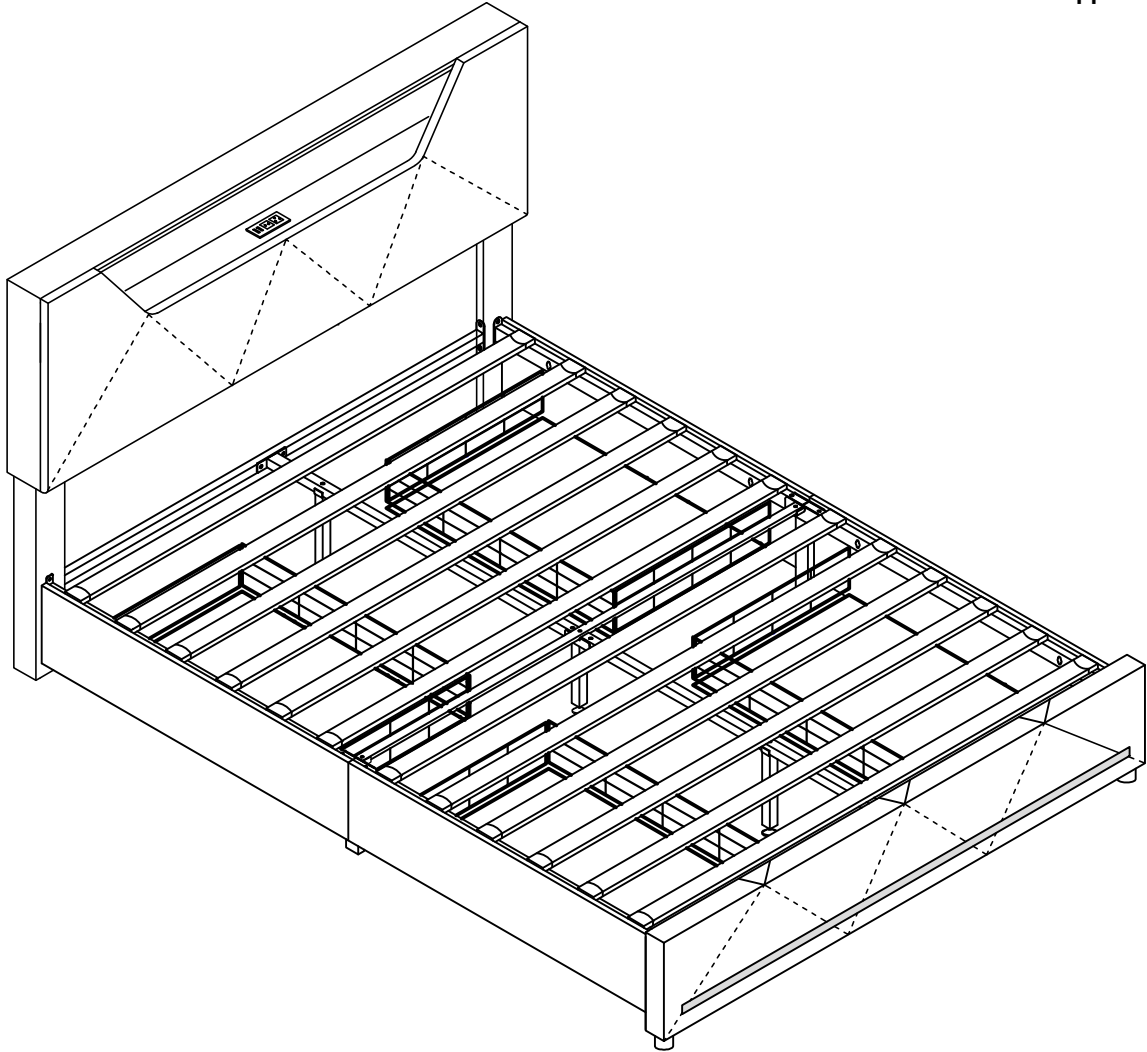




# J3L315



WhatsApp community ↑



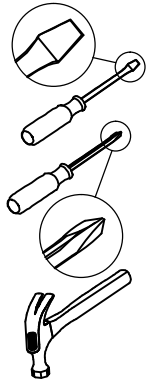
As this item contains many parts, please read the installation instruction carefully before installation . Please use tools properly and carefully. If you have any questions about the product and installation, please contact us.

**service@vabchesofficial.com**

Our professional after-sales team will serve you online all day.

---

# Before You Start



- ✓ Read through each step carefully and follow the proper order
- ✓ Separate and count all your parts and hardware
- ✓ Give yourself enough room for the assembly process
- ✓ Have the following tools: Flat Head Screwdriver, #2 Phillips Head Screwdriver
- ✓ Caution: If using a power drill or power screwdriver for screwing, please be aware of to slow down and stop when screw is tight. Failure to do so may result in stripping the screw.

# Helpful Hints

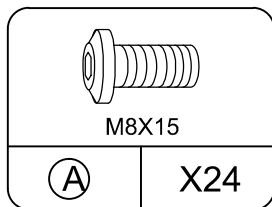
## PEOPLE NEEDED FOR ASSEMBLY: 1-2

---

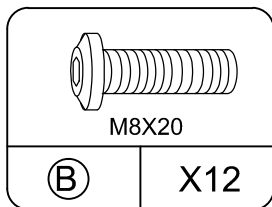
- Open your item in the area you plan to keep it to avoid excessive heavy lifting.
- Identify, sort and count the parts before attempting assembly.
- Do NOT use harsh chemicals or abrasive cleaners on this item.
- Never push, pull, or drag your furniture.



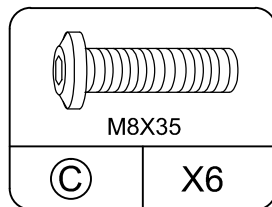
# Part List



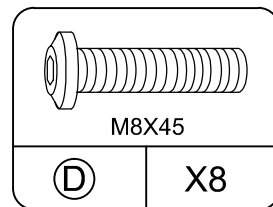
BOLT  
spare:2



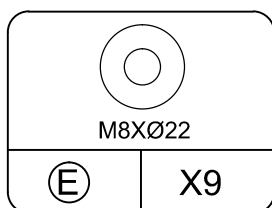
BOLT  
spare:2



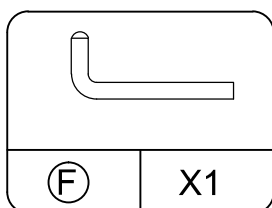
BOLT  
spare:2



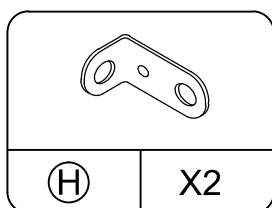
BOLT  
spare:1



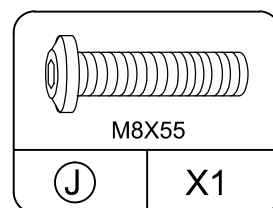
GASKET  
spare:1



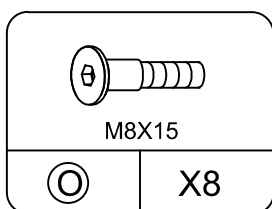
SPANNER



Ⓕ X2 |

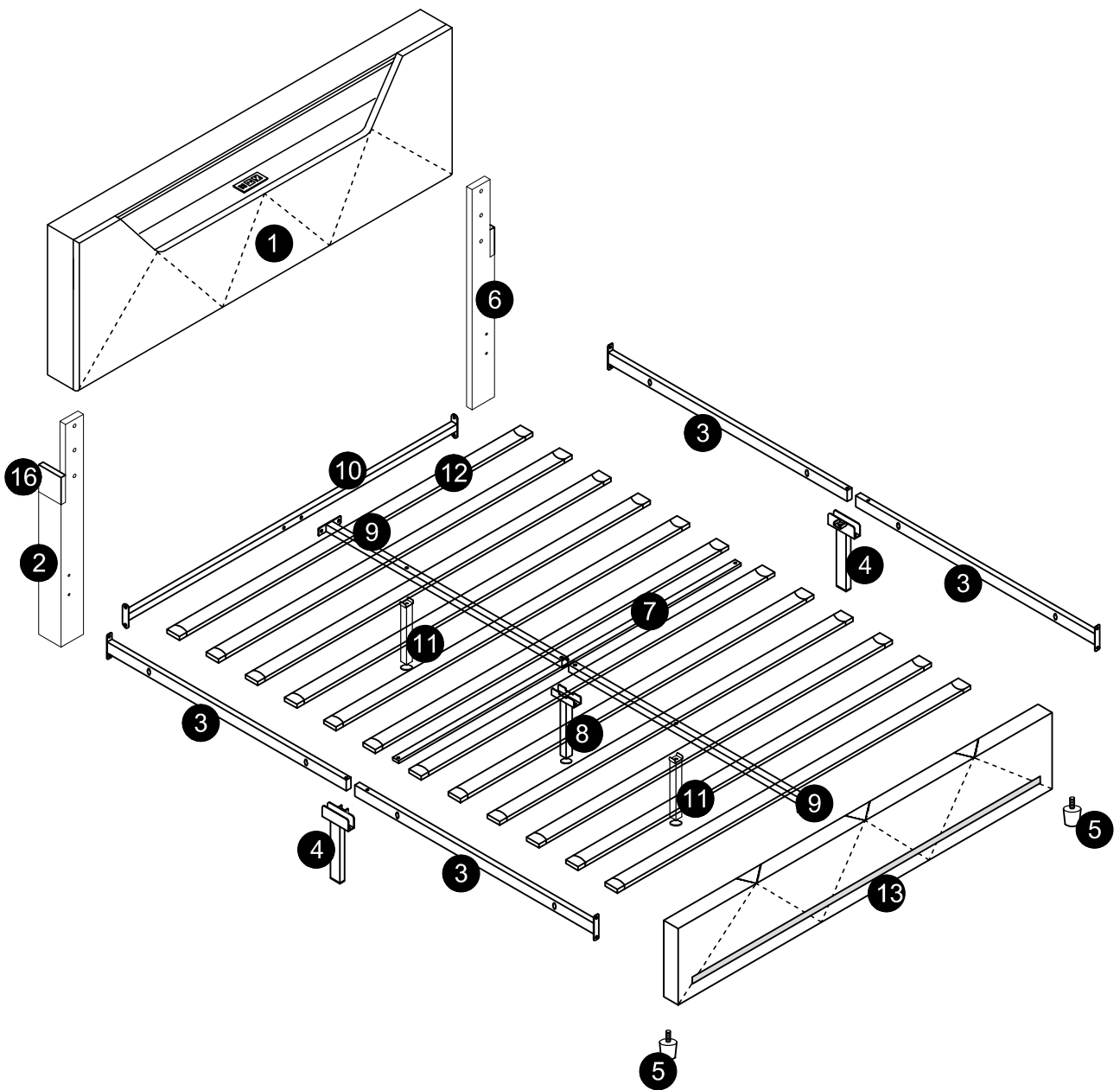


BOLT  
spare:1

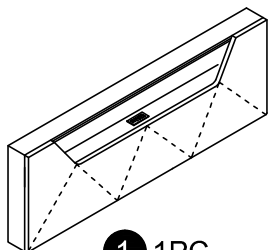


BOLT  
spare:2

# Product explosion diagram



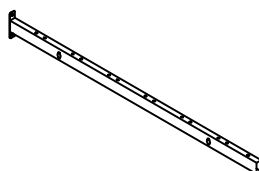
# Part List



1 1PC



2 1PC



3 4PCS



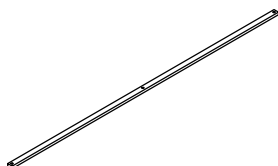
4 2PCS



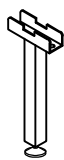
5 2PCS



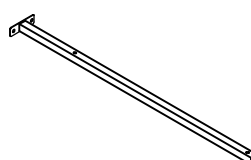
6 1PC



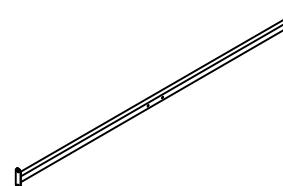
7 1PC



8 1PC



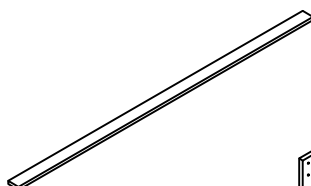
9 2PCS



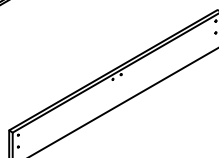
10 1PC



11 2PCS



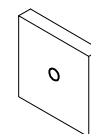
12 12PCS



13 1PC

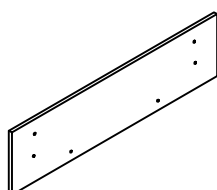


14 4PCS



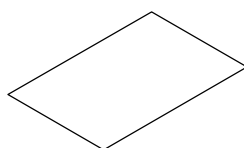
Wooden block

16 2PCS



Drawer board

17 4PCS



18 4PCS

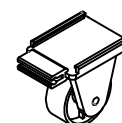


Iron buckle

19 16PCS



21 26PCS



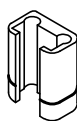
Pulley

22 16PCS



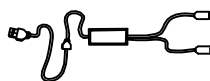
Plastic buckle

23 8PCS



Plastic buckle

24 8PCS



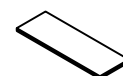
1PC  
Power cord

28



1PC  
Remote control

29



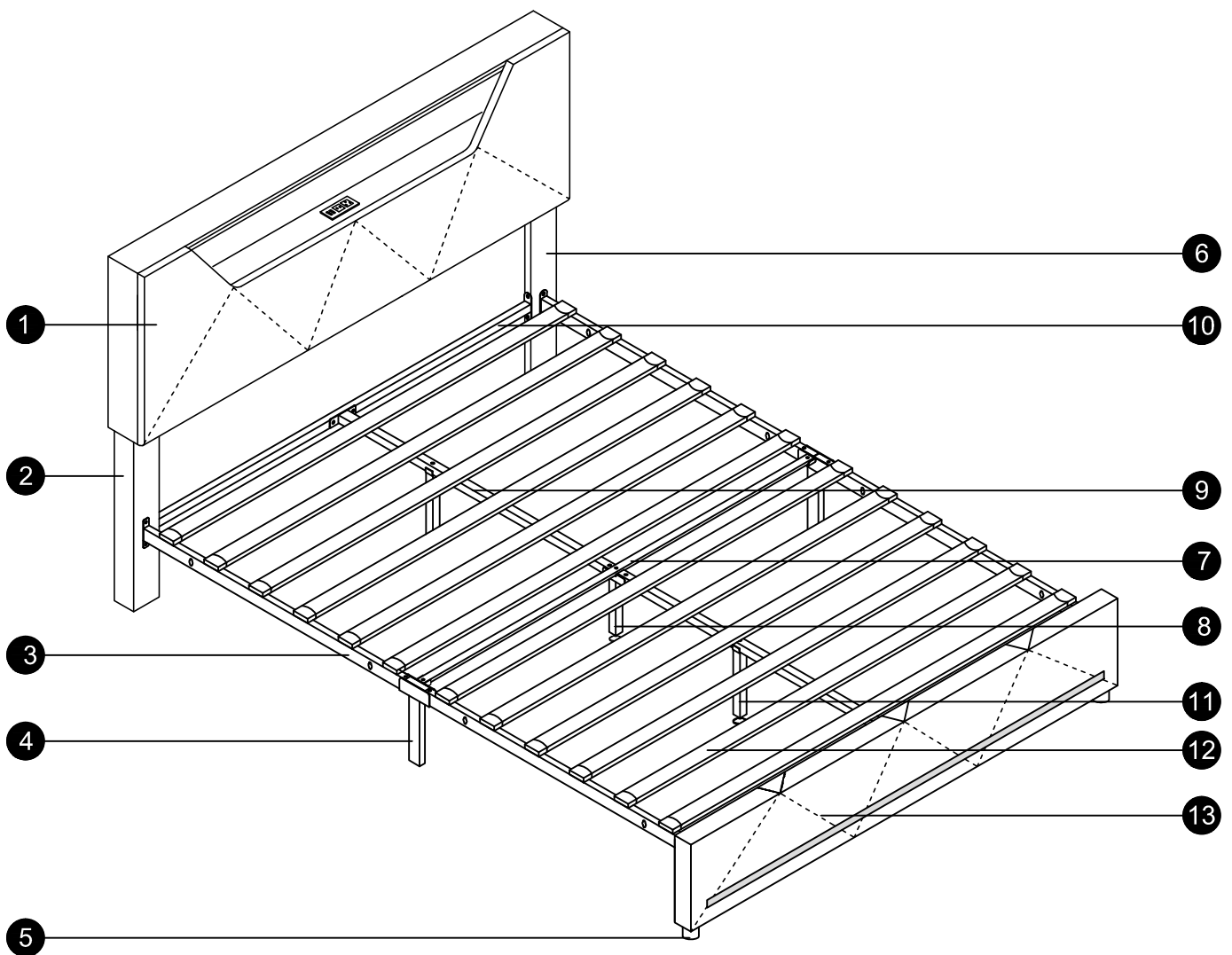
Strap magic tape

30 8PCS

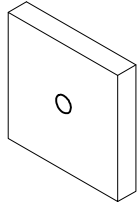
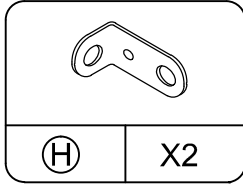
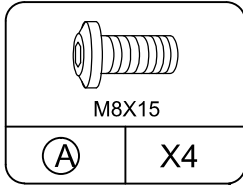
---

# Board Identification

Not actual size



# STEP 1

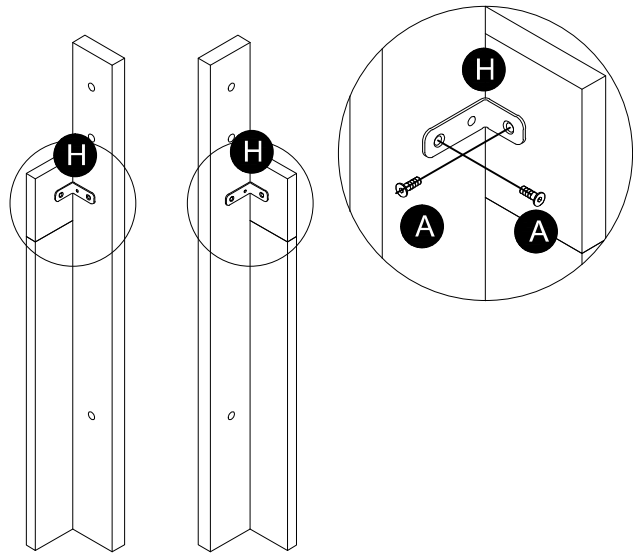
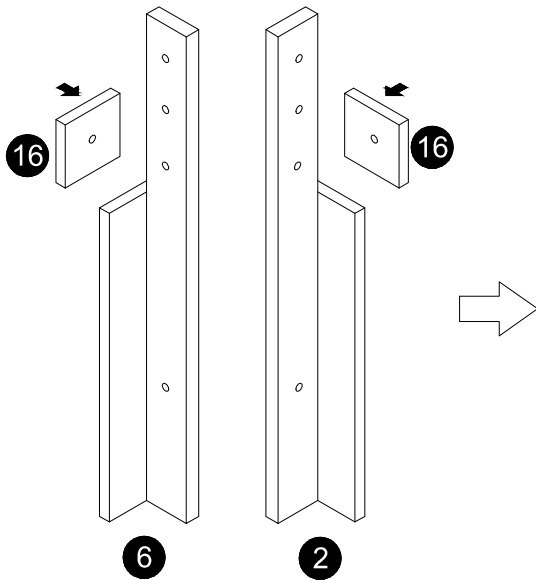
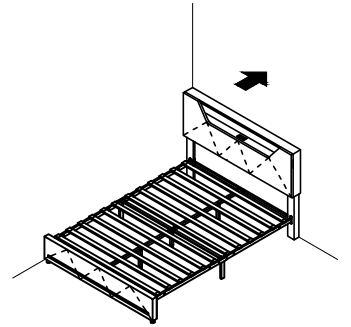


Wooden block

16 2PCS

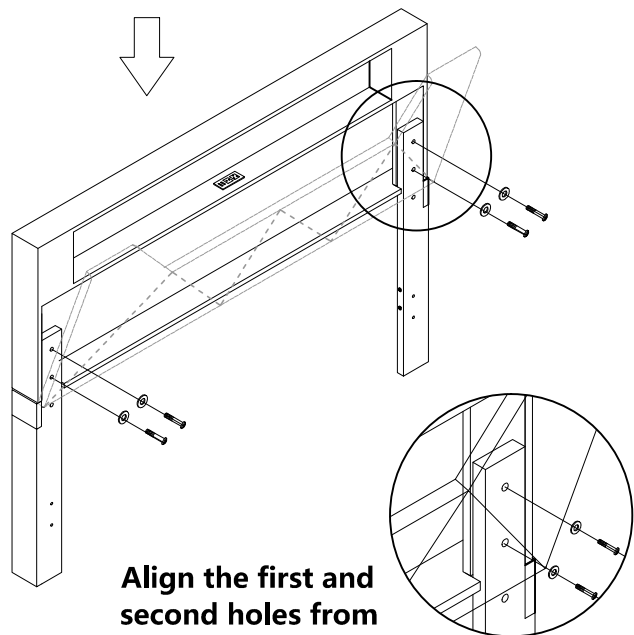


After assembling according to this page, the head of the bed should be placed as flat as possible



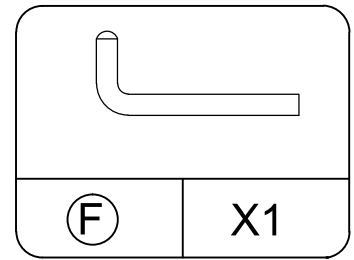
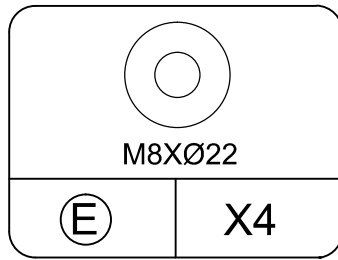
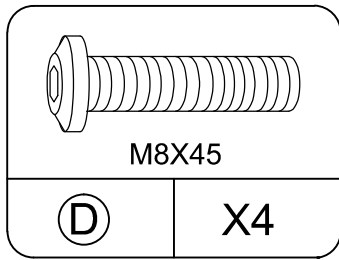
If you feel that the height of the head of the bed is not enough, please see the instructions on this page.

When you open the package, you will also see the following accessories, which are used to raise the height of the head of the bed during the assembly process.

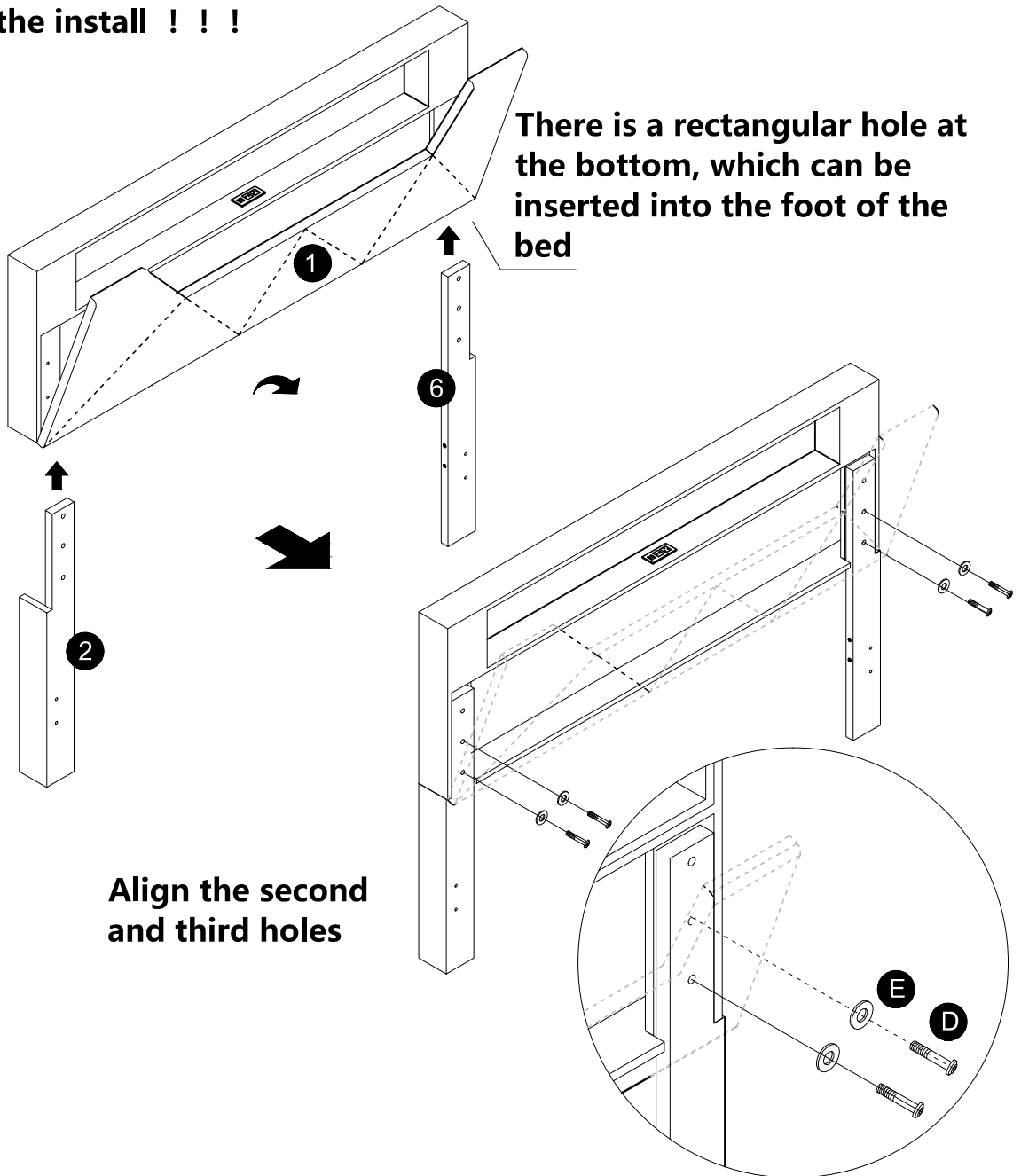


Align the first and second holes from the top down

# STEP 2



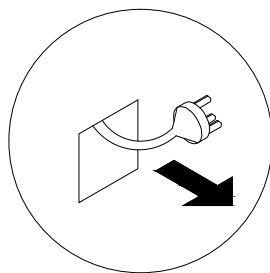
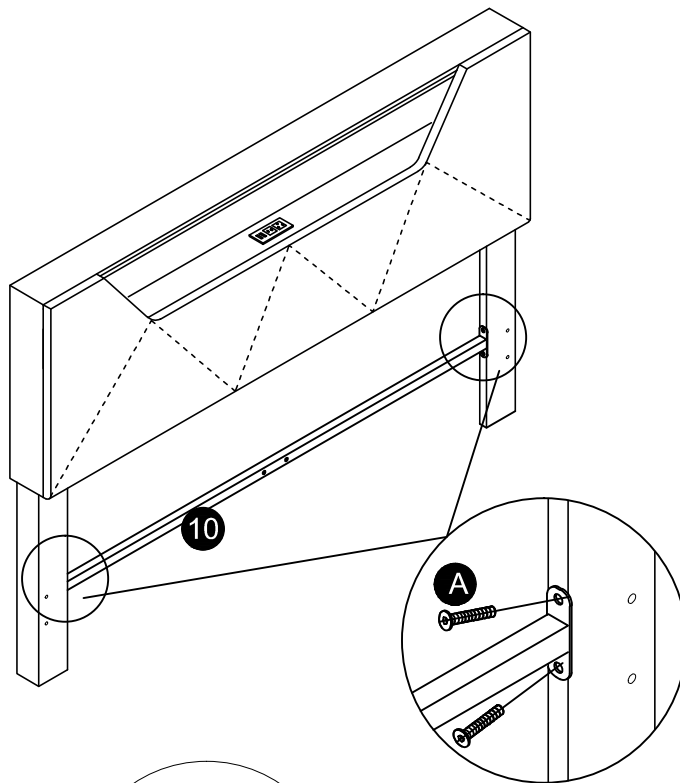
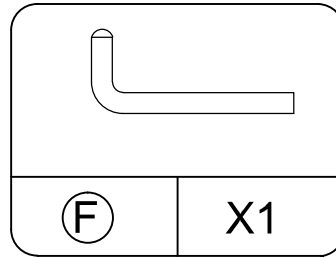
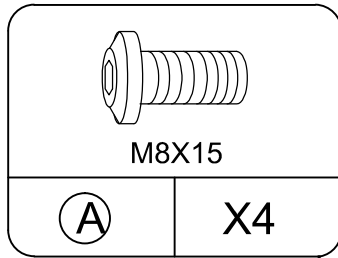
**Due to the heavy head of the bed, two or more people must participate in the install ! ! !**





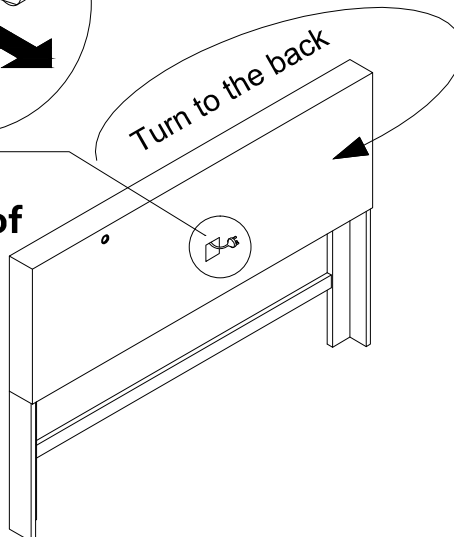
# STEP 3

---



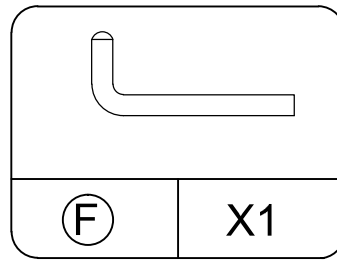
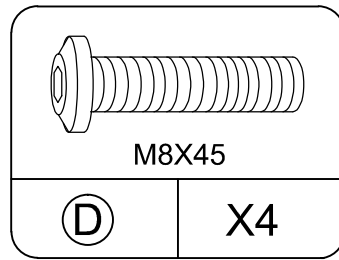
**Take the plug out of the plug hole here**

Turn to the back

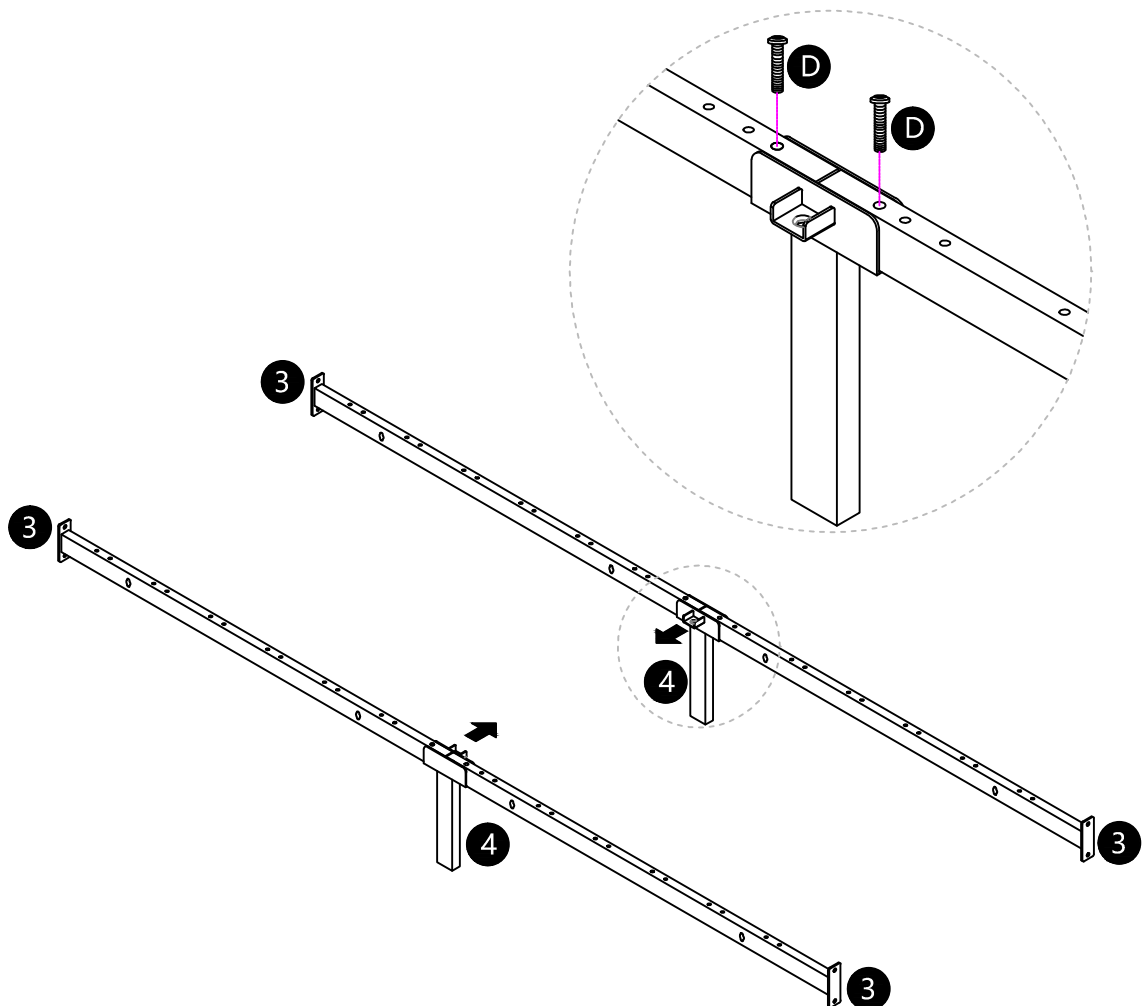


# STEP4

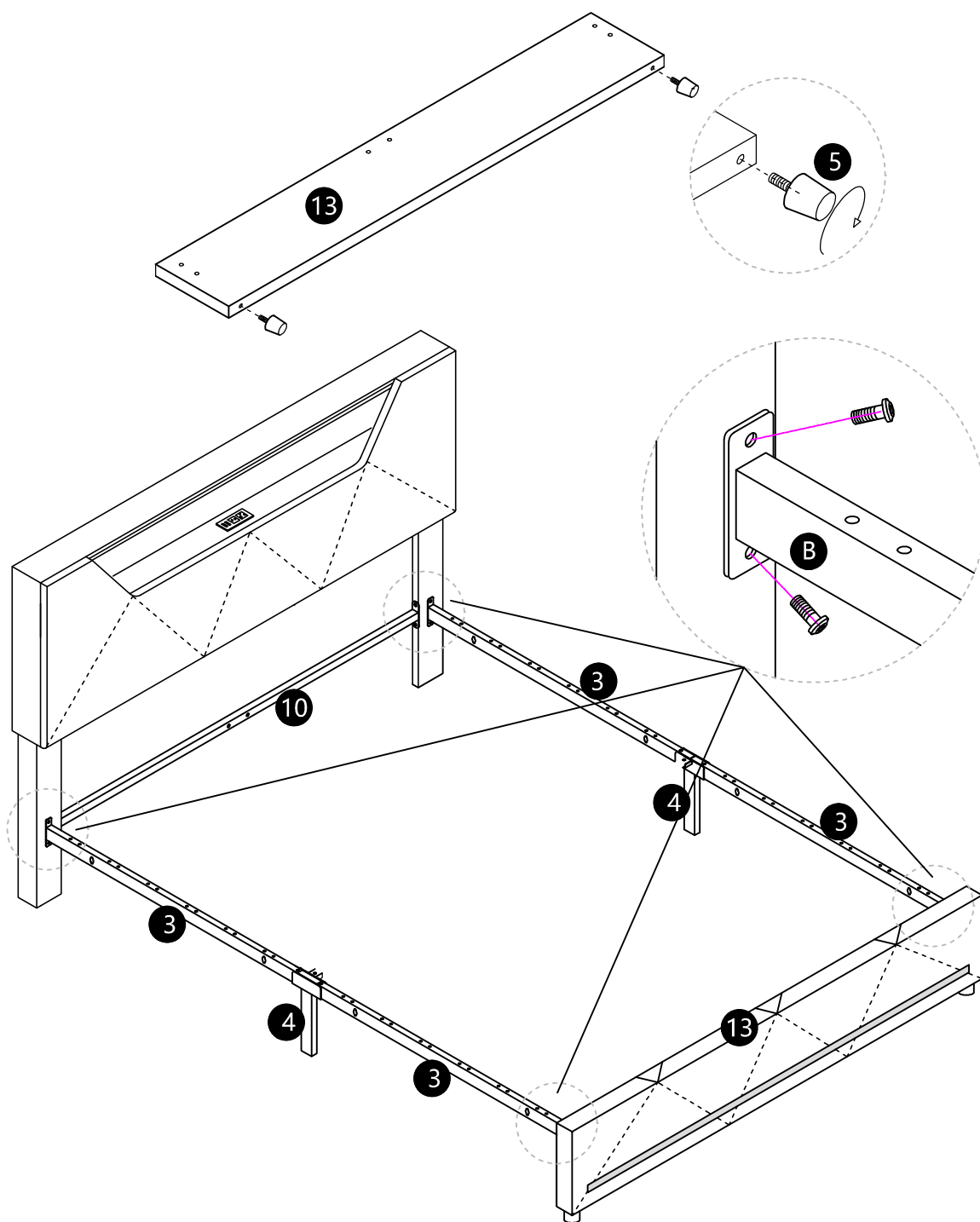
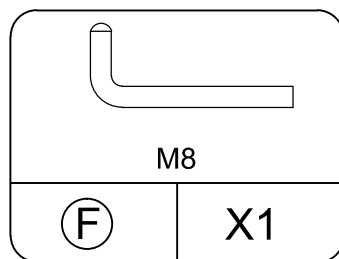
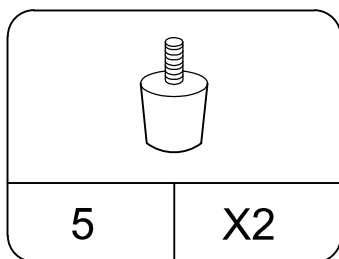
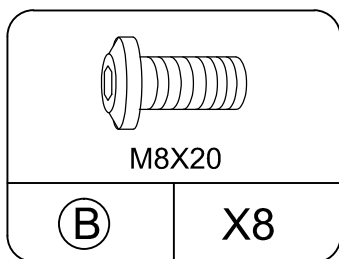
---



Four bed sides ( 3 )  
need to be installed, 2 sets in total

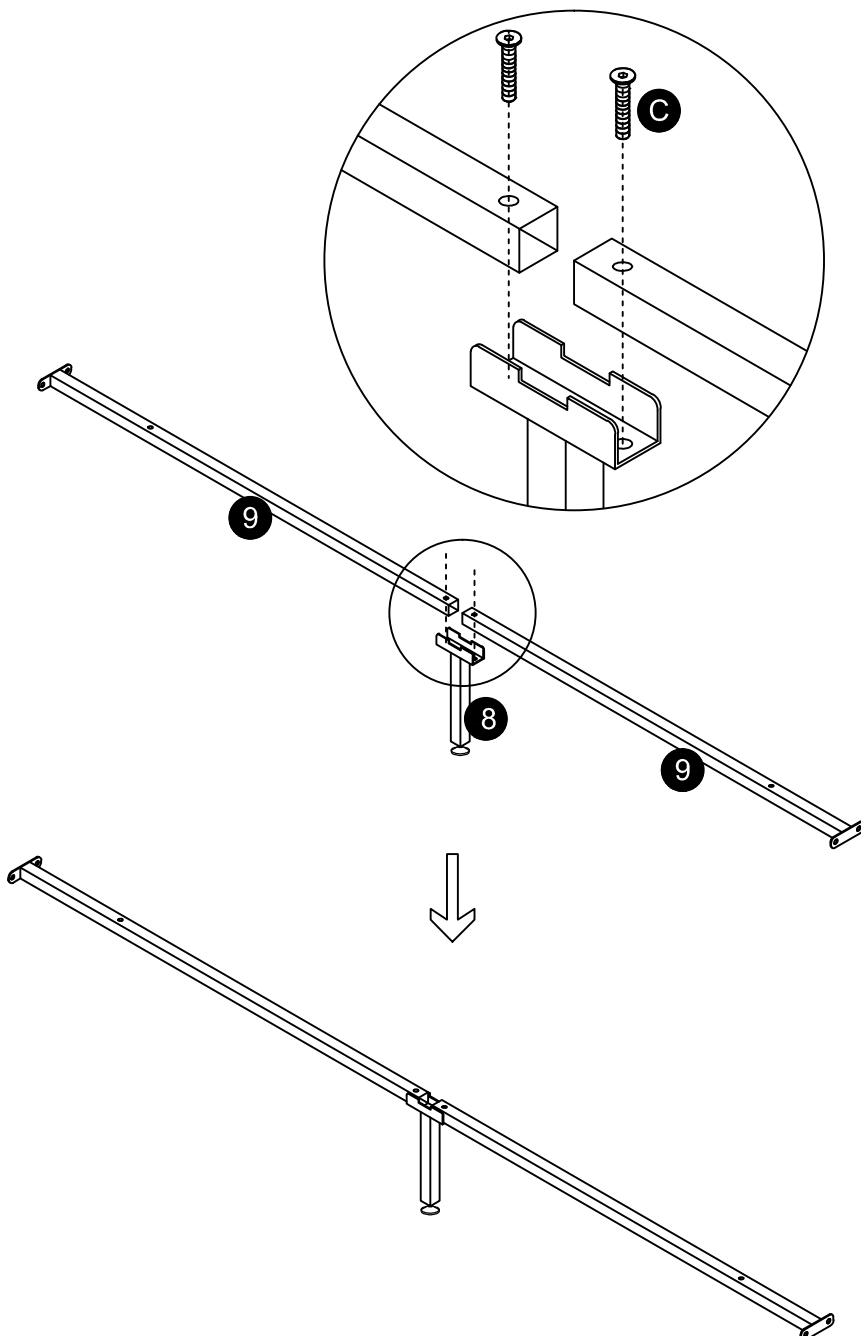
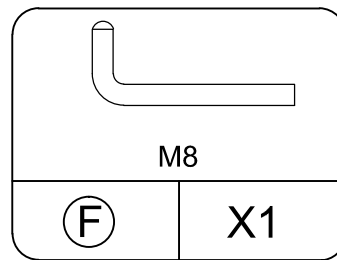
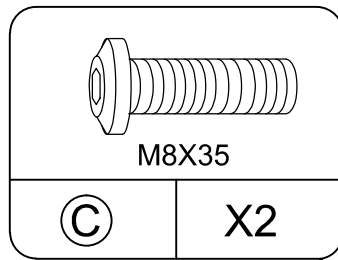


# STEP 5

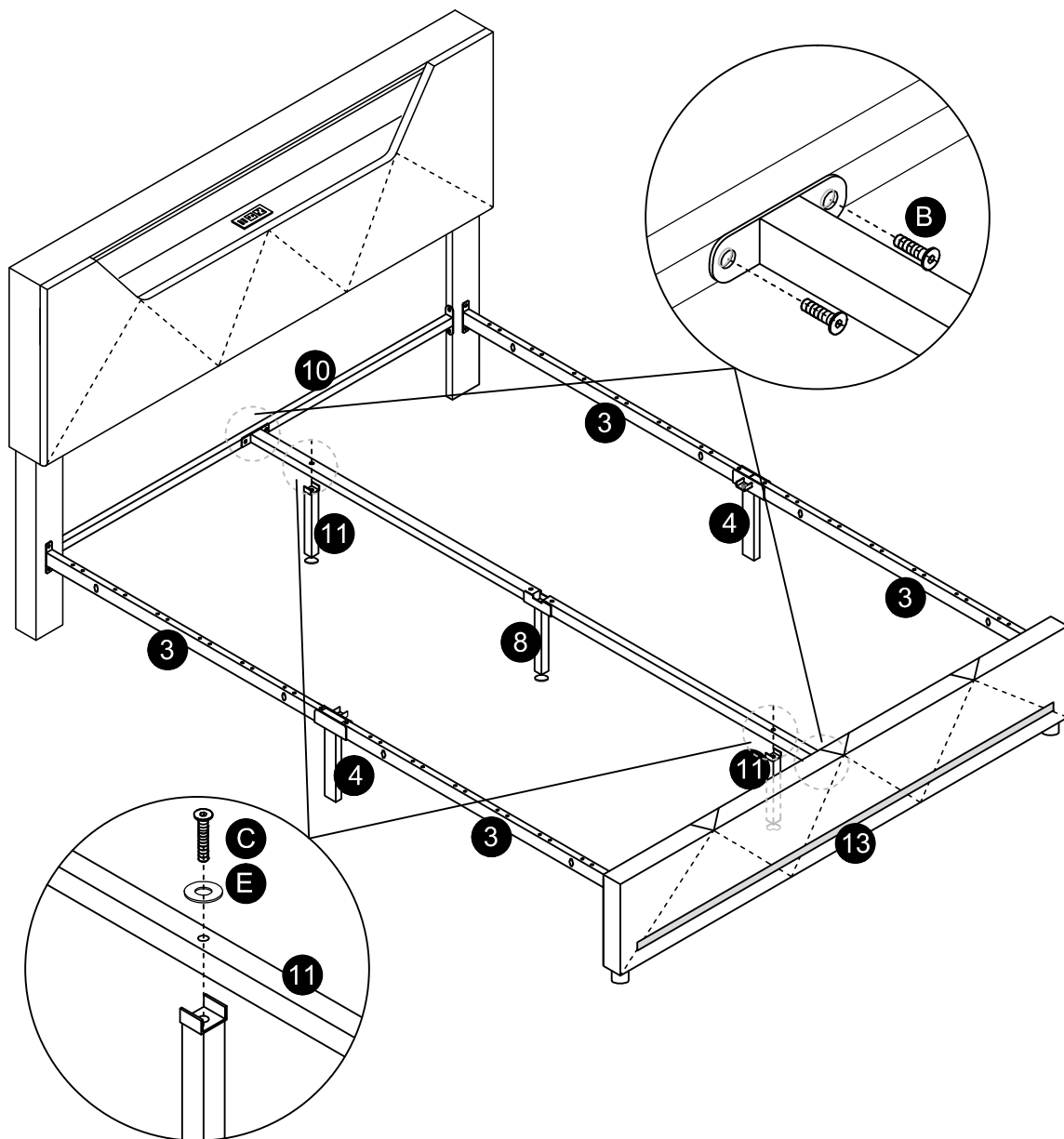
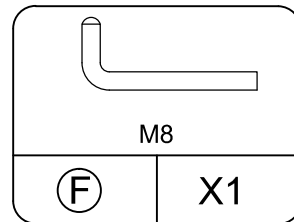
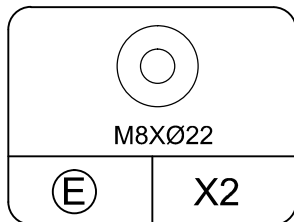
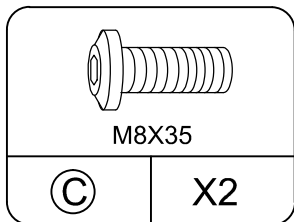
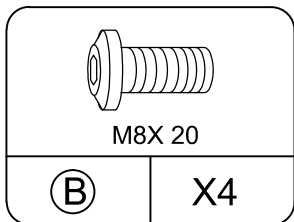


# STEP 6

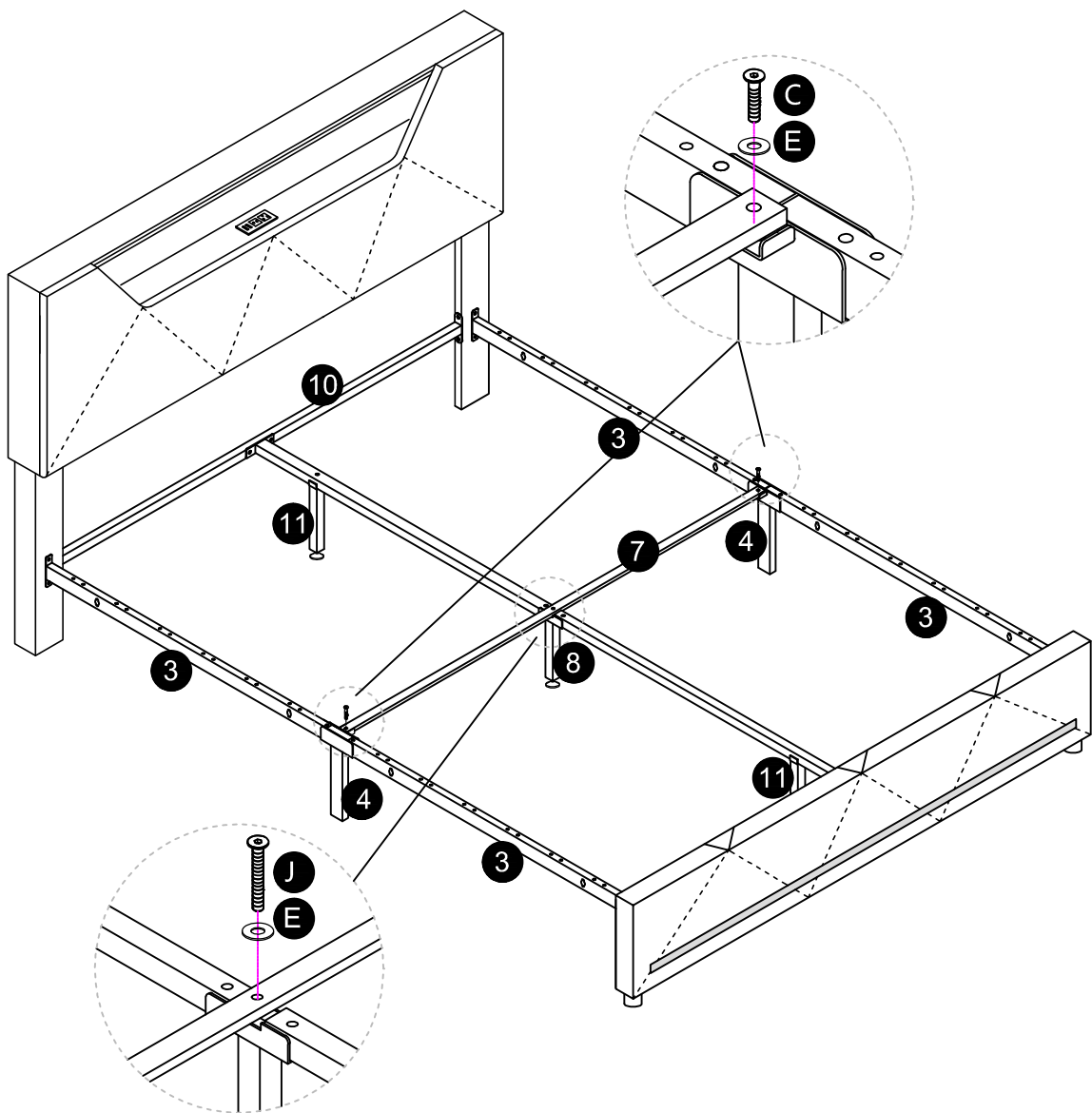
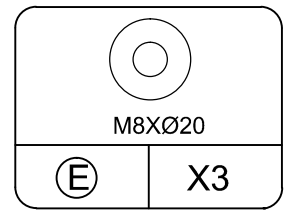
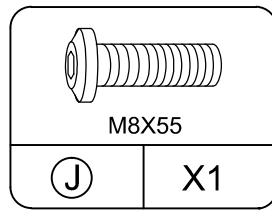
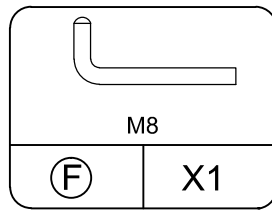
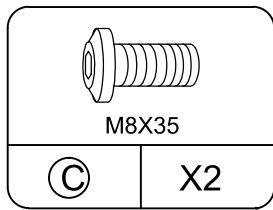
---



# STEP 7

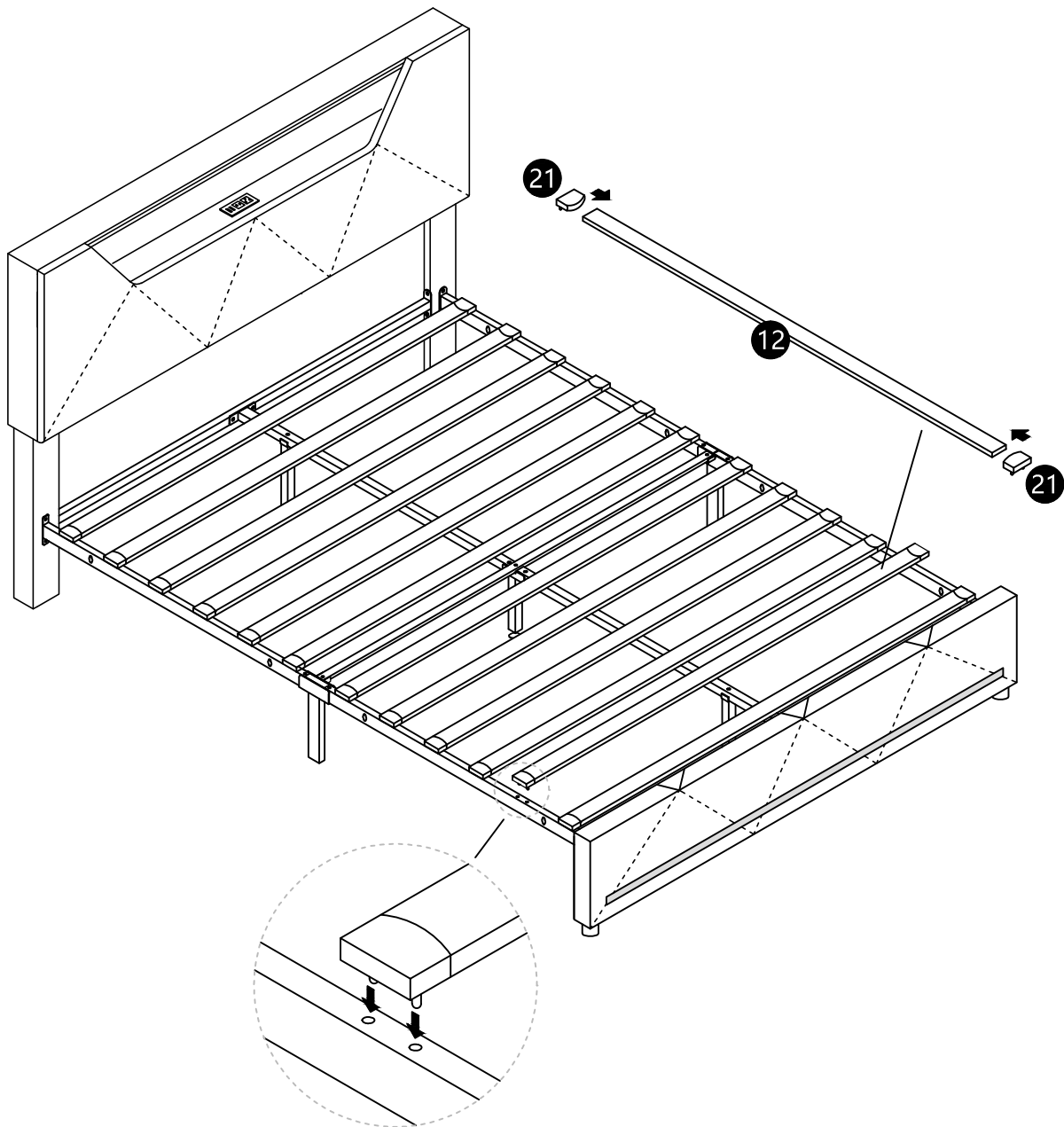
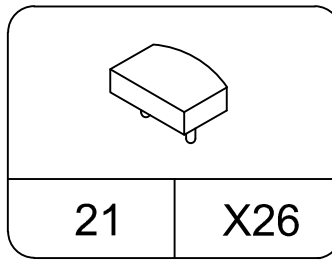


# STEP 8

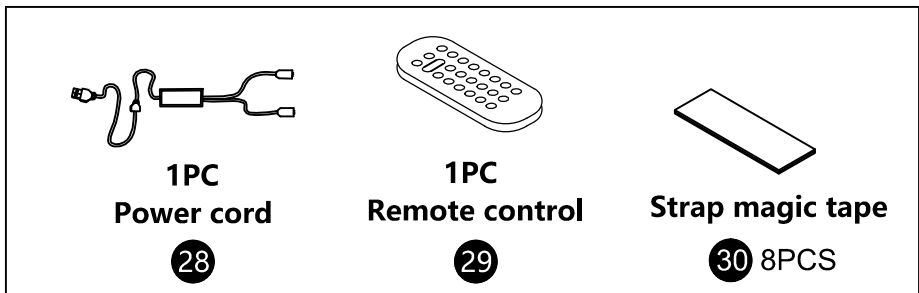


# STEP 9

---



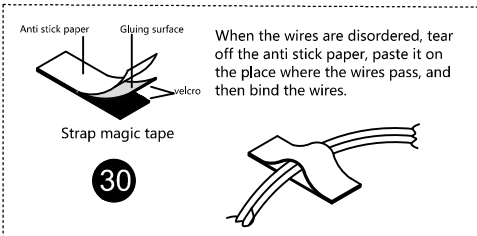
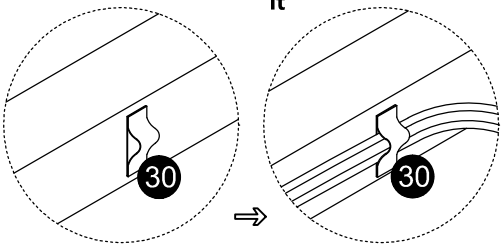
# STEP10



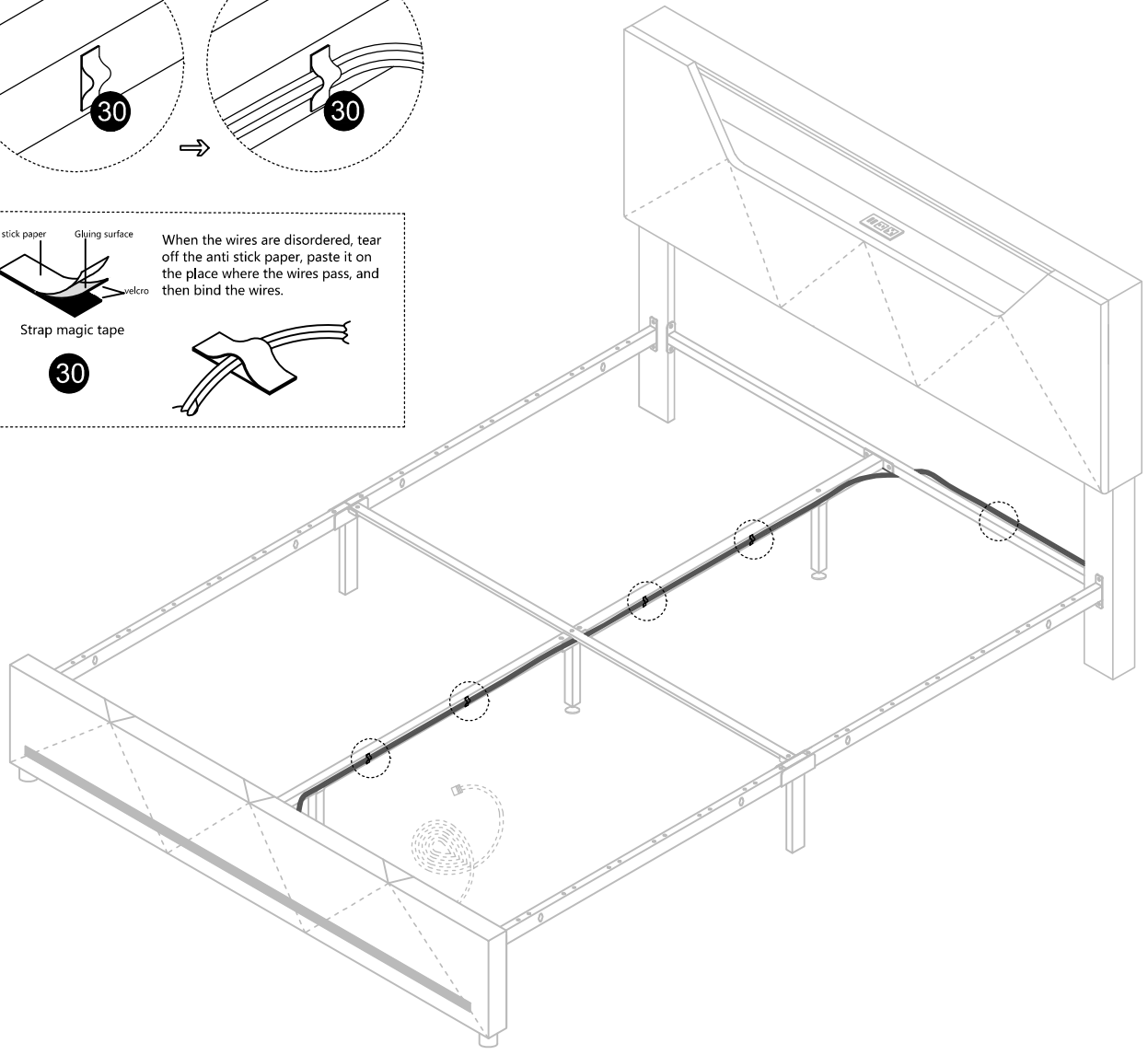
you can use the remote control to control the color

There is glue on the back of the Strap magic tape, tear off the anti-stick strip, you can paste

Put the four meter long wire along the wire buckle and fix it



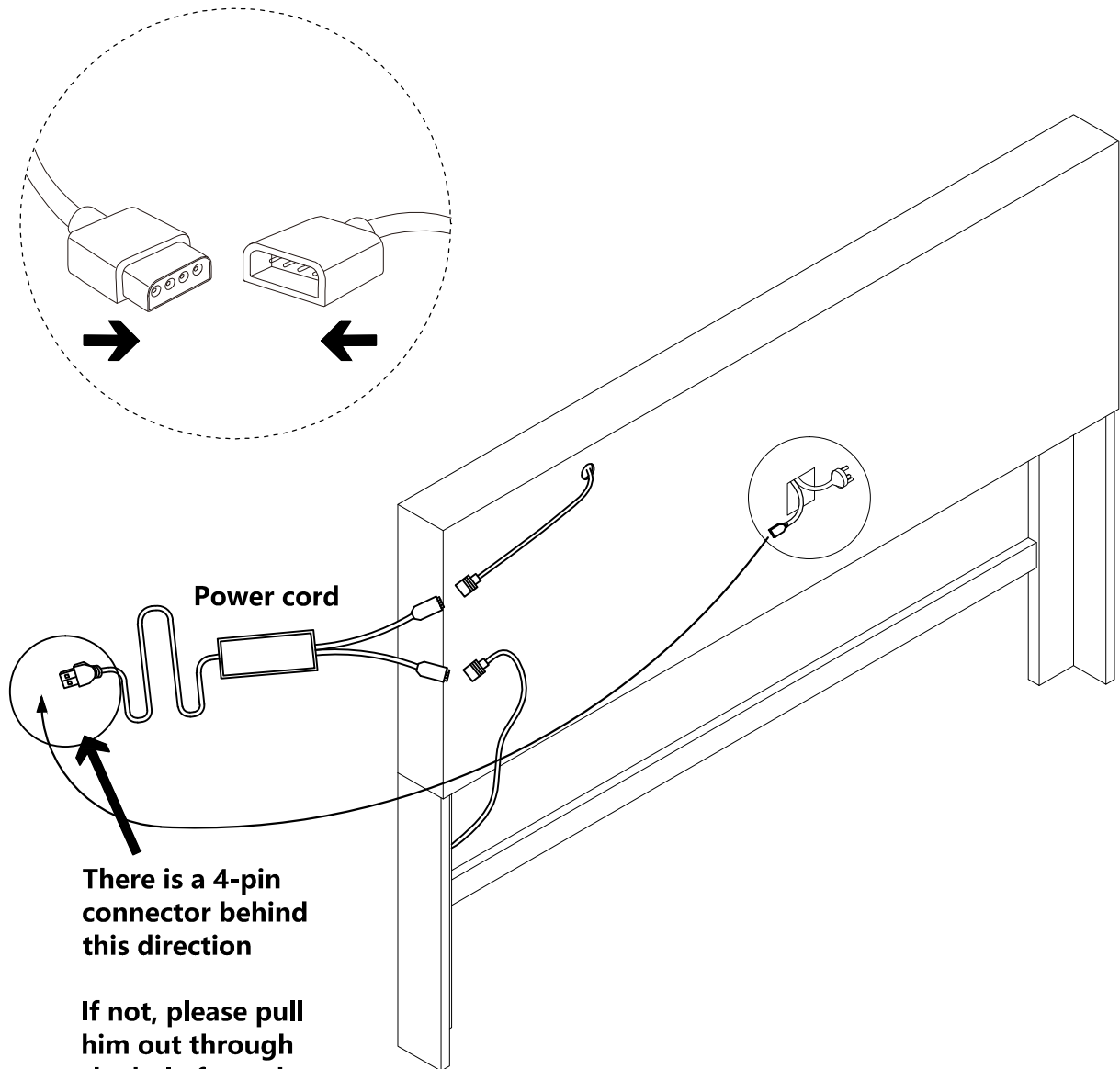
The LED lamp can only be used when it is powered on





# STEP11

---



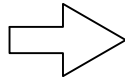
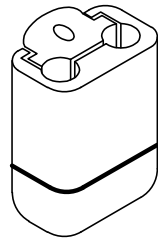
Power cord

There is a 4-pin  
connector behind  
this direction

If not, please pull  
him out through  
the hole from the  
front

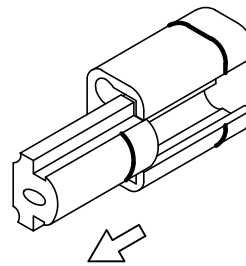
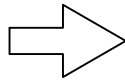
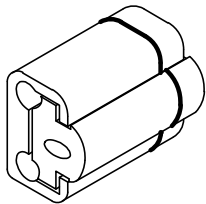
# STEP12

---

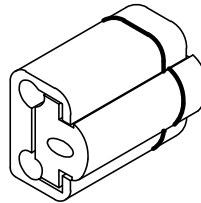
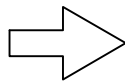
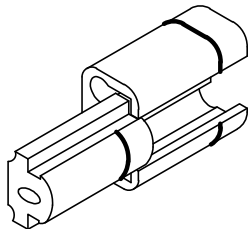


Remember this convex coil

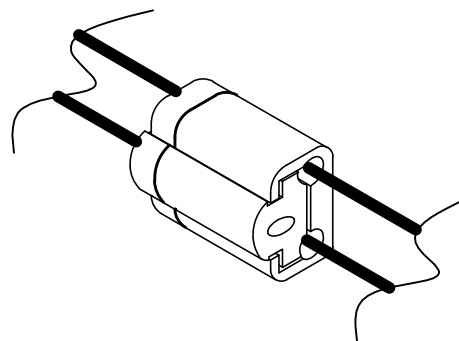
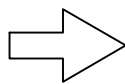
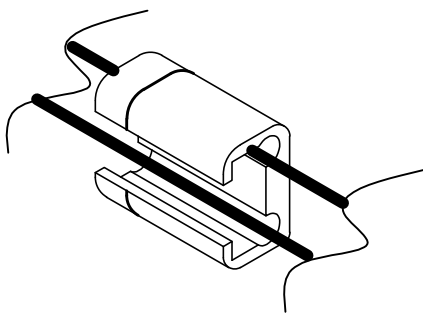
Reverse direction



You can pull the buckle out by following the direction indicated by the arrow



**So** This is the only direction that can be locked

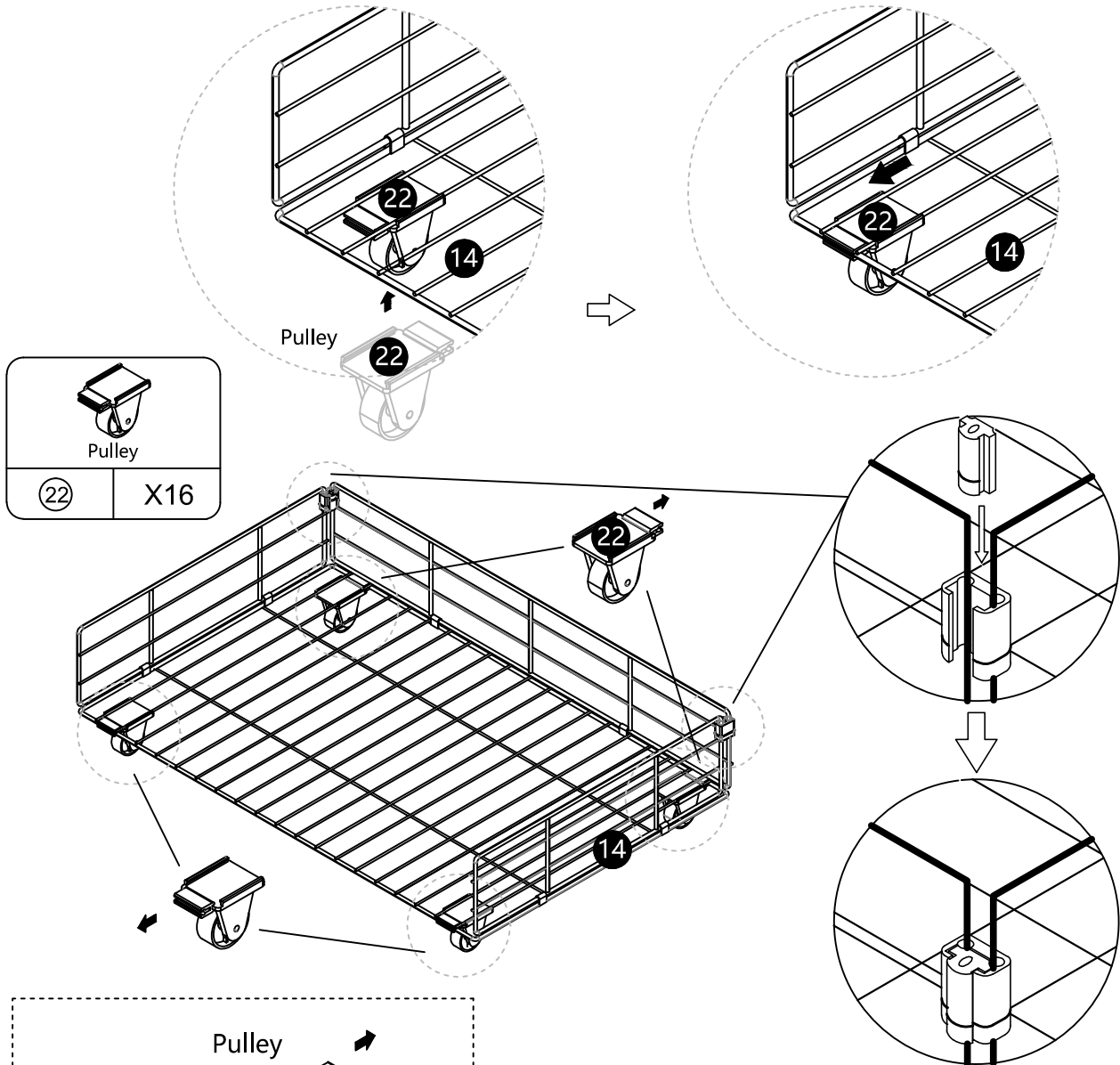


Place round iron tube as shown for better drawer assembly

# STEP13

As shown in the figure Clip the pulley into position first

Then push the pulley to the side  
At the same time, clamp the iron wire at the edge. It takes a little strength



**Pulley**

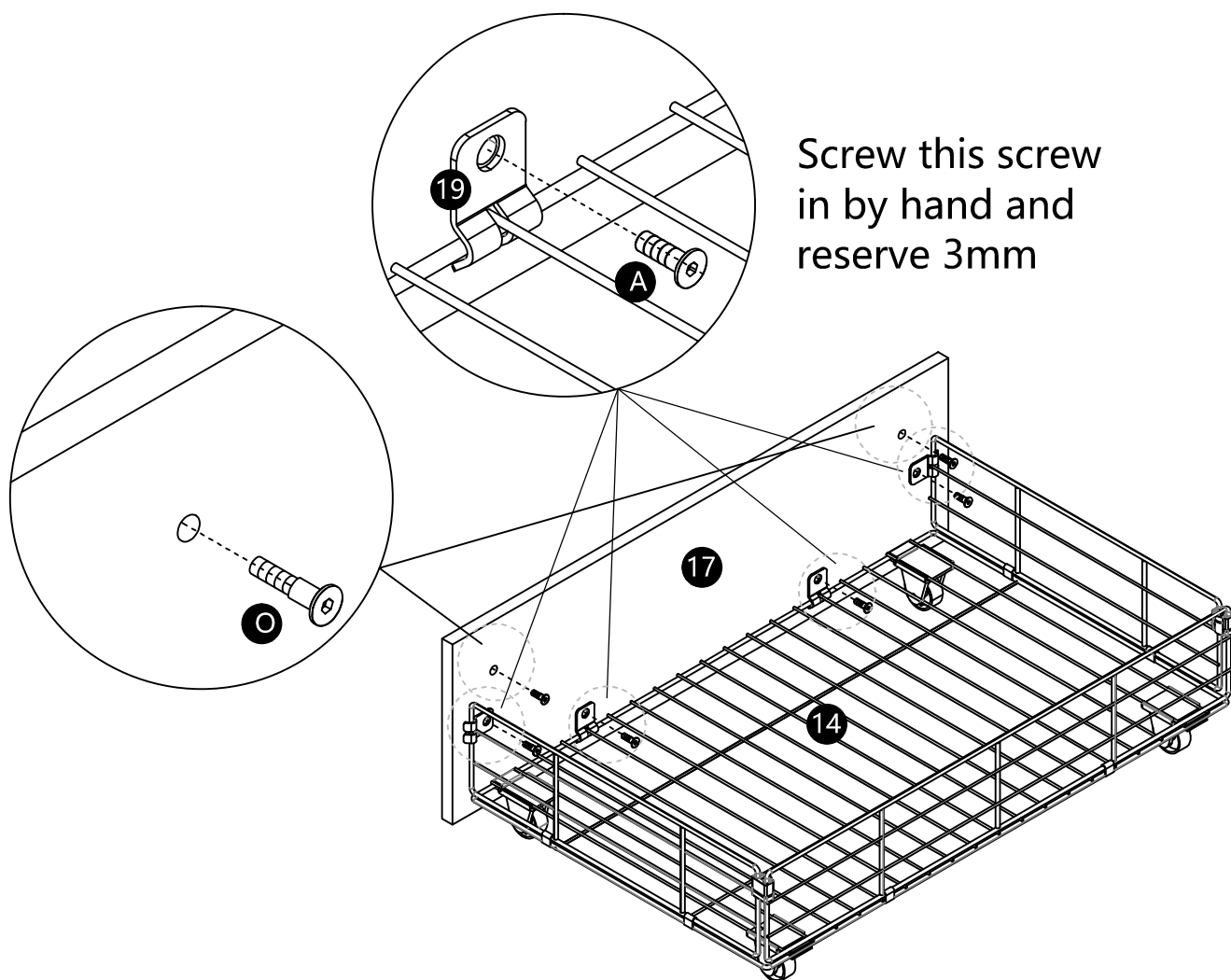
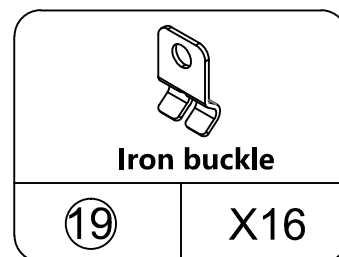
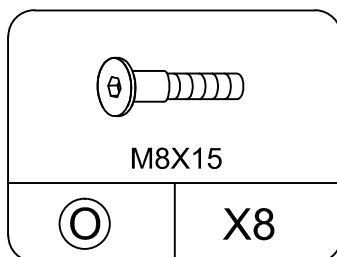
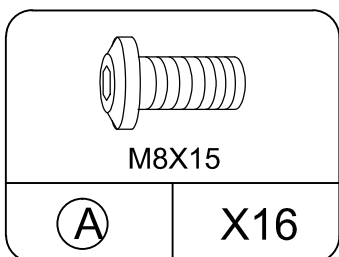
**Pay attention to the orientation before clamping in**

**Please note that this drawer base (14) has front and back sides! Please see the instructions clearly before assembling!!!**

Plastic buckle  
23 X8

Plastic buckle  
24 X8

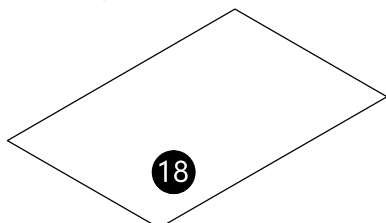
# STEP14



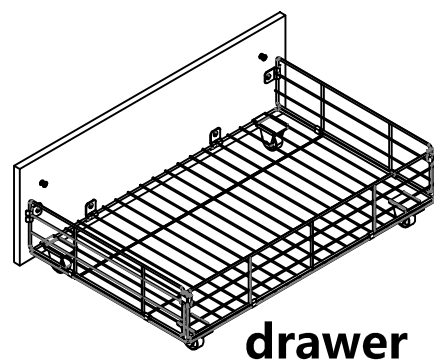
Assemble the other three drawers in this way. 4 drawers in total.

# STEP15

You must put the drawer pad (18) in the drawer



Put it in



drawer

**When pushing into the drawer, Lift the drawer gently, Align the screw with the gourd hole and push in**  
**When pulling out the drawer, Lift the drawer gently, Align the screw with the gourd hole, and then pull it out**

