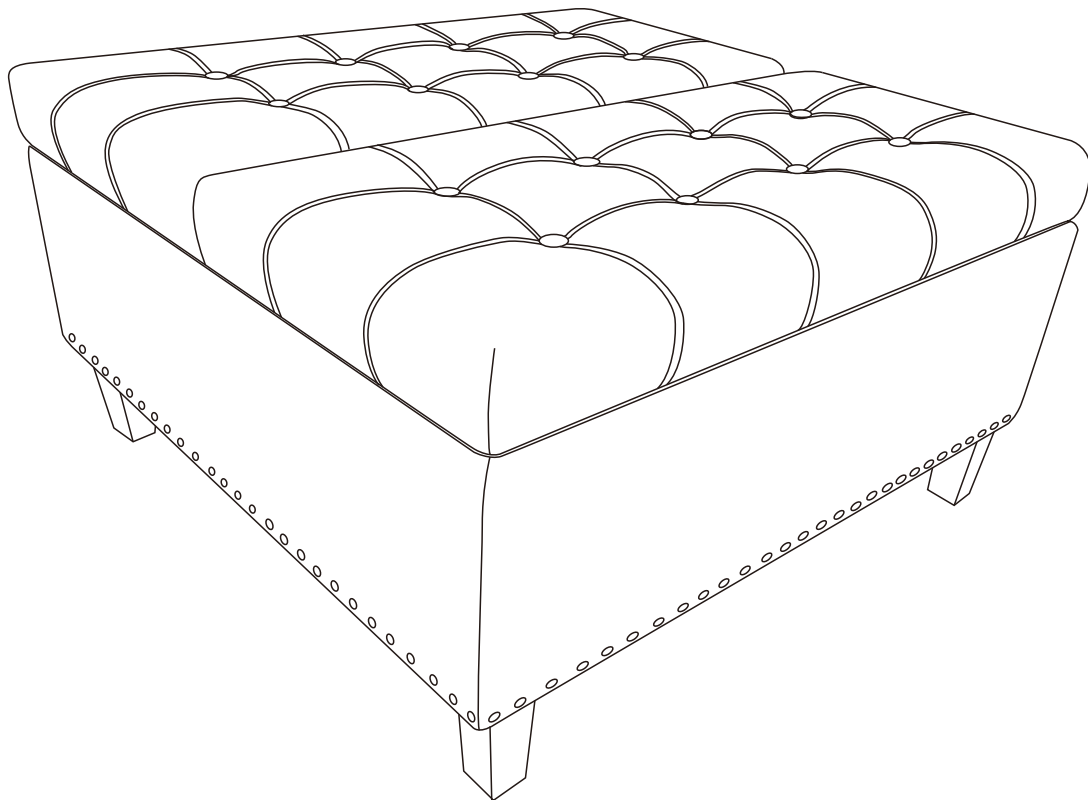

J1S018GR0M/J1S018BR0M/J1S018BS0M



As this item contains many parts, please read the installation instruction carefully before installation . Please use tools properly and carefully. If you have any questions about the product and installation, please contact us.

hosoteservice@gmail.com

Our professional after-sales team will serve you online all day.

Before You Start

- ✓ Read through each step carefully and follow the proper order
- ✓ Separate and count all your parts and hardware
- ✓ Give yourself enough room for the assembly process

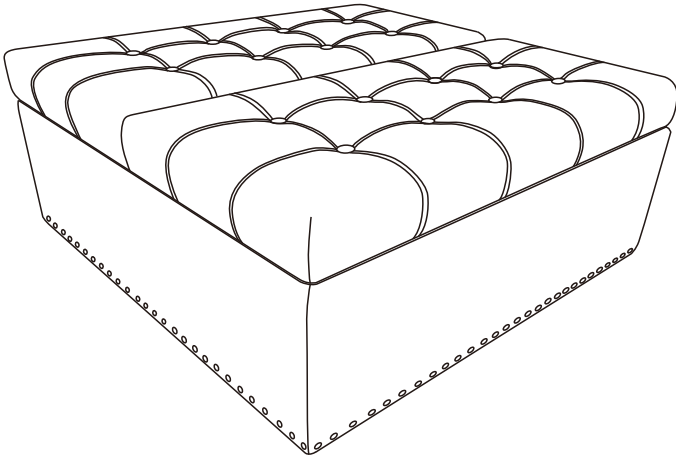
Helpful Hints

PEOPLE NEEDED FOR ASSEMBLY: 1-2

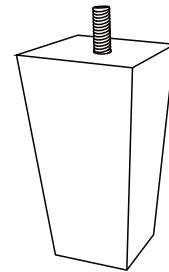
- Open your item in the area you plan to keep it to avoid excessive heavy lifting.
- Identify, sort and count the parts before attempting assembly.
- Do NOT use harsh chemicals or abrasive cleaners on this item.
- Never push, pull, or drag your furniture.



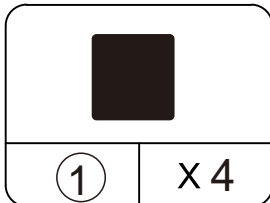
Part List



Ⓐ Ottoman
Qty: 1

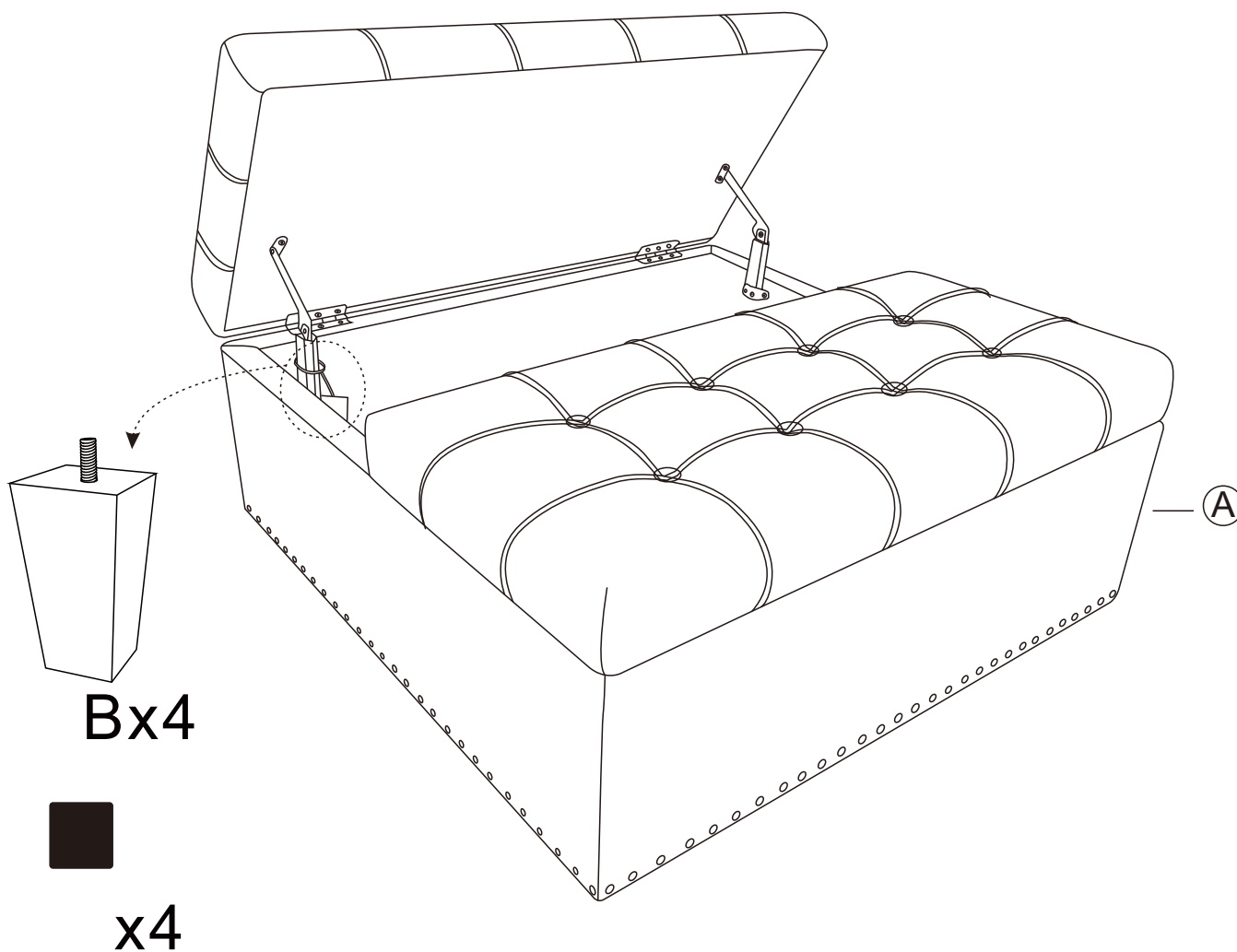


Ⓑ Wood Legs
Qty: 4



STEP 1

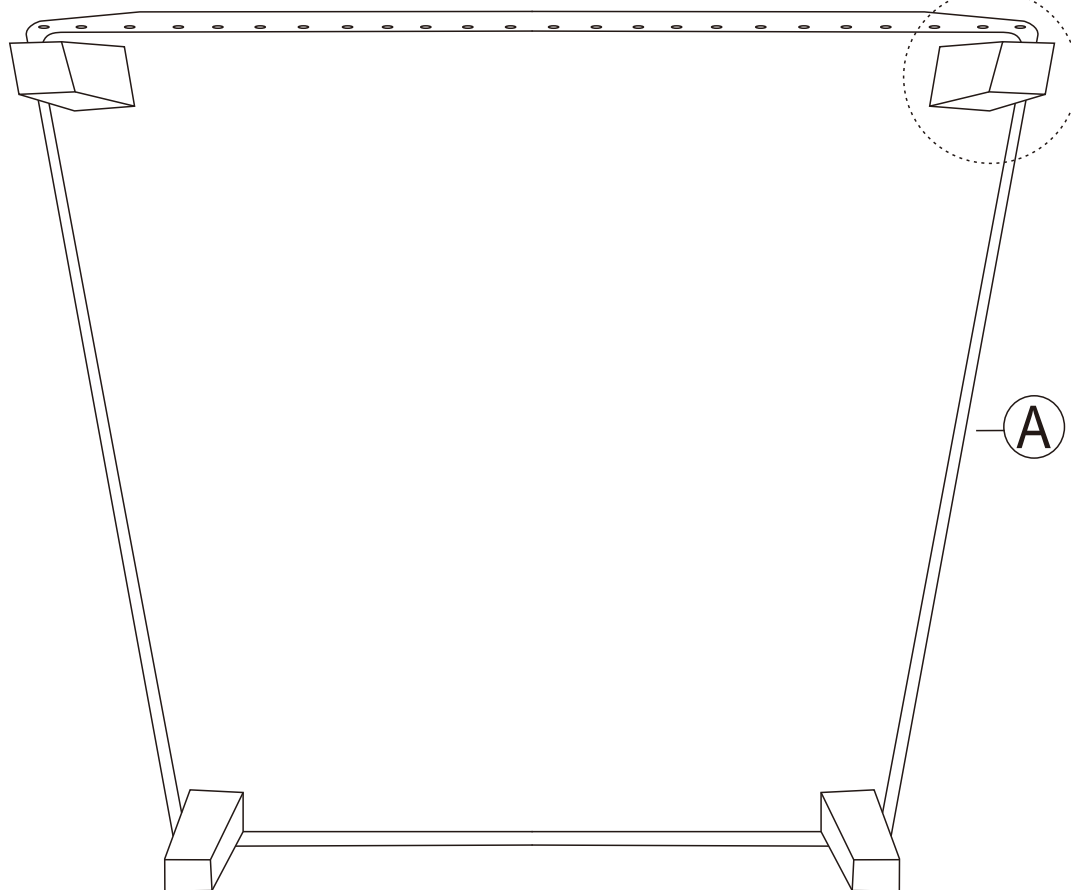
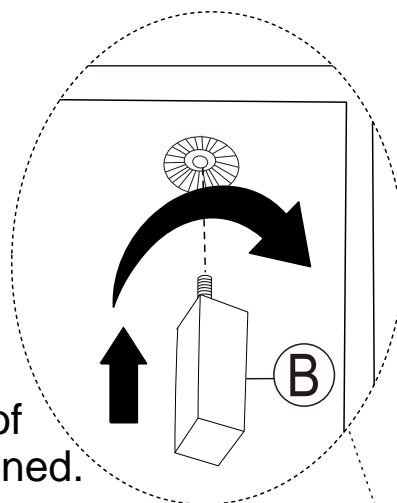
Please be careful when opening and closing the cover.



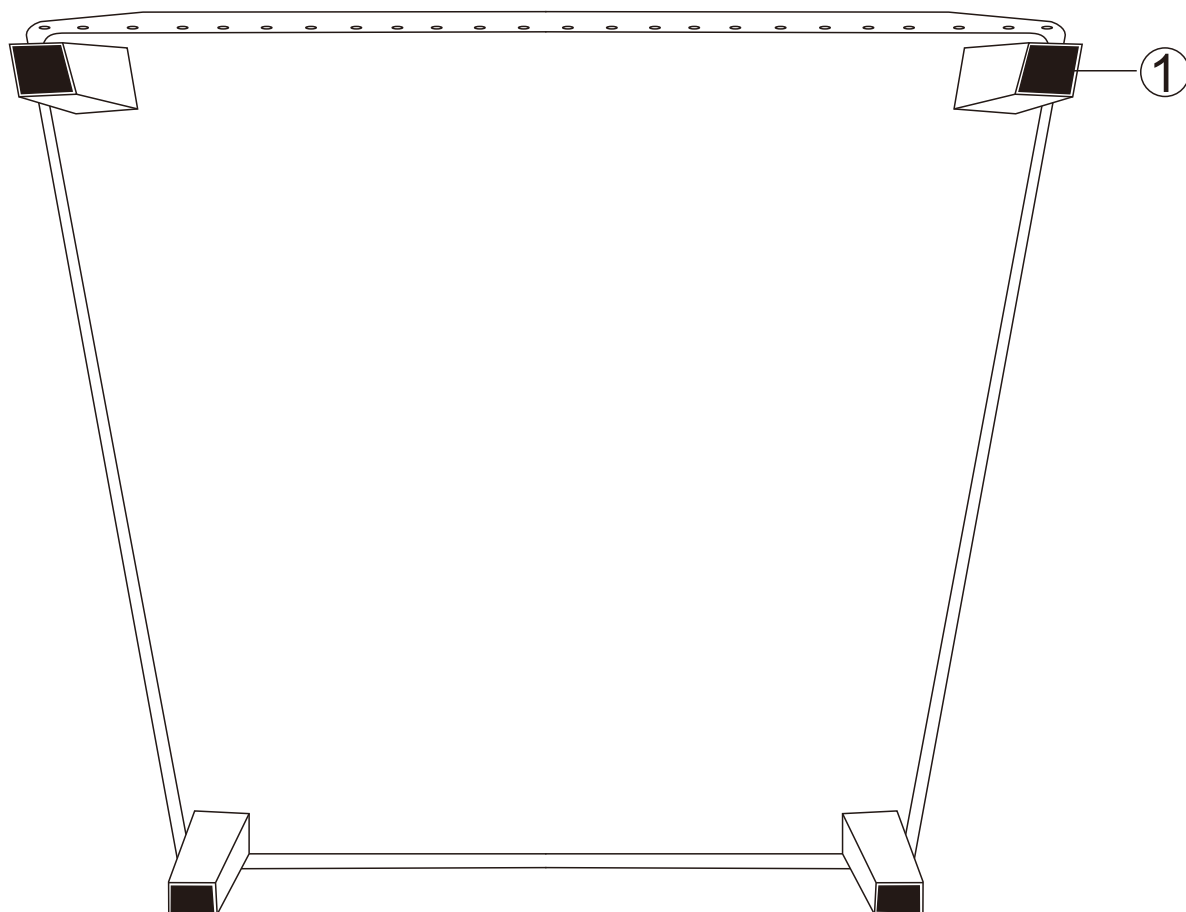
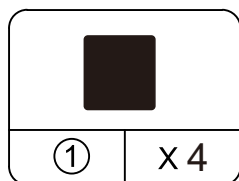
Open the cover and take out the wood legs and felt pads. Then close the cover and place the ottoman A upside down in a clean place.

STEP 2

Turn the screw on the wood legs B into the reserved screw hole on the bottom of the ottoman A until it is completely fastened.

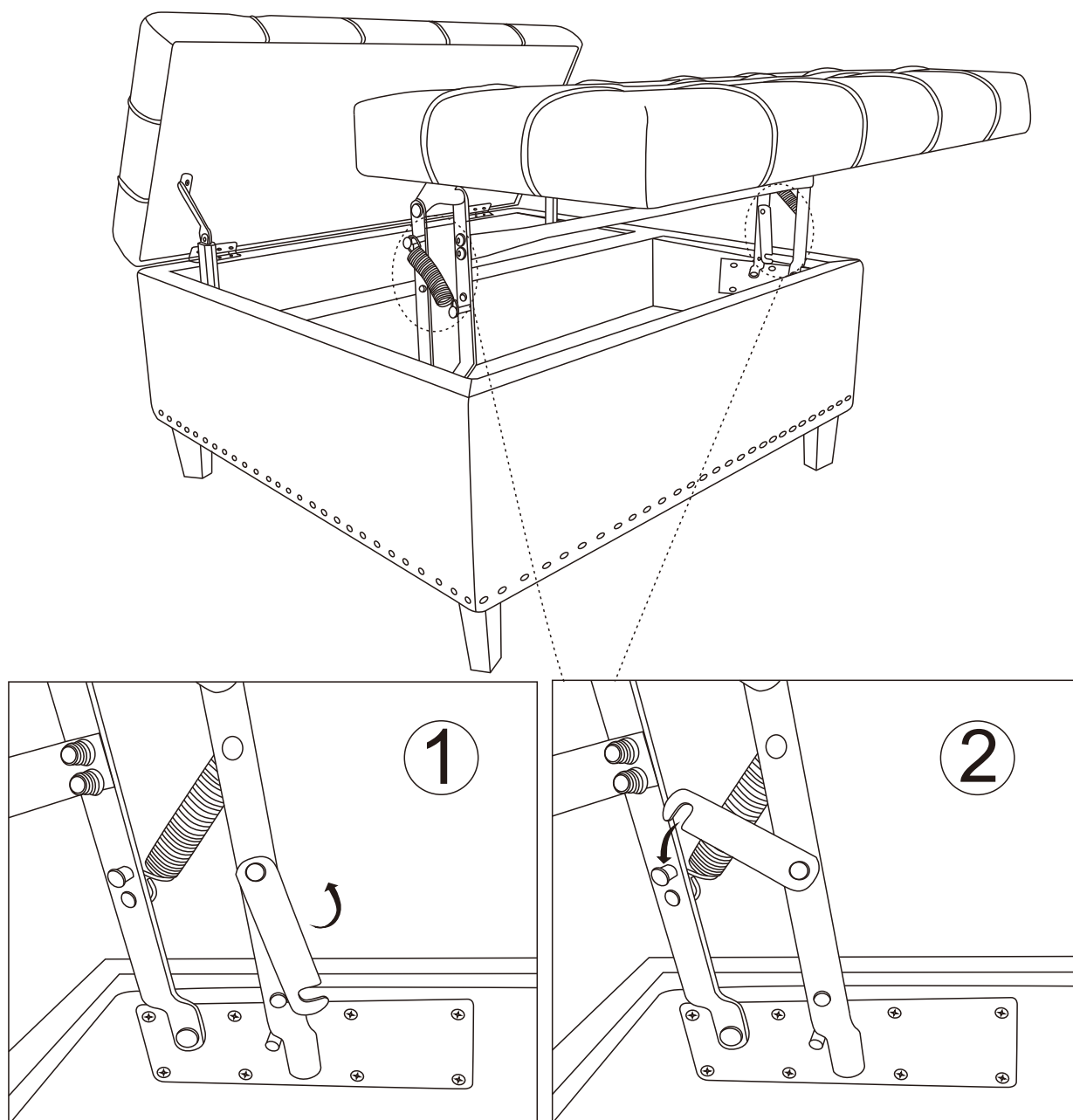


STEP 3



If the bottom of the chair is uneven,
please use this felt pad to adjust it !

STEP 4



Turn the assembled ottoman upright.
Please be careful when opening and closing the cover.
Rotate the clips to secure so that the cover is held in place.

