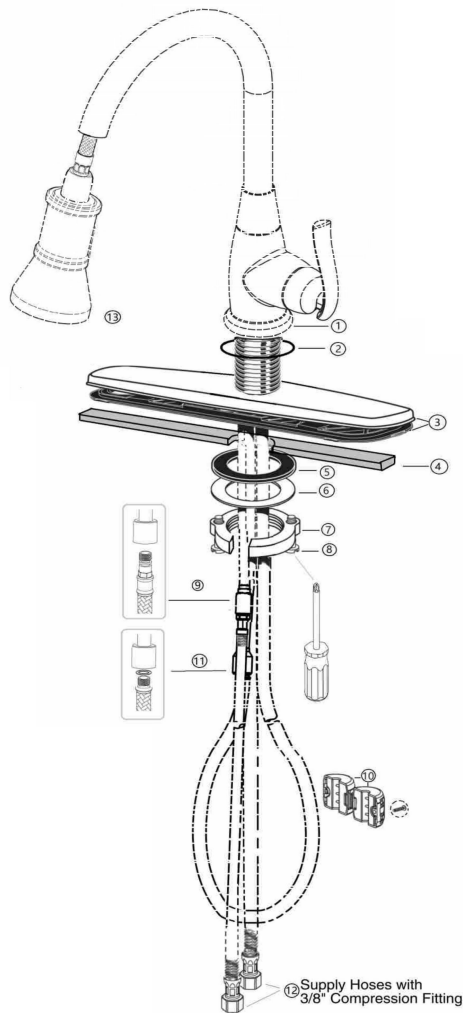
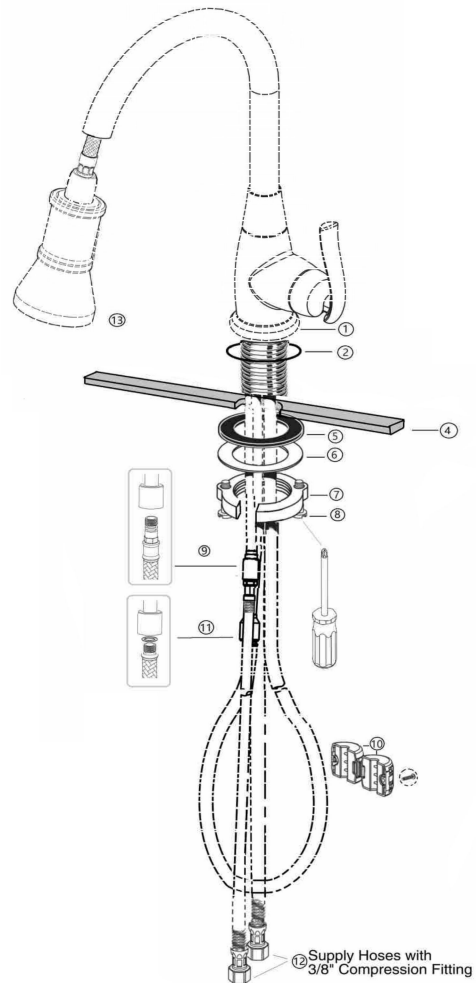


# Universal Installation Instruction

Pull out kitchen faucet



With plate cover



Without plate cover

**For easy installation of your faucet, please ensure the following:**

- Read thoroughly all the instructions before installing the faucet.
- Read and understand all warnings
- Check all the components in the package.

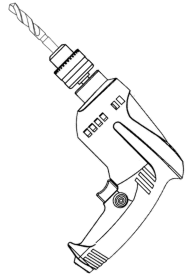
**PLEASE CAREFULLY READ THIS INSTRUCTIONS MANUAL BEFORE INSTALLING AND USING THE PRODUCT.**

**PLEASE KEEP THIS INSTRUCTION MANUAL FOR FUTURE REFERENCE REGARDING PRODUCT OPERATION AND MAINTENANCE.**

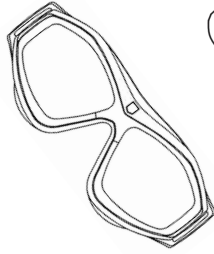
**Attention: Before you install the faucet,**

- 1) Please make sure the direction of the faucet should face to.
- 2) Please divided the hot water and cold water.
- 3) Please make sure you shut off the water supply.

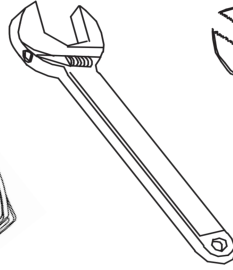
## Tools you may need.



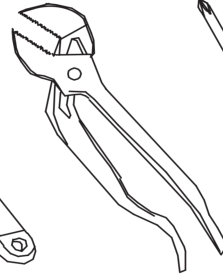
Electric drill



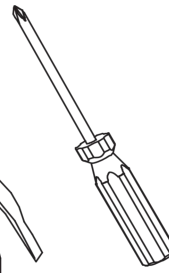
Safety goggles



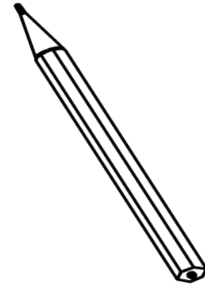
Adjustable wrench



Pliers



Screwdriver

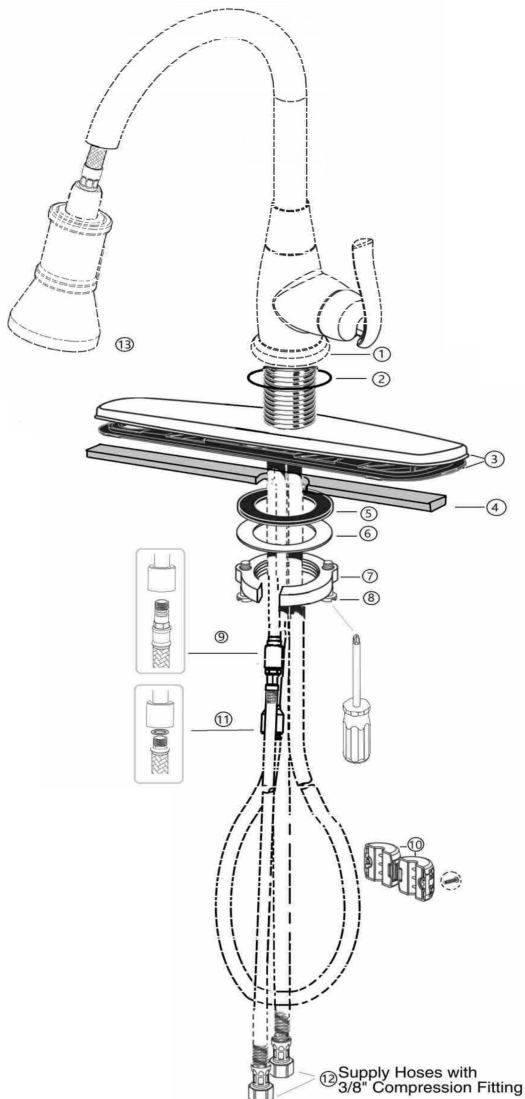


Pencil

## Cleaning and Care

Care should be exercised when cleaning this product. Although its finish is durable, it can be damaged from harsh abrasives and cleaning pads. To clean, use light, non-abrasive cleaning solution or cleaning polish.

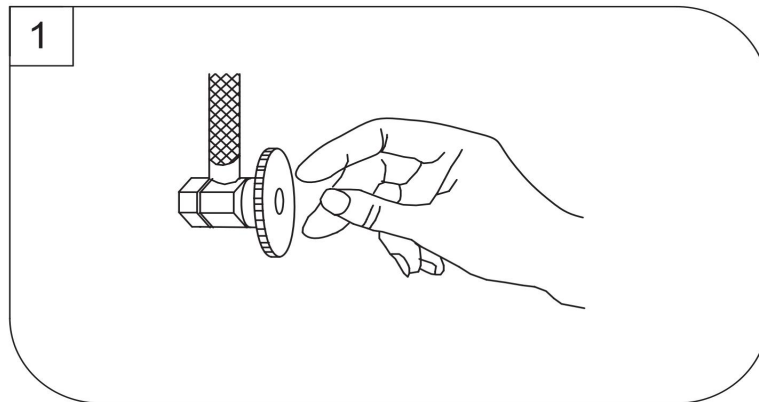
## Package contents:



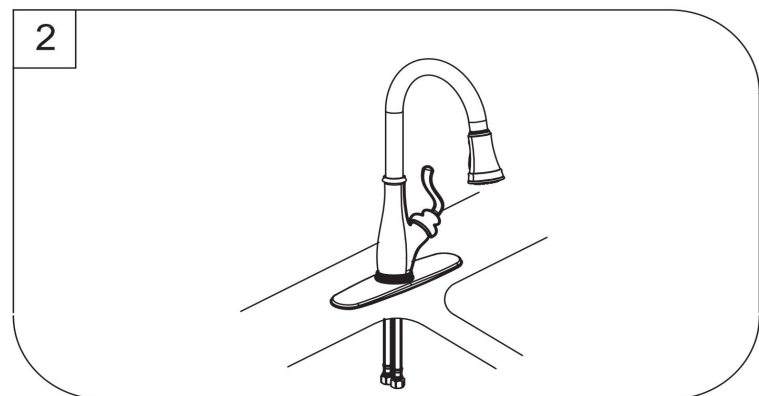
## Accessory list:

- 1) Mixer
- 2) O-ring
- 3) Plate (May do not include)
- 4) Countertop & sink (not included)
- 5) Washer
- 6) Washer
- 7) Lock nut
- 8) Screw
- 9) Inlet supply hose
- 10) Counter weight
- 11) Flexible spray hose
- 12) Flexible Supply hoses 2 pcs
- 13) Spray head

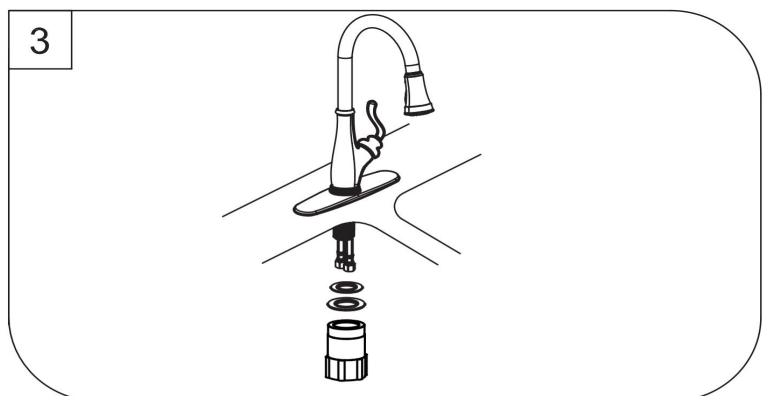
## Installation steps



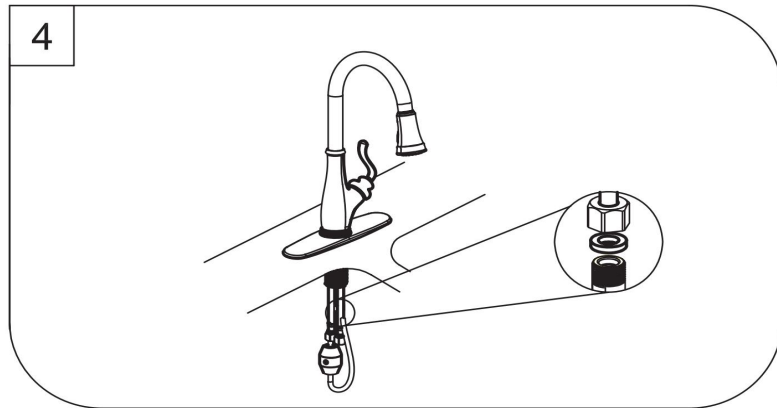
Shut off water supplies. Remove old faucet. Clean sink surface in preparation for new faucet.



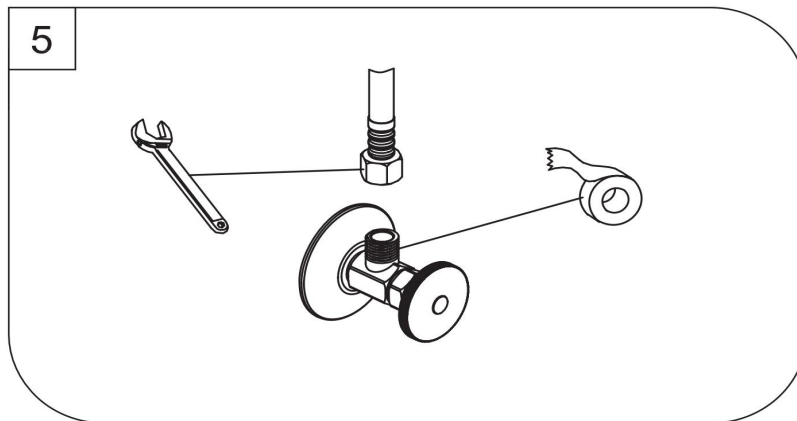
Place optional escutcheon on bottom of new faucet before position faucet through mounting hole.



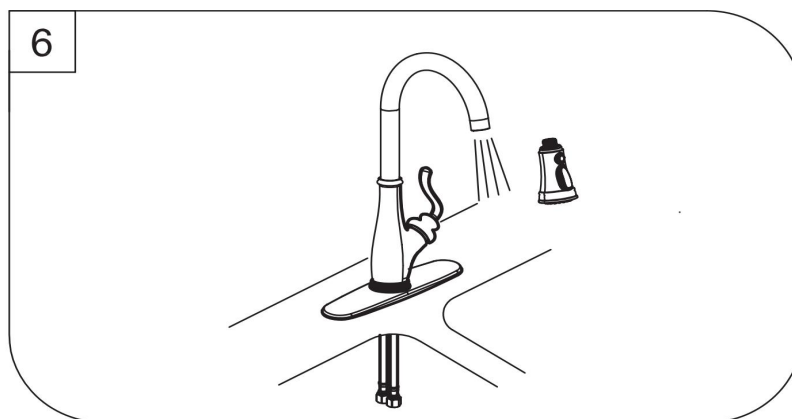
From under the sink, install the two rubber washers, and mounting nut onto the shank. Tighten the mounting nut.



Install counter weight onto pull out hose. Connect the pull out hose to water inlet tube. Be sure to install rubber washer. Do not overtight the connection.



Apply pipe tape onto threads of water supplies. Use wrench when tightening the hose connection, do not overtighten.



**NOTED:** After installation is completed. Turn on water supply and allow both hot and cold water to run for at least one minute each. While water is running, check for leaks. Reinstall Spray head. Your new faucet is now ready to use.

Note: 1. The "universal" is only for the codes as below:



F80026



F80024



F80027



F80105



F80099



F80006



F80300



F80080



F80032



F80075



F80002



F80408

Note 2: this is the only installation instruction, some of the component may be not included, please check the package carefully before you install the faucet.

Note 3: This instruction manual is written for universal use and may be subjected to specification variance of actual parts.