

Universal Installation Instruction

Lavatory Faucet

For easy installation of your faucet, please ensure the following:

- Read thoroughly all the instructions before installing the faucet.
- Read and understand all warnings
- Check all the components in the package.

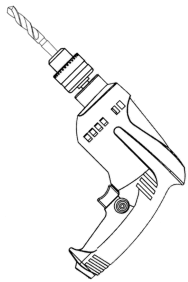
PLEASE CAREFULLY READ THIS INSTRUCTIONS MANUAL BEFORE INSTALLING AND USING THE PRODUCT.

PLEASE KEEP THIS INSTRUCTION MANUAL FOR FUTURE REFERENCE REGARDING PRODUCT OPERATION AND MAINTENANCE.

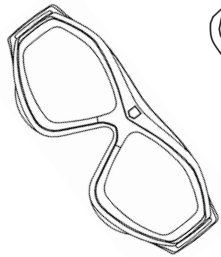
Attention: Before you install the faucet,

- 1) Please make sure the direction of the faucet should face to.
- 2) Please divided the hot water and cold water.
- 3) Please make sure you shut off the water supply.

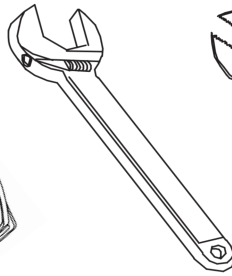
Tools you may need.



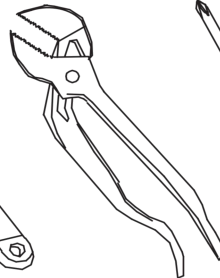
Electric drill



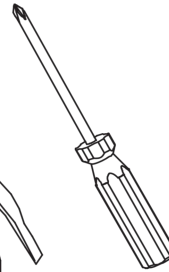
Safety goggles



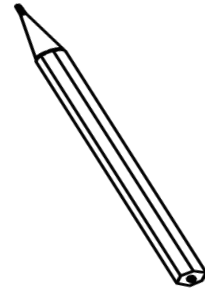
Adjustable wrench



Pliers



Screwdriver

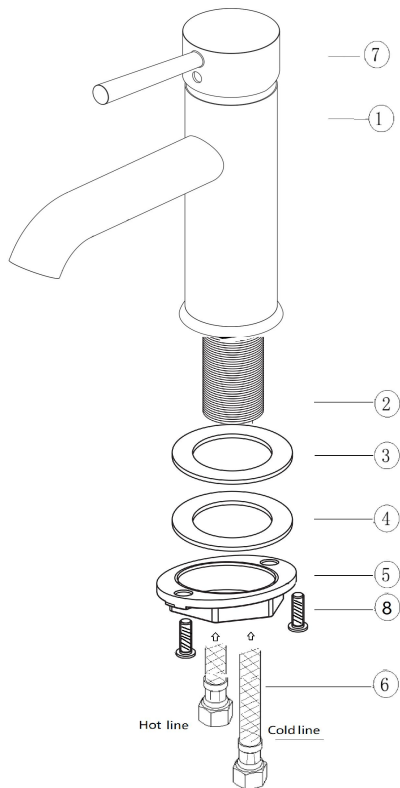


Pencil

Cleaning and Care

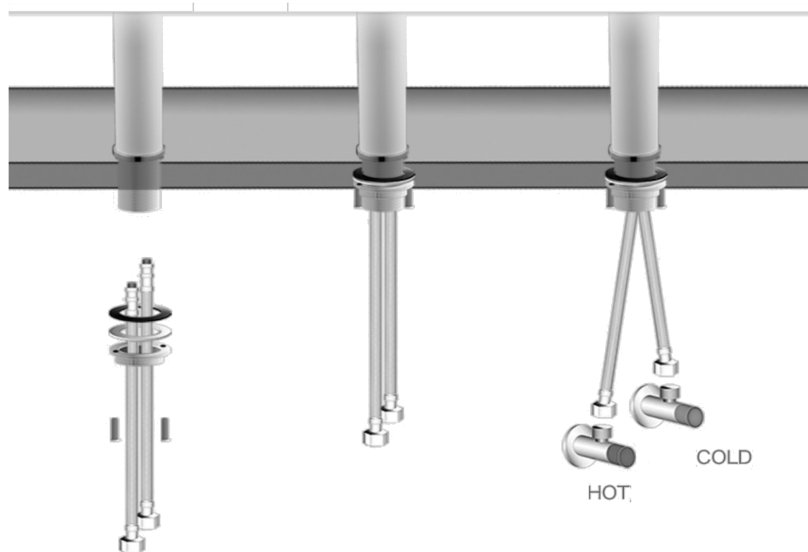
Care should be exercised when cleaning this product. Although its finish is durable, it can be damaged from harsh abrasives and cleaning pads. To clean, use light, non-abrasive cleaning solution or cleaning polish.

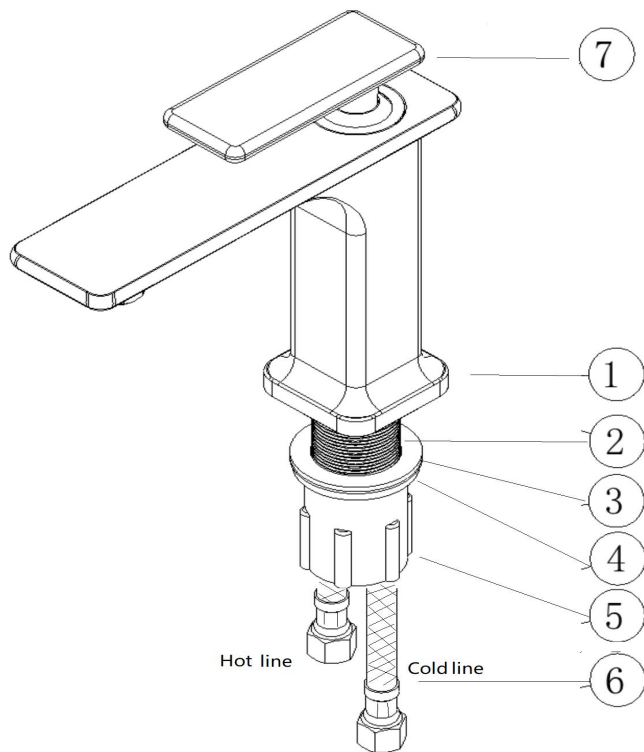
Lock nut style



- 1) Body
- 2) Thread tube
- 3) Soft Washer
- 4) Hard Washer
- 5) Lock nut
- 6) Inlet supply line 2 pcs
- 7) Handle

- 1 Remove the soft washer (3), hard washer(4) and lock nut(5) from the faucet thread tube(2).
- 2 Screw and **hand tighten** the hot and cold flexible hoses(6) to the faucet. **DO NOT** use a wrench to tighten hoses as this may damage the hose and/or the hose threads.
- 3 Install faucet through center hole of your basin or conter.
- 4 Re-install the soft washer(3) followed by the hard washer(4) and lock-nut(5).Hand tighten then tighten further using a screw driver to tighten lock-nut screws.
- 5 Use a screwdriver to tighten the screws(8).
- 6 Attach flexible hose to water supply.





Content:

- 1) Body
- 2) Thread tube
- 3) Soft Washer
- 4) Hard Washer
- 5) Lock nut
- 6) Inlet supply line 2 pcs
- 7) Handle

Big Lock nut stlye:

- 1 Remove the soft washer (3), hard washer(4) and lock nut(5) from the faucet thread tube(2).
- 2 Screw and **hand tighten** the hot and cold flexible hoses(6) to the faucet. DO NOT use a wrench to tighten hoses as this may damage the hose and/or the hose threads.
- 3 Install faucet through center hole of your basin or conter.
- 4 Re-install the soft washer(3) followed by the hard washer(4) and lock-nut(5).Hand tighten then tighten further using a screw driver to tighten lock-nut screws.
- 5 Attach flexible hose to water supply.

