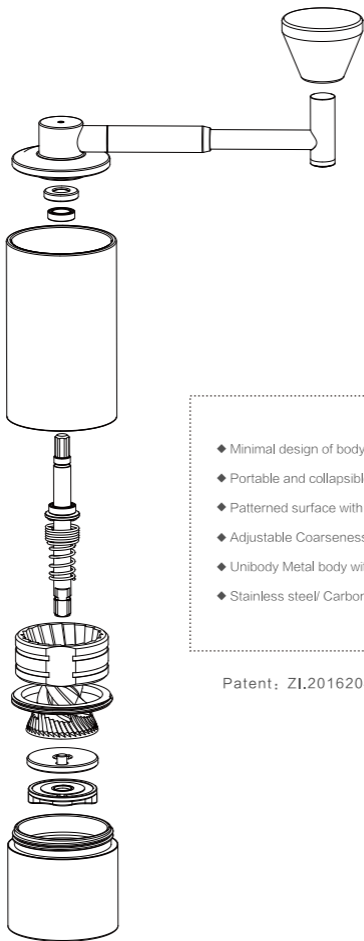


CHESTNUT

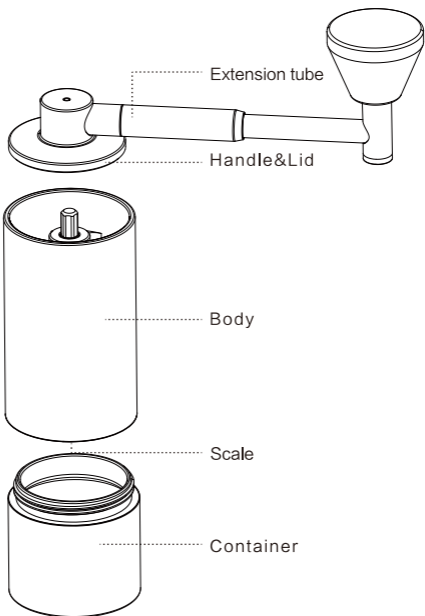
TIMEMORE CHESTNUT NANO SERIES
COFFEE GRINDER

User' s Manual



- ◆ Minimal design of body
- ◆ Portable and collapsible construction
- ◆ Patterned surface with easy hand grip
- ◆ Adjustable Coarseness Point to Point
- ◆ Unibody Metal body with High precision
- ◆ Stainless steel/ Carbon steel burrs

Patent: ZI.201620488714.6



BODY : Aluminum Alloy 6063

CONTAINER: Aluminum Alloy 6063

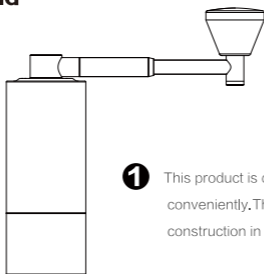
HANDLE: Austenitic stainless steel 17Cr18Ni9

CENTRAL AXLE: Austenitic stainless steel 17Cr18Ni9

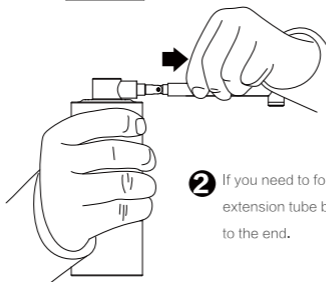
BURRS : Martensitic stainless steel 20Cr13 (Nano)

Free cutting structure steel 11SMnPb37 (NanoS)

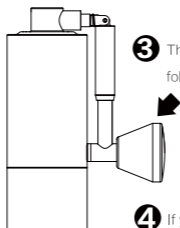
How to Fold



- 1** This product is designed to carry conveniently. There is a foldable construction in the handle.



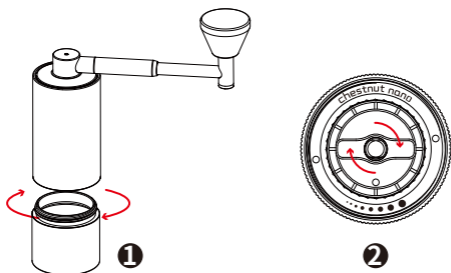
- 2** If you need to fold it, pull the extension tube backwards to the end.



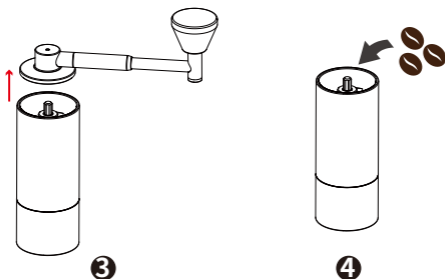
- 3** Then move the handle down to fold the handle.

- 4** If you need to unfold it, move the handle up. The extension tube will be locked automatically and ready for use.

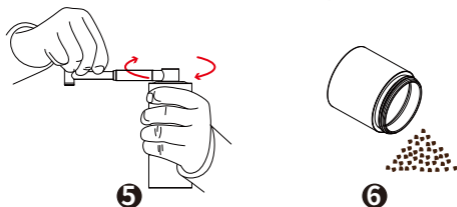
How to Grind



Pull out the container. Set up coarseness by turning the scale at the bottom of the body.



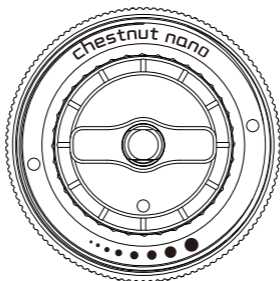
Fasten Body with the container. Then open the lid and pour coffee beans inside from the top of the grinder (less than 15g).



Hold the body and rotate the handle.

Pull out the container and pour the ground coffee after grind is finished.

How to Adjust



- ◆ Rotate clockwise for Finer grinding.
Rotate anti-clockwise for coarser grinding.
- ◆ Rotate clockwise to the end, this position is called START POINT.
- ◆ You can refer to the start point to adjust the Coarseness which you prefer.

ESPRESSO	10-14Clicks
POUR OVER	18-24Clicks
FRENCH PRESS	25-27Clicks

- ◆ The table above is for your reference only.
- ◆ **DO NOT try to grind coffee beans at the finest 0-6 clicks to protect the Burr sharpness.**
- ◆ Cover the lid before your adjust coarseness.

Caution

- ◆ The device is for grinding coffee beans only. DO NOT grind other material.
- ◆ It' s recommended to clean it with a brush. DO NOT wash it with water.
- ◆ Be careful of the sharp metal burrs.Keep kids from using it.
- ◆ Keep it in a cool and dry place.
- ◆ It' s not recommended that customers disassemble or replace any part of it.
- ◆ If you have any special requirement, kindly operate with the advice from related professional persons.

Troubleshooting

- ◆ Q: Why is the scale of the adjuster too loose to adjust the coarseness?

A: Because the spring or the burrs get stuck. Try to hold the body and shake the handle slightly till you hear a click, which means the spring or burrs are loose. If not, try to unscrew the lid above the bearing and take the whole burr set out. Clean the burr sets and install them.

We won' t take responsibility if customers are against these notifications above.

CHESTNUT

泰摩栗子NANO系列咖啡豆研磨器

TIMEMORE CHESTNUT NANO SERIES COFFEE GRINDER

TIMEMORE Coffee specializes in
original specialty coffee equipment.
With Philosophy of Profession and
Aesthetics Create valuable coffee equipment
Let's enjoy slow living with more time

CONTACT

✉ info@timemore.com

www.timemore.com



@TIMEMORECOFFEE