

## POE-SW716GM-10G

Industrial 16-Port Full Gigabit L3 Managed PoE Switch with 4-Port 10G Uplink SFP+



### Outstanding Features

- 16\*10/100/1000Base-T PoE RJ45 ports
- 4\*1000M/10G Base-X SFP ports (Mini-GBIC)
- 1\*RJ45-R232 serial port (115200,8, N,1)
- Redundant power supply
- Support Mode A PoE outputs only
- -40~75°C working temperature, 6kV surge immunity
- 8kV contact discharge,15kV air discharge ESD protection
- Relay Alarm for power failure, cable link down, and PoE link down
- IP 40 Fan-less metal shell design
- DIN-rail or wall-mounted installation
- 802.1Q VLAN, 802.1P QoS, SNMP, IPv6
- Fast-Ring, self-healing in 20ms
- One-key smart mode: CCTV, LOCK, RING, ONLINE

## Specification

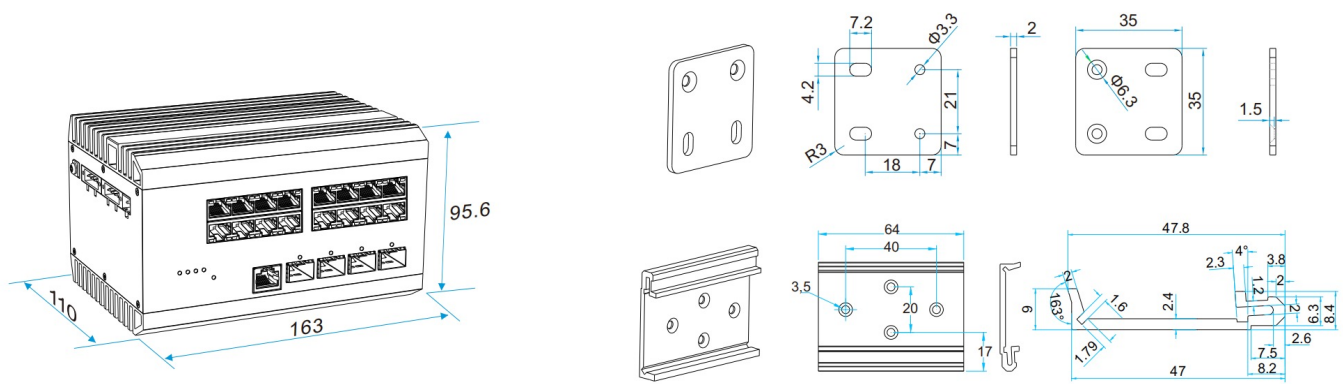
<b>Ethernet Ports</b>	
Downlink Ports	16*10/100/1000 Base-T PoE RJ-45(Auto- MDI/MDI-X)
Uplink Ports	4*1000/10G Base-X SFP
Console Port	1*RJ-45 to RS-232 console port (115200,8,N,1)
<b>PoE</b>	
PoE Standard	IEEE 802 .3af/at ( PSE )
PoE Power Supply Type	End-span
PoE Pin Assignment	1/2(+), 3/6(- )
PoE Power Output	46~55V DC
PoE Power	30W max for each port, 360W max
<b>Switch Property</b>	
Standards	IEEE 802 .3, IEEE 802 .3u, IEEE 802 .3ab, IEEE 802 .3z, IEEE 802 .3x, IEEE 802 . 1Q, IEEE 802 . 1p, IEEE 802 .3ad, IEEE 802 . 1D, IEEE 802 . 1x
Forwarding Modes	Store and Forward
Packet Buffer	12Mbit
MAC Table	16k, supported auto learning
Switching Capacity	112Gbps / non- blocking
Packet Forwarding Rate	83 .3Mpps
Jumbo Frame	9kB
<b>Power Supply</b>	
Input Voltage	Power 1 (Main): 48~57V DC , Power 2 (Backup): 48~57V DC
Power Consumption	380W (Full load including PoE)
<b>Reliability</b>	
Surge Immunity	6kV, Standard: IEC6000-4-5
ESD Protection	8kV Contact Discharge, 15kV Air Discharge, Standard: IEC61000-4-2
MTBF	295040h
MTBF Standards	Telcordia SR-332, 25°C
Operating Temperature	-40°C~75°C
Storage Temperature	-40°C~85°C
Operating Humidity	5%~95% (Non-condensation)
<b>Physical Parameter</b>	
Led Indicators	2* power supply indicators 1* system working indicator 1* alarm indicator
Init Button	Short press to restart the switch, long press > 5s to initialise the system
Dimensions (W*D*H)	163mm*110mm*95 .6mm
Net Weight	1730g±20g
Material	Metal shell
Installation	Desktop/DIN- rail/wall mounted
Certifications	
Certifications	CE , FCC

## Specification

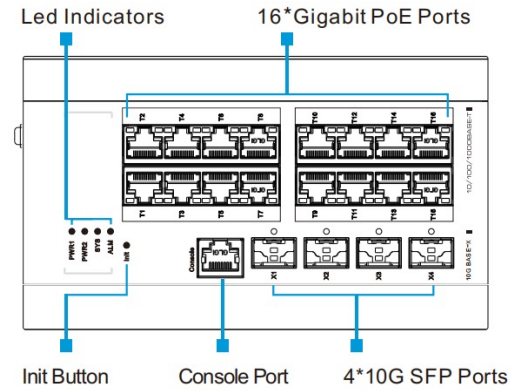
<b>System State</b>	
	<ul style="list-style-type: none"> <li>•Device Name</li> <li>•MAC Address</li> <li>•Firmware Version</li> <li>•Hardware Version</li> <li>•System Time</li> <li>•Update Time</li> <li>•Memory Information</li> <li>•CPU Information</li> </ul>
System Status	
Traffic Statistics	<ul style="list-style-type: none"> <li>•Sent Frame Statistics</li> <li>•Received Frame Statistics</li> </ul>
MAC Address Table	<ul style="list-style-type: none"> <li>•MAC Address Table</li> <li>•Sort Type</li> </ul>
<b>Port Configuration</b>	
Port Setting	<ul style="list-style-type: none"> <li>•Port State</li> <li>•Port Speed</li> <li>•Duplex Mode</li> <li>•Traffic Control</li> <li>•Port Range</li> </ul>
Rate Limit	<ul style="list-style-type: none"> <li>•Enable and Disable</li> <li>•Port Range</li> <li>•Input Speed Limit</li> <li>•Output Speed Limit</li> </ul>
Storm Control	<ul style="list-style-type: none"> <li>•Port Range</li> <li>•Broadcast Storm</li> <li>•Multicast Storm</li> <li>•Unknown Unicast Storm</li> </ul>
Port Isolation	<ul style="list-style-type: none"> <li>•Port Isolation Or Normal</li> <li>•Port Range</li> </ul>
PoE Setting	<ul style="list-style-type: none"> <li>•Power Setting</li> <li>•Power Status</li> <li>•Port Status and Control</li> </ul>
<b>Ethernet Switch</b>	
Link Aggregation	<ul style="list-style-type: none"> <li>•Aggregated Load Pattern Setting</li> <li>•Trunk Name</li> <li>•Aggregation Pattern Setting</li> <li>•Port Range</li> </ul>
802.1Q VLAN	<ul style="list-style-type: none"> <li>•Port Range</li> <li>•Link Type</li> <li>•PVID</li> <li>•VLAN-allowed</li> <li>•VLAN-untagged</li> </ul>
802.1P QoS	<ul style="list-style-type: none"> <li>•Enable and Disable</li> <li>•QoS Priority</li> <li>•802.1p QoS Setting</li> <li>•802.1p Mark Range</li> <li>•802.1p Priority</li> </ul>
<b>IP Service</b>	
Interface IP	<ul style="list-style-type: none"> <li>•Network Interface(VID)</li> <li>•Static IP</li> <li>•IPv4 Address</li> <li>•IPv6 Address</li> </ul>
DHCP Server	<ul style="list-style-type: none"> <li>•Client Lease Time</li> <li>•Preferred DNS Address</li> <li>•Backup DNS Address</li> <li>•WINS Server</li> <li>•Network Interface(VID)</li> <li>•Default Gateway</li> <li>•Start IP Address</li> <li>•Max Client Number</li> </ul>
<b>IP Routing</b>	
RIP	<ul style="list-style-type: none"> <li>•Enable and Disable</li> </ul>

<b>Security</b>	
Static Address Lock	<ul style="list-style-type: none"> <li>•Enable and Disable</li> <li>•MAC Address,VLAN ID, Port</li> </ul>
<b>Reliability</b>	
	<ul style="list-style-type: none"> <li>•Enable and Disable</li> <li>•STP Version</li> <li>•Device Priority</li> <li>•Message Sending Period</li> <li>•Message Maximum Lifetime</li> <li>•Port State Transition Delay</li> <li>•This Bridge Update Message</li> <li>•Modify Configuration</li> </ul>
Rapid Spanning Tree	<ul style="list-style-type: none"> <li>•Enable and Disable</li> <li>•Fast-Ring Network Group 1</li> <li>•Fast-Ring Network Group 2</li> </ul>
Fast-Ring Protect	<ul style="list-style-type: none"> <li>•Enable and Disable</li> <li>•Protect Automatic Recovery</li> <li>•Disable Loop Port Time</li> <li>•Port Range</li> <li>•Port Loop Detection</li> </ul>
Loopback Protect	<ul style="list-style-type: none"> <li>• Ring Number</li> <li>• East Interface</li> <li>• West Interface</li> </ul>
ERPS Ring	
ERPS Instance	<ul style="list-style-type: none"> <li>• EPRS Instance Name</li> <li>• ERPS Instance ID</li> <li>• ERPS Ring Level</li> <li>• RAPS VLAN</li> <li>• Owner Interface</li> <li>• Subring Block</li> <li>• Associated Instance</li> </ul>
VRRP Setting	<ul style="list-style-type: none"> <li>•VRID</li> <li>•VLAN Interface</li> <li>•Priority</li> <li>•Preemption Mode</li> <li>•Preemption Delay</li> <li>•Authentication Method</li> <li>•Authentication Word</li> <li>•Virtual IP</li> </ul>
<b>Alarm Management</b>	
Alarm Host	<ul style="list-style-type: none"> <li>•Power Supply</li> <li>•Port Network</li> <li>•Port PoE</li> </ul>
<b>System Management</b>	
Port Mirroring	<ul style="list-style-type: none"> <li>•Enable and Disable</li> <li>•Monitor Port</li> <li>•Mirror Port Range</li> <li>•Collect Data</li> </ul>
SNMP	<ul style="list-style-type: none"> <li>•Enable and Disable</li> <li>•SNMP Gateway</li> <li>•SNMP Version</li> <li>•Read-only Group Name</li> <li>•Read and Write Group Name</li> <li>•SNMPV3:User Name, Read And Write Mode</li> <li>Identity Authentication, Verify Password, Encryption Protocol, Encryption Password</li> </ul>
	<ul style="list-style-type: none"> <li>•Local Time</li> <li>•World Time Zone</li> <li>•Automatically Adjust Daylight Saving Time</li> <li>•Using NTP</li> <li>•NTP Server</li> <li>•System Time</li> <li>•PC Time</li> </ul>

## Dimensions (mm)



## Front Panel



## Left Side Panel

