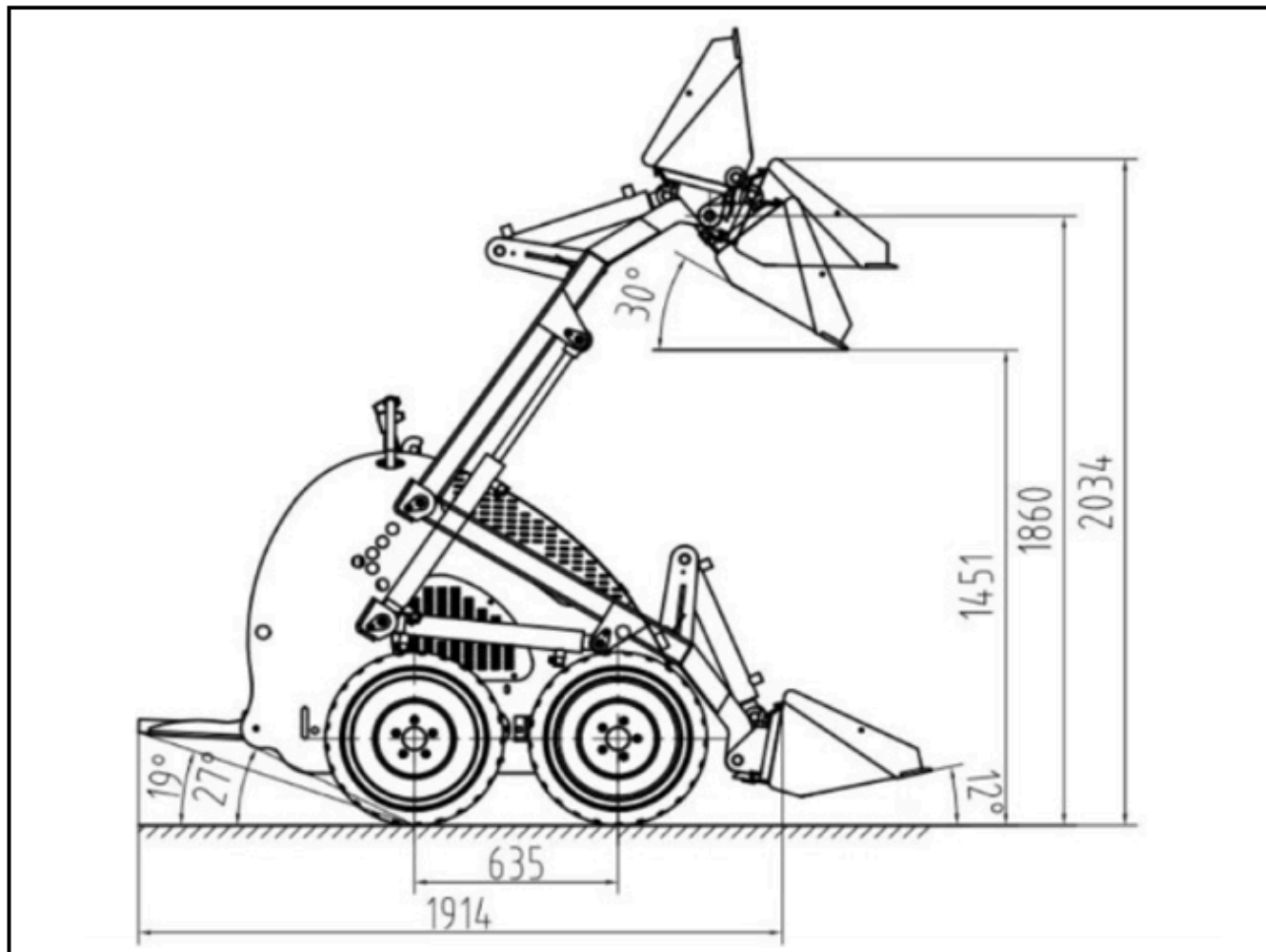


Skid Steer Loader Specifications

Model	
Brand	Rhinoceros
Model	ML300
Operating weight	300 kg
Engine	Briggs and Stratton Vanguard
Rated power	17.2 kw / 3600 rpm
Displacement	627cc
Number of cylinders	2
Fuel Type	Petrol
Max Electrical voltage	12v
Working system flow rate	58 L/min
Hydraulic system working pressure	180 bar
Hydraulic system flow rate	58L/Min
Travel speed	6 kph
Fuel tank capacity	23L
Hydraulic reservoir	30L

VANGUARD**23.0 Gross HP**

Operating Parameters	Unit mm
Front turning radius without bucket	801
Front turning radius	1282
Tread width centre line	960
Roll back of bucket on ground	26°
Roll back of bucket full height	114°
Dumping height	1515
Dumping reach	545



Overall Dimensions	Unit mm
Operating Height	2452
Height to top	1370
Overall length without bucket	1740
Overall width	1150
Angle of departure	30°
Height of bucket to hinge pin	1914
Overall length with GP Bucket	2170
Wheel base	657
Min ground clearance	140
Rated loading capacity	300kg